



US00D923743S

(12) **United States Design Patent** (10) **Patent No.:** **US D923,743 S**
Freeland et al. (45) **Date of Patent:** **** Jun. 29, 2021**

- (54) **TELESCOPIC FLYSWATTER**
- (71) Applicants: **Brian Freeland**, Chandler, AZ (US);
Robert Vasquez, Gilbert, AZ (US)
- (72) Inventors: **Brian Freeland**, Chandler, AZ (US);
Robert Vasquez, Gilbert, AZ (US)
- (**) Term: **15 Years**
- (21) Appl. No.: **29/726,681**
- (22) Filed: **Mar. 5, 2020**
- (51) **LOC (13) Cl.** **22-06**
- (52) **U.S. Cl.**
USPC **D22/124**
- (58) **Field of Classification Search**
USPC D22/124, 120; 43/112, 137; D21/725,
D21/729
CPC A01M 29/34
See application file for complete search history.

(56) **References Cited**

U.S. PATENT DOCUMENTS

198,245 A *	12/1877	Kelly	43/137
D92,877 S *	7/1937	Bennett	D22/124
2,488,317 A *	11/1949	Murray	A01M 3/02 43/137
D167,658 S	9/1952	Roop	
D266,689 S	10/1982	Seidel	
4,674,227 A *	6/1987	Maier	A01M 3/02 43/137
5,351,436 A *	10/1994	Spalding	A01M 3/02 43/137
D415,814 S	10/1999	Re	
D532,480 S *	11/2006	Garcia	D22/124
D712,004 S	8/2014	Palmer	
D807,469 S	1/2018	Amash	
D823,982 S	7/2018	Amash	
D875,878 S	2/2020	Bibeau	

OTHER PUBLICATIONS

Stop sign Flyswatter, AnyPromo.com...https://www.anypromo.com/auto/hand-tools/stop-sign-flyswatter-p611996?utm_source=google

&utm_medium=PLA&g=1&calltrk=1&gl=1&glppc=2&gclid=EAlalQobChMlqKzn3-S68AIVmbjlCh3jigbCEAQYBiABEgKmfD_BwE (Year: 2021).*

U.S. Trademark Registration No. 87561976; Mark—Shawshank Ledz Filing date: Aug. 9, 2017 Registration date: Feb. 27, 2018. “Large Extendable Fly Swatter” by Tatuio, Found Online on Jan. 29, 2020 https://images-na.ssl-images-amazon.com/images/I/71RVkemk%2BaL._AC_SL1500_.jpg. “Extendable Fly Swatter” by Tatuio, Found Online on Jan. 29, 2020 https://images-na.ssl-images-amazon.com/images/I/61JlNr9MdL._AC_SL1500_.jpg. “Fly Swatter” by OFXDD, Found Online on Mar. 20, 2020 https://images-na.ssl-images-amazon.com/images/I/81M3nQJQ-BL._AC_SL1500_.jpg. “Extendable Fly Swatter” by Shawshank Ledz, Found Online on Jul. 20, 2020 <https://shawshankledz.com/wp-content/uploads/2018/11/702170-1-600x600.jpg>. “Extendable Big Hand Fly Swatter” by Shawshank Ledz, Found Online on Jul. 20, 2020 <https://shawshankledz.com/wp-content/uploads/2018/11/702593-600x600.jpg>.

* cited by examiner

Primary Examiner — Catherine R Oliver-Garcia
(74) *Attorney, Agent, or Firm* — LegalForce RAPC Worldwide

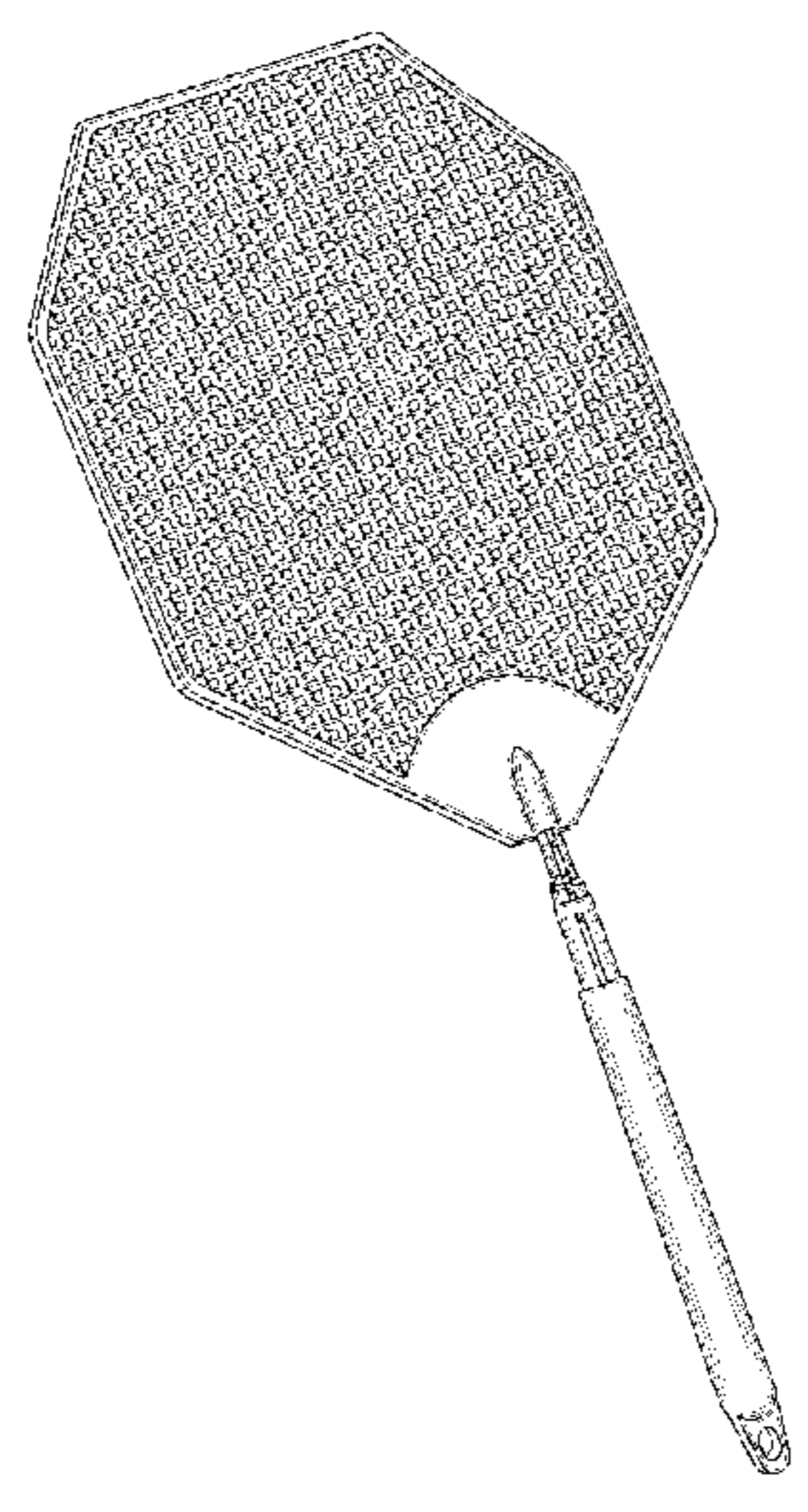
(57) **CLAIM**

The ornamental design for a telescopic flyswatter, as shown and described.

DESCRIPTION

FIG. 1 is a front left side perspective view for a telescopic flyswatter, showing our new design; FIG. 2 is a rear right side perspective view of FIG. 1 thereof; FIG. 3 is a front elevational view of FIG. 1 thereof; FIG. 4 is a rear elevational view of FIG. 1 thereof; FIG. 5 is a left side elevational view of FIG. 1 thereof, the right side elevational view being a mirror image; and, FIG. 6 is a rear right side perspective view of telescopic flyswatter, with handle in extended configuration thereof.

1 Claim, 6 Drawing Sheets



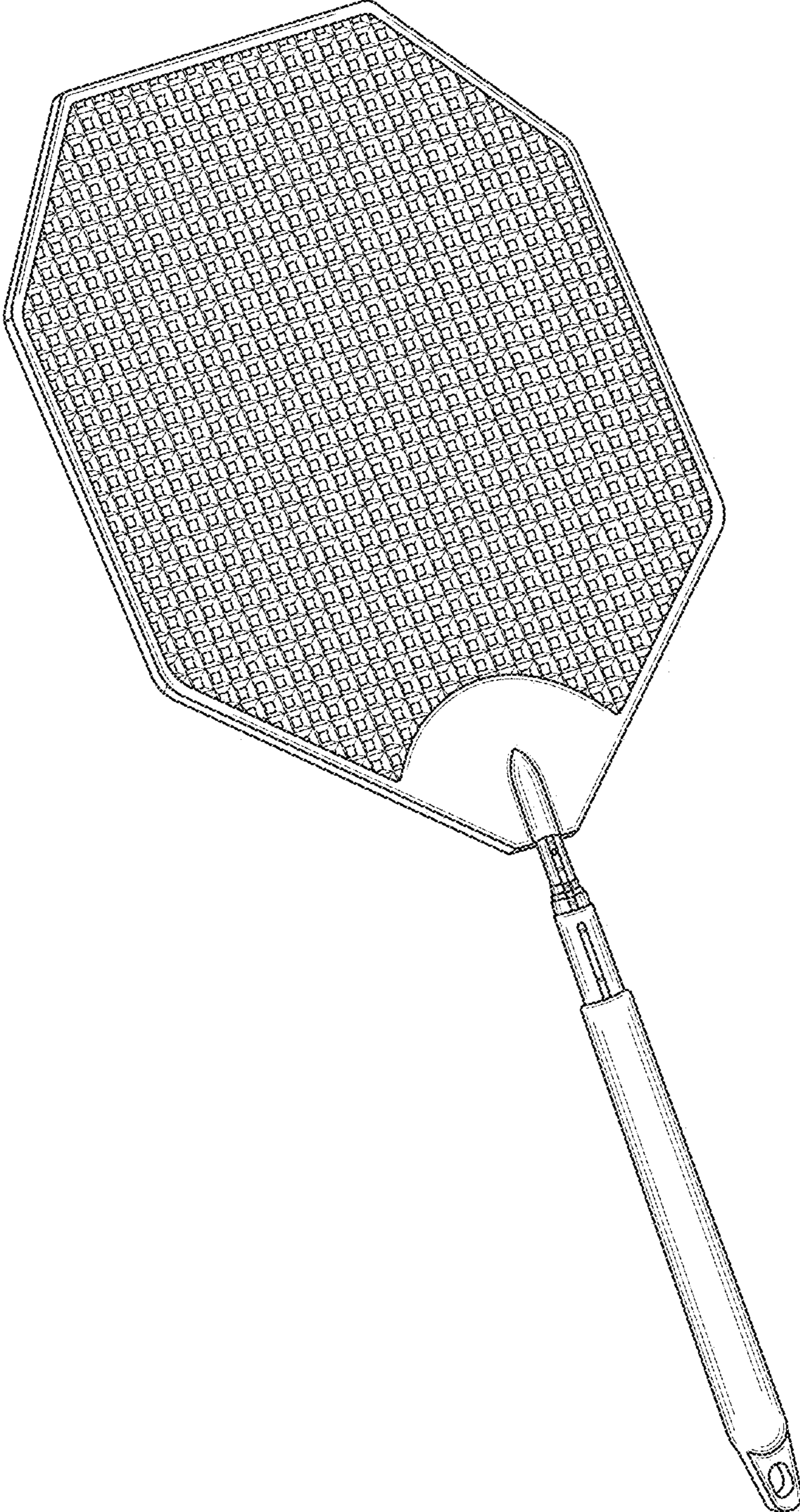


FIG. 1

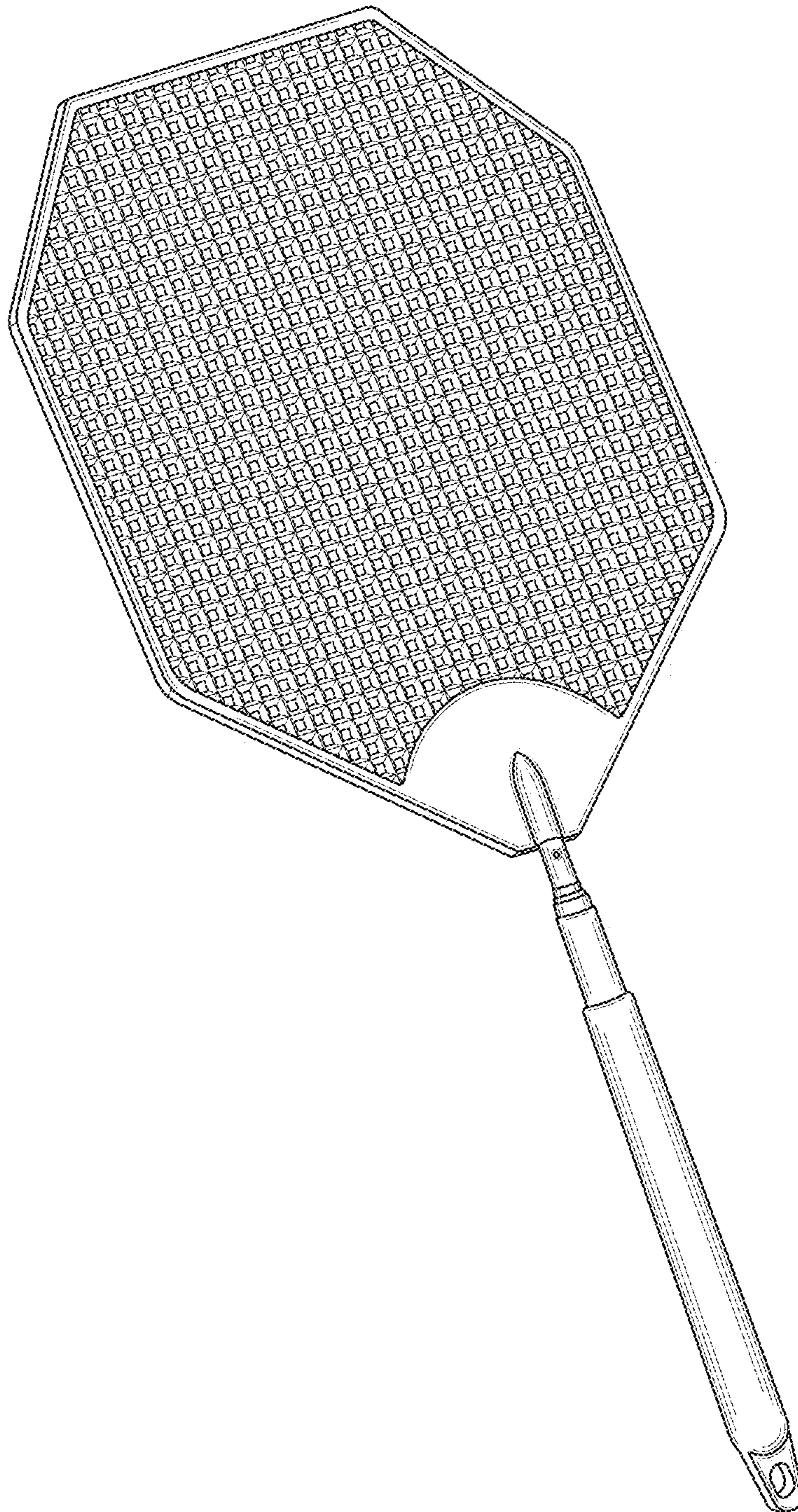


FIG. 2

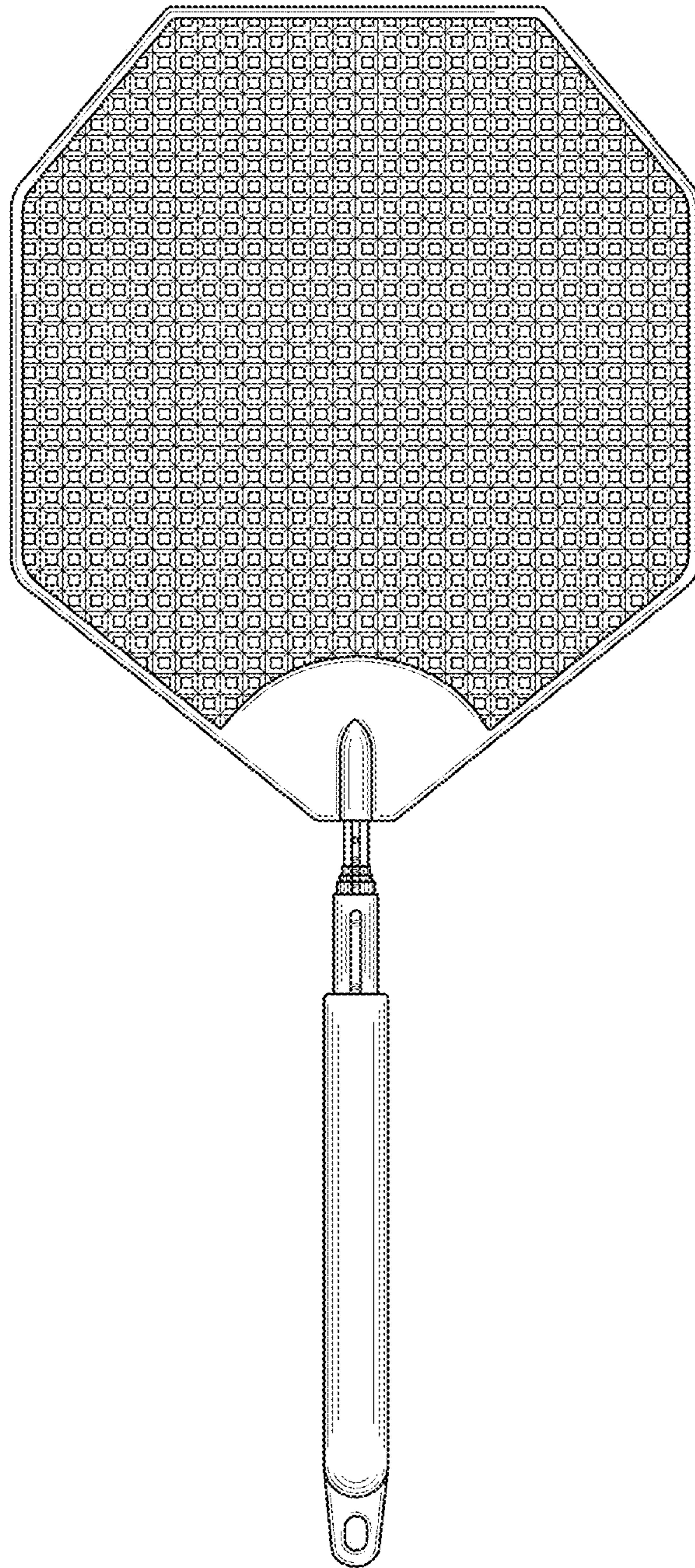


FIG. 3

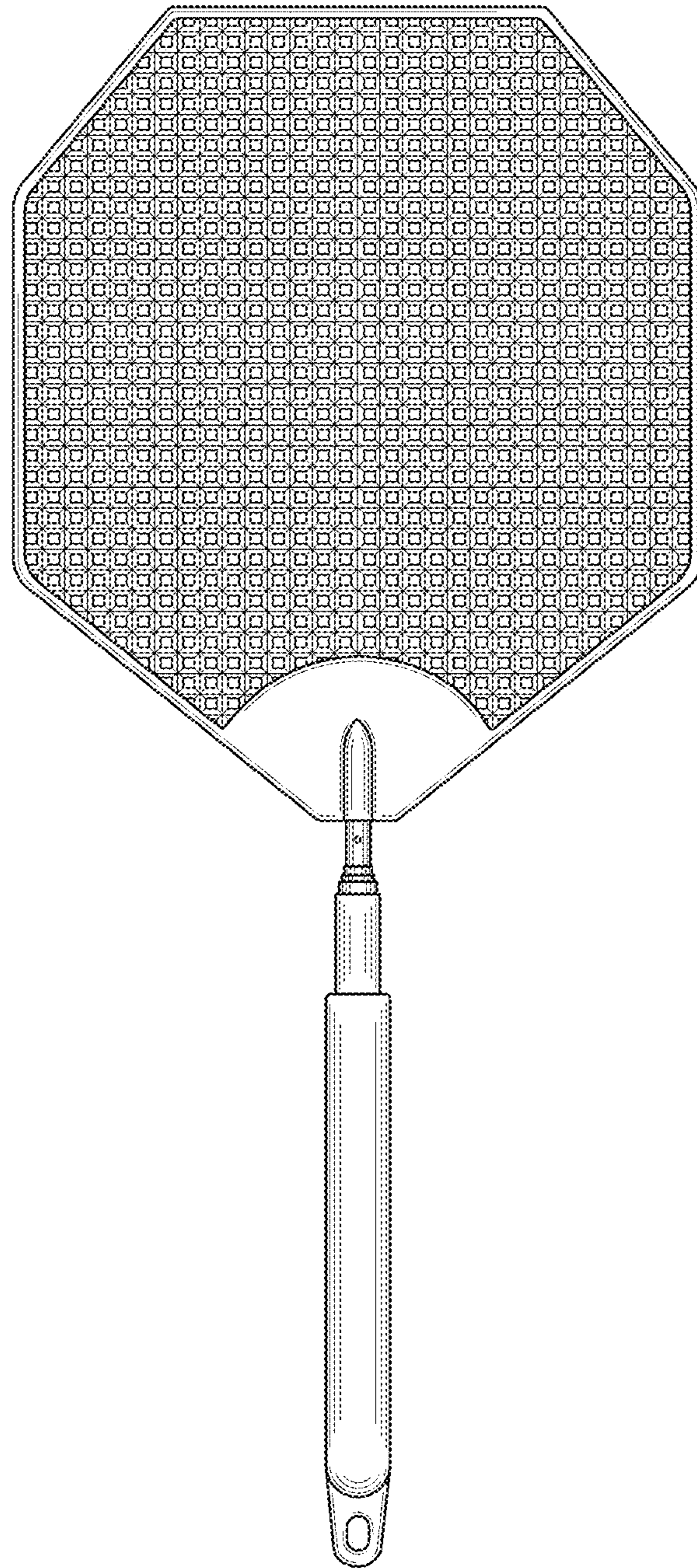


FIG. 4

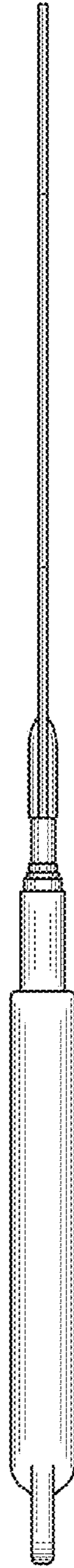


FIG. 5

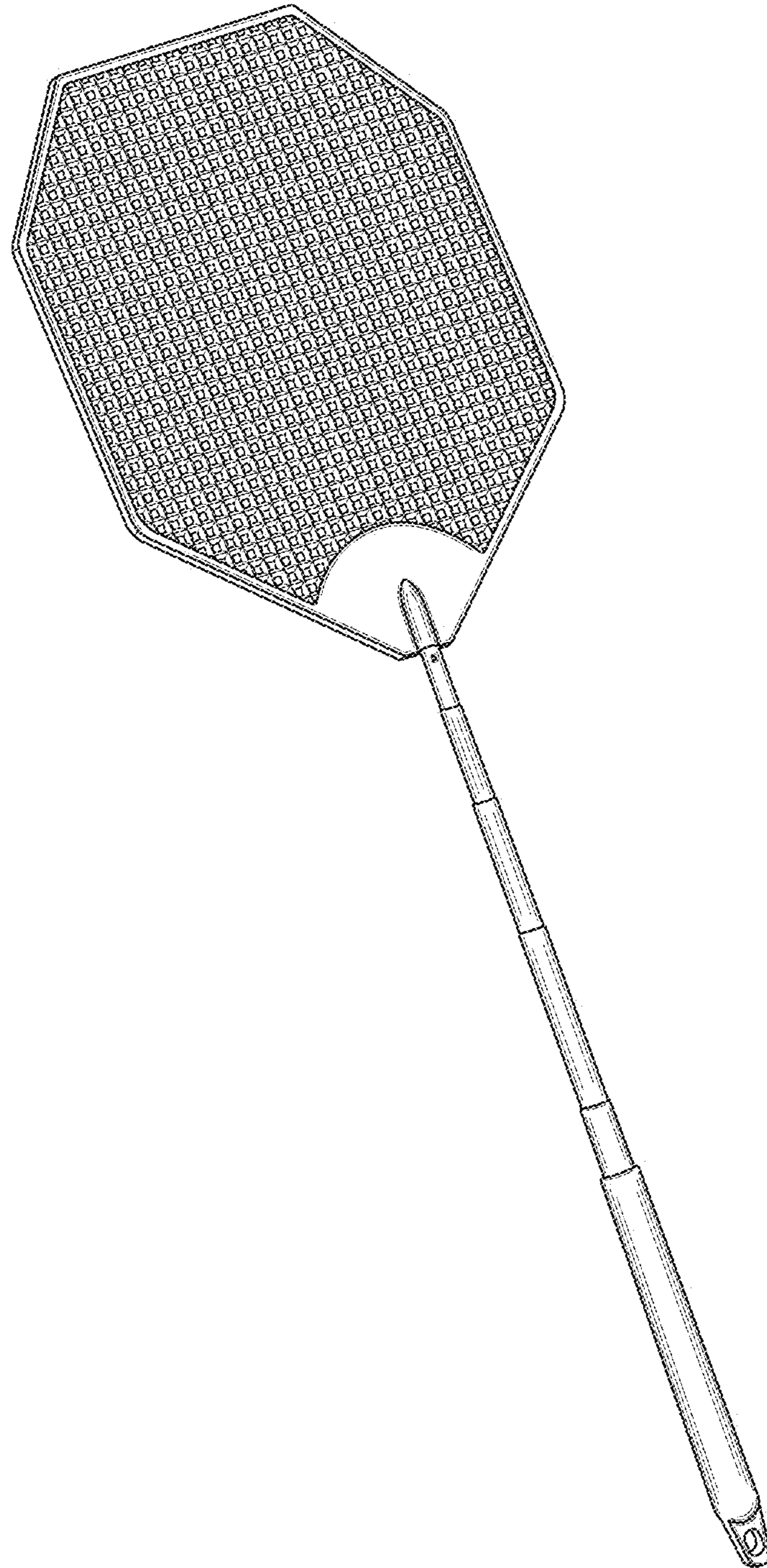


FIG. 6