



US00D923742S

(12) **United States Design Patent** (10) **Patent No.:** **US D923,742 S**
Davis, Jr. (45) **Date of Patent:** **** Jun. 29, 2021**

(54) **BEE TRAP**

(71) Applicant: **Davis Product Creation and Consulting, LLC**, Prattville, AL (US)

(72) Inventor: **Clifford Warren Davis, Jr.**, Prattville, AL (US)

(73) Assignee: **Davis Product Creation and Consulting LLC**, Montgomery, AL (US)

(**) Term: **15 Years**

(21) Appl. No.: **29/666,294**

(22) Filed: **Oct. 11, 2018**

(51) **LOC (13) Cl.** **22-06**

(52) **U.S. Cl.**
USPC **D22/122**

(58) **Field of Classification Search**
USPC D22/119–124; 43/107, 112–114, 131, 43/132.1, 136

(Continued)

(56) **References Cited**

U.S. PATENT DOCUMENTS

835,264 A 11/1906 Steinmann
970,944 A 9/1910 Odatey

(Continued)

FOREIGN PATENT DOCUMENTS

FR 2298947 8/1978
FR 2871994 A1 12/2005

(Continued)

OTHER PUBLICATIONS

Lowes.com, BeesNThings Carpenter Bee Natural Bee Trap, Apr. 16, 2017 (Year: 2017).*

(Continued)

Primary Examiner — Catherine R Oliver-Garcia

(74) *Attorney, Agent, or Firm* — Jeremy A. Smith; Lanier Ford Shaver & Payne, P.C.

(57) **CLAIM**

The ornamental design for a bee trap, as shown and described.

DESCRIPTION

FIG. 1 shows a perspective view of one embodiment of the bee trap of the instant application.

FIG. 2 shows an opposing perspective view of the view shown in FIG. 1.

FIG. 3 shows a front view of the embodiment of the bee trap shown in FIG. 1.

FIG. 4 shows a rear view of the embodiment of the bee trap shown in FIG. 1.

FIG. 5 shows a side view of the embodiment of the bee trap shown in FIG. 1 with the access door in the closed position.

FIG. 6 shows an opposing side view of the view shown in FIG. 5.

FIG. 7 shows a top view of the embodiment of the bee trap shown in FIG. 1.

FIG. 8 shows a bottom view of the embodiment of the bee trap shown in FIG. 1.

FIG. 9 shows an alternate view of the view shown in FIG. 5 with the access door in an open position.

FIG. 10 shows an exploded perspective view of the embodiment of the bee trap shown in FIG. 1.

FIG. 11 shows a perspective view of an alternate embodiment of the bee trap of the instant application.

FIG. 12 shows an opposing perspective view of the view shown in FIG. 11.

FIG. 13 shows a front view of the embodiment of the bee trap shown in FIG. 11.

FIG. 14 shows a rear view of the embodiment of the bee trap shown in FIG. 11.

FIG. 15 shows a side view of the embodiment of the bee trap shown in FIG. 11 with the access door in the closed position.

FIG. 16 shows an opposing side view of the view shown in FIG. 15.

FIG. 17 shows a top view of the embodiment of the bee trap shown in FIG. 11.

(Continued)

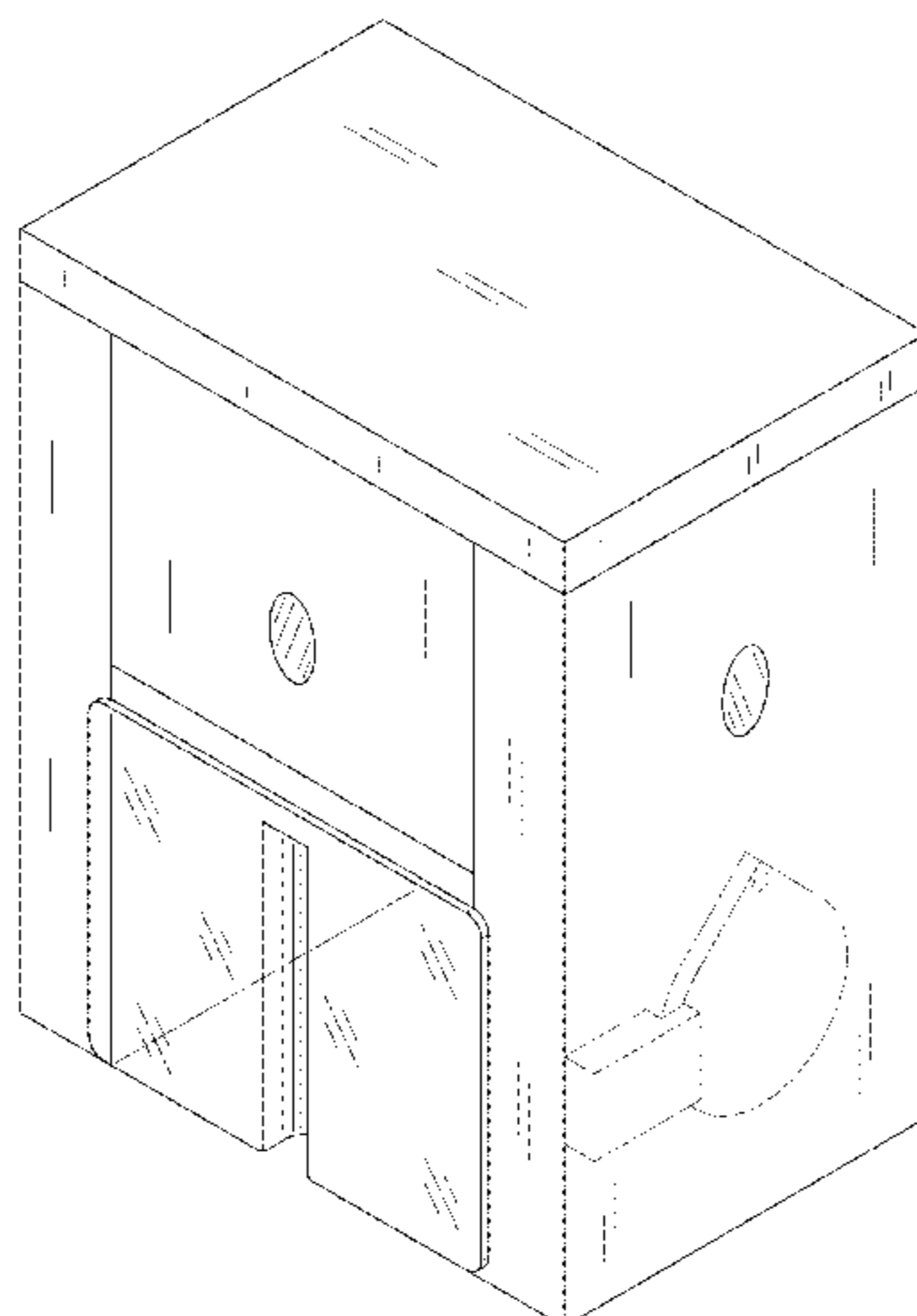


FIG. 18 shows a bottom view of the embodiment of the bee trap shown in FIG. 11.

FIG. 19 shows an alternate view of the view shown in FIG. 5 with the access door in an open position; and,

FIG. 20 shows an exploded perspective view of the embodiment of the bee trap shown in FIG. 11.

The dashed lines shown in the drawings illustrate environmental structure and form no part of the claimed design.

1 Claim, 18 Drawing Sheets

(58) **Field of Classification Search**

CPC A01M 1/2005; A01M 1/2016; A01M 2200/012

See application file for complete search history.

(56) **References Cited**

U.S. PATENT DOCUMENTS

1,091,550	A	3/1914	Walters
1,364,949	A	1/1921	Niewinski
1,772,729	A	8/1930	Pisani
1,783,631	A	12/1930	Sladky
1,800,108	A	4/1931	Schmitz
1,968,954	A	8/1934	Metzger
2,035,546	A	3/1936	Hamilton
2,177,670	A	10/1939	Peirson
2,193,492	A	3/1940	Richardson
2,796,696	A	6/1957	Kea
3,803,753	A	4/1974	Feigin et al.
3,828,464	A	8/1974	Peace
3,872,619	A	3/1975	McIlwain
4,395,842	A	8/1983	Margulies
4,551,941	A	11/1985	Schneidmiller
4,638,592	A	1/1987	Schneidmiller
4,858,374	A	8/1989	Clemons
D306,061	S	2/1990	Cutter
5,231,792	A	8/1993	Warner
5,274,949	A	1/1994	Beaton
5,305,546	A	4/1994	Edwards
5,309,668	A	5/1994	Barton
D347,676	S *	6/1994	Van Wallendael D22/119
5,339,563	A	8/1994	Job
5,448,862	A	9/1995	Candiracci
5,493,997	A	2/1996	Ritchey
D370,746	S	6/1996	Gordon
5,522,171	A	6/1996	Mandeville
5,522,172	A *	6/1996	Clark A01M 1/2005 43/131
5,685,109	A	11/1997	Rimback
5,832,658	A	11/1998	Randon
5,921,018	A	7/1999	Hirose et al.
6,112,452	A	9/2000	Campbell

6,138,402	A	10/2000	Wotton
6,158,165	A	12/2000	Wilson
6,170,437	B1	1/2001	Jones
6,502,347	B1	1/2003	Carver, Sr.
D478,958	S	8/2003	Harris et al.
6,754,988	B1	6/2004	Downey
6,766,611	B2	7/2004	Prince
7,082,712	B2	8/2006	Harris et al.
7,093,389	B1	8/2006	Meier et al.
7,100,324	B2	9/2006	Lenker
D532,479	S	11/2006	Child
D536,413	S	2/2007	Duston
7,222,453	B2	5/2007	Uhl
7,412,797	B1	8/2008	Hiscox
7,632,167	B1	12/2009	Miller
7,669,362	B2	3/2010	Cwiklinski et al.
7,757,432	B2	7/2010	Gunderman, Jr.
7,886,481	B2	2/2011	Schneidmiller et al.
D634,808	S	3/2011	Tsai
8,028,467	B2	10/2011	Bagnall et al.
8,205,378	B2	6/2012	Banfield
D672,426	S	12/2012	Davis, Jr.
8,356,444	B2	1/2013	Pazik et al.
8,375,624	B2	2/2013	Blazer et al.
D690,384	S	9/2013	Davis, Jr.
8,985,056	B2	3/2015	Chen et al.
9,351,481	B2	5/2016	Pocratsky et al.
D791,905	S *	7/2017	Parent A01M 1/2016 D22/122
D854,116	S *	7/2019	Baker D22/122
2001/0047612	A1	12/2001	Prince
2004/0237379	A1	12/2004	Long
2005/0279016	A1	12/2005	Williams et al.
2006/0137240	A1	6/2006	Dismore
2007/0006519	A1	1/2007	Gunderman, Jr.
2007/0151142	A1	7/2007	Suteerawanit
2008/0052982	A1	3/2008	Windsor
2010/0139151	A1	6/2010	Cwiklinski et al.
2010/0269402	A1	10/2010	Blazer et al.

FOREIGN PATENT DOCUMENTS

GB	365231	1/1932
GB	2283896	5/1995

OTHER PUBLICATIONS

Brian Blazer; The Best Carpenter Bee Trap Information; retrieved from <https://www.youtube.com/watch?v=7g2TRanAkSA>; retrieved on Jul. 31, 2015.

Professional Pest Control Products, Inc.; Carpenter Bee Trap; retrieved from <http://www.bugsaway.com/catalog/carpenter-trap-p-359.html>; retrieved on Jul. 31, 2015.

Roger J. Wendell; Stop the Bug Zappers!; retrieved from <http://www.rogerwendell.com/insects.html>; retrieved on Jul. 31, 2015.

* cited by examiner

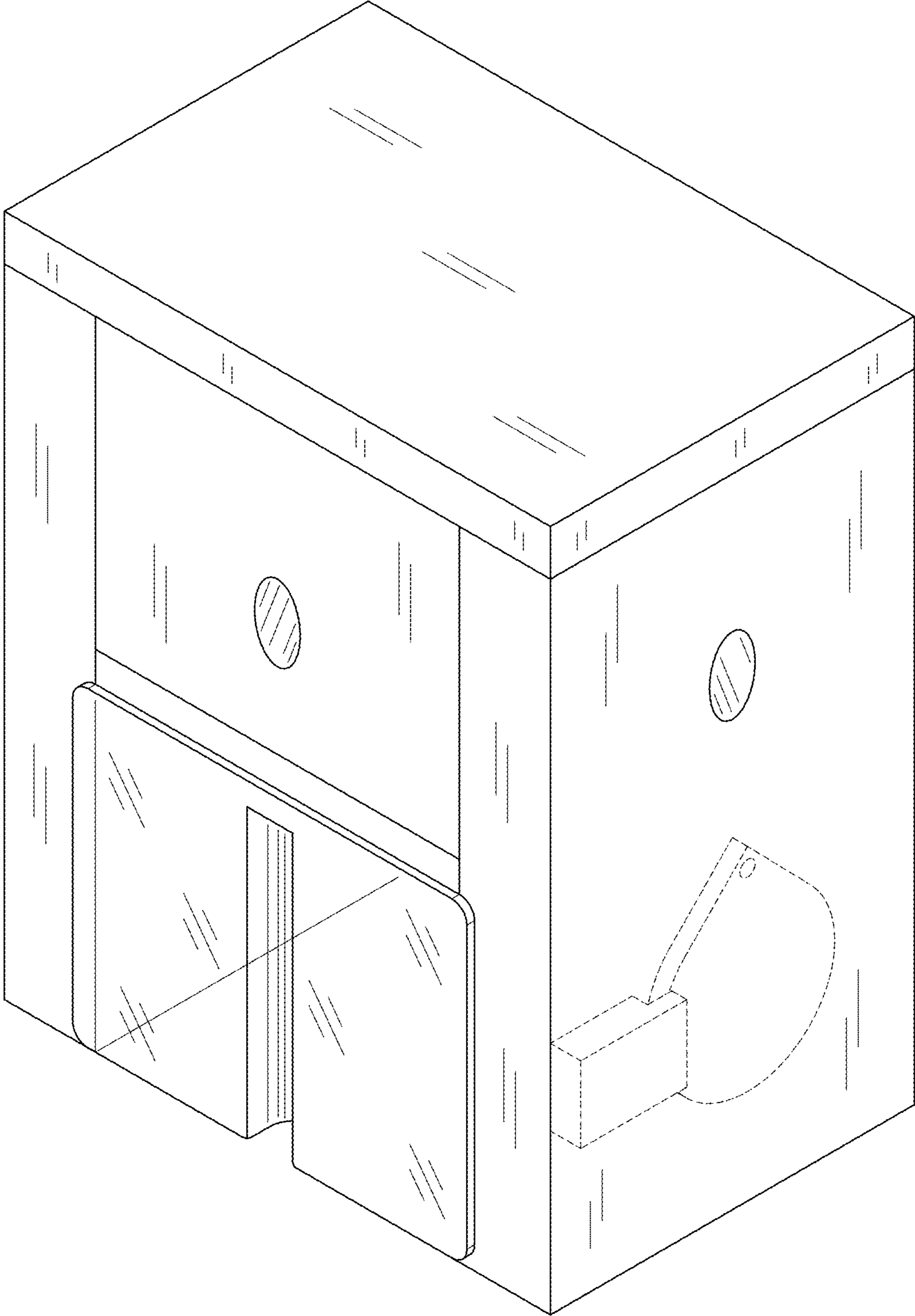


FIG. 1

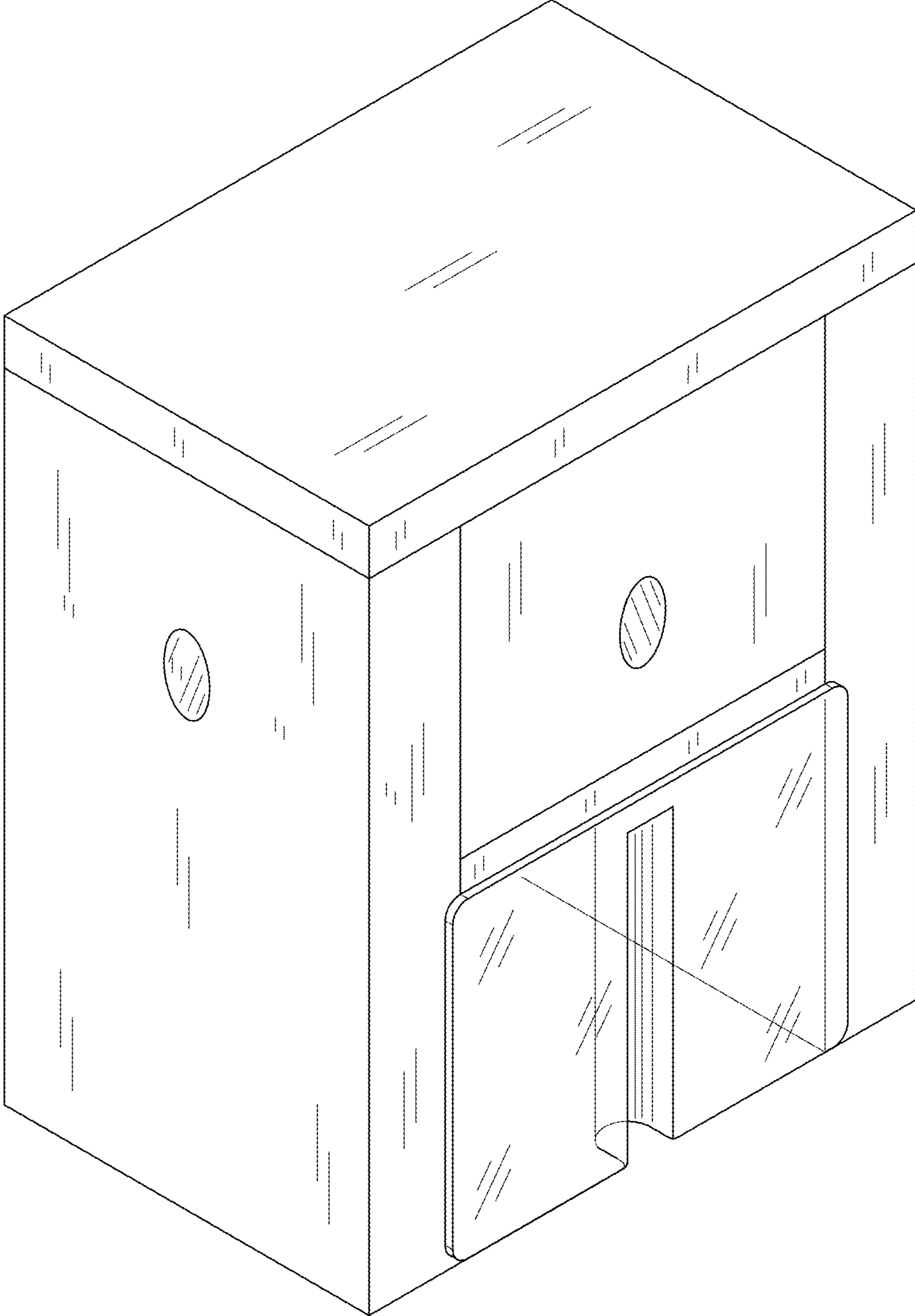


FIG. 2

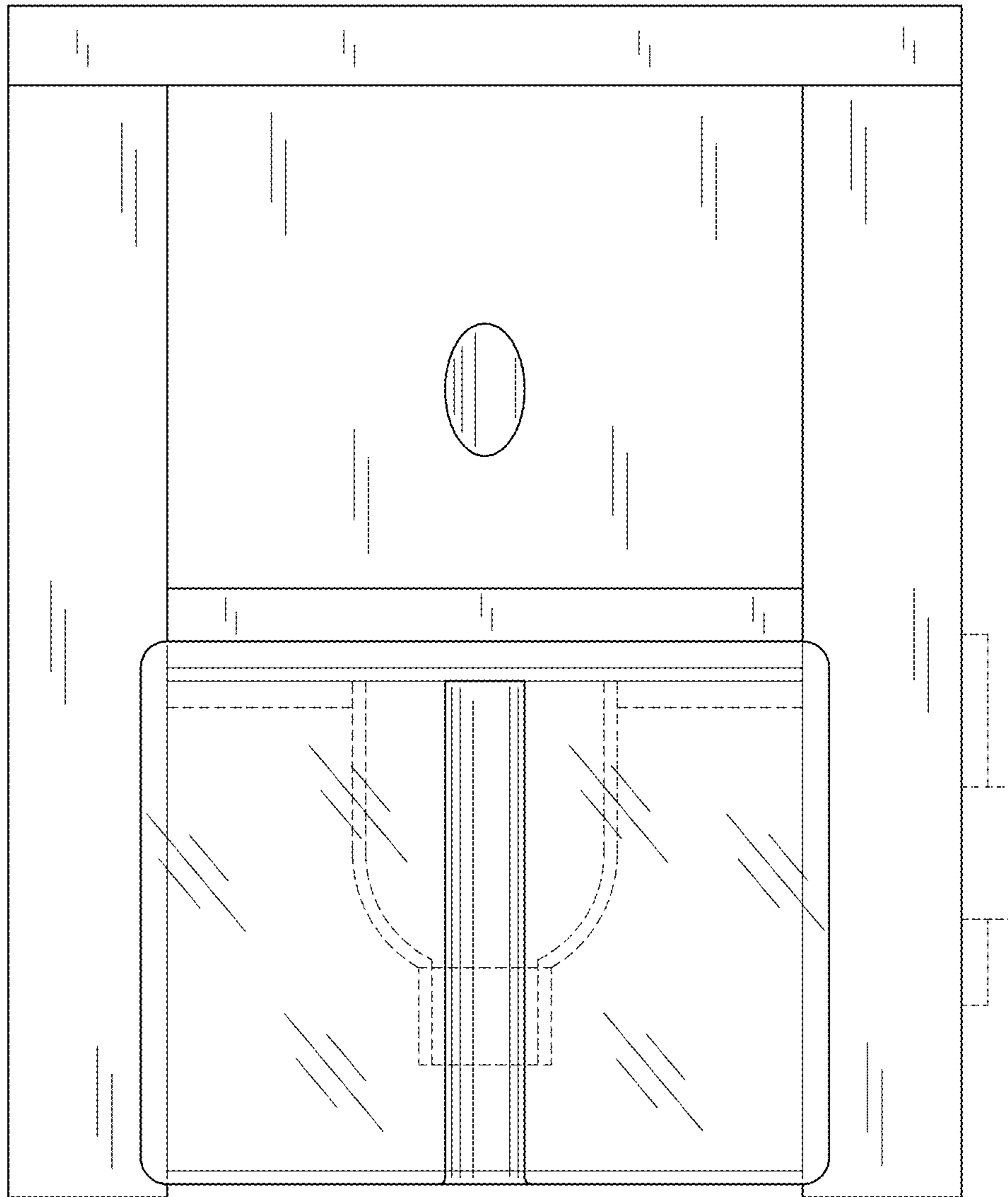


FIG. 3

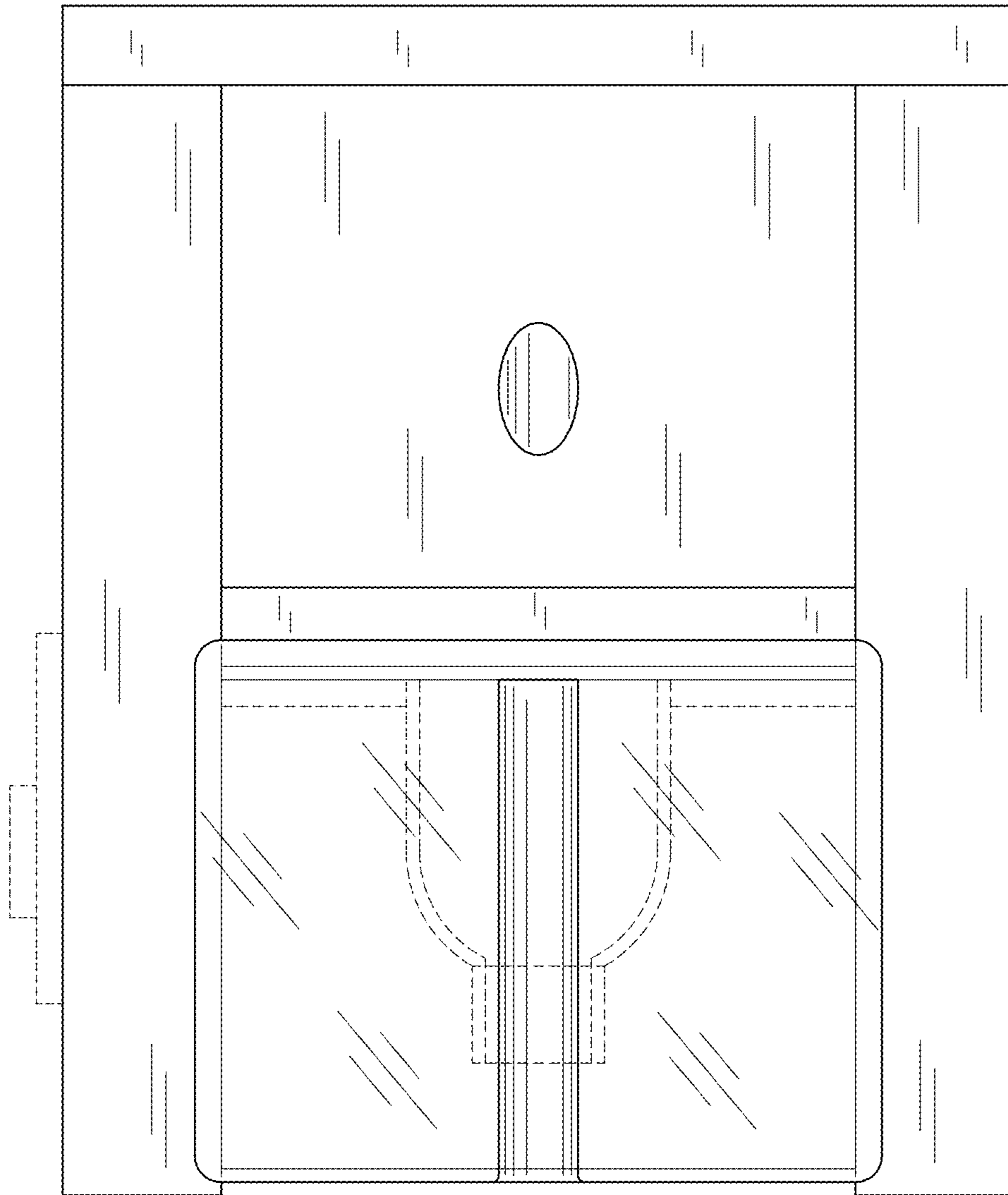


FIG. 4

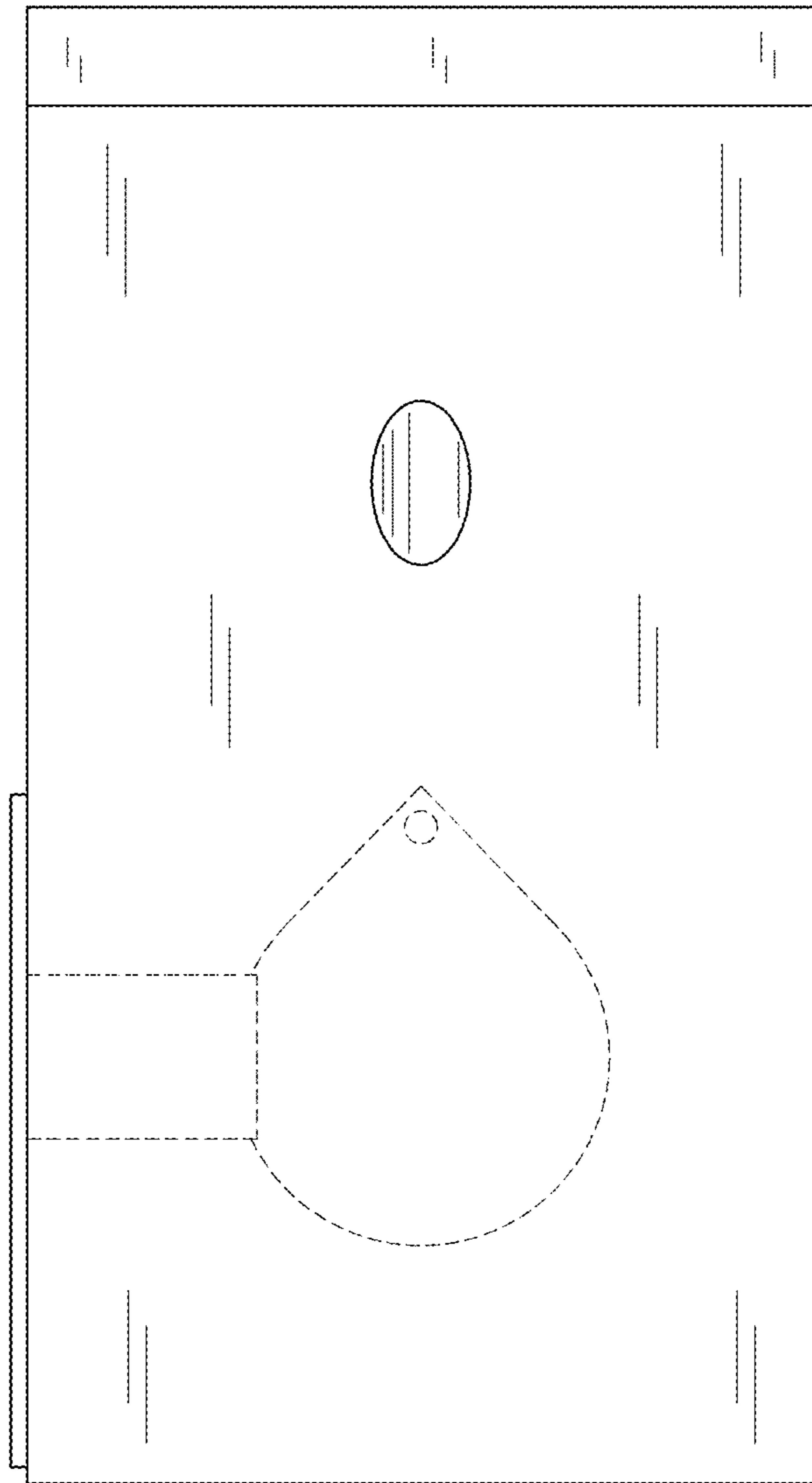


FIG. 5

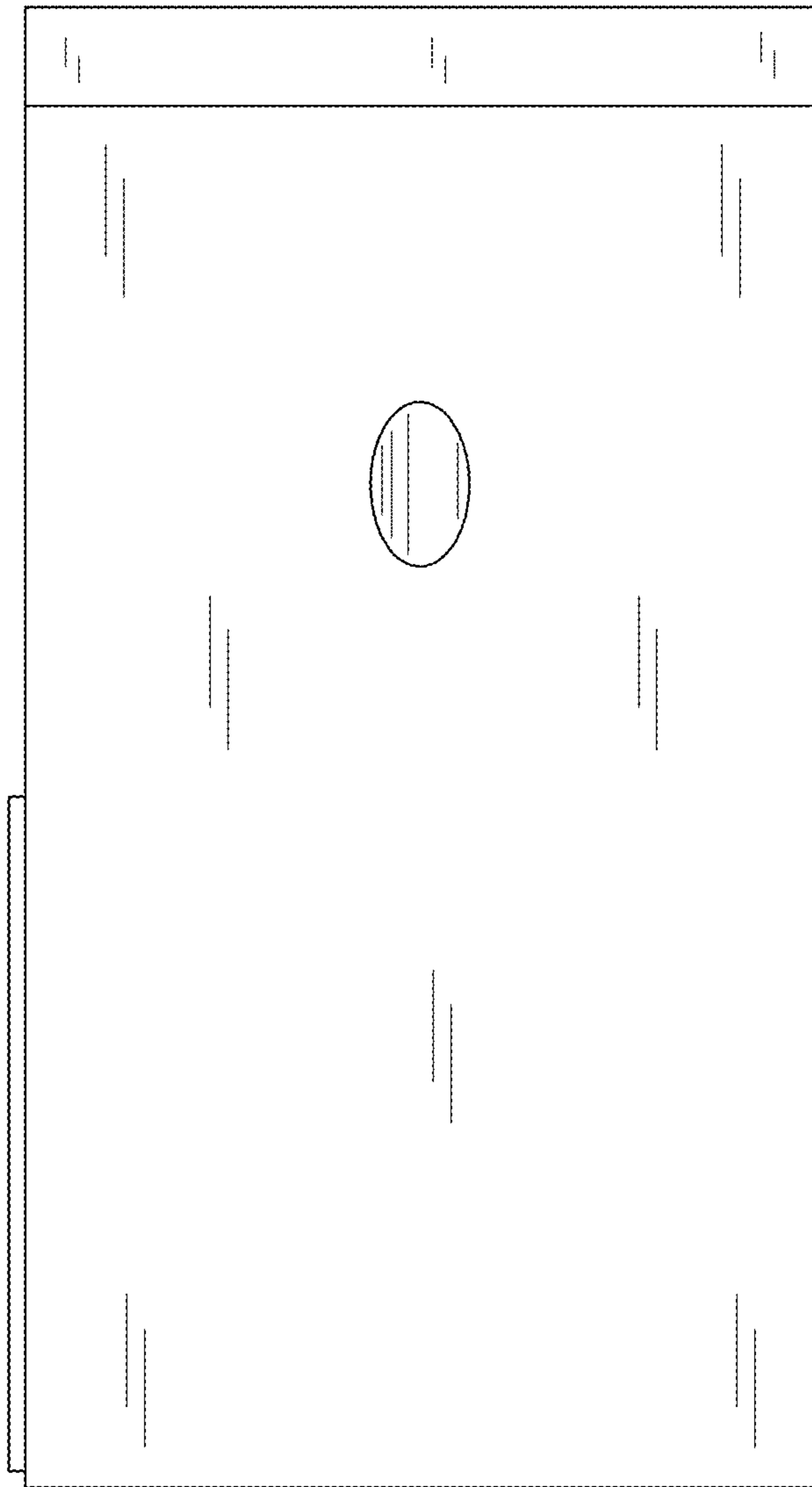


FIG. 6

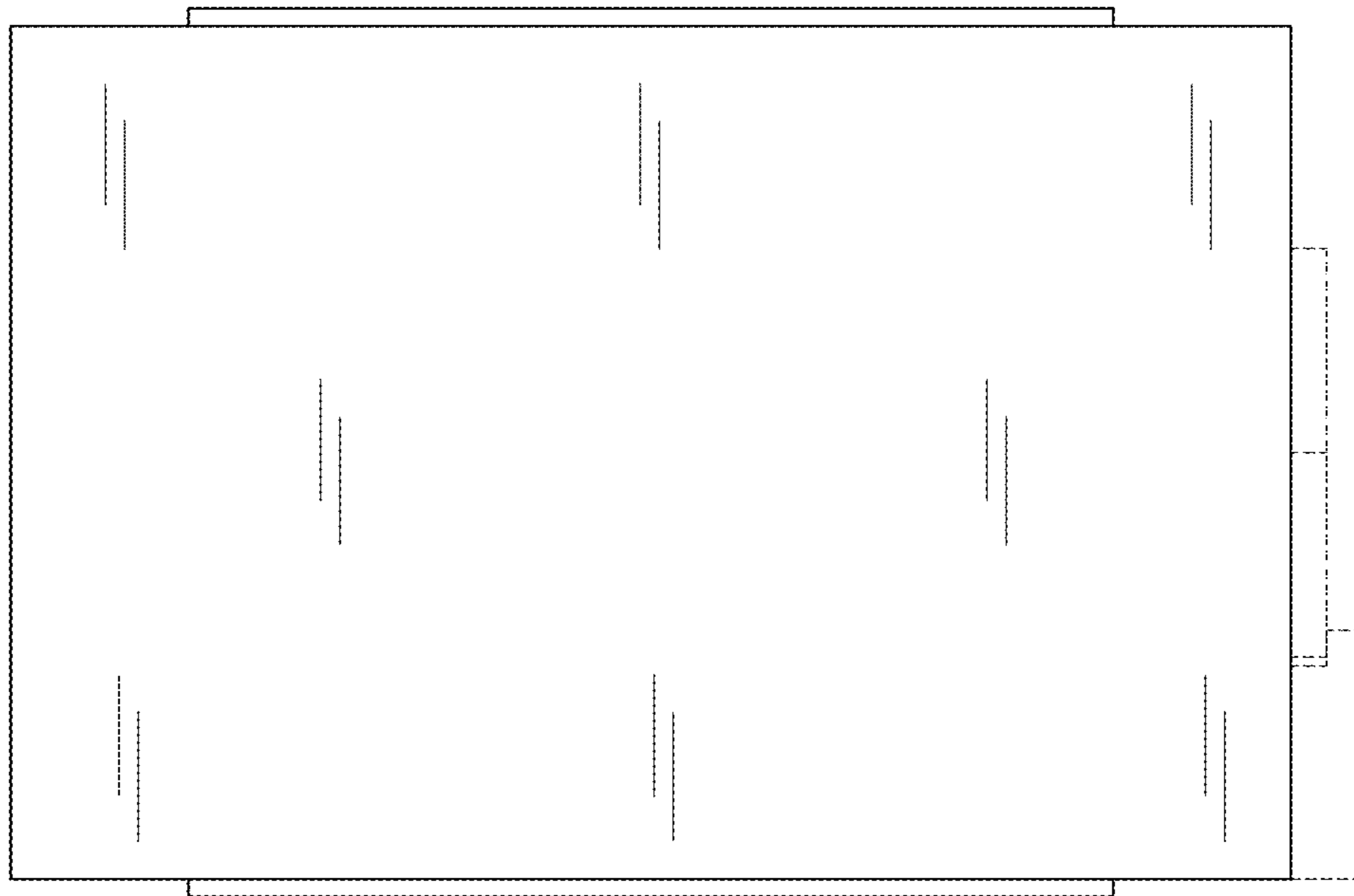


FIG. 7

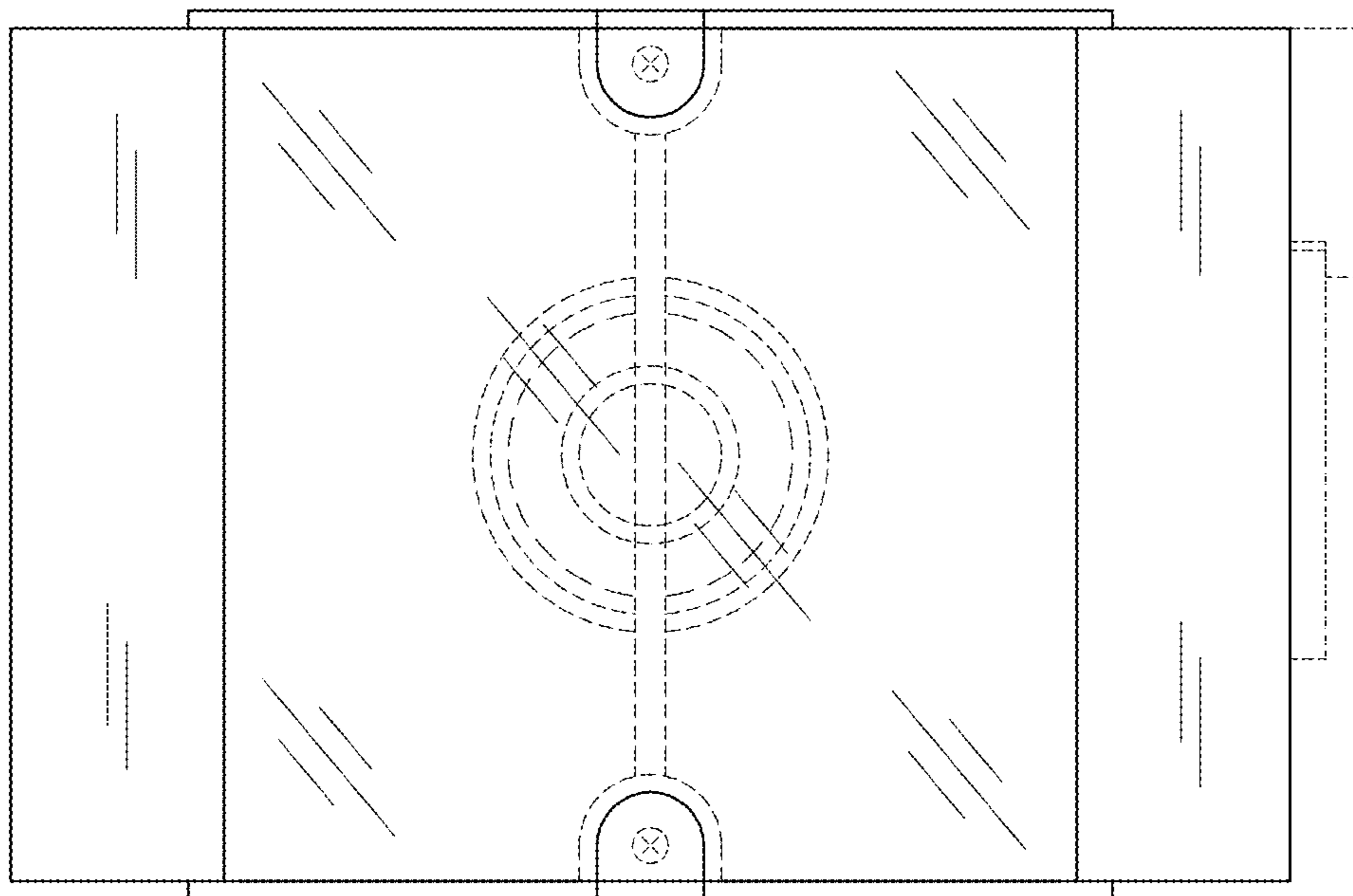


FIG. 8

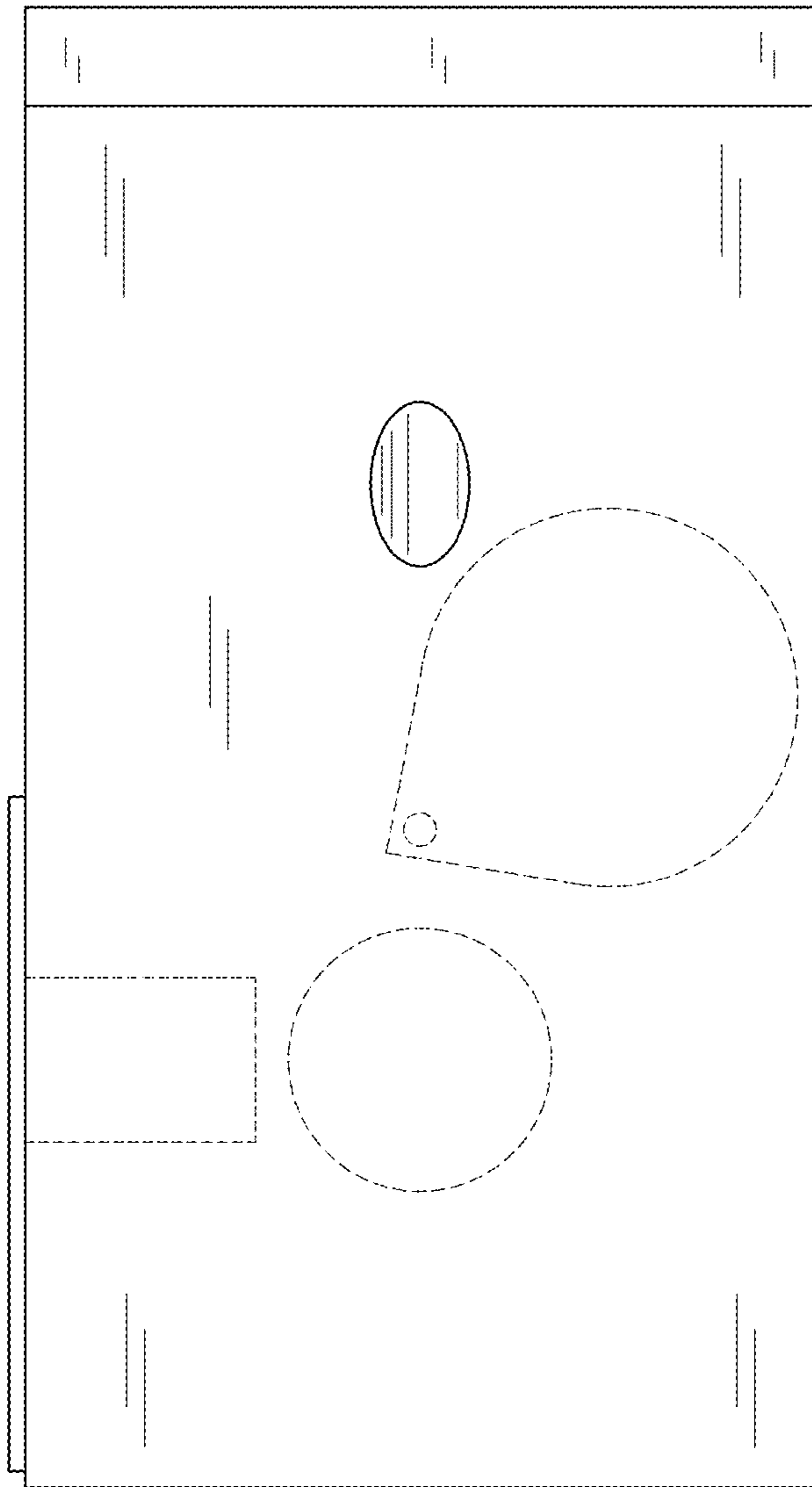


FIG. 9

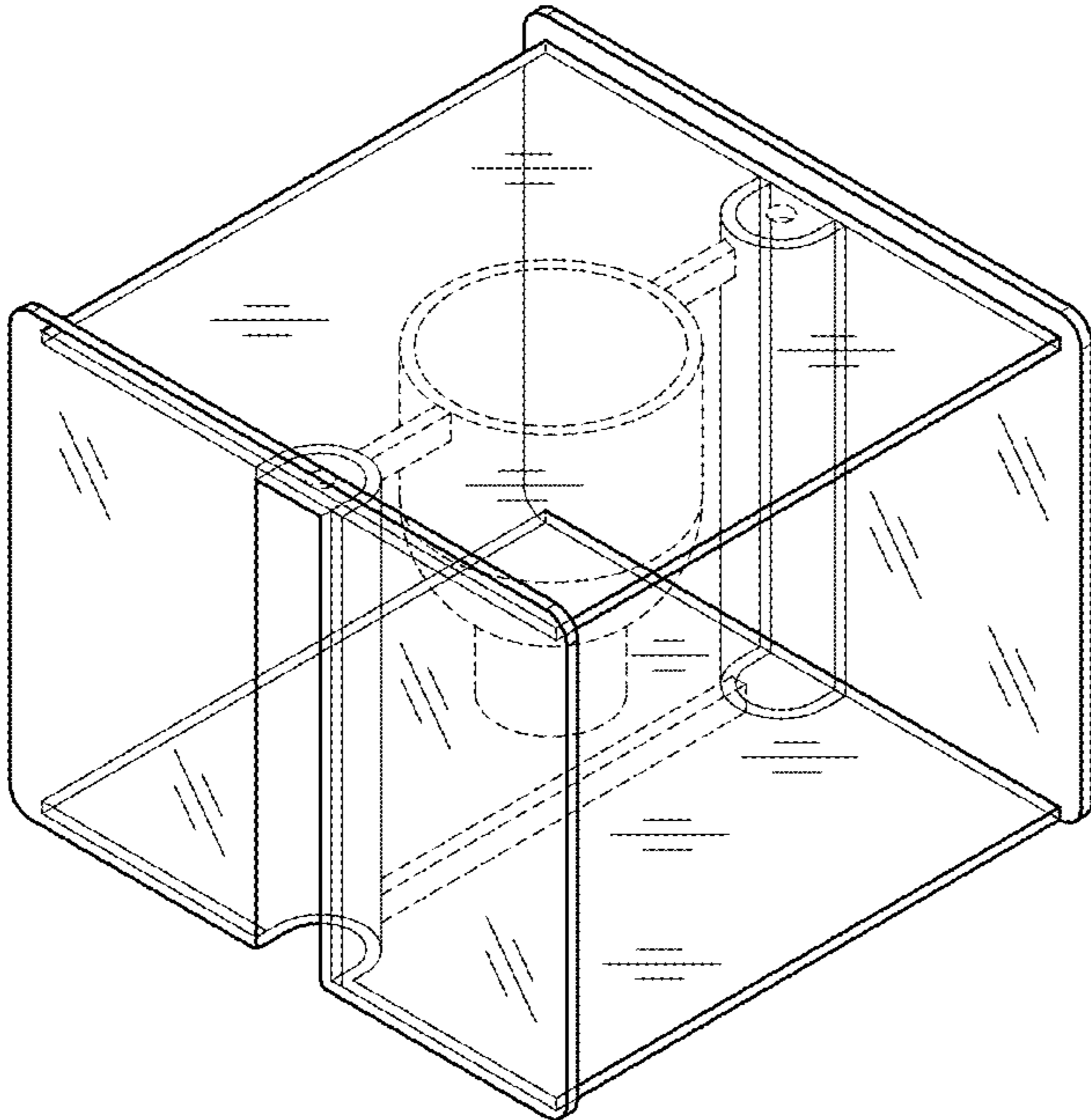
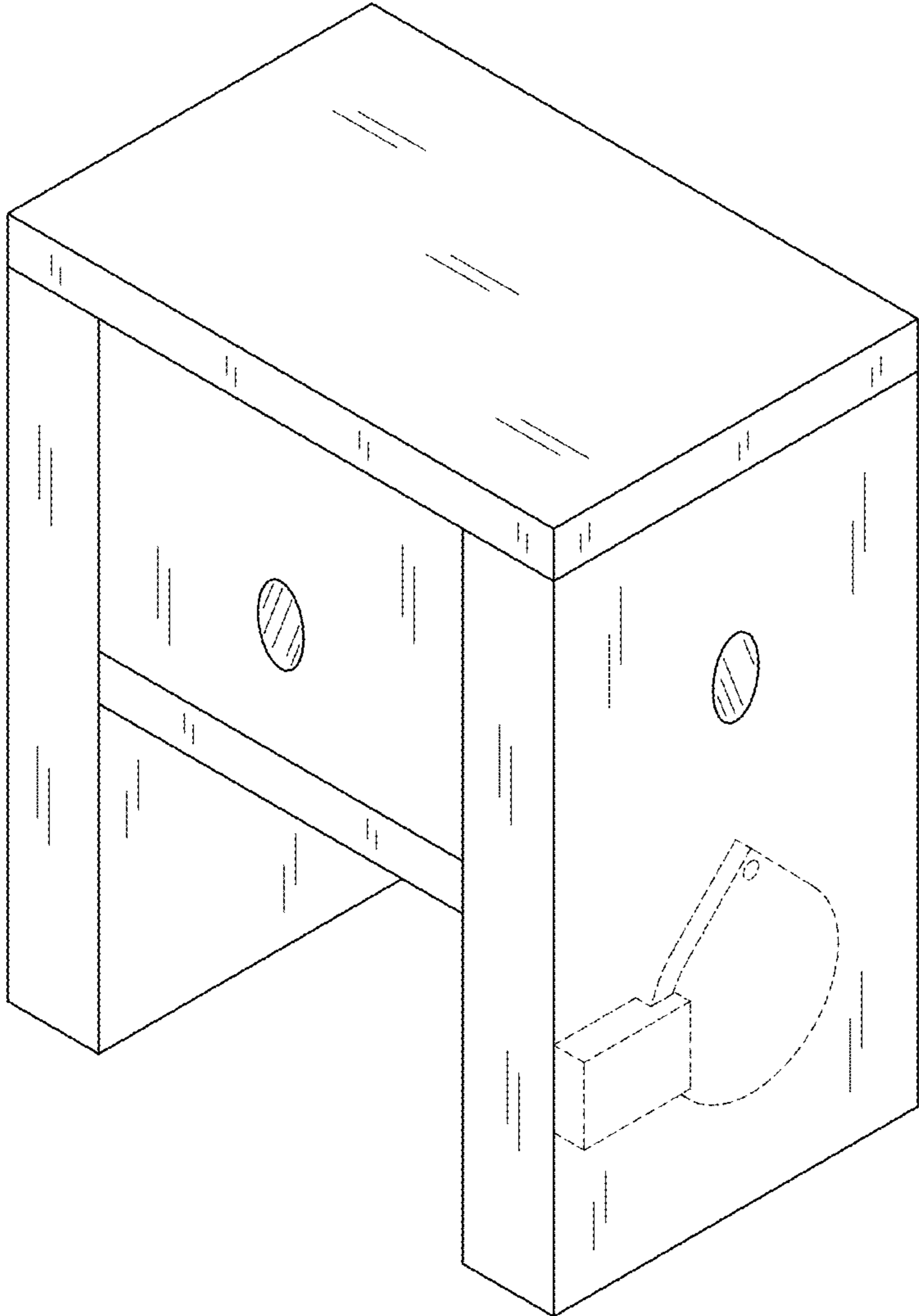


FIG. 10

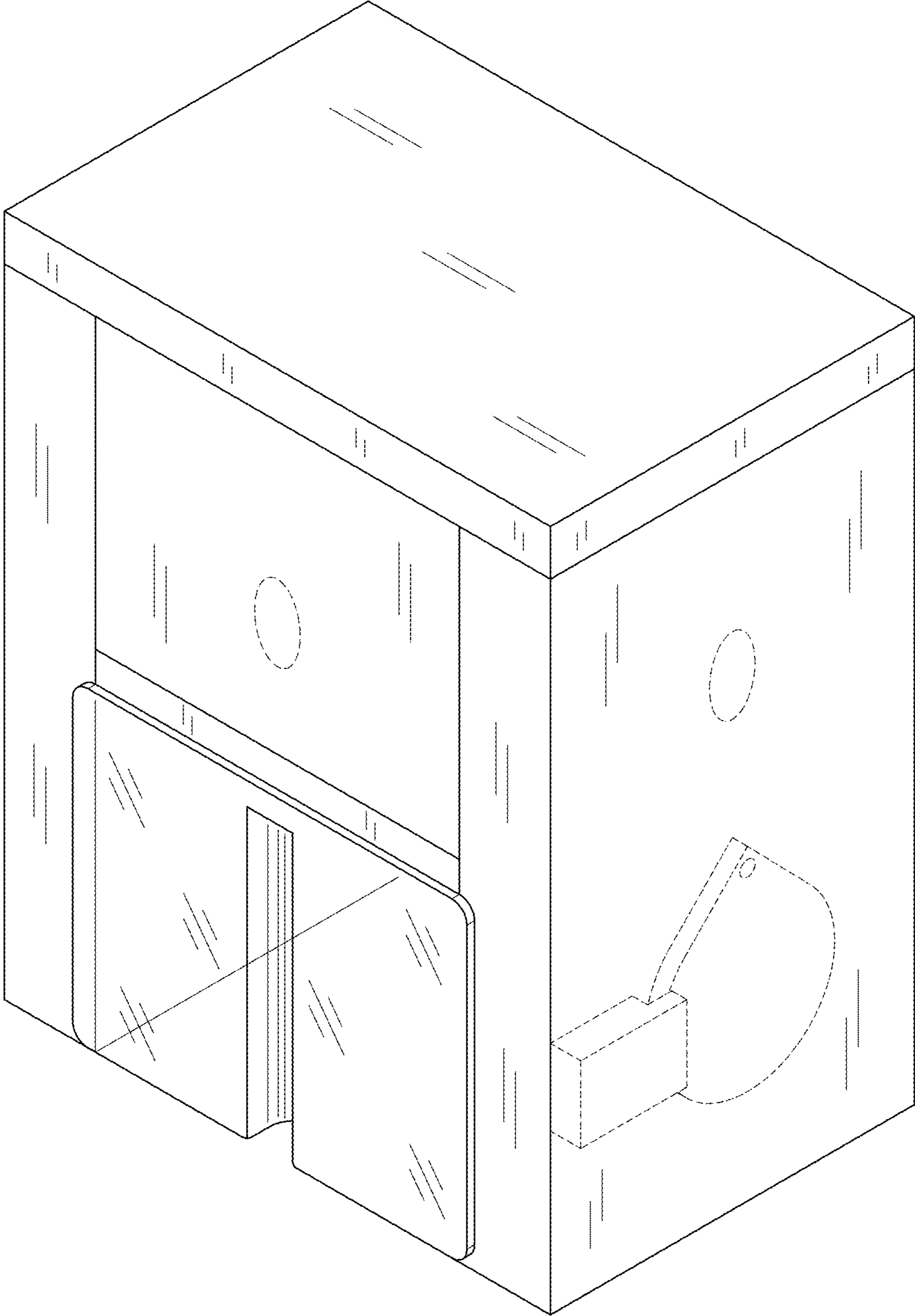


FIG. 11

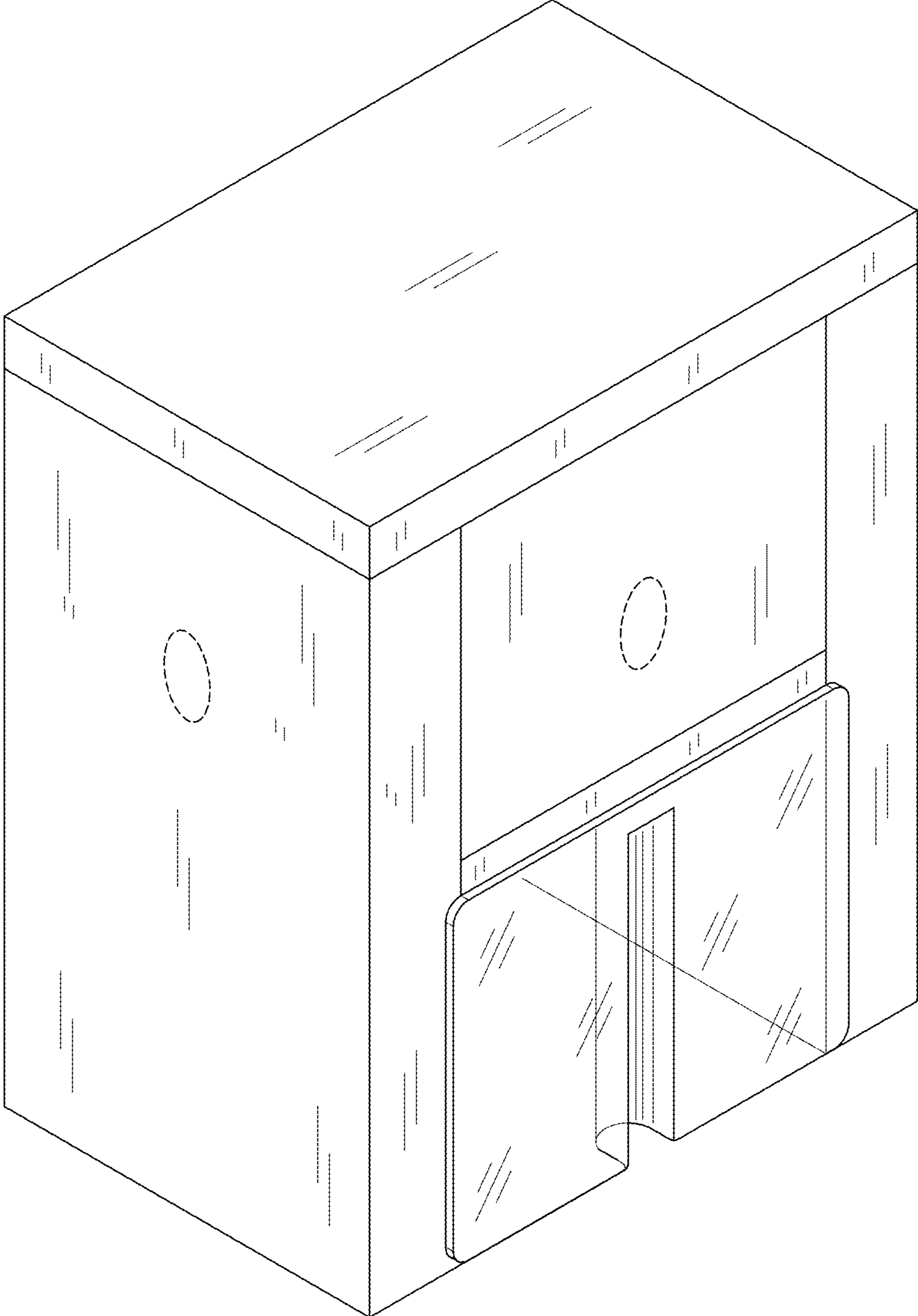


FIG. 12

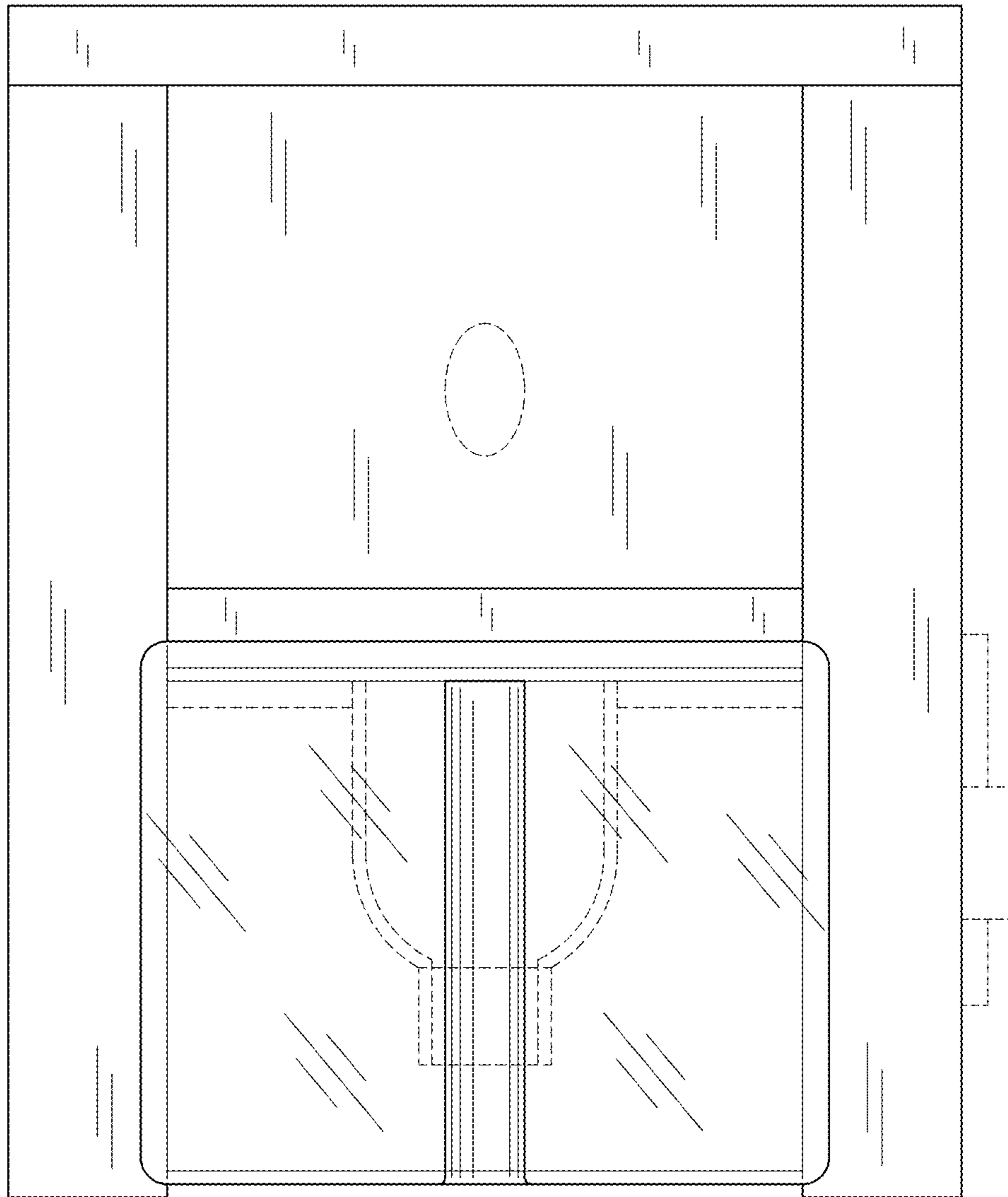


FIG. 13

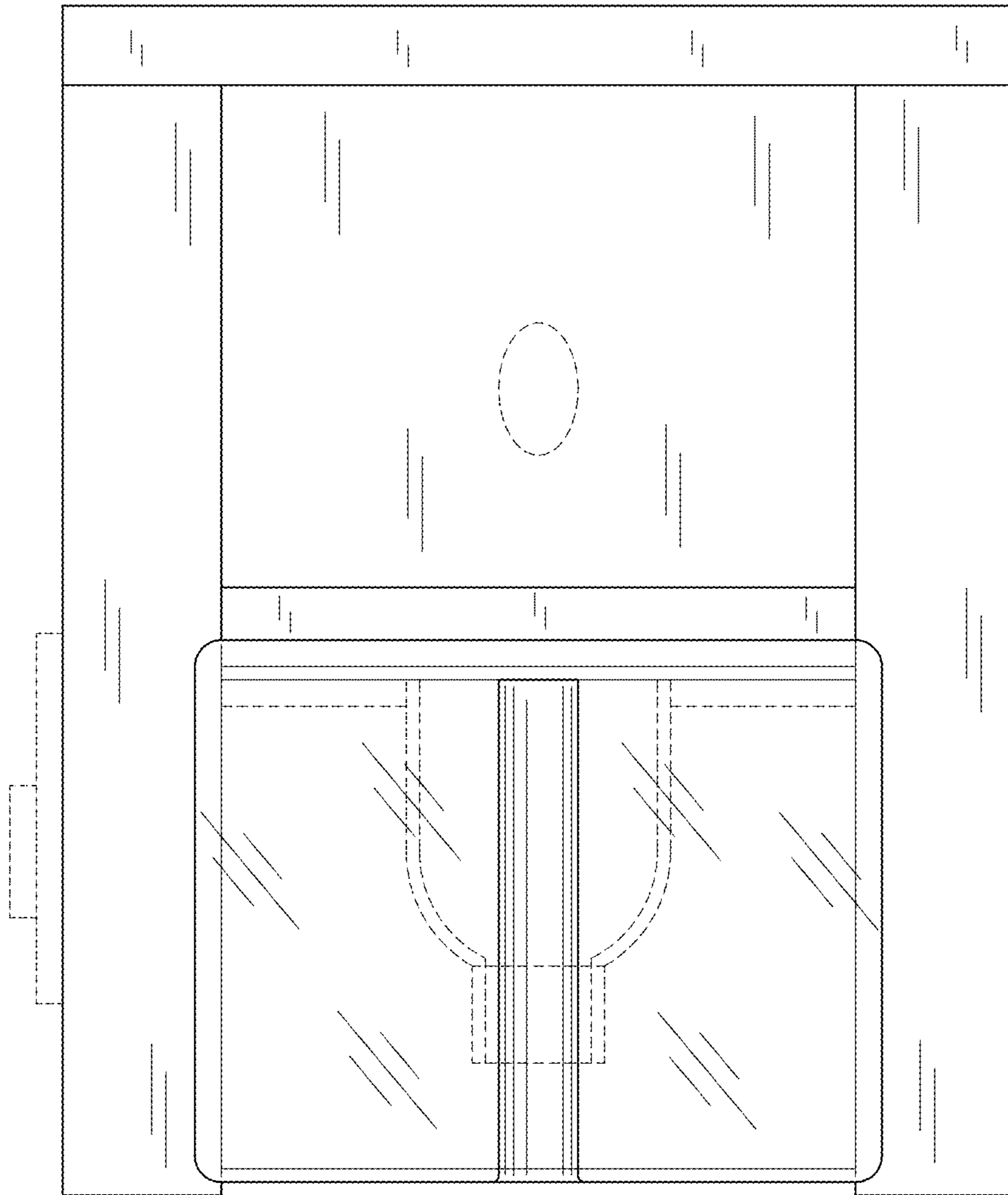


FIG. 14

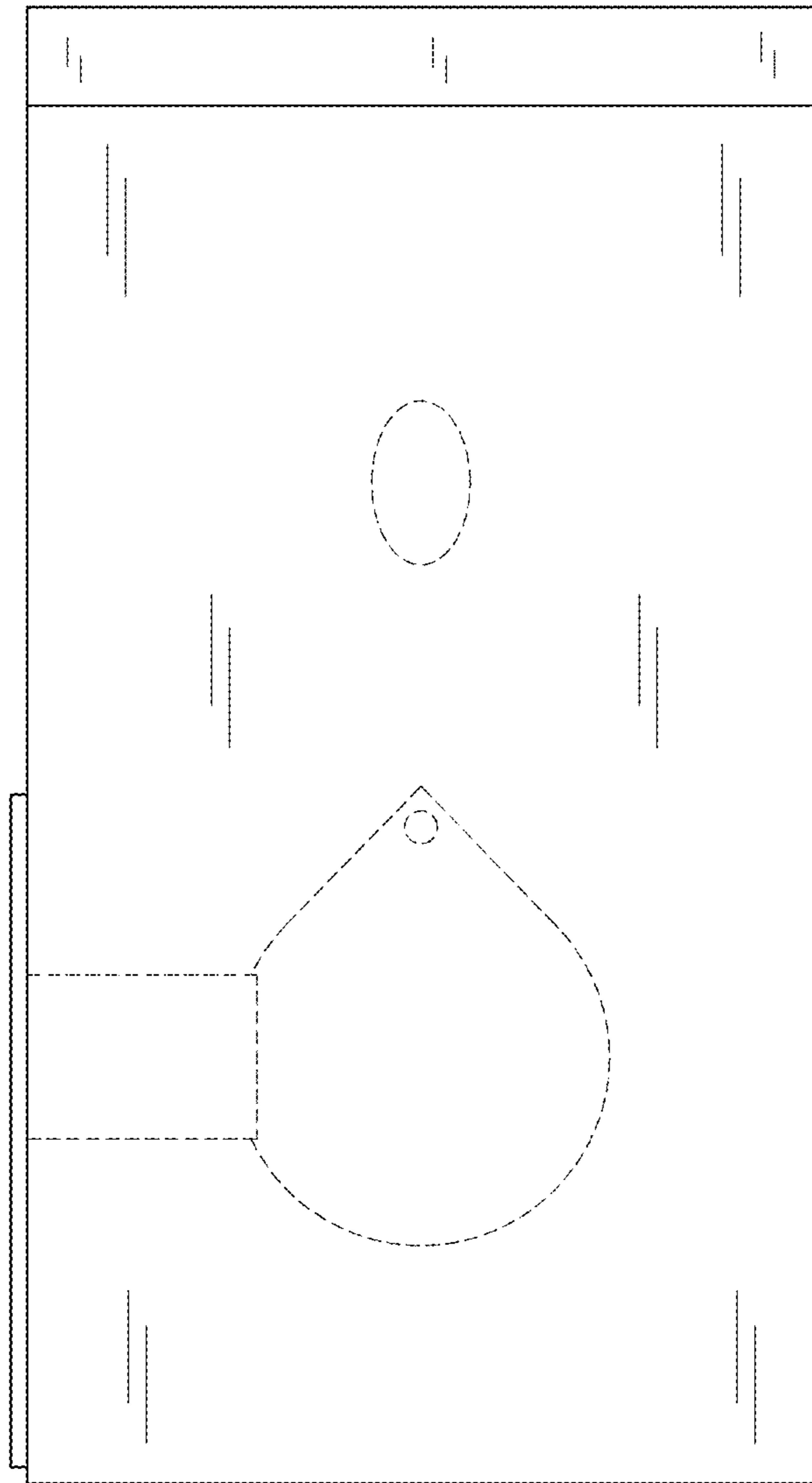


FIG. 15

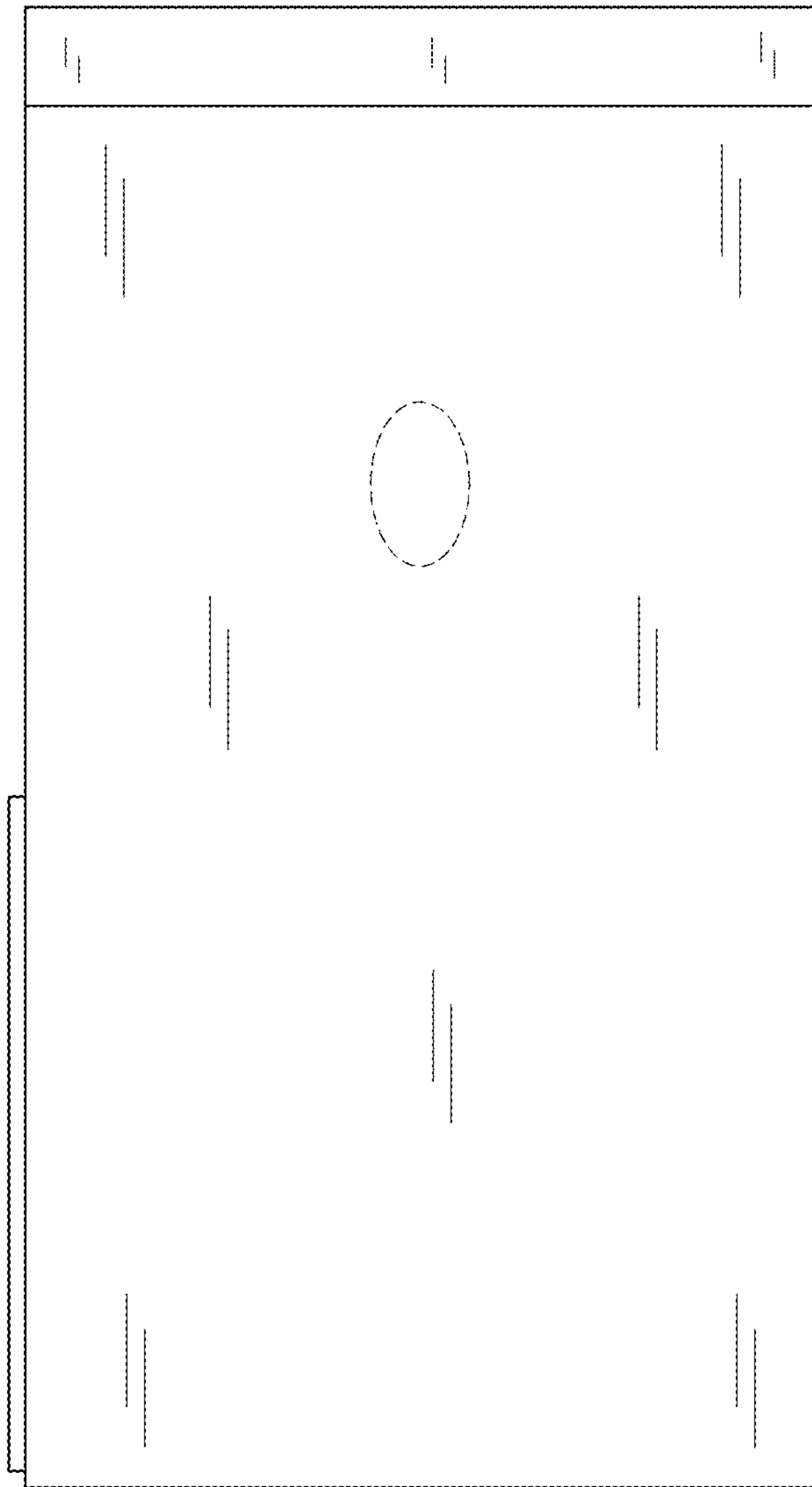


FIG. 16

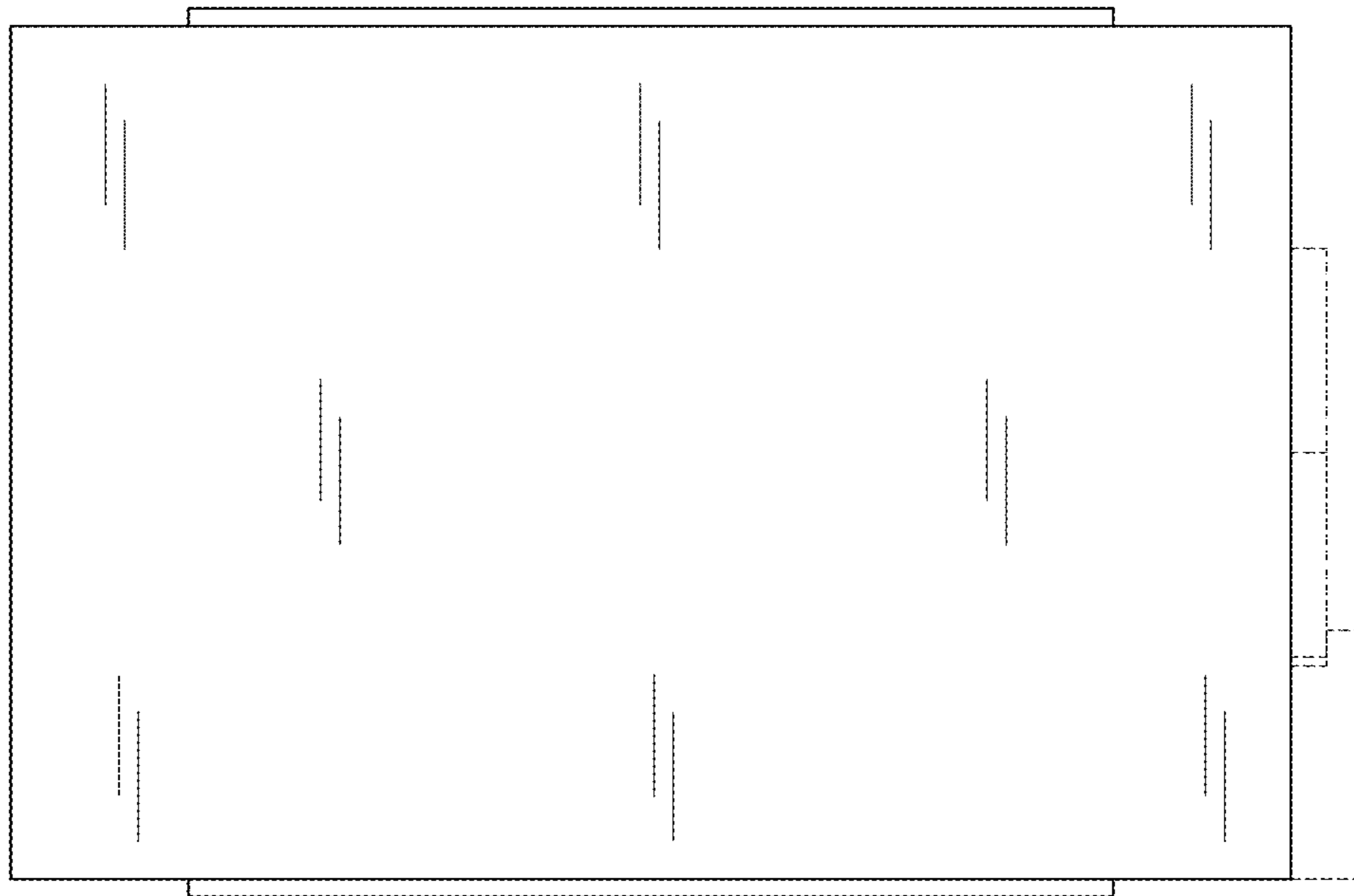


FIG. 17

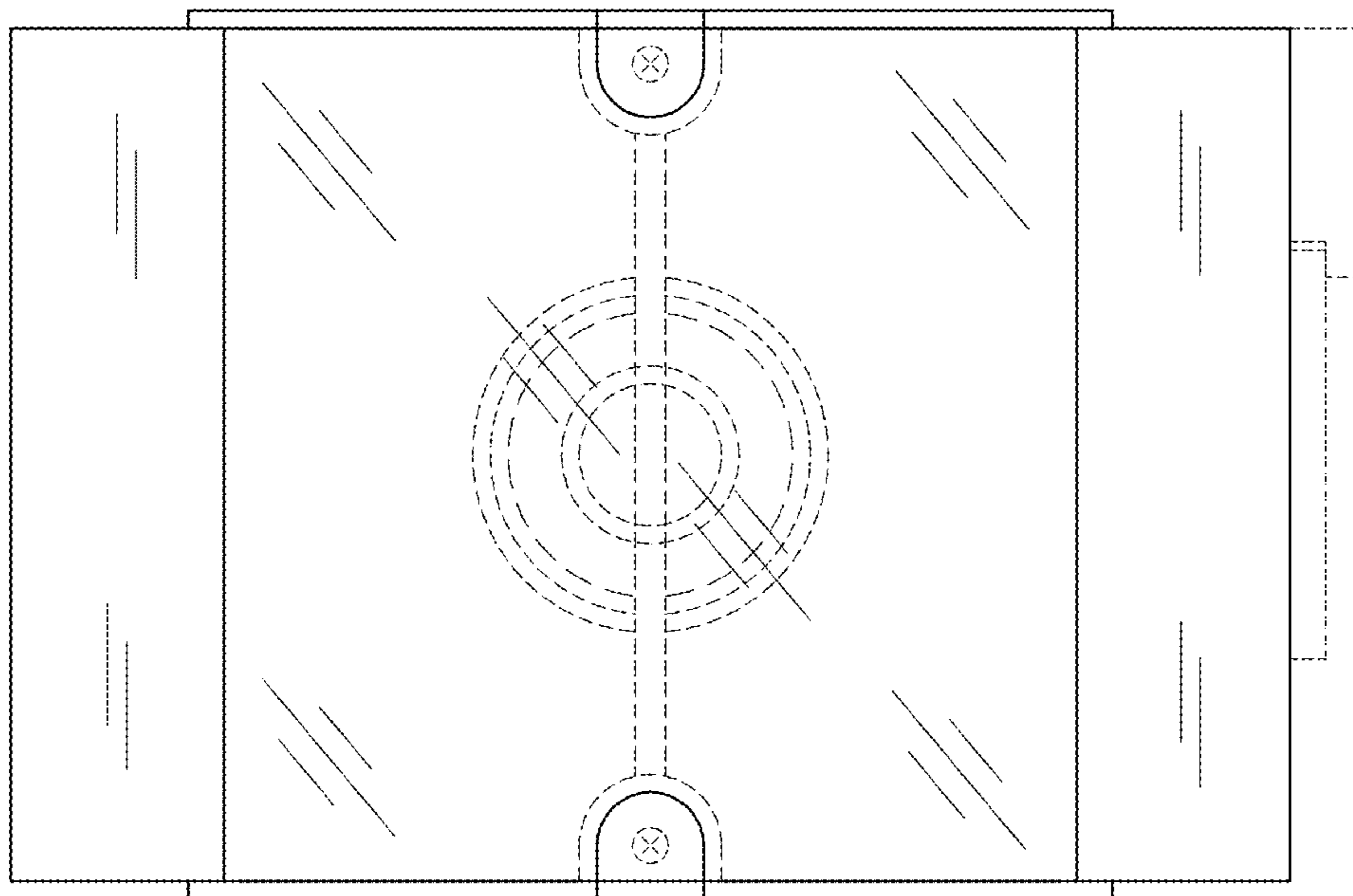


FIG. 18

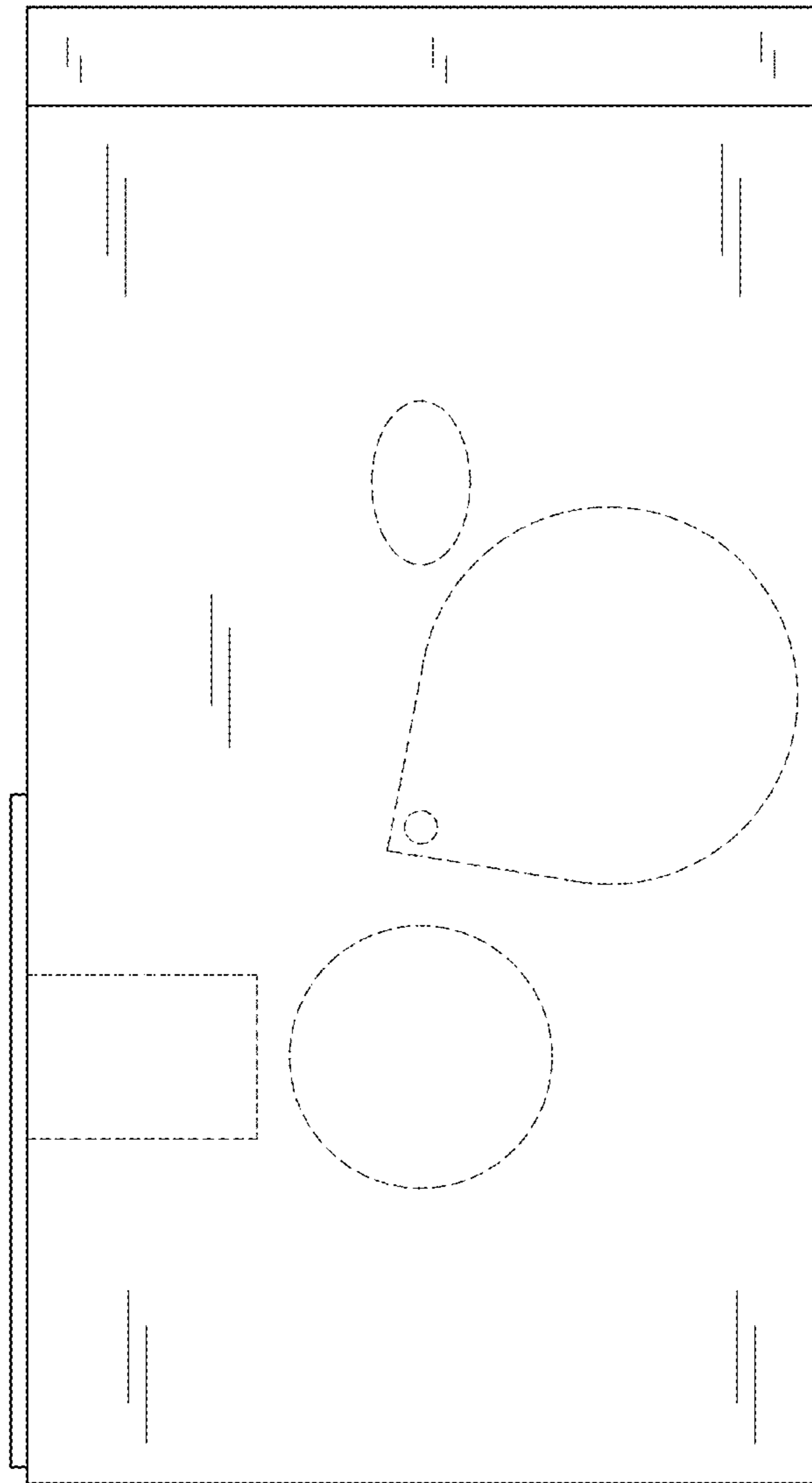


FIG. 19

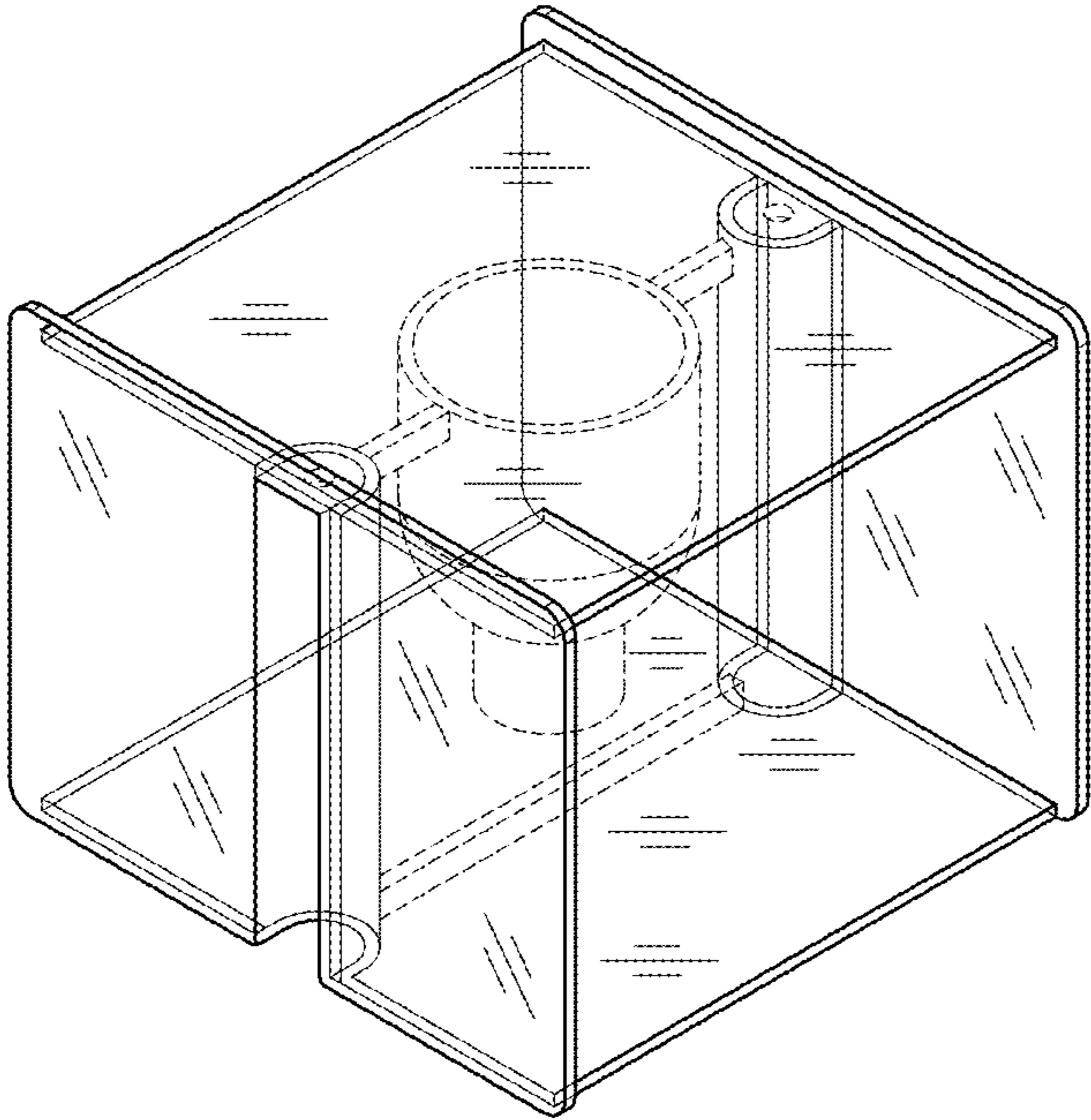
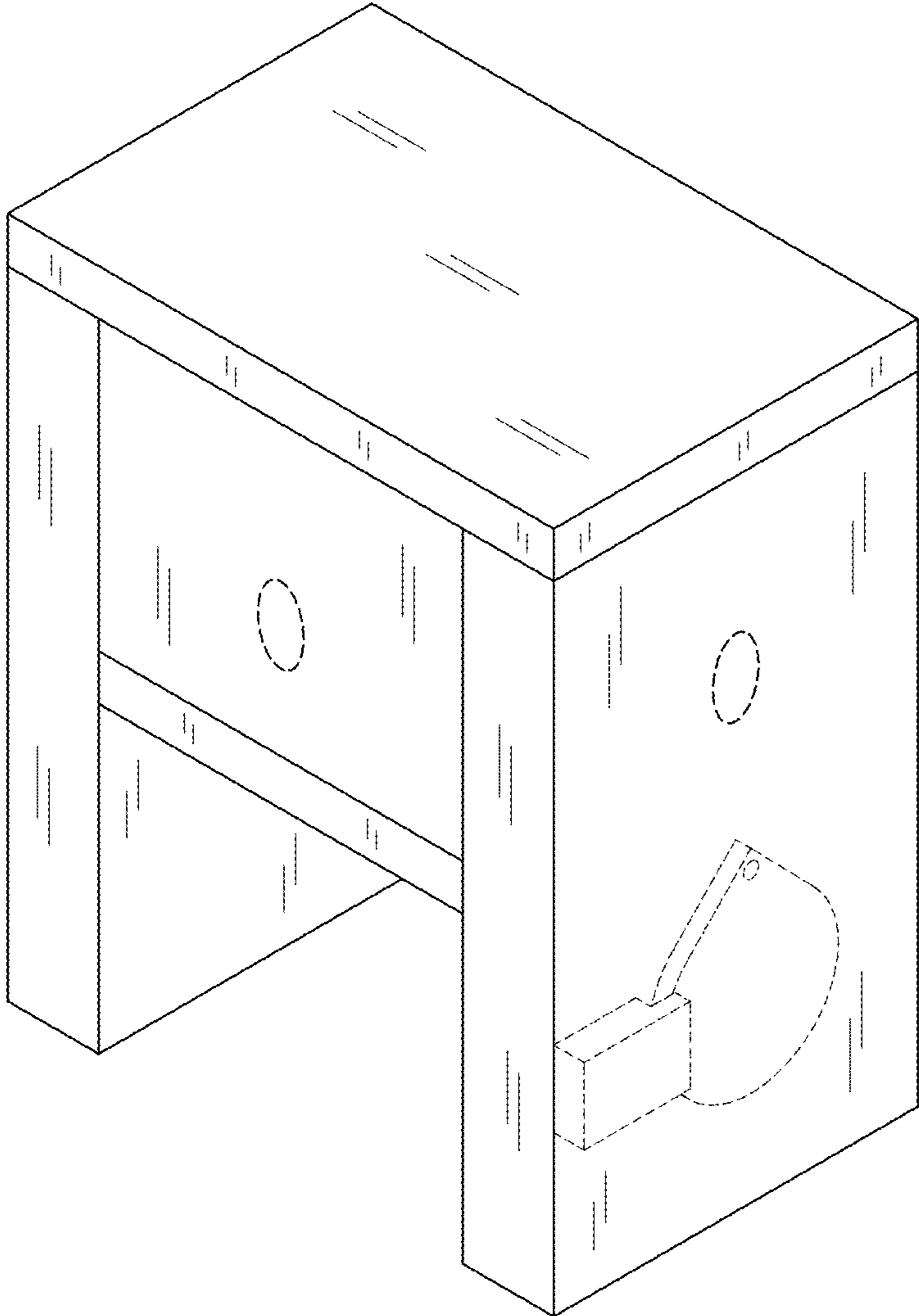


FIG. 20