



US00D923741S

(12) **United States Design Patent**
Williams

(10) **Patent No.:** **US D923,741 S**
(45) **Date of Patent:** **** Jun. 29, 2021**

- (54) **WIRE BRISTLE PEST CONTROL APPARATUS**
- (71) Applicant: **Lamar Williams**, Stockbridge, GA (US)
- (72) Inventor: **Lamar Williams**, Stockbridge, GA (US)
- (**) Term: **15 Years**
- (21) Appl. No.: **29/728,931**
- (22) Filed: **Mar. 23, 2020**

Related U.S. Application Data

- (63) Continuation of application No. 16/020,330, filed on Jun. 27, 2018, now abandoned.
- (51) **LOC (13) Cl.** **22-06**
- (52) **U.S. Cl.**
USPC **D22/119**
- (58) **Field of Classification Search**
USPC D22/119; D25/119, 164; 52/207; 248/346.01; 43/65, 69, 83.5, 88-89, 96, 43/114, 124; 49/425, 493.1
CPC A01M 1/14; A01M 23/00; A01M 23/30; A01M 23/26; A01M 29/30; A01M 23/005; E06B 7/22
See application file for complete search history.

References Cited

U.S. PATENT DOCUMENTS

- 4,488,387 A * 12/1984 Foti E06B 7/22 49/425
- D293,935 S * 1/1988 Allen, Jr. D25/119

- 5,386,882 A 2/1995 Friend
- D425,960 S * 5/2000 O'Hara D22/119
- 6,393,648 B1 5/2002 Reynolds
- 6,415,544 B1 * 7/2002 Leyerle A01M 23/24 43/82
- 6,508,031 B1 * 1/2003 Johnson A01M 23/30 43/83.5
- 7,841,130 B2 * 11/2010 Blau A01M 23/08 43/66
- 9,867,367 B2 1/2018 Schild, III et al.
- 2007/0044267 A1 3/2007 Connolly
- 2009/0000215 A1 1/2009 Francis et al.
- 2010/0199544 A1 * 8/2010 Frisch A01M 23/005 43/81
- 2013/0263494 A1 * 10/2013 Kay A01M 23/00 43/58
- 2016/0029616 A1 2/2016 Johnston

* cited by examiner

Primary Examiner — Catherine R Oliver-Garcia

(74) *Attorney, Agent, or Firm* — BakerHostetler

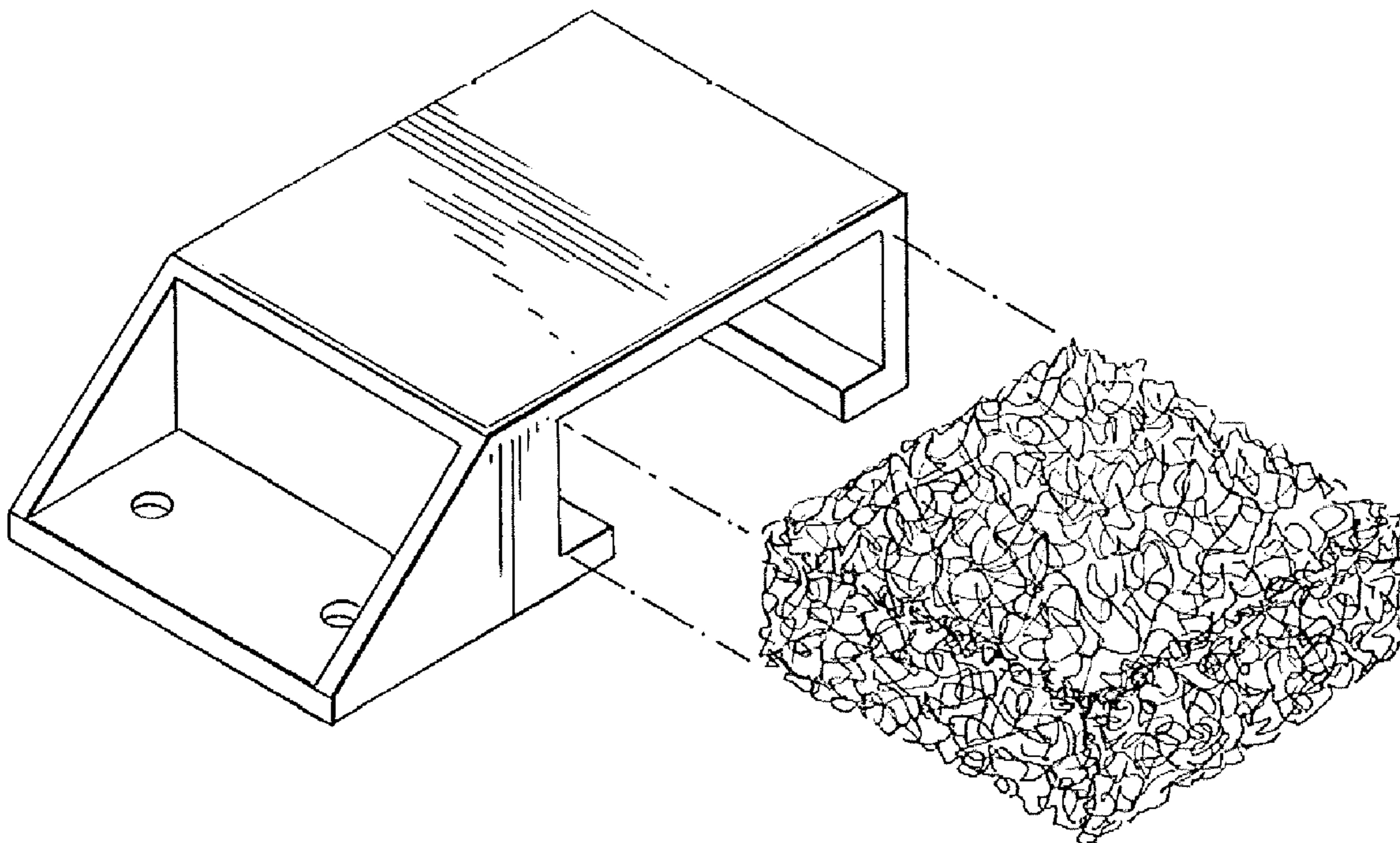
(57) **CLAIM**

The ornamental design for a wire bristle pest control apparatus, as shown and described.

DESCRIPTION

FIG. 1 is a perspective view of a wire bristle pest control apparatus;
FIG. 2 is a left side and top view thereof; and,
FIG. 3 is a left side and bottom view thereof.

1 Claim, 1 Drawing Sheet



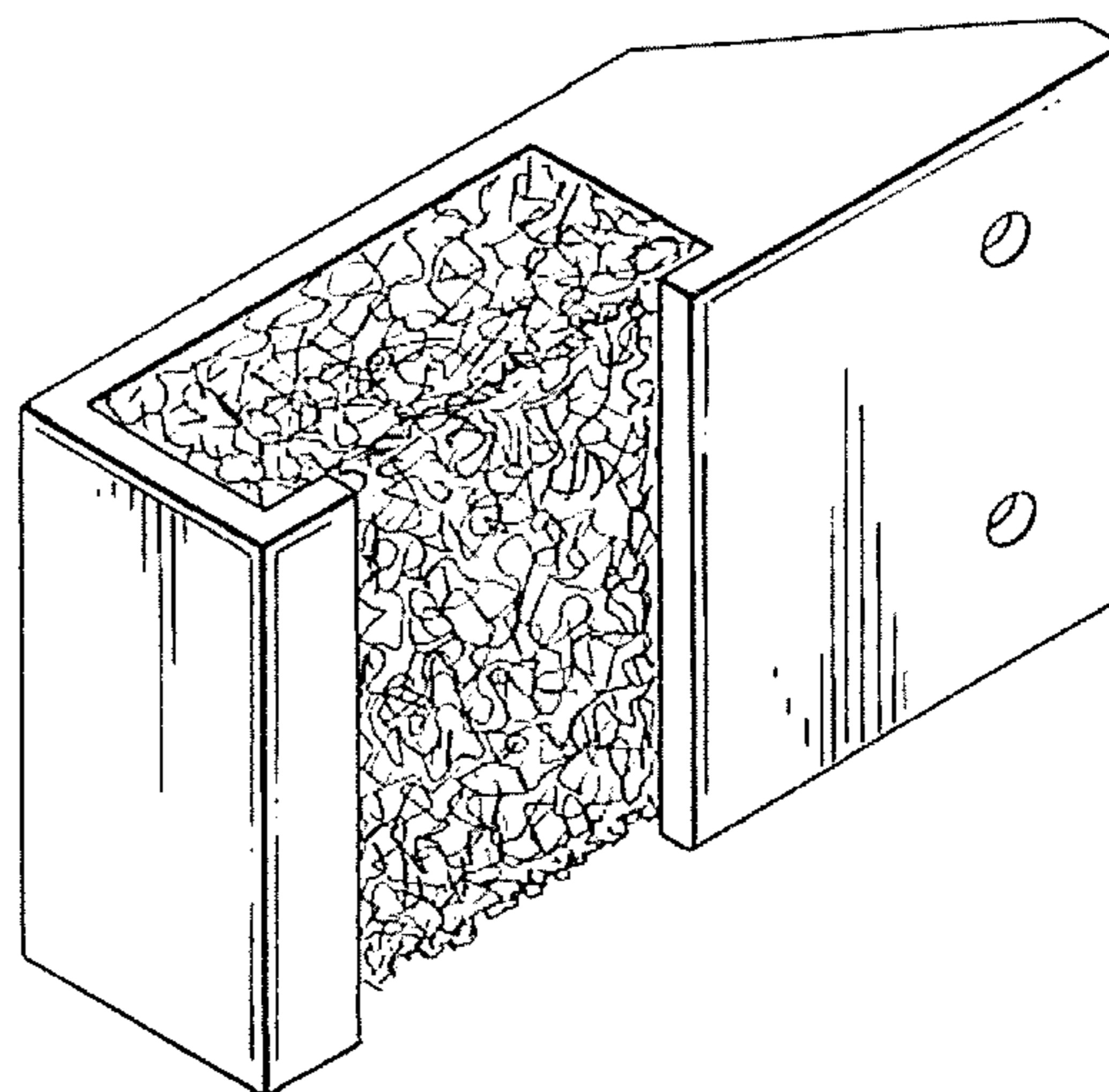
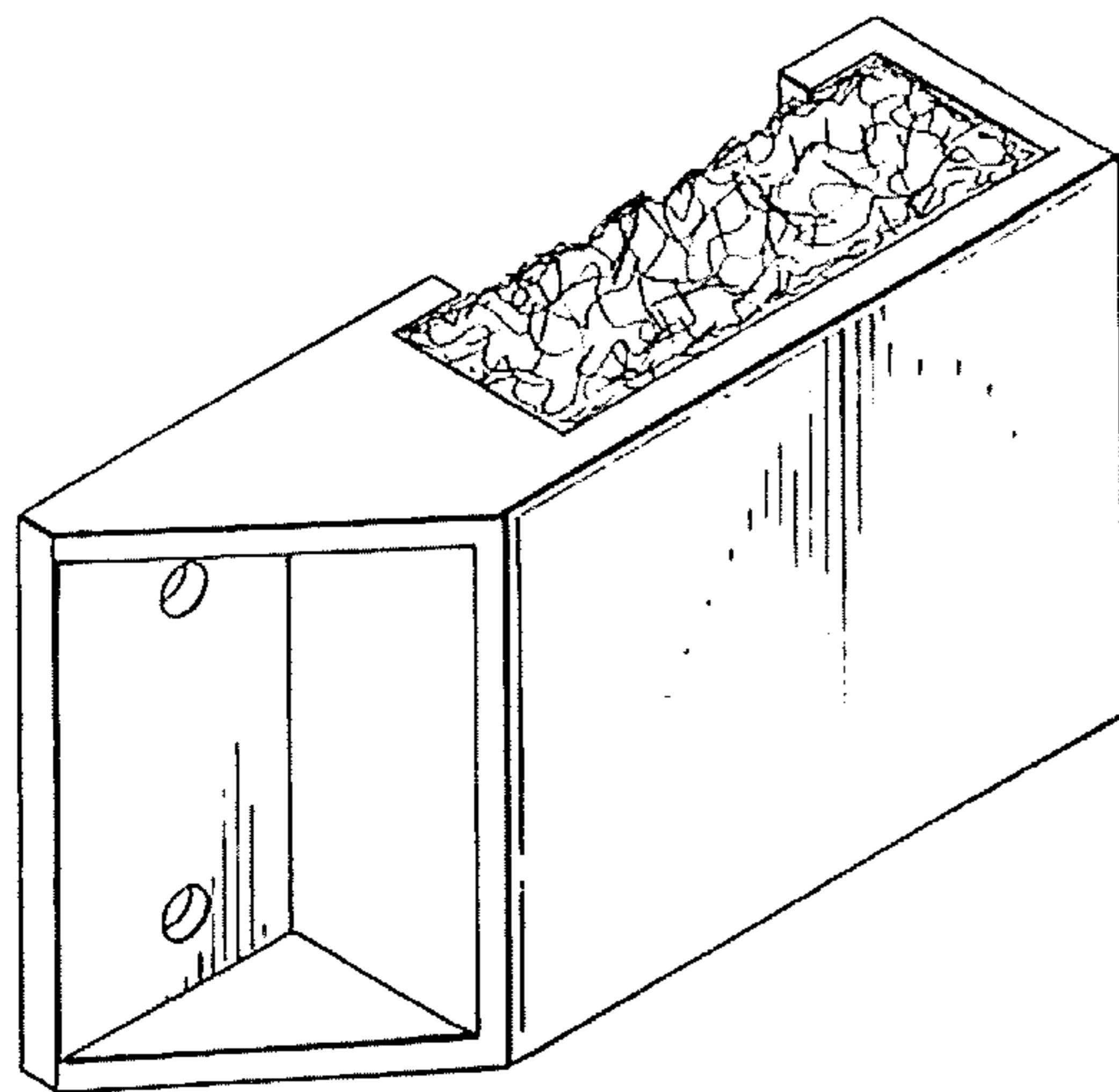
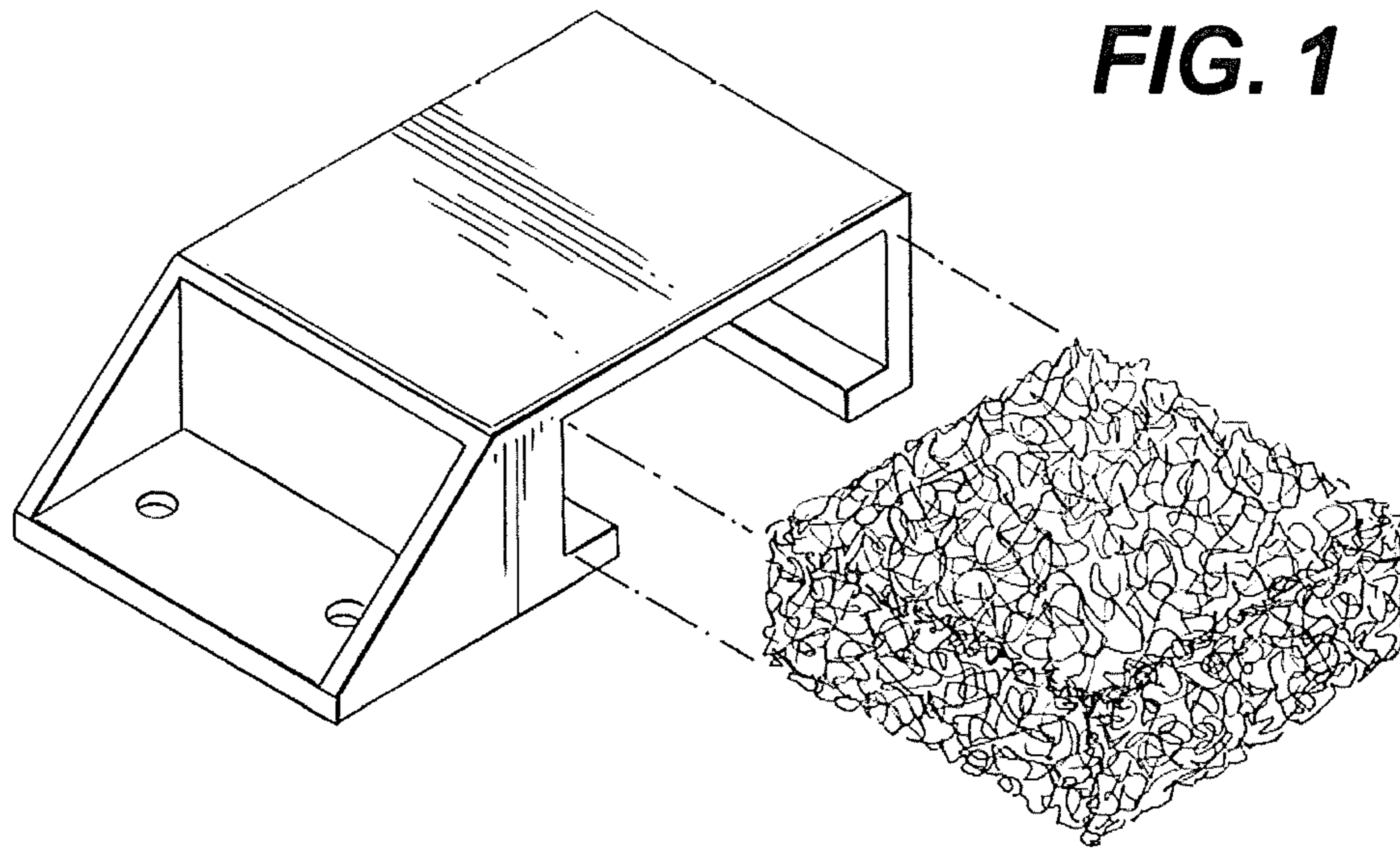


FIG. 1

FIG. 2

FIG. 3