



US00D923740S

(12) **United States Design Patent**
Cohen

(10) **Patent No.:** **US D923,740 S**

(45) **Date of Patent:** **** Jun. 29, 2021**

(54) **KNIFE**

(71) Applicant: **Isaac H. Cohen**, Phoenix, AZ (US)

(72) Inventor: **Isaac H. Cohen**, Phoenix, AZ (US)

(**) Term: **15 Years**

(21) Appl. No.: **29/727,730**

(22) Filed: **Mar. 12, 2020**

(51) **LOC (13) Cl.** **22-02**

(52) **U.S. Cl.**
USPC **D22/118**

(58) **Field of Classification Search**
USPC D8/14, 20, 45, 47, 98, 99, 100; D22/118;
D32/46; D7/649
CPC B26B 1/00; B26B 1/02; B26B 1/04; B26B
5/00; B26B 5/006; B26B 1/10; B26B
1/046; B26B 9/00; B26B 9/02; B26B
3/00; B26B 3/06
See application file for complete search history.

(56) **References Cited**

U.S. PATENT DOCUMENTS

4,283,854	A *	8/1981	Austin	B26B 3/06 16/430
D262,731	S *	1/1982	Austin	D22/118
D270,654	S *	9/1983	Barrett	D22/117
D293,013	S *	12/1987	Manniso	D22/118
4,920,648	A *	5/1990	Jones	B26B 3/06 30/153
D322,019	S *	12/1991	Cox	D8/76
5,398,360	A *	3/1995	Alexander	B26B 3/06 30/143

D379,211	S *	5/1997	Thompson	D22/118
D382,187	S *	8/1997	Hibben	D22/118
D430,917	S *	9/2000	Hall	D22/118
D461,217	S *	8/2002	Hall	D22/118
D473,613	S *	4/2003	Rae	D22/118
D473,625	S *	4/2003	Rae	D22/118
D495,772	S *	9/2004	Hibben	D22/118
D593,833	S *	6/2009	Newhall	D8/76
D696,917	S *	1/2014	Robley	D8/76
D755,343	S *	5/2016	Freeman	D22/118
2021/0078189	A1 *	3/2021	Bin Othman	B26B 3/04

* cited by examiner

Primary Examiner — Philip S Hyder

(74) *Attorney, Agent, or Firm* — Vista IP Law Group LLP

(57) **CLAIM**

The ornamental design for the knife, as shown and described.

DESCRIPTION

FIG. 1 is a perspective view of a knife showing the new design.

FIG. 2 is a perspective view of the blade of the knife of FIG. 1.

FIG. 3 is a front view (from the tip) of the knife of FIG. 1. FIG. 4 is a back view (from the handle) of the knife of FIG. 1.

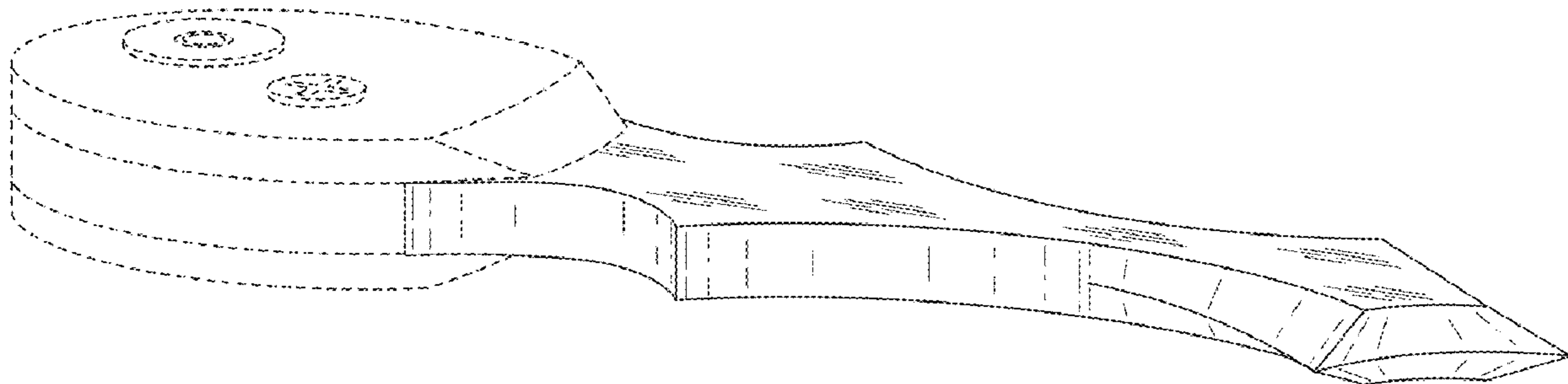
FIG. 5 is a bottom view of the knife of FIG. 1.

FIG. 6 is a top view of the knife of FIG. 1.

FIG. 7 is a left side plan view of the knife of FIG. 1; and, FIG. 8 is a right side plan view of the knife of FIG. 1.

The broken lines represent portions of the knife that form no part of the claimed design.

1 Claim, 2 Drawing Sheets



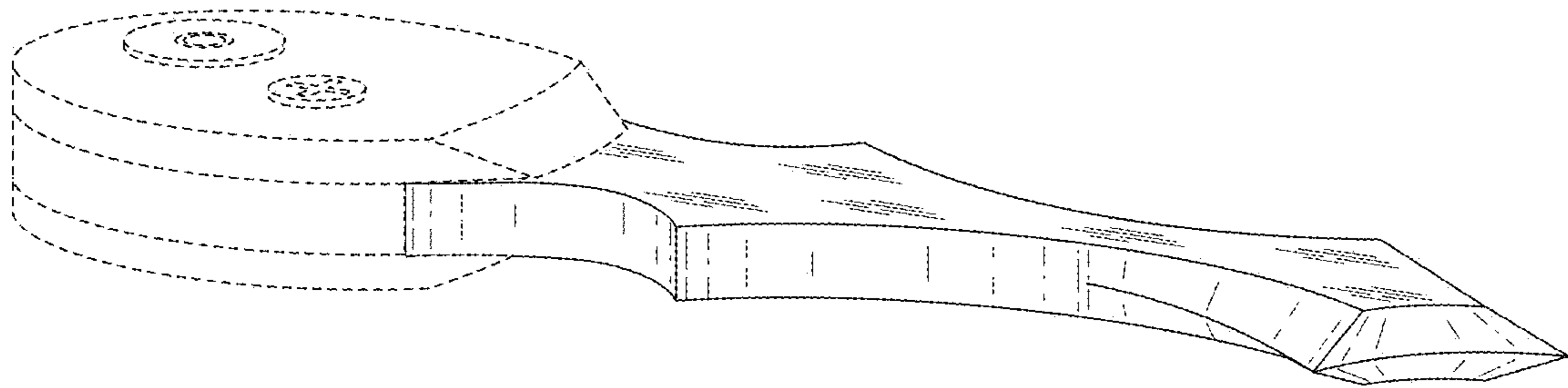


Fig. 1

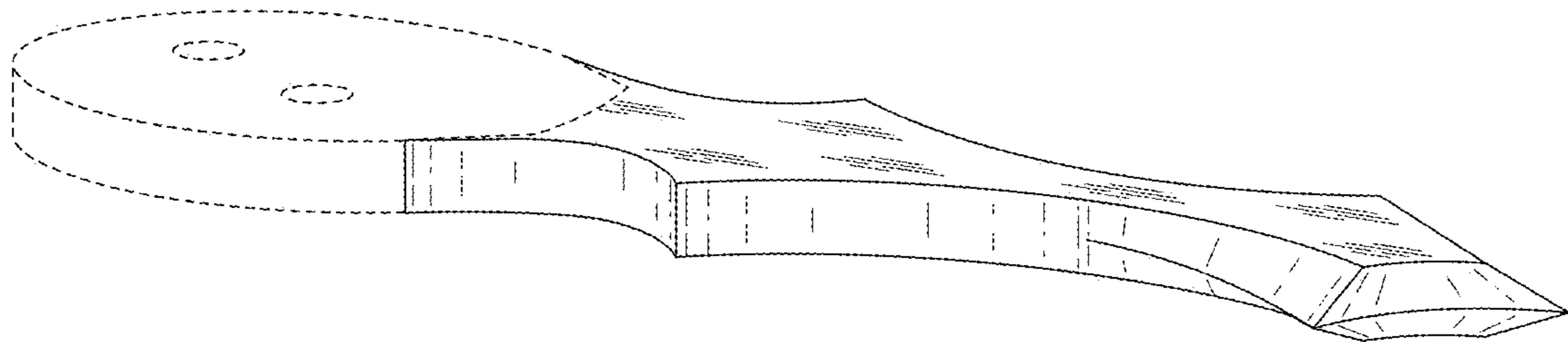


Fig. 2

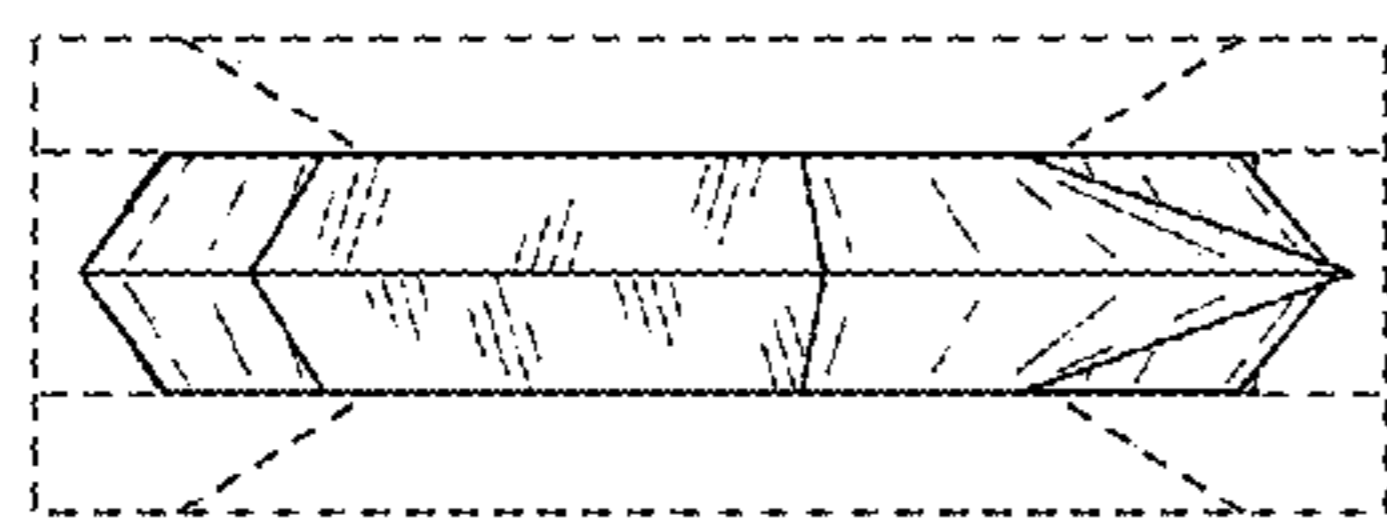


Fig. 3

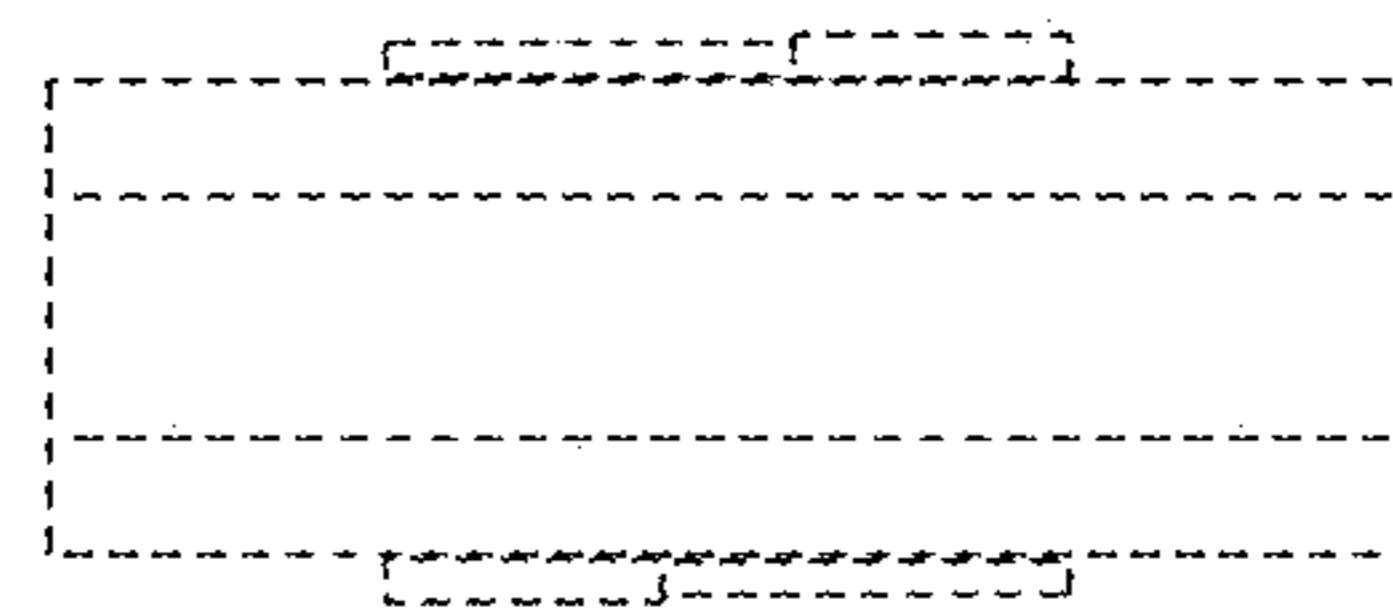


Fig. 4

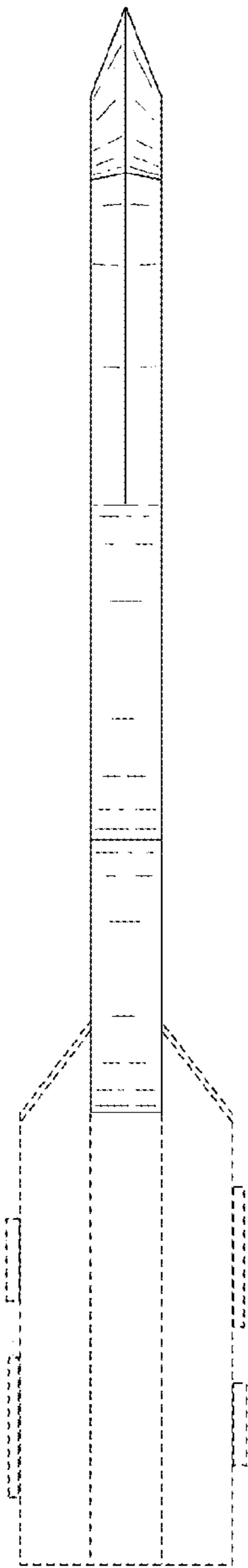


Fig. 5

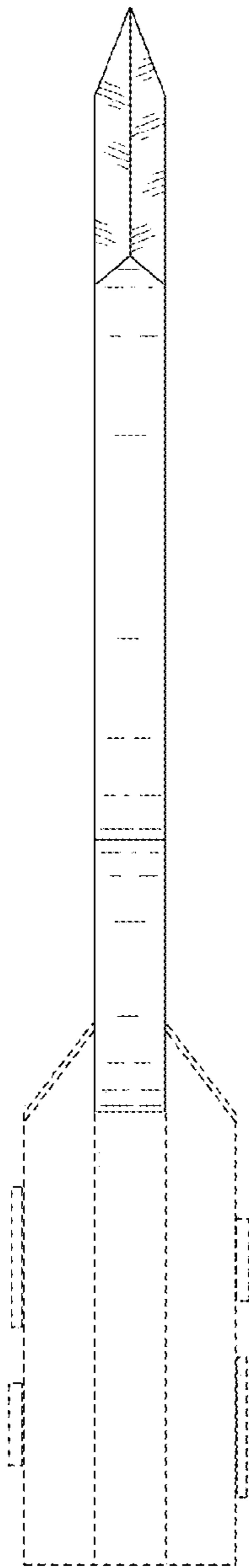


Fig. 6

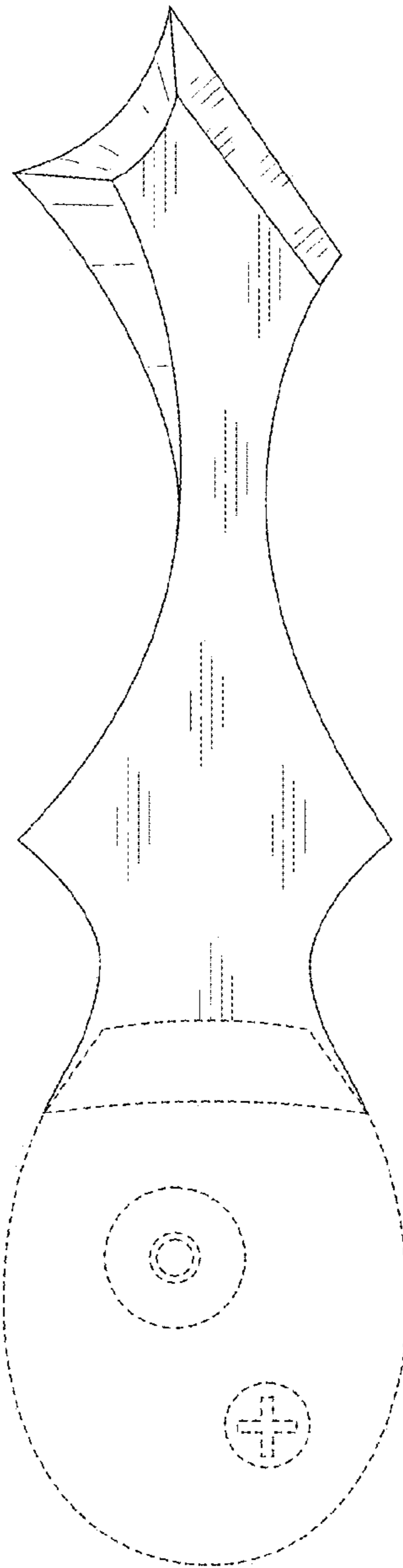


Fig. 7

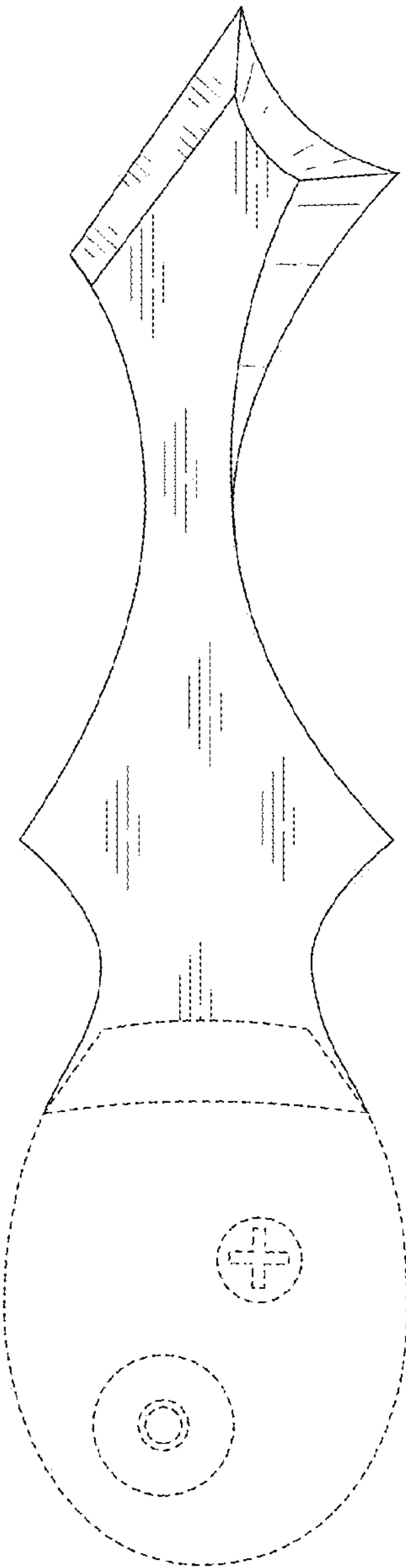


Fig. 8