



US00D923739S

(12) **United States Design Patent**  
**Miller et al.**

(10) **Patent No.:** **US D923,739 S**  
(45) **Date of Patent:** **\*\* Jun. 29, 2021**

(54) **RIFLE SCOPE**

(71) Applicant: **EOTECH, LLC**, Ann Arbor, MI (US)

(72) Inventors: **Mark David Miller**, Monroe, MI (US);  
**John Anthony Bailey**, Livonia, MI (US);  
**Aaron Lee Hampton**, Columbus, GA (US)

(73) Assignee: **EOTECH, LLC**, Ann Arbor, MI (US)

(\*\*) Term: **15 Years**

(21) Appl. No.: **29/595,930**

(22) Filed: **Mar. 3, 2017**

(51) **LOC (13) Cl.** ..... **22-01**

(52) **U.S. Cl.**  
USPC ..... **D22/109**

(58) **Field of Classification Search**  
USPC ..... D22/100, 101, 102, 103, 104, 105, 106,  
D22/107, 108, 109, 110, 111, 115, 116,  
D22/199; D21/300, 301, 302, 306, 334,  
D21/335, 443, 571, 573-575, 746  
CPC ..... F41C 23/14; F41C 23/20; F41C 23/04;  
F41C 23/00; F41C 23/10; F41C 27/00;  
F41C 7/00; F41C 23/06; F41C 3/00;  
F41B 5/10; F41B 5/14; F41B 5/0094;  
F41B 5/1469; F41B 5/00

See application file for complete search history.

(56) **References Cited**

**U.S. PATENT DOCUMENTS**

D308,981 S \* 7/1990 Moore ..... D16/132  
6,005,711 A \* 12/1999 Mai ..... G02B 7/10  
359/399  
6,691,447 B1 \* 2/2004 Otteman ..... F41G 1/38  
359/429  
D668,312 S \* 10/2012 Asano ..... D22/109  
D681,152 S \* 4/2013 Burzel ..... D22/109  
D689,163 S \* 9/2013 Radau ..... D22/109  
D689,582 S \* 9/2013 Radau ..... D22/109

D706,380 S \* 6/2014 Gardiner ..... D22/109  
D706,381 S \* 6/2014 Gardiner ..... D22/109  
D707,324 S \* 6/2014 Radau ..... D22/109  
D723,652 S \* 3/2015 Radau ..... D22/109  
D728,060 S \* 4/2015 Vogl ..... D22/109  
D728,061 S \* 4/2015 Vogl ..... D22/109  
D779,622 S \* 2/2017 Thomas ..... D22/109  
D783,115 S \* 4/2017 Noller ..... D22/109  
D792,939 S \* 7/2017 Proll ..... D22/109  
D807,983 S \* 1/2018 Shi ..... D22/109

(Continued)

**OTHER PUBLICATIONS**

“Bushnell Bolsters Their LRHSi Riflescopes & Chases the Target Shooters Market” [online]. Adam Scepaniak. [Published on Jul. 27, 2016]. Retrieved from the Internet: <<https://www.thefirearmblog.com/blog/2016/07/27/bushnell-bolsters-lrhsi-riflescopes-chases-target-shooters-market/>>.\*

(Continued)

*Primary Examiner* — Khawaja Anwar  
*Assistant Examiner* — Mojtaba Tehrani  
(74) *Attorney, Agent, or Firm* — Bodman PLC

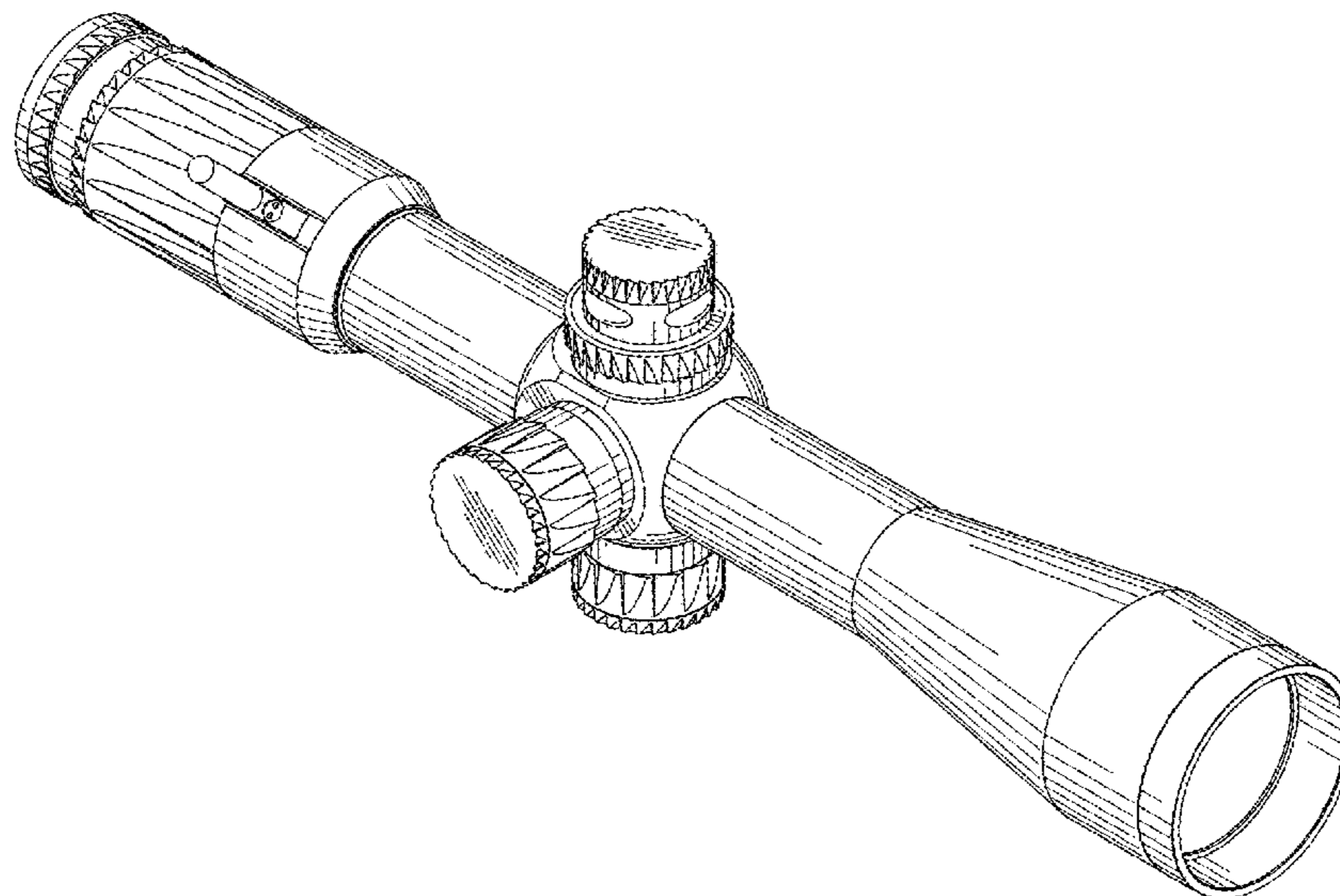
(57) **CLAIM**

The ornamental design for a rifle scope, as shown and described.

**DESCRIPTION**

FIG. 1 is a front perspective view of a rifle scope, showing our new design;  
FIG. 2 is a top view thereof;  
FIG. 3 is a bottom view thereof;  
FIG. 4 is a left side view thereof;  
FIG. 5 is a right side view thereof;  
FIG. 6 is a front view thereof; and,  
FIG. 7 is a rear view thereof.  
The broken lines shown in the drawings represent portions of the rifle scope that form no part of the claimed design.

**1 Claim, 4 Drawing Sheets**



(56)

**References Cited**

U.S. PATENT DOCUMENTS

D818,075	S *	5/2018	Zeppetzaer	.....	D22/109
D819,163	S *	5/2018	Hoshi	.....	D22/109
D828,478	S *	9/2018	Thomas	.....	D22/108
D831,777	S *	10/2018	Davidson	.....	D22/109
D832,971	S *	11/2018	Hoshi	.....	D22/109
D844,092	S *	3/2019	Ding	.....	D22/108
10,330,438	B2 *	6/2019	Schmidt	.....	F41G 1/08
10,451,888	B2 *	10/2019	Hamilton	.....	G02B 27/32
D877,789	S *	3/2020	Proell	.....	D16/133
2013/0276345	A1 *	10/2013	Hamilton	.....	F41G 1/38
					42/119
2015/0124243	A1 *	5/2015	Stockdill	.....	G02B 23/16
					356/16
2017/0241742	A1 *	8/2017	Davidson	.....	F41G 1/38

OTHER PUBLICATIONS

“Leupold to Discontinue Mark 4 Sales to Civilians; Will Only Sell to Military & Law Enforcement” [online]. Adam Scepaniak. [Published on Jun. 6, 2016]. Retrieved from the Internet: <<https://www.thefirearmblog.com/blog/2016/06/06/leupold-to-discontinue-mark-4-sales-to-civilians-will-only-sell-to-military-law-enforcem>>.\*

\* cited by examiner

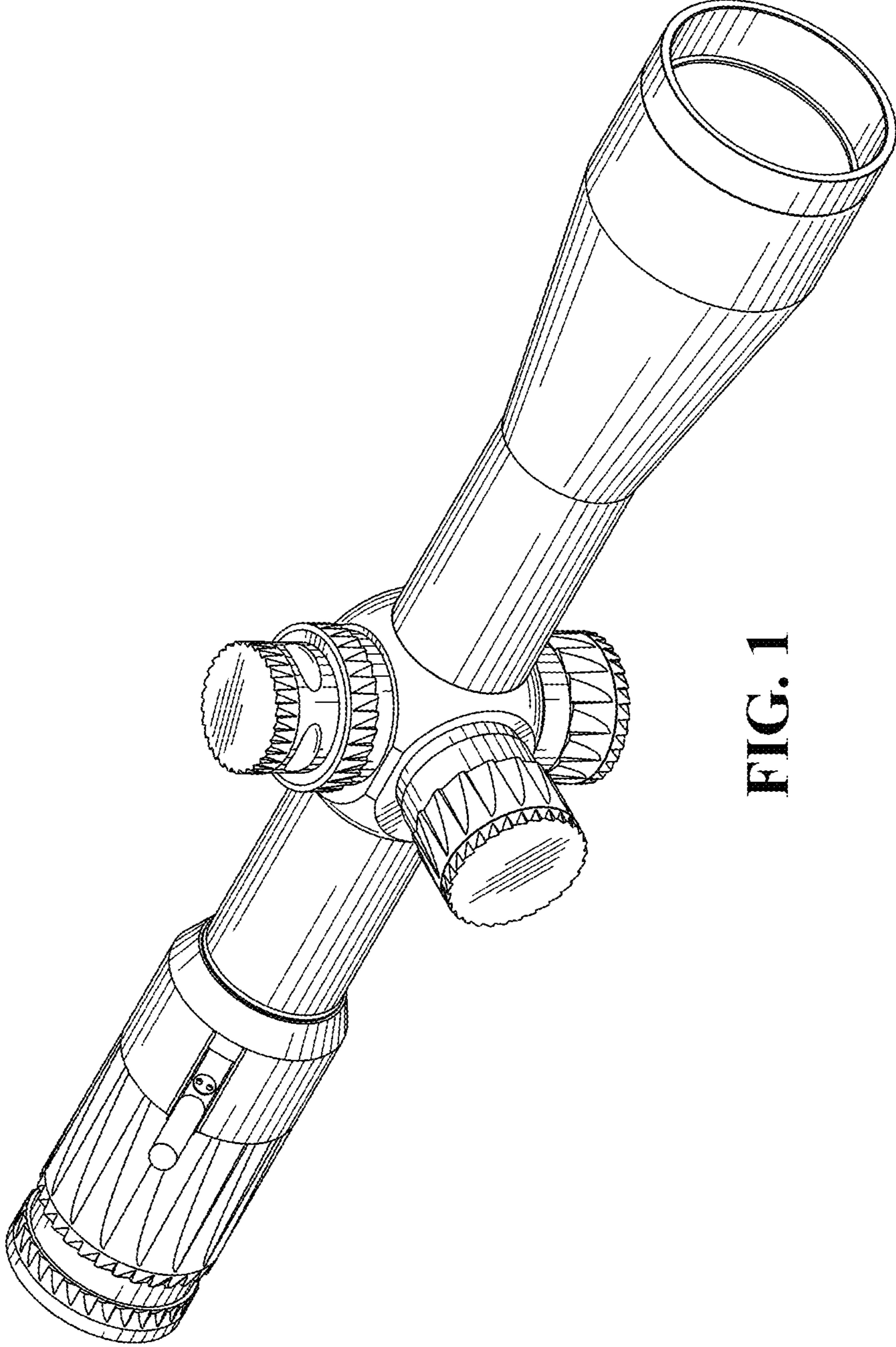


FIG. 1



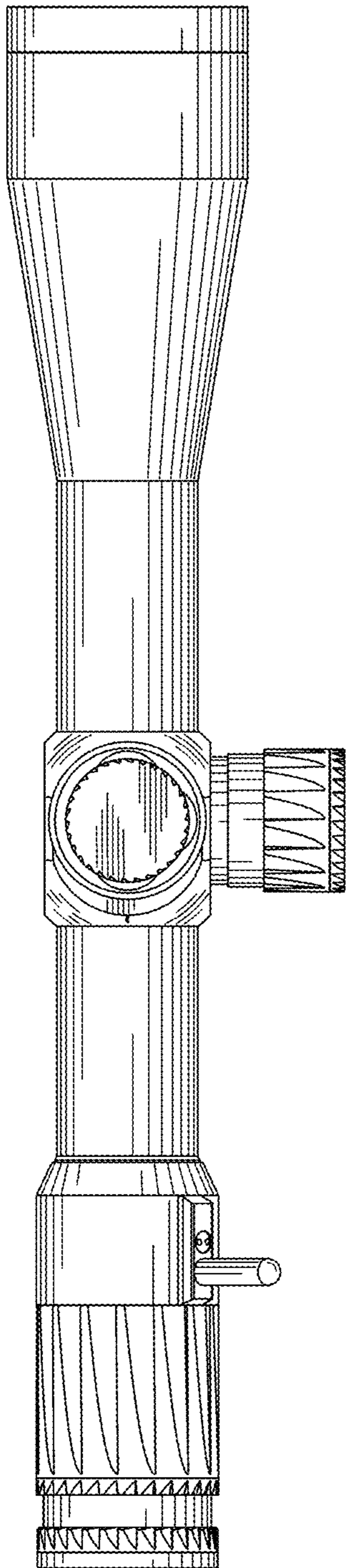


FIG. 2

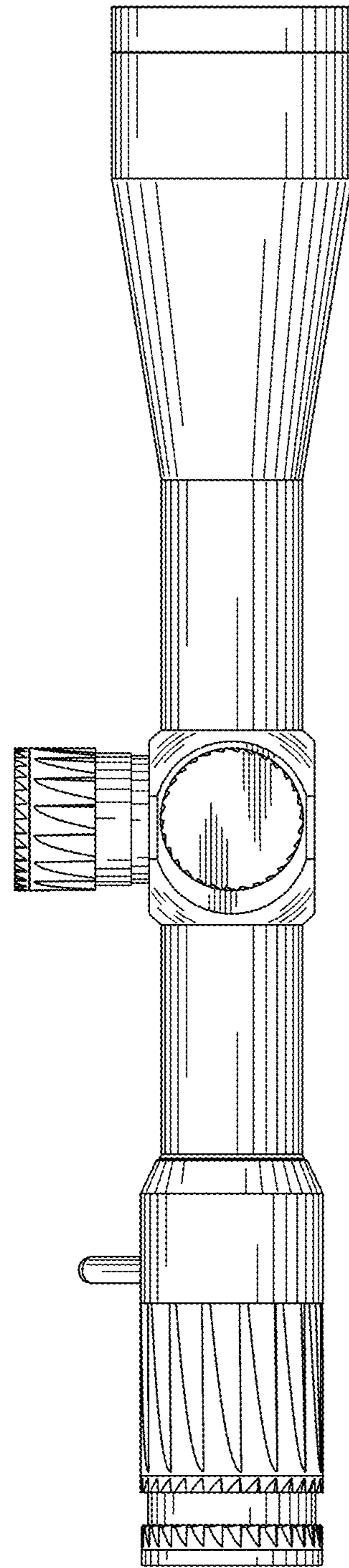


FIG. 3

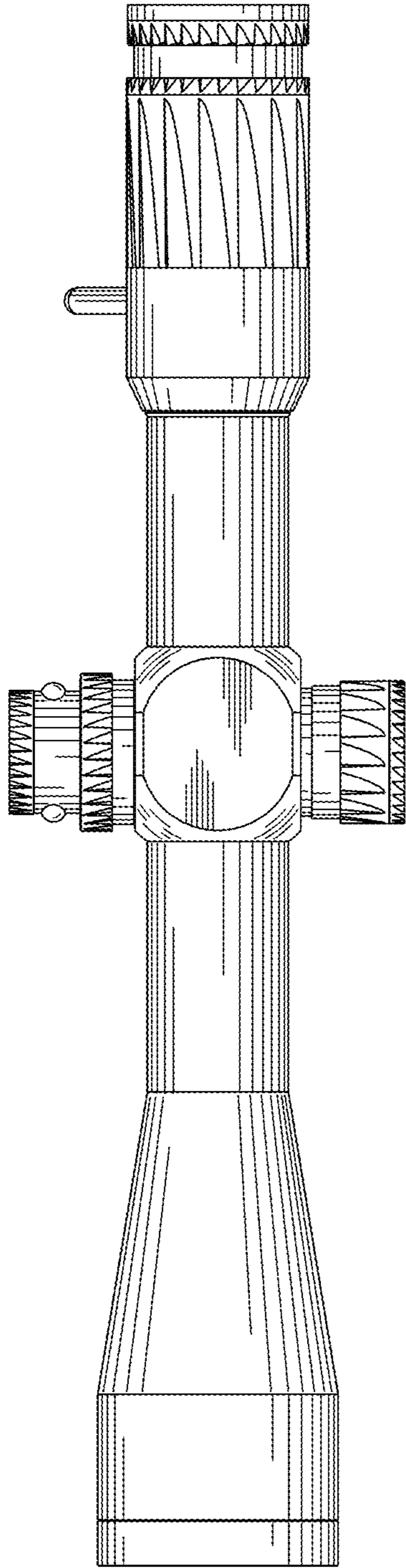


FIG. 4

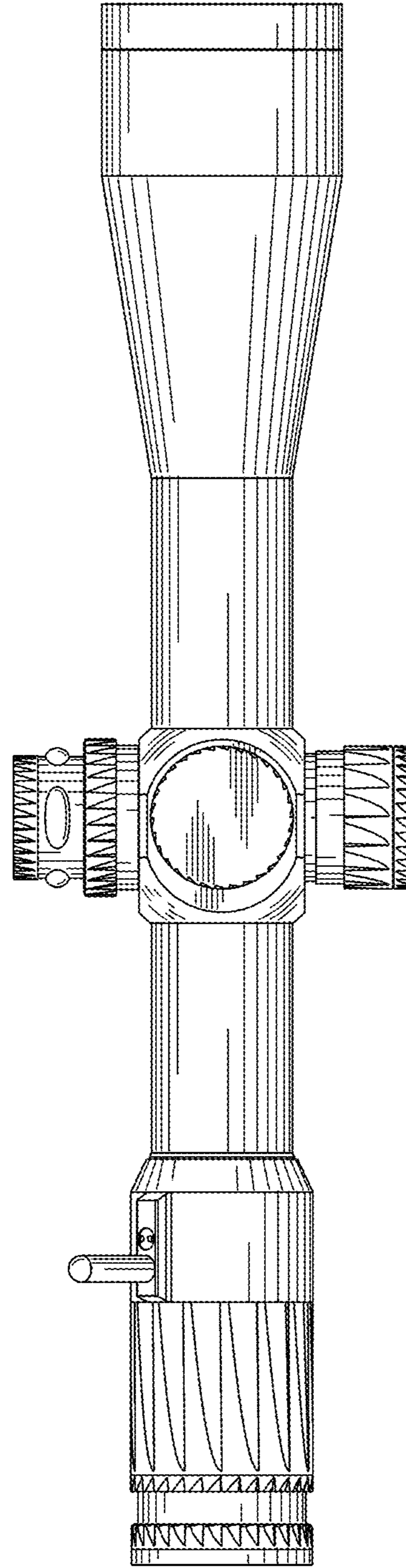


FIG. 5

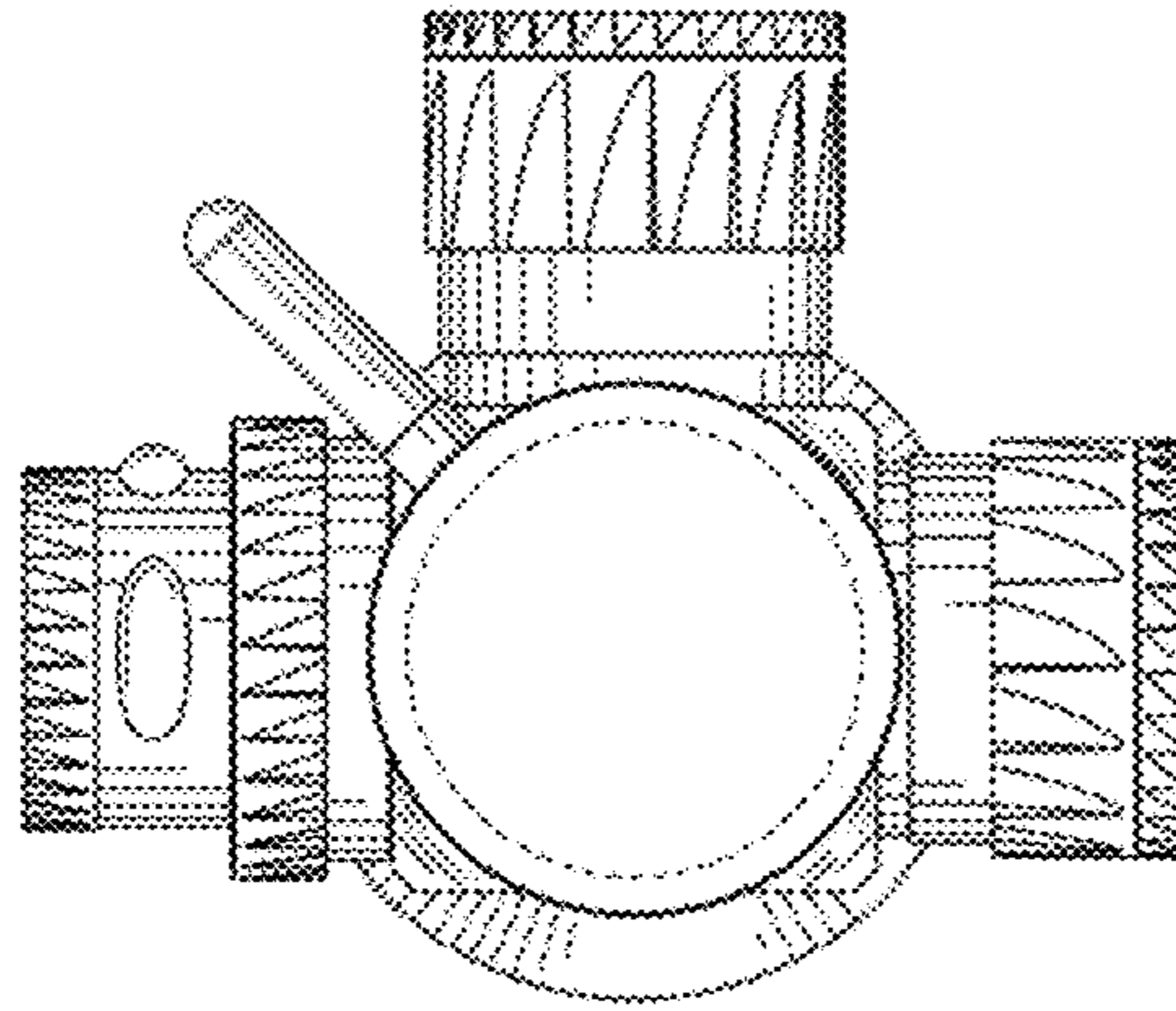


FIG. 7

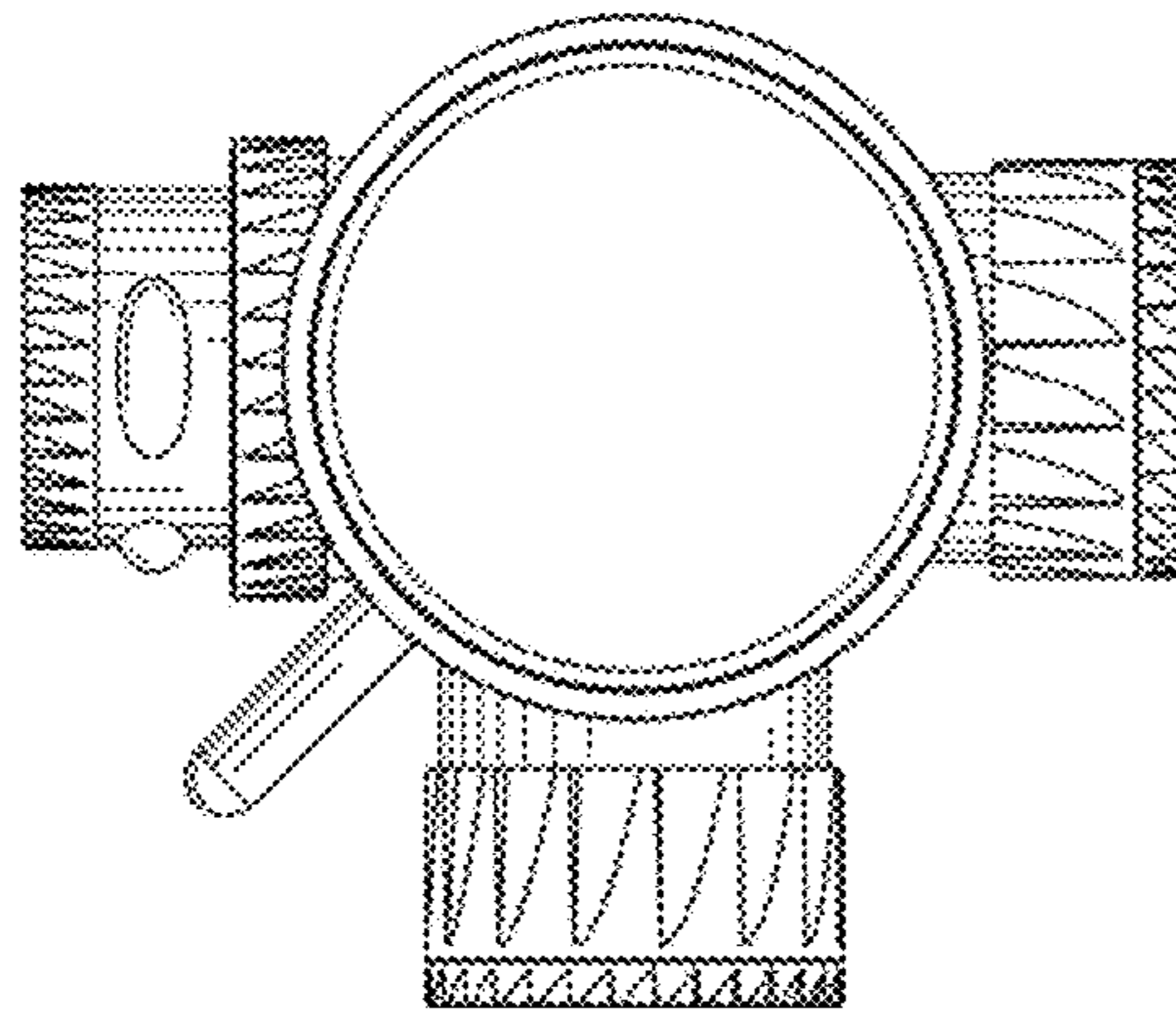


FIG. 6