



US00D923738S

(12) **United States Design Patent**
Chen

(10) **Patent No.:** **US D923,738 S**

(45) **Date of Patent:** **** Jun. 29, 2021**

(54) **BROADHEAD ARROW**
(71) Applicant: **Shenzhen Feiyachi Industrial Co., Ltd.**, Shenzhen (CN)
(72) Inventor: **Guozheng Chen**, Shenzhen (CN)
(**) Term: **15 Years**
(21) Appl. No.: **29/759,461**
(22) Filed: **Nov. 23, 2020**

8,043,178 B2 * 10/2011 Sames F42B 6/08
473/583
D663,004 S * 7/2012 Isringhausen D22/107
8,398,510 B1 * 3/2013 Mizek F42B 6/08
473/583
D702,802 S 4/2014 Marshall, Jr.
D730,471 S 5/2015 Pedersen
D743,500 S * 11/2015 Pedersen D22/107
D750,723 S * 3/2016 Rager D22/107
9,329,006 B1 * 5/2016 Hansen F42B 6/08
9,400,160 B1 * 7/2016 Miles F42B 6/08
9,423,504 B1 * 8/2016 Gossett G01S 19/19
2013/0237350 A1 * 9/2013 Rager C21D 9/0068
473/584

(30) **Foreign Application Priority Data**

Nov. 4, 2020 (CN) 202030664621.6

(51) **LOC (13) Cl.** **22-01**

(52) **U.S. Cl.**
USPC **D22/107**

(58) **Field of Classification Search**
USPC D22/107, 115–116
CPC F42B 6/04; F42B 6/08; F42B 6/003; F42B
6/02; F42B 12/362

See application file for complete search history.

(56) **References Cited**

U.S. PATENT DOCUMENTS

D342,303 S * 12/1993 Johnson D22/115
6,663,518 B1 * 12/2003 Kuhn F42B 6/08
473/583
6,887,172 B2 * 5/2005 Arasmith F42B 6/08
473/583
6,966,856 B1 * 11/2005 Hajek F42B 6/08
473/583
7,311,622 B1 * 12/2007 Futterer F42B 6/08
473/583

* cited by examiner

Primary Examiner — Michael A. Pratt

(74) *Attorney, Agent, or Firm* — W&K IP

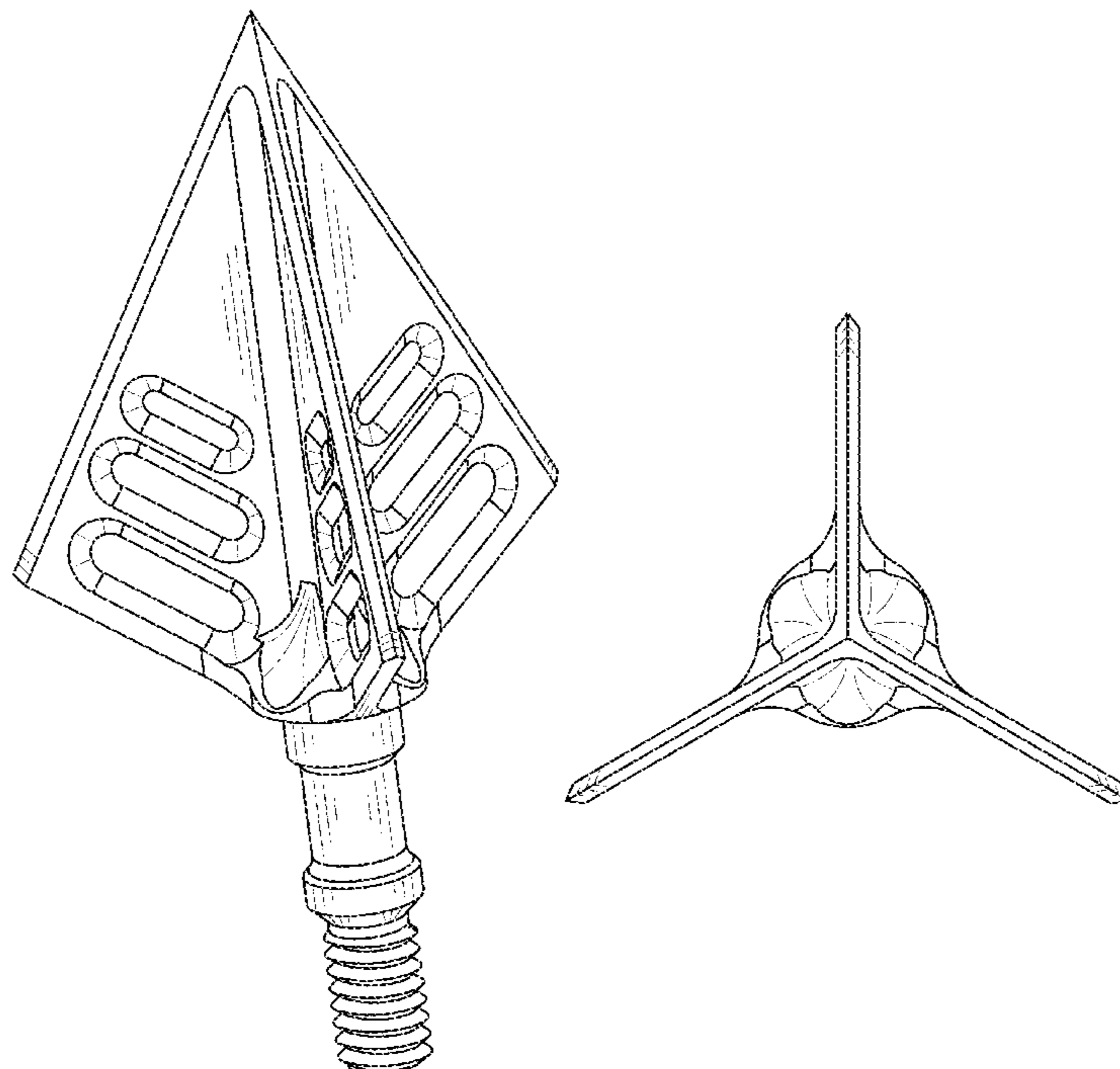
(57) **CLAIM**

The ornamental design for a broadhead arrow, as shown and described.

DESCRIPTION

FIG. 1 is a perspective view of a broadhead arrow showing my new design;
FIG. 2 is a front view thereof;
FIG. 3 is a rear view thereof;
FIG. 4 is a left side view thereof;
FIG. 5 is a right side view thereof;
FIG. 6 is a top plan view thereof;
FIG. 7 is a bottom plan view thereof; and,
FIG. 8 is another perspective view thereof.

1 Claim, 8 Drawing Sheets



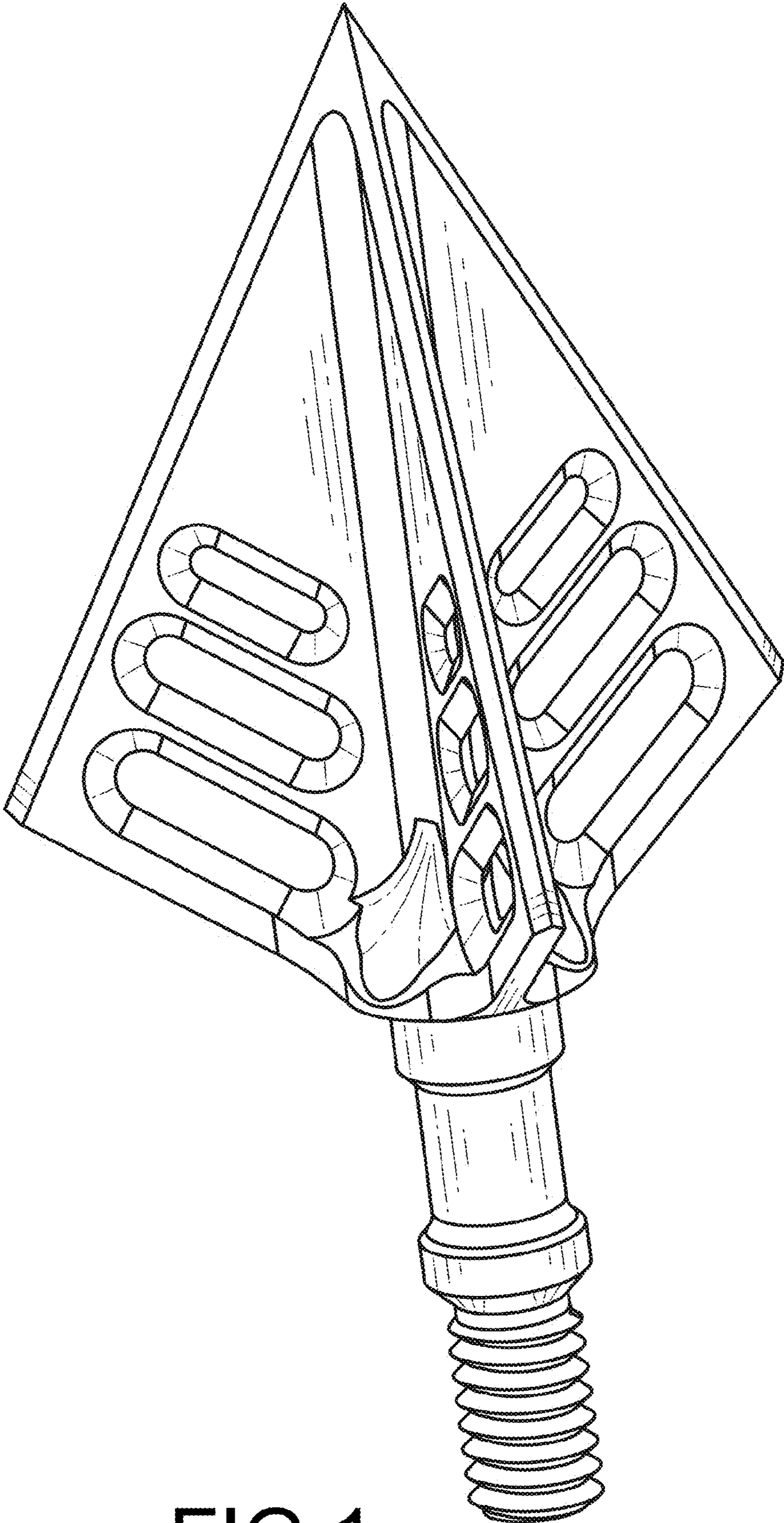


FIG.1

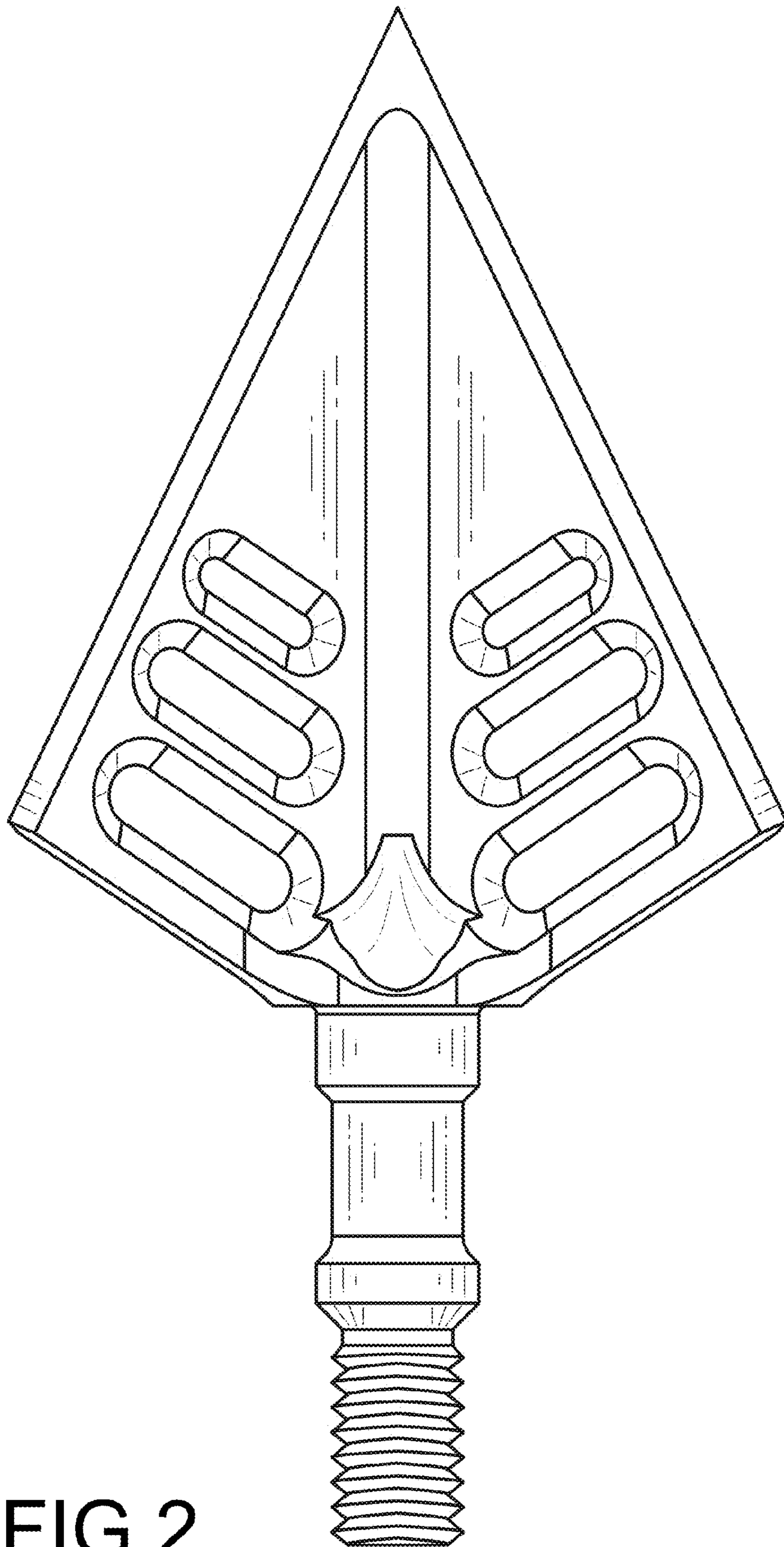


FIG.2

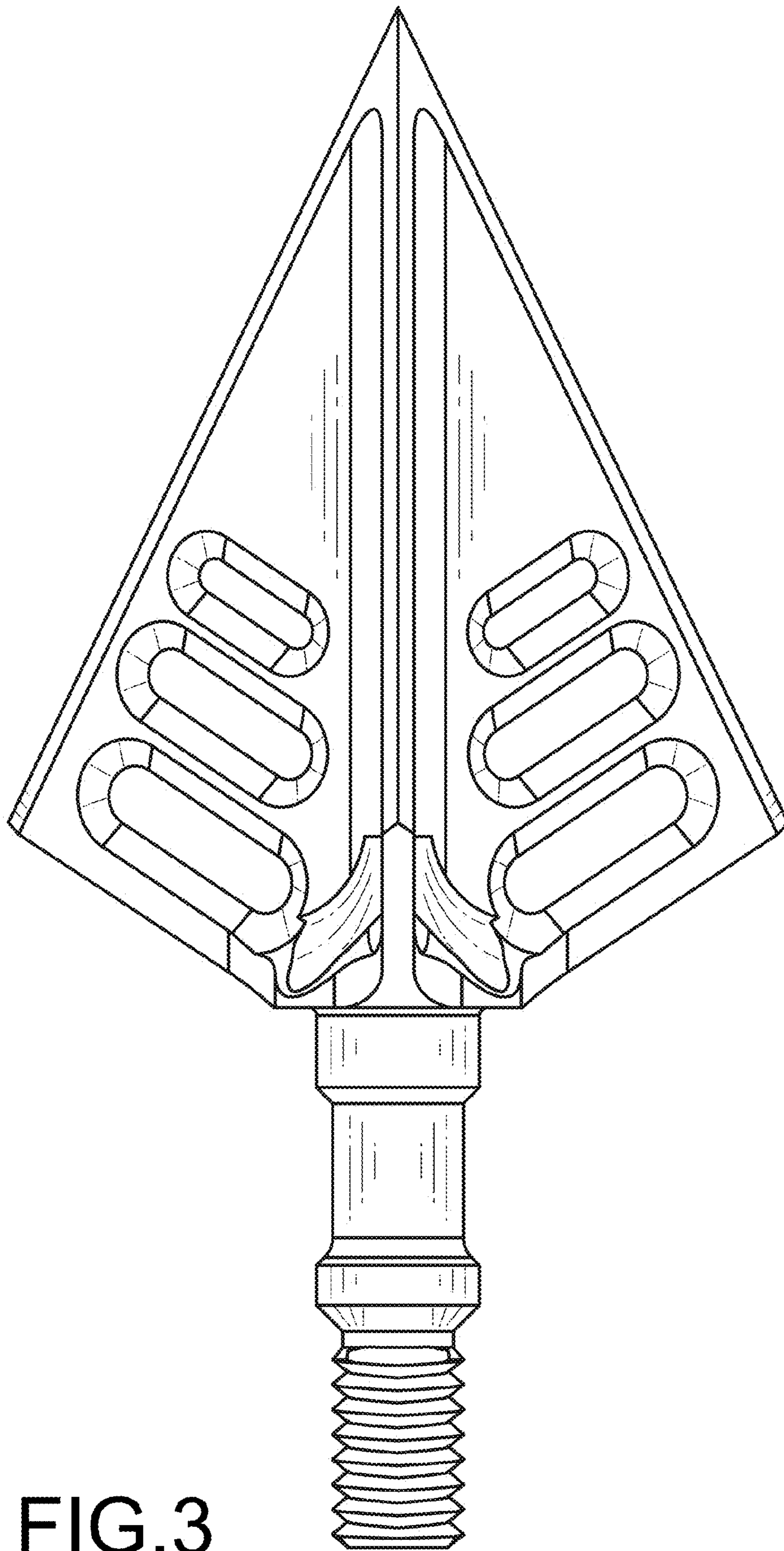


FIG.3

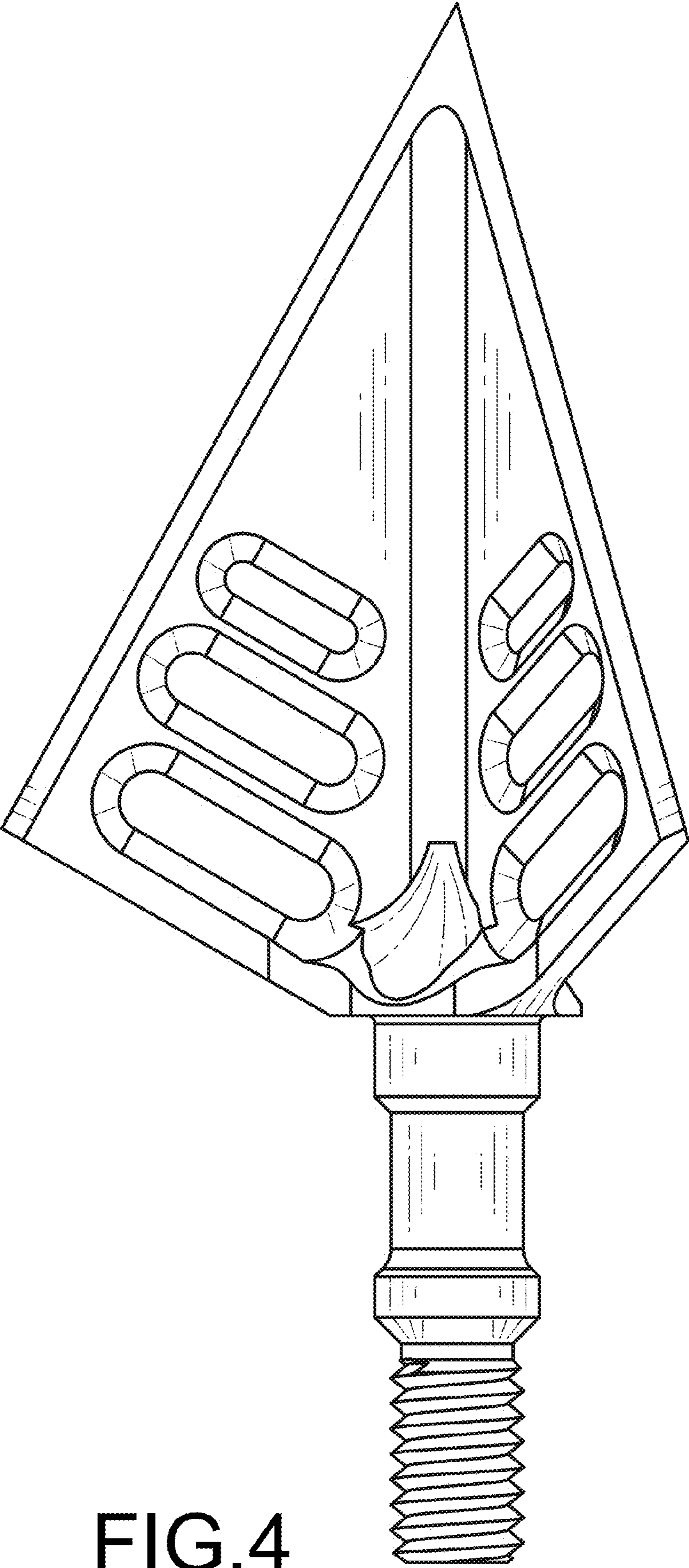


FIG.4

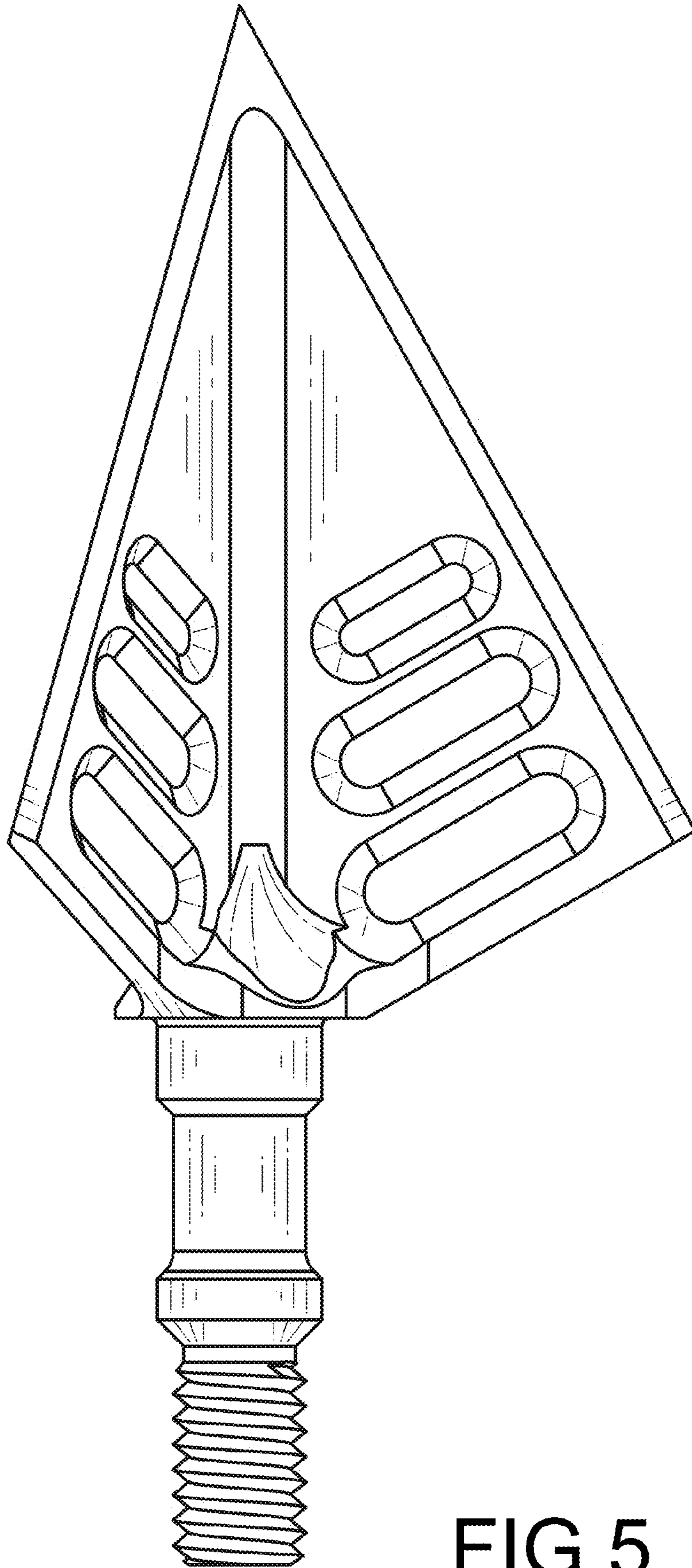


FIG.5

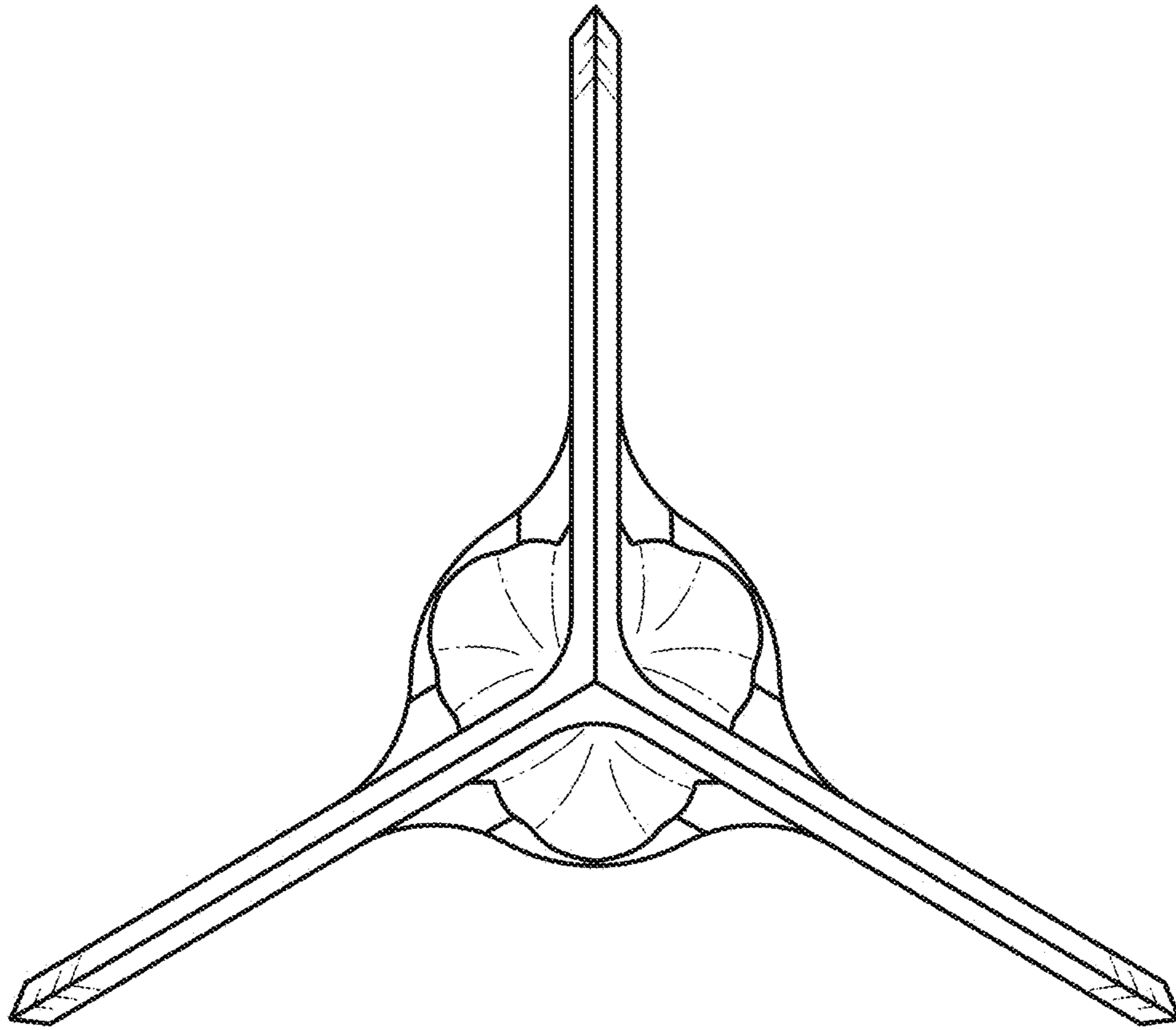


FIG.6

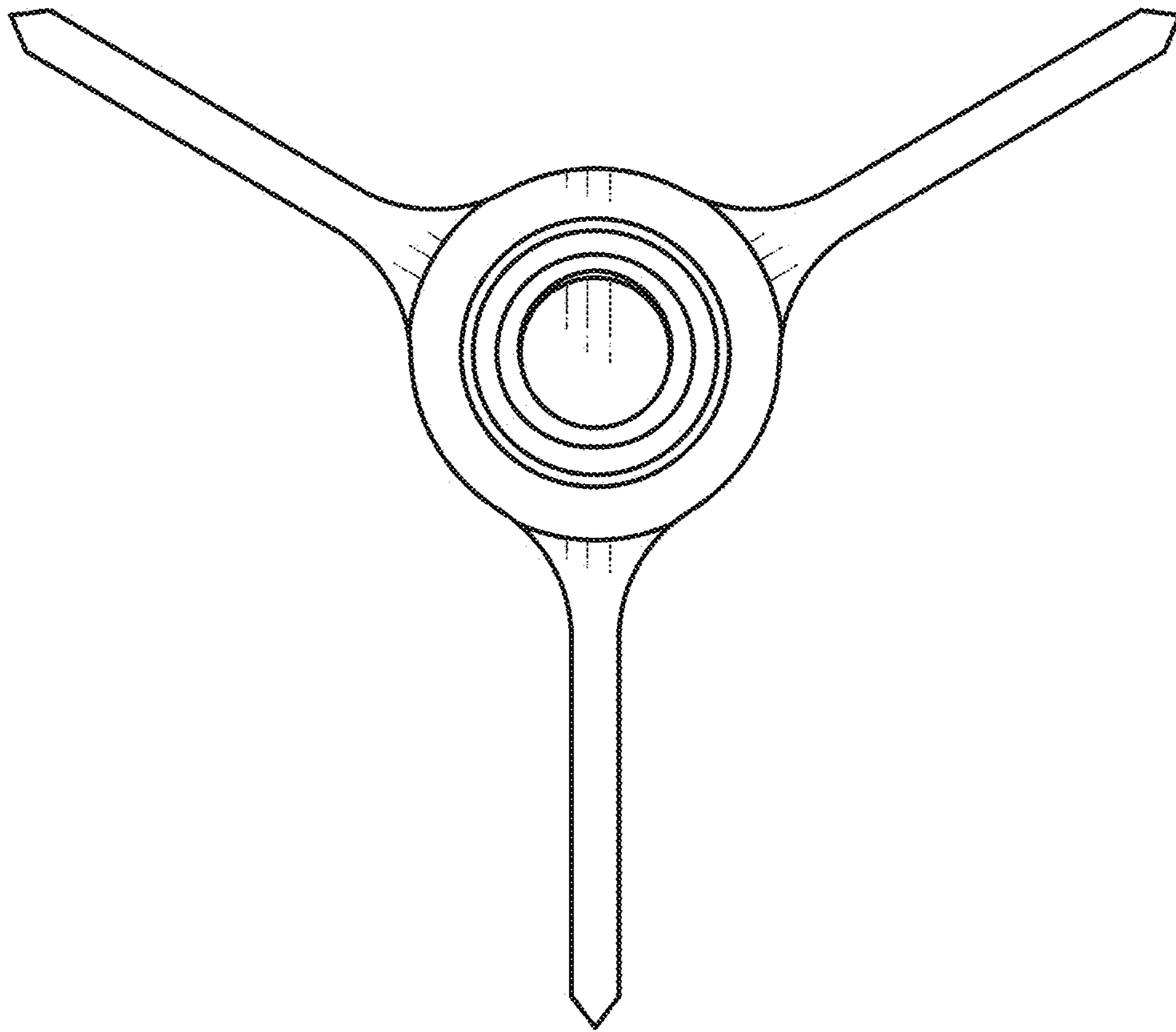


FIG.7

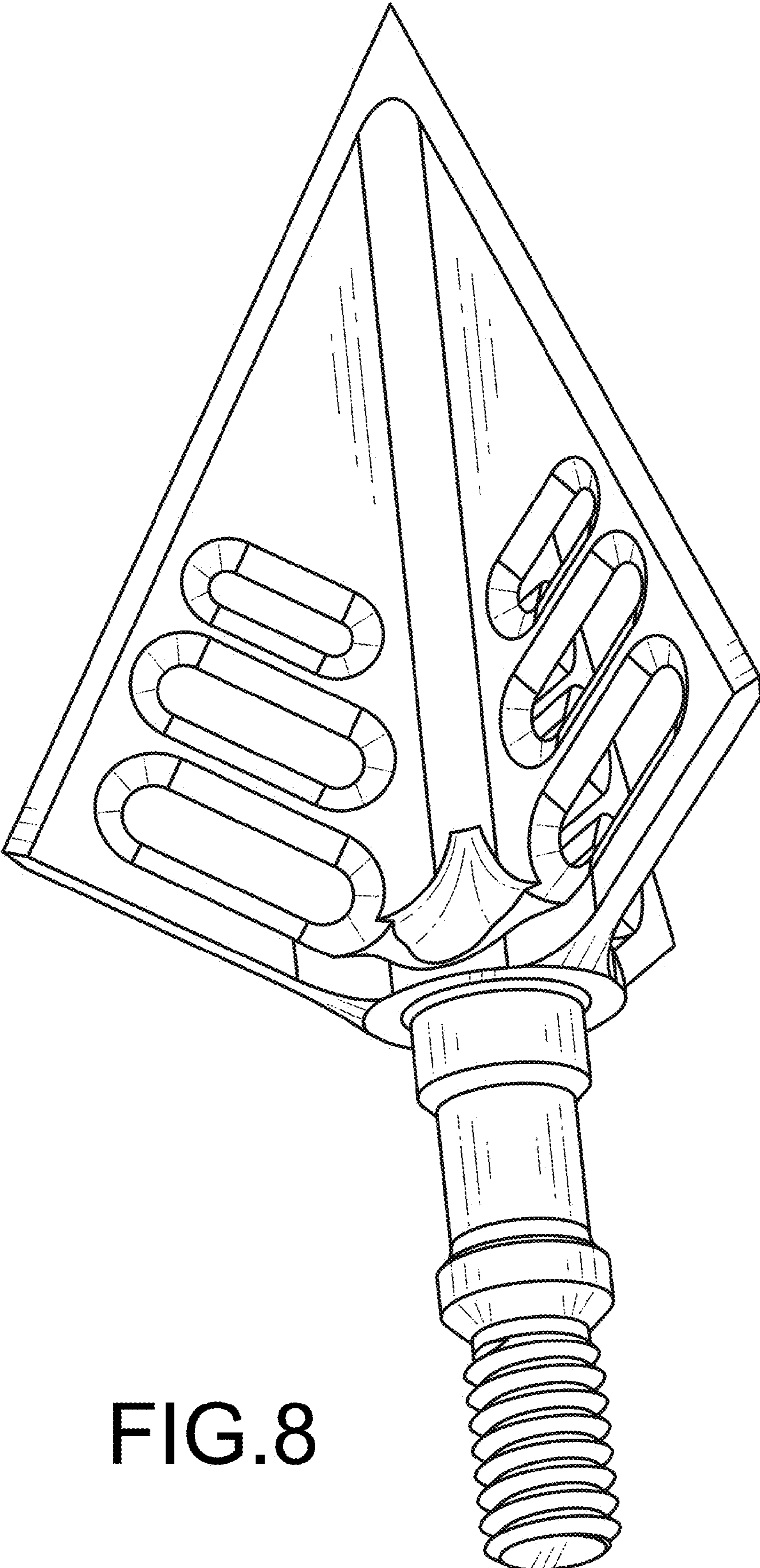


FIG.8