



US00D923737S

(12) **United States Design Patent**
Kedairy

(10) **Patent No.:** **US D923,737 S**

(45) **Date of Patent:** **** Jun. 29, 2021**

(54) **PISTOL**

D505,475 S 5/2005 Salva
D516,661 S 3/2006 McGarry
7,260,912 B2 8/2007 Liu

(Continued)

(71) Applicant: **Skychase Holdings Corporation**,
Alachua, FL (US)

(72) Inventor: **Faisal Kedairy**, Vienna (AT)

(73) Assignee: **Skychase Holdings Corporation**,
Alachua, FL (US)

(**) Term: **15 Years**

(21) Appl. No.: **29/681,153**

(22) Filed: **Feb. 22, 2019**

(51) **LOC (13) Cl.** **22-01**

(52) **U.S. Cl.**
USPC **D22/104; D21/574**

(58) **Field of Classification Search**
USPC D22/100, 101, 103, 104, 108, 109, 110,
D22/111, 115, 116, 199; D21/567, 573,
D21/574

CPC ... F41G 1/30; F41G 1/42; F41G 11/00; F41G
11/001; F41C 7/00; F41C 3/005; F41C
23/04; F41C 23/10

See application file for complete search history.

(56) **References Cited**

U.S. PATENT DOCUMENTS

D157,934 S *	4/1950	Baron	D22/104
D316,587 S *	4/1991	Sanford	D22/104
5,216,191 A *	6/1993	Fox	F41A 3/12 42/70.05
D359,098 S	6/1995	Stevens		
D359,788 S	6/1995	Ruger et al.		
D376,831 S *	12/1996	Resuggan	D22/100
5,603,179 A	2/1997	Adams		
D430,916 S	9/2000	Bubits		
D464,702 S	10/2002	Mauch et al.		
D479,570 S	9/2003	Scheunert		

OTHER PUBLICATIONS

“The Field Pistol” [online]. FK BRNO. [Published on Apr. 19, 2016]. Retrieved from the Internet: <<https://www.youtube.com/watch?v=mymewEQiQhY>>.*

(Continued)

Primary Examiner — Khawaja Anwar

Assistant Examiner — Mojtaba Tehrani

(74) *Attorney, Agent, or Firm* — Whitmyer IP Group LLC

(57) **CLAIM**

The ornamental design for a pistol, as shown and described.

DESCRIPTION

FIG. 1 is a front view of a pistol in accordance with the new design;

FIG. 2 is a rear view thereof;

FIG. 3 is a top view thereof;

FIG. 4 is a bottom view thereof;

FIG. 5 is a left side view thereof;

FIG. 6 is a right side view thereof;

FIG. 7 is a top, front, left side isometric view thereof;

FIG. 8 is a top, rear, right side isometric view thereof;

FIG. 9 is a top, front, right side isometric view thereof;

FIG. 10 is a top, rear, left side isometric view thereof;

FIG. 11 is a bottom, front, right side isometric view thereof;

FIG. 12 is a bottom, rear, left side isometric view thereof;

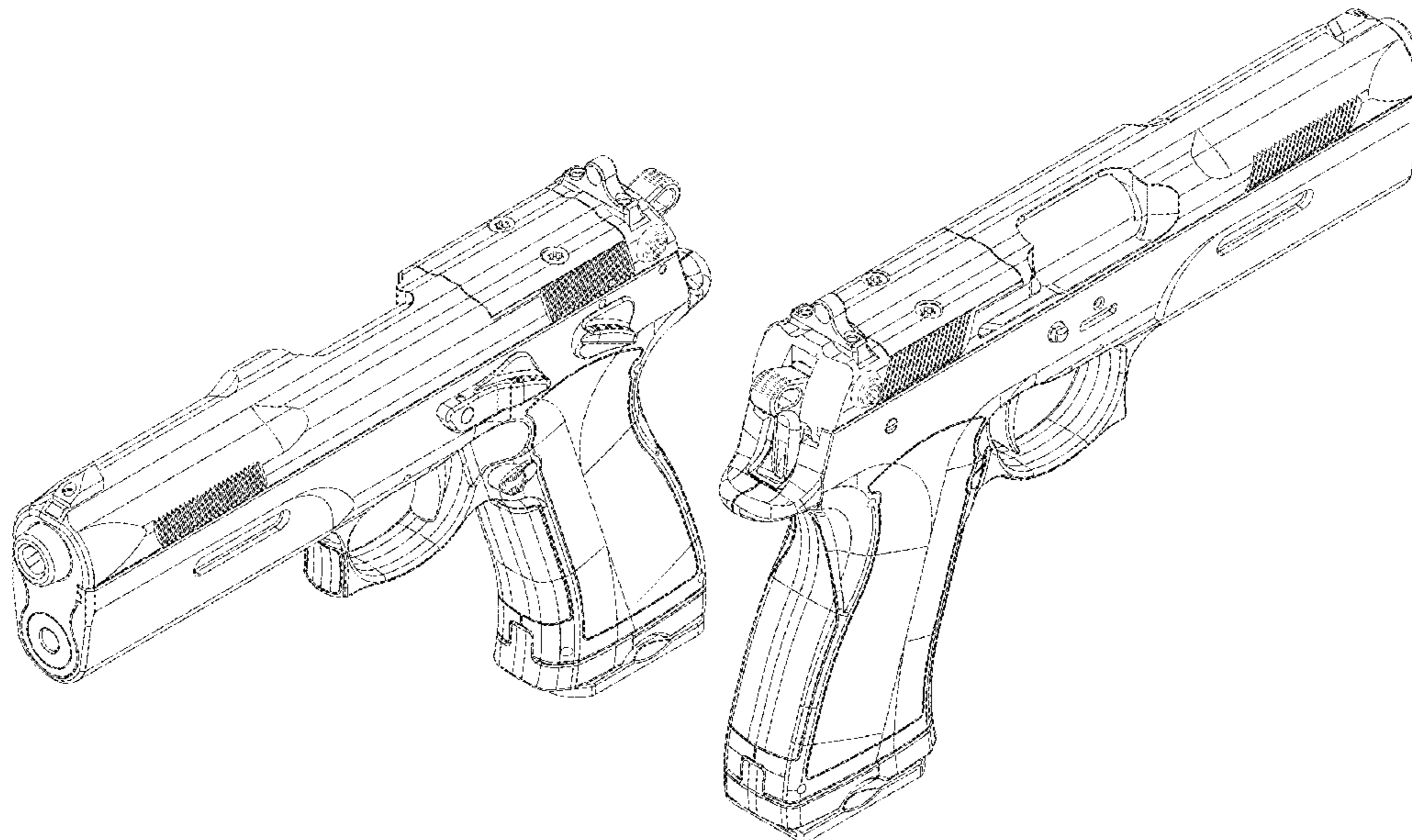
FIG. 13 is a bottom, rear, right side isometric view thereof;

and,

FIG. 14 is a bottom, front, left side isometric view thereof.

The evenly broken lines in the drawings disclose unclaimed portions of the pistol which form no part of the claimed design.

1 Claim, 6 Drawing Sheets



(56)

References Cited

U.S. PATENT DOCUMENTS

7,290,539 B2 11/2007 Maeda et al.
 7,401,432 B2 7/2008 Perry
 D579,072 S 10/2008 McGarry
 D584,374 S 1/2009 McGarry
 D593,629 S 6/2009 Bantle et al.
 D598,065 S 8/2009 Vukovic et al.
 7,810,268 B1 10/2010 McGarry
 D627,028 S 11/2010 Coulombier
 D639,352 S 6/2011 Chan
 D654,978 S 2/2012 Karanian et al.
 D671,610 S 11/2012 Nebeker et al.
 D716,397 S 10/2014 Rothmann
 8,887,427 B2* 11/2014 Zukowski F41A 15/14
 42/46
 D721,154 S 1/2015 Olmi
 9,097,474 B1 8/2015 Zins et al.
 D742,985 S* 11/2015 Hudson, III D22/104
 9,303,955 B2 4/2016 Jeung et al.
 9,310,161 B2 4/2016 Ermosa
 D755,324 S 5/2016 Martelli et al.
 D772,364 S* 11/2016 Kedairy D22/104
 D794,739 S* 8/2017 Kedairy D22/104
 9,777,983 B2 10/2017 Porat
 10,126,080 B2 11/2018 Martin
 10,203,173 B2 2/2019 Ellis et al.
 D842,393 S* 3/2019 Xiao D21/575
 2005/0257413 A1* 11/2005 Zimmermann F41A 11/02
 42/75.1
 2011/0120437 A1 5/2011 Tippmann, Jr. et al.

2011/0173861 A1 7/2011 Roth
 2012/0085010 A1* 4/2012 Cook F41A 19/11
 42/7
 2013/0125441 A1* 5/2013 Westwood F41A 17/02
 42/70.05
 2016/0054083 A1* 2/2016 Kiyani F41A 17/06
 42/70.11
 2016/0245601 A1* 8/2016 Kedairy F41C 27/22
 2017/0254613 A1* 9/2017 Kedairy F41C 23/04
 2017/0254618 A1* 9/2017 Kedairy F41C 3/00

OTHER PUBLICATIONS

“FK BRNO 7.5 Field Pistol Full Review: 2000 FPS From A Handgun!” [online]. Honest Outlaw. [Published on Dec. 1, 2017]. Retrieved from the Internet: <<https://www.youtube.com/watch?v=OOB35iUe0wo>>.*
 “FK Brno PSD: the powerful multicaliber pistol” [online]. GUNSweek. [Published on Mar. 9, 2019]. Retrieved from the Internet: <<https://www.gunsweek.com/en/pistols/iwa/fk-brno-psd-powerful-multicaliber-pistol>>.*
 “FK BRNO’s New Multi-Caliber Version of 7.5FK Field Pistol, The PSD—The Firearm Blog” [online]. firearmlicense.net. [Published on Mar. 13, 2019]. Retrieved from the Internet: <<https://www.firearmlicense.net/fk-brnos-new-multi-caliber-version-of-7-5fk-field-pistol-the-psd-the-firearm-blog.php>>.*
 U.S. Office Action U.S. Appl. No. 29/625,469, dated Mar. 19, 2019 9 Pages.

* cited by examiner

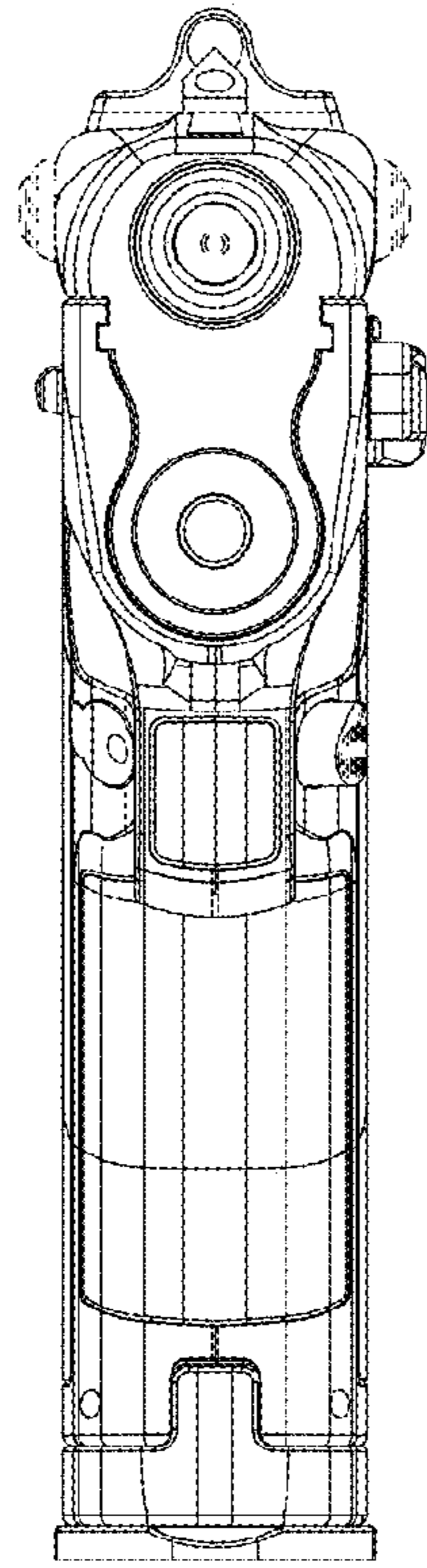


Fig. 1

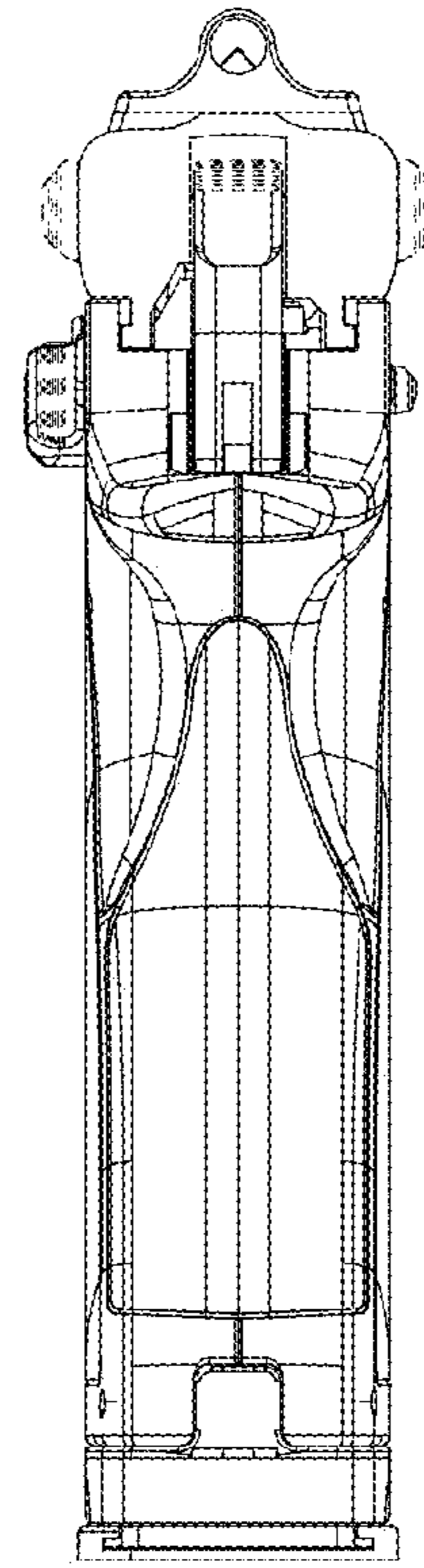


Fig. 2

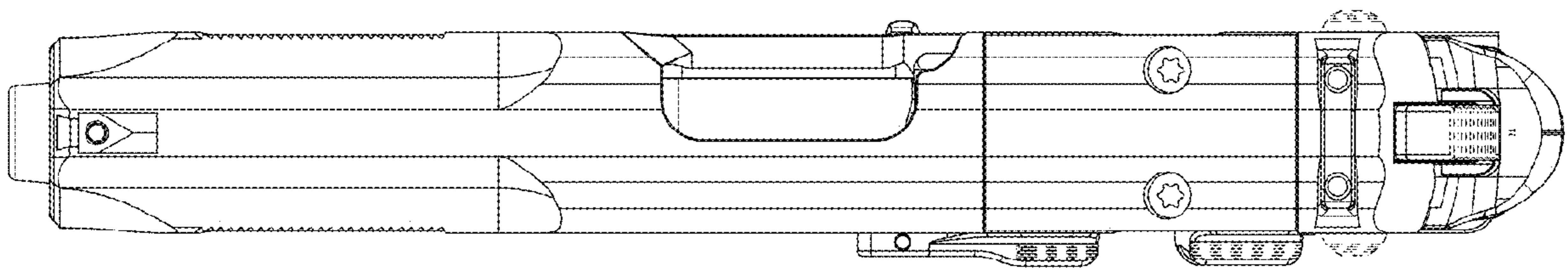


Fig. 3

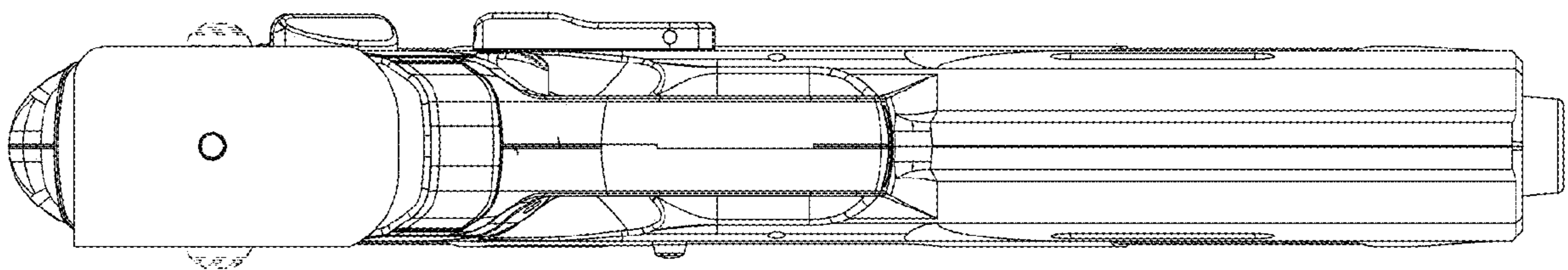


Fig. 4

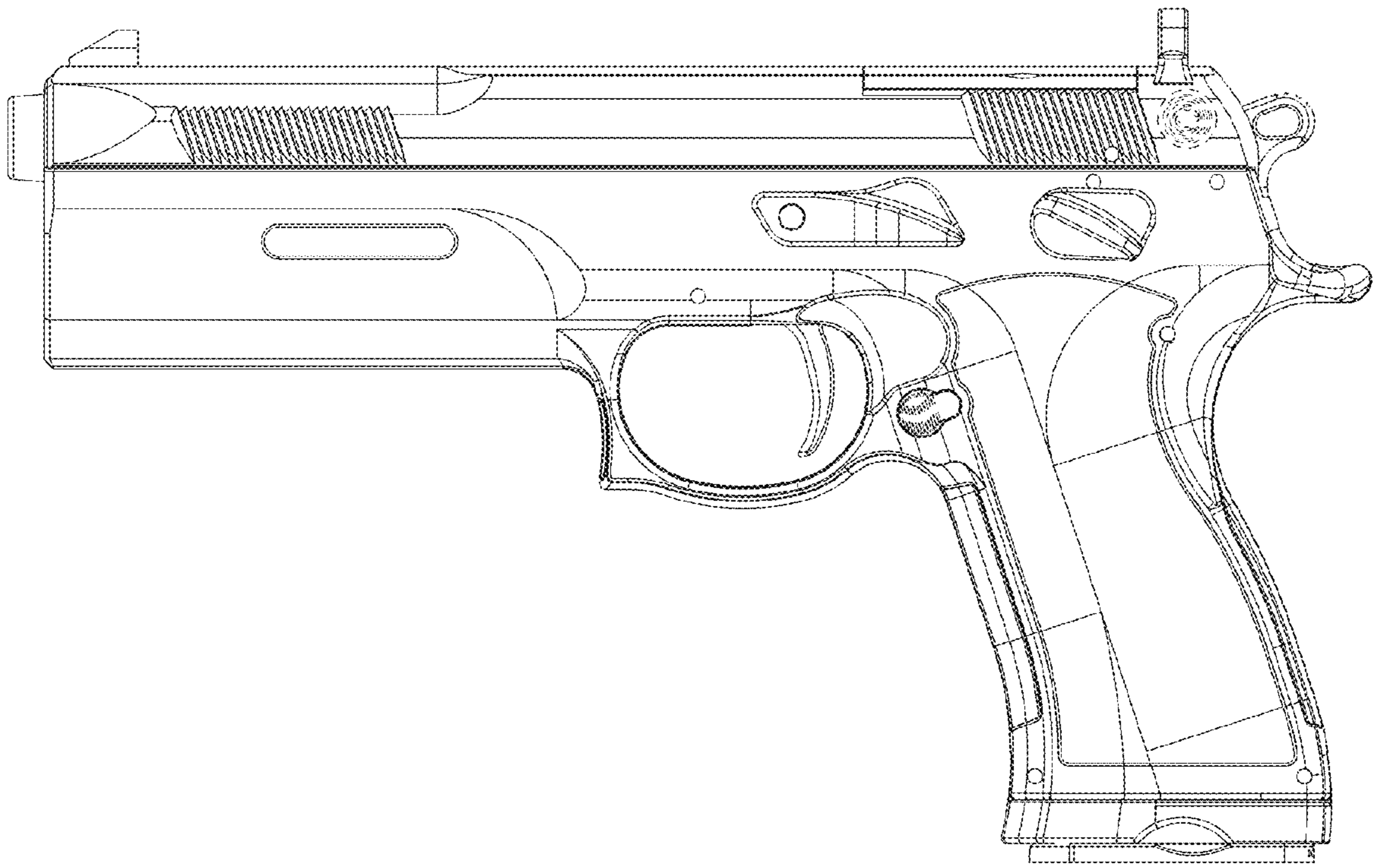


Fig. 5

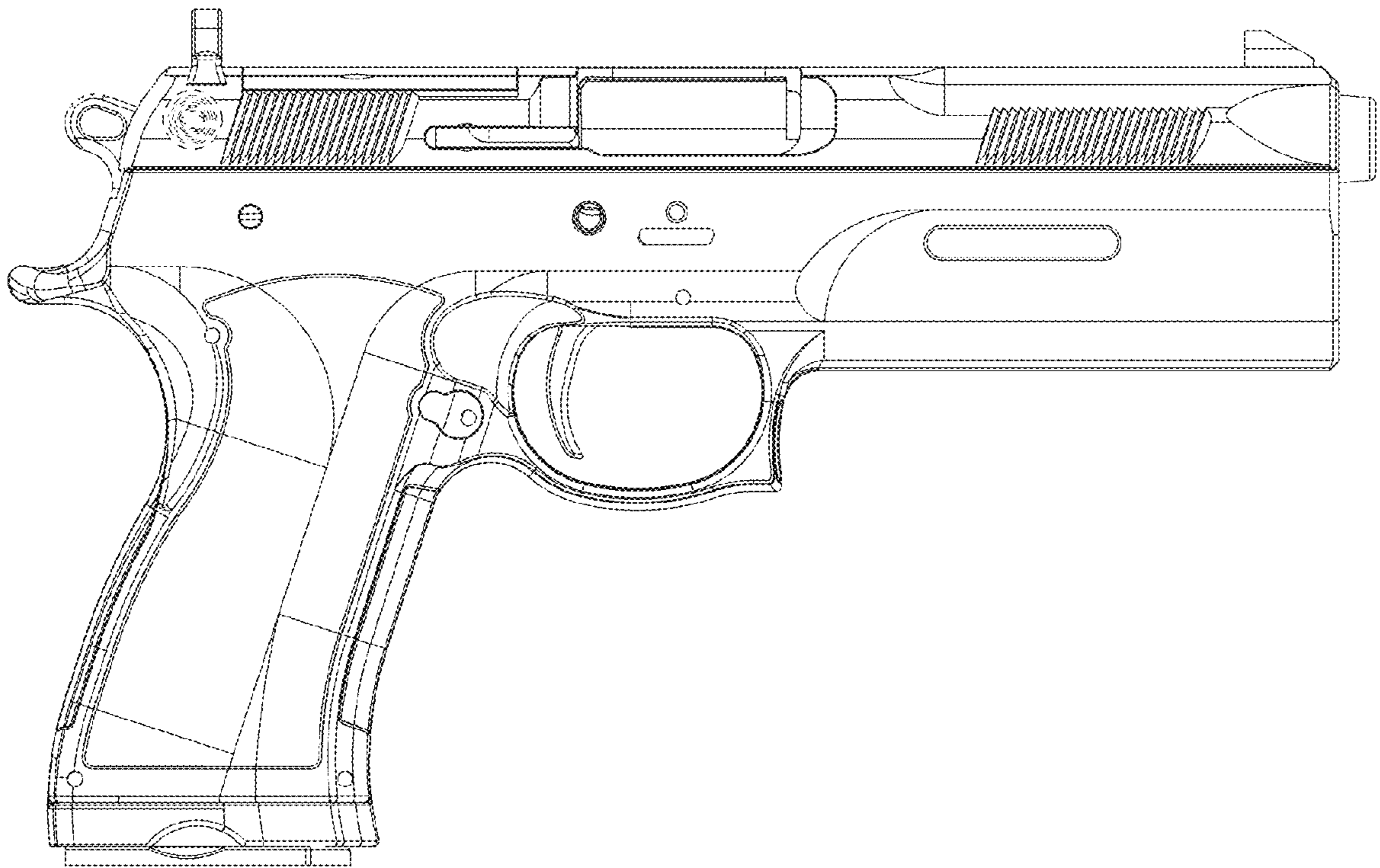


Fig. 6

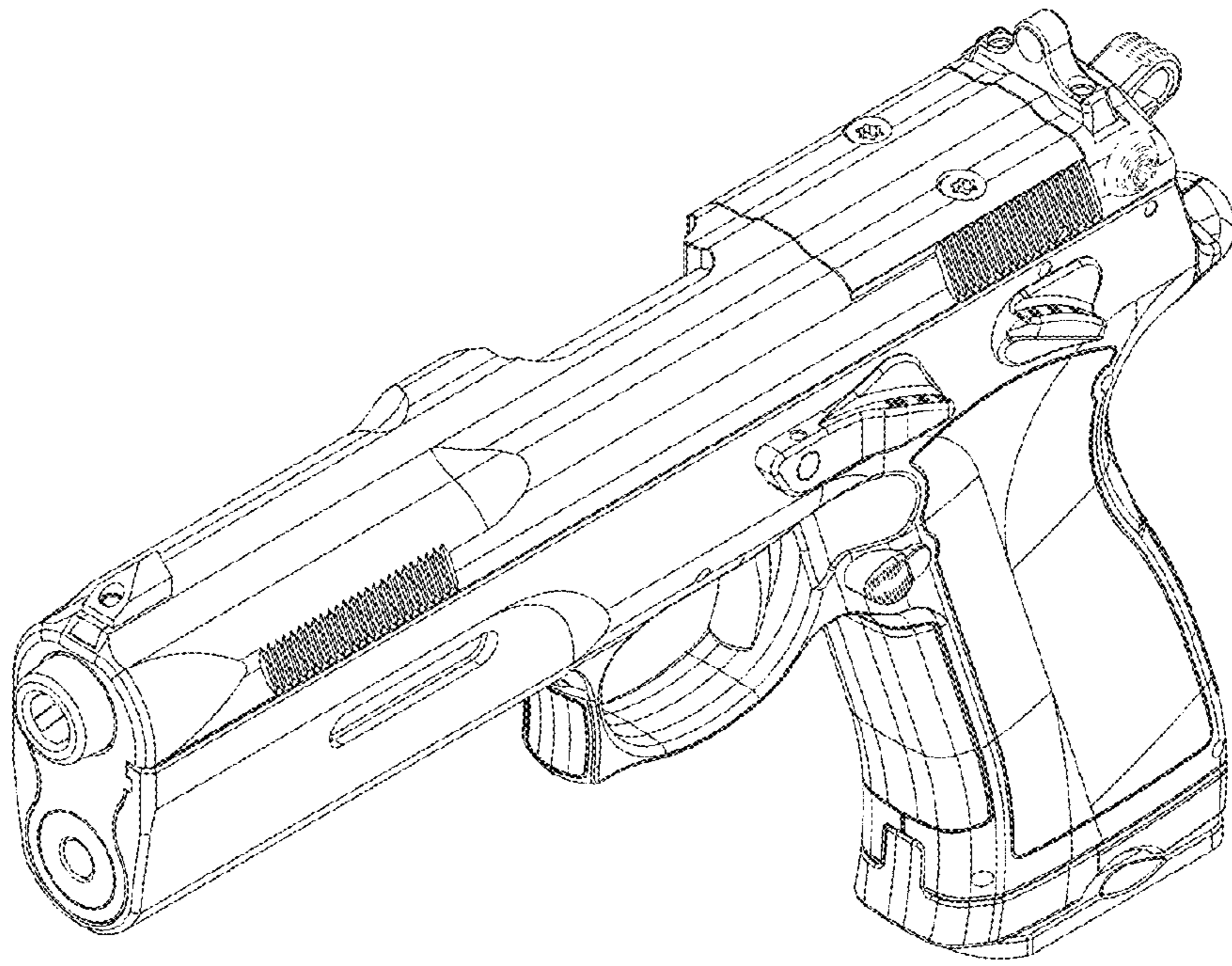


Fig. 7

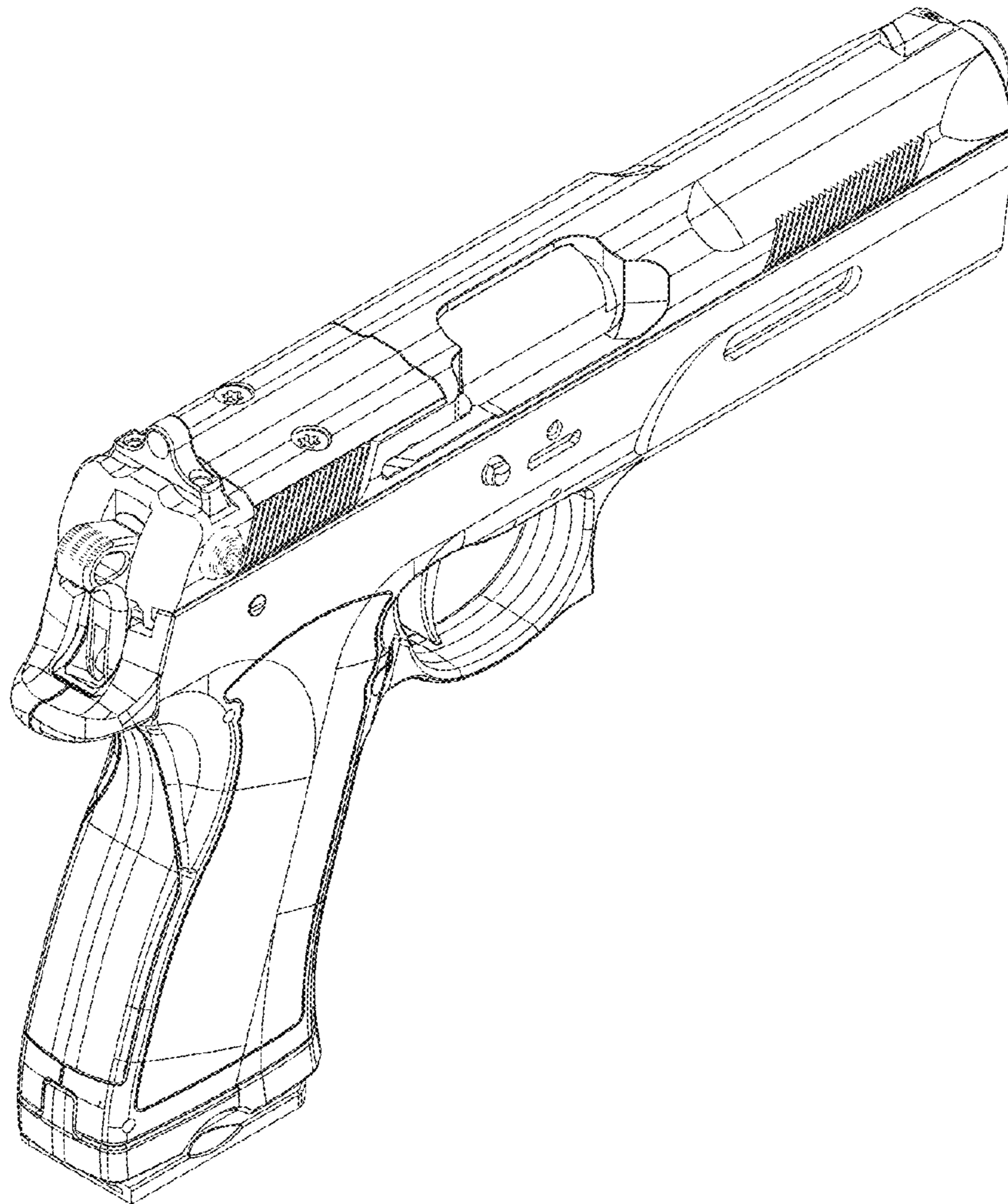


Fig. 8

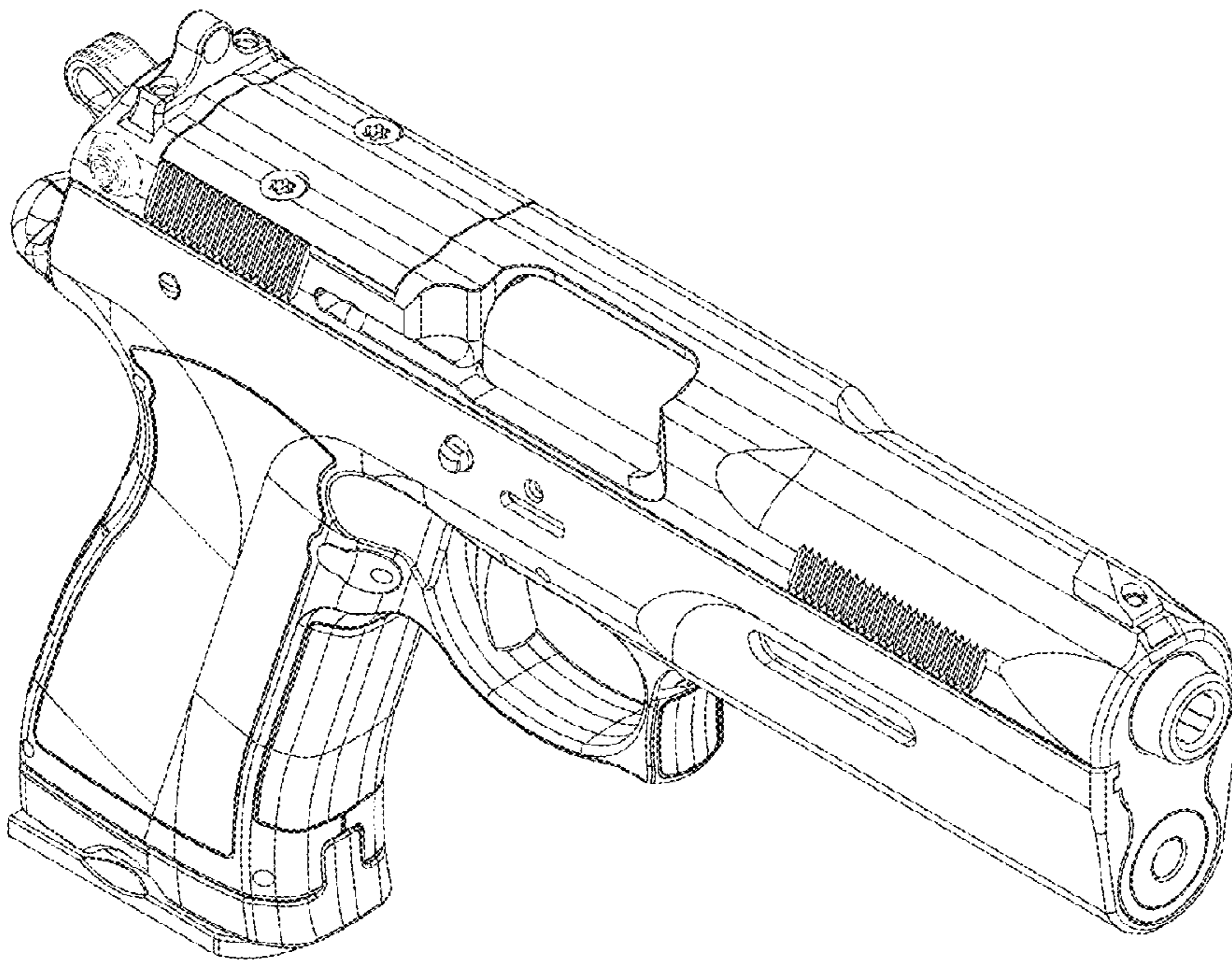


Fig. 9

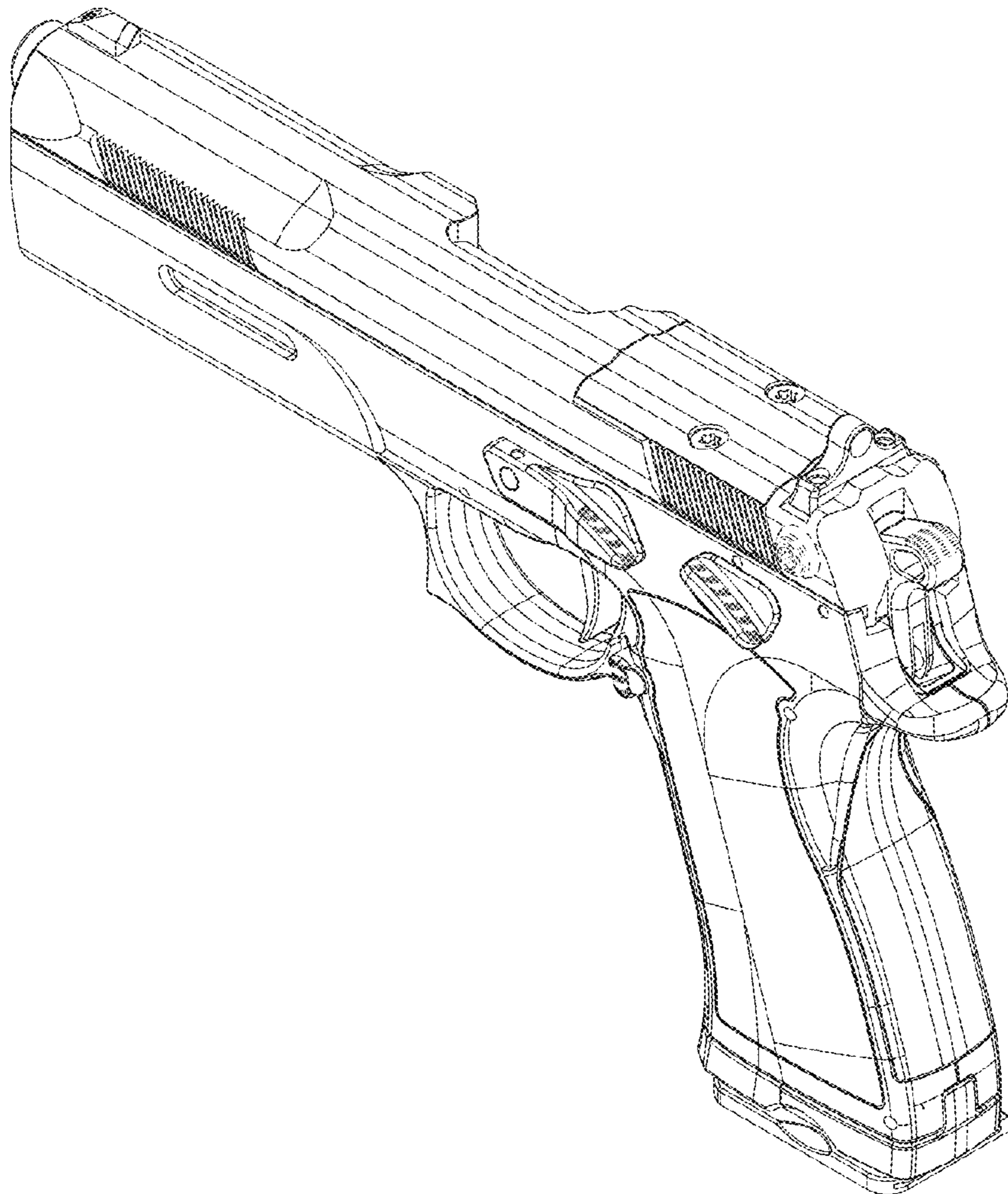


Fig. 10

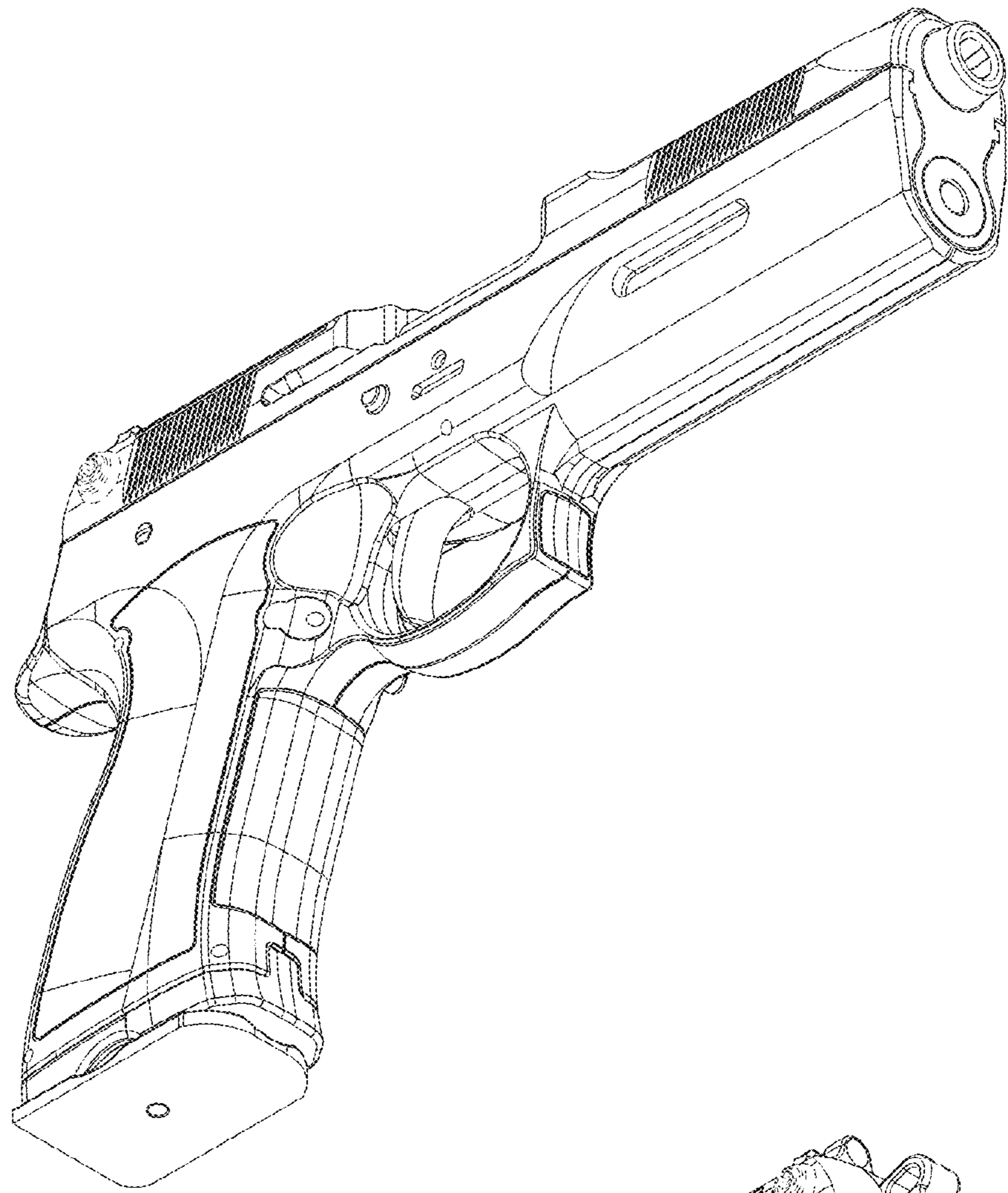


Fig. 11

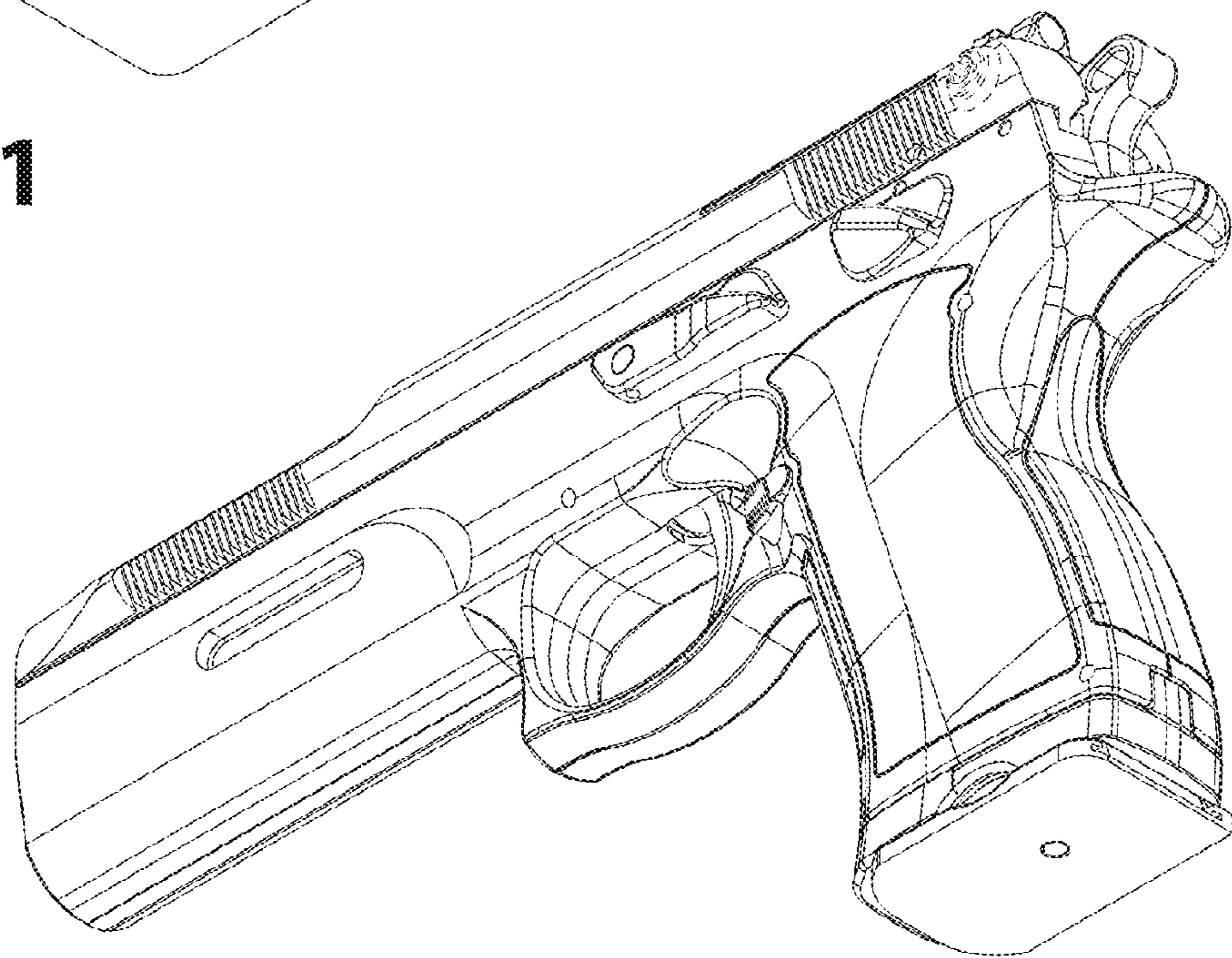


Fig. 12

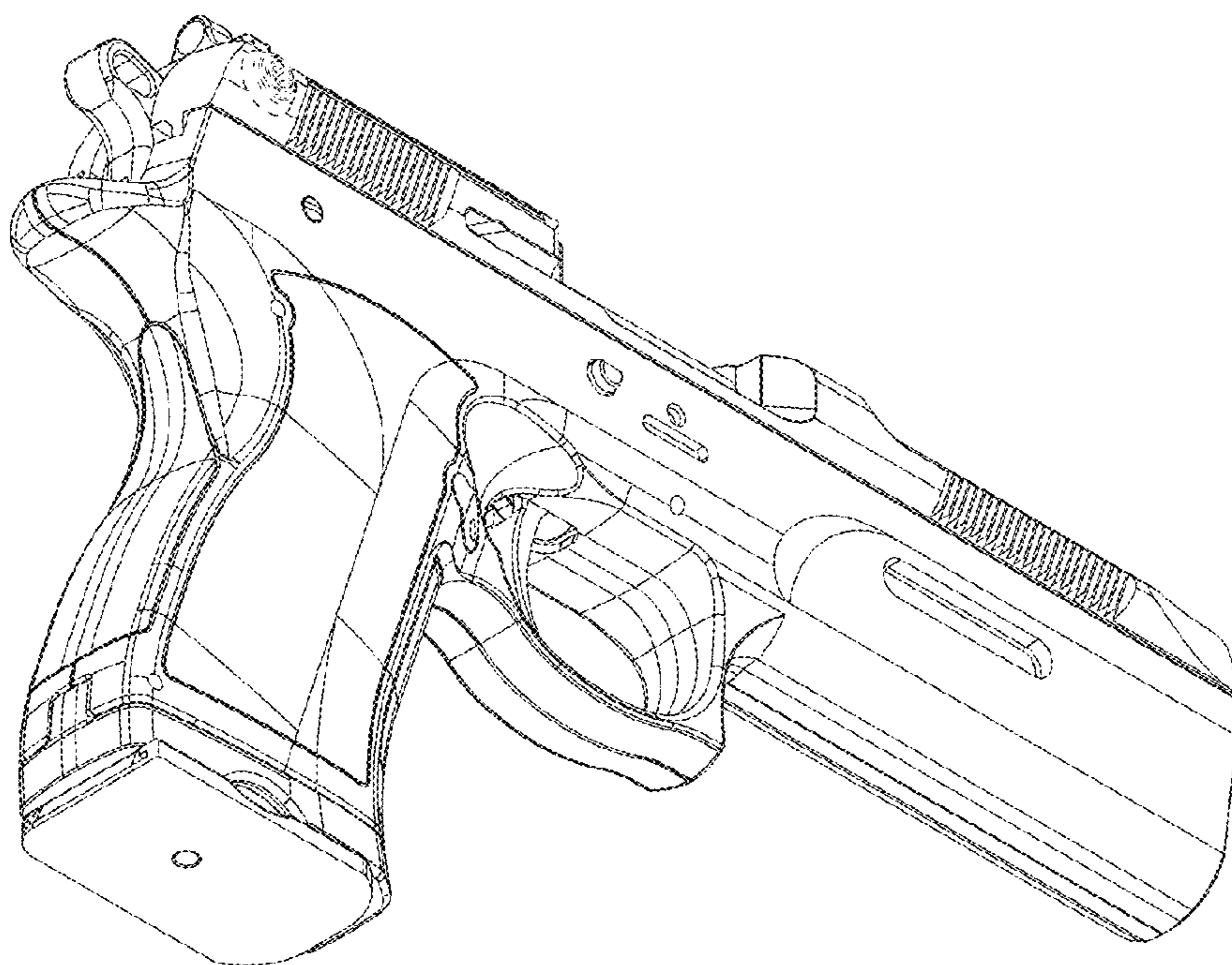


Fig. 13

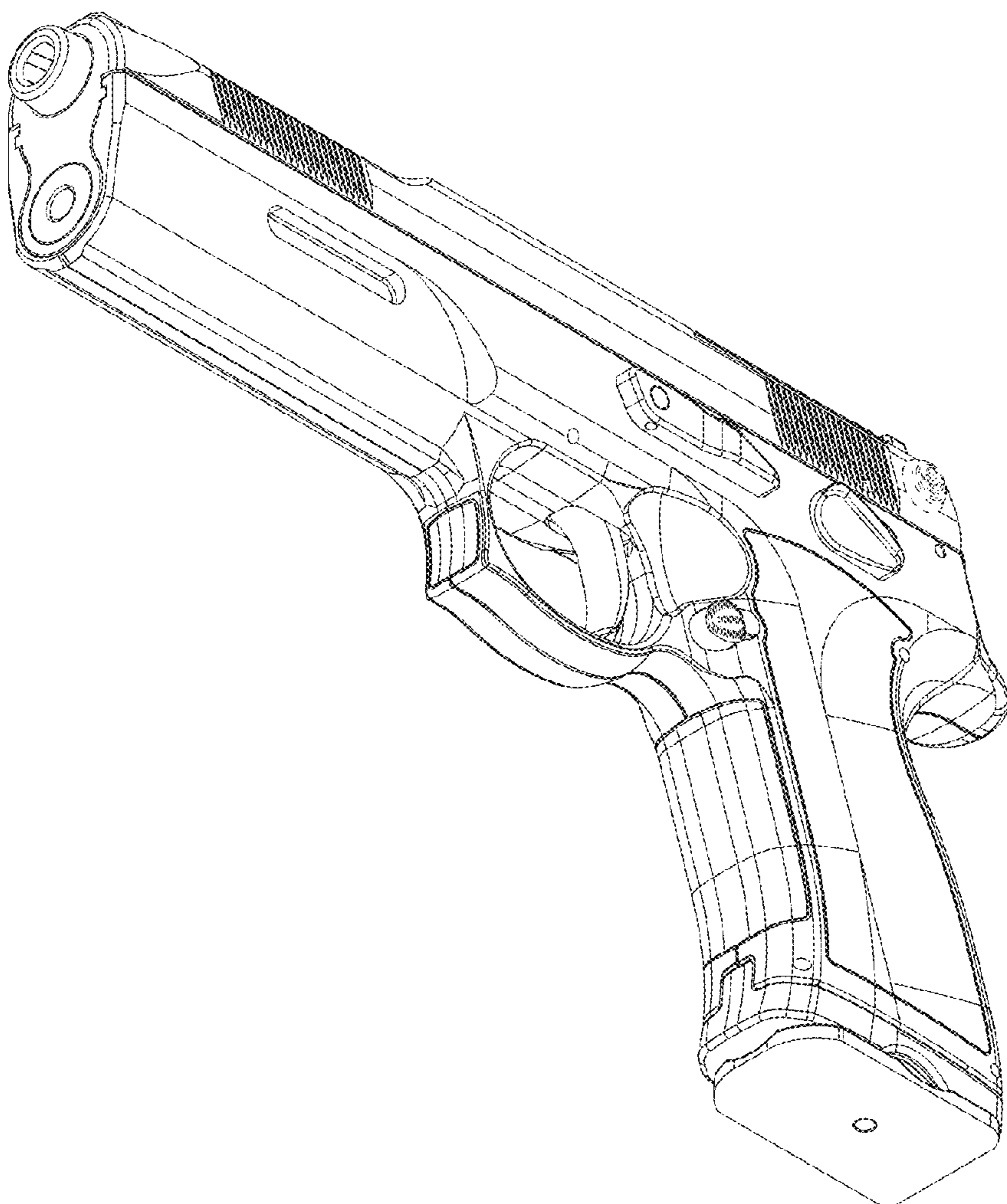


Fig. 14