

US00D923736S

(12) **United States Design Patent**
Zamperla

(10) **Patent No.:** **US D923,736 S**

(45) **Date of Patent:** **** Jun. 29, 2021**

- (54) **AMUSEMENT RIDE**
- (71) Applicant: **ANTONIO ZAMPERLA S.p.A.**,
Altavilla Vicentina (IT)
- (72) Inventor: **Alberto Zamperla**, Altavilla Vicentina
(IT)
- (73) Assignee: **ANTONIO ZAMPERLA S.P.A.**,
Altavilla Vicentina Vi (IT)
- (**) Term: **15 Years**
- (21) Appl. No.: **29/690,638**
- (22) Filed: **May 9, 2019**
- (30) **Foreign Application Priority Data**
Nov. 12, 2018 (EM) 005822491-0001
- (51) **LOC (13) Cl.** **21-03**
- (52) **U.S. Cl.**
USPC **D21/828**
- (58) **Field of Classification Search**
USPC D21/828-833, 811, 814
CPC A63G 21/00-22; A63G 27/00; A63G 1/00;
A63G 1/24-38; A63G 1/08; A63G 1/12;
A63G 3/00; A63G 9/00-08; A63G 27/02;
A63G 27/04; A63G 27/06; A63G 27/08;
A47C 31/11
See application file for complete search history.

900,820	A *	10/1908	Becker	A63G 27/02 472/46
946,639	A *	1/1910	Lewis	A63G 27/02 472/30
D69,335	S *	1/1926	Tunley	D21/530
1,867,996	A *	7/1932	Baer	A63G 27/00 472/3
2,294,166	A *	8/1942	Eyerly	A63G 27/02 472/1
2,384,237	A *	9/1945	Clark	A63G 27/02 472/30
2,397,857	A *	4/1946	Hall	A63G 27/04 472/30
2,423,283	A *	7/1947	Austin	A63G 27/02 472/16
2,432,709	A *	12/1947	Austin	A63G 27/02 472/44
D158,746	S *	5/1950	Hickman	D20/29
D159,220	S *	7/1950	Nemiroff	D21/530
D174,295	S *	3/1955	Sneed	D21/830
2,728,574	A *	12/1955	Lyles	A63G 1/00 472/40
2,828,128	A *	3/1958	Castille	A63G 27/02 472/30

(Continued)

Primary Examiner — Mitchell I. Siegel
(74) *Attorney, Agent, or Firm* — Lucas & Mercanti, LLP

(57) **CLAIM**

The ornamental design for the amusement ride, as shown and described.

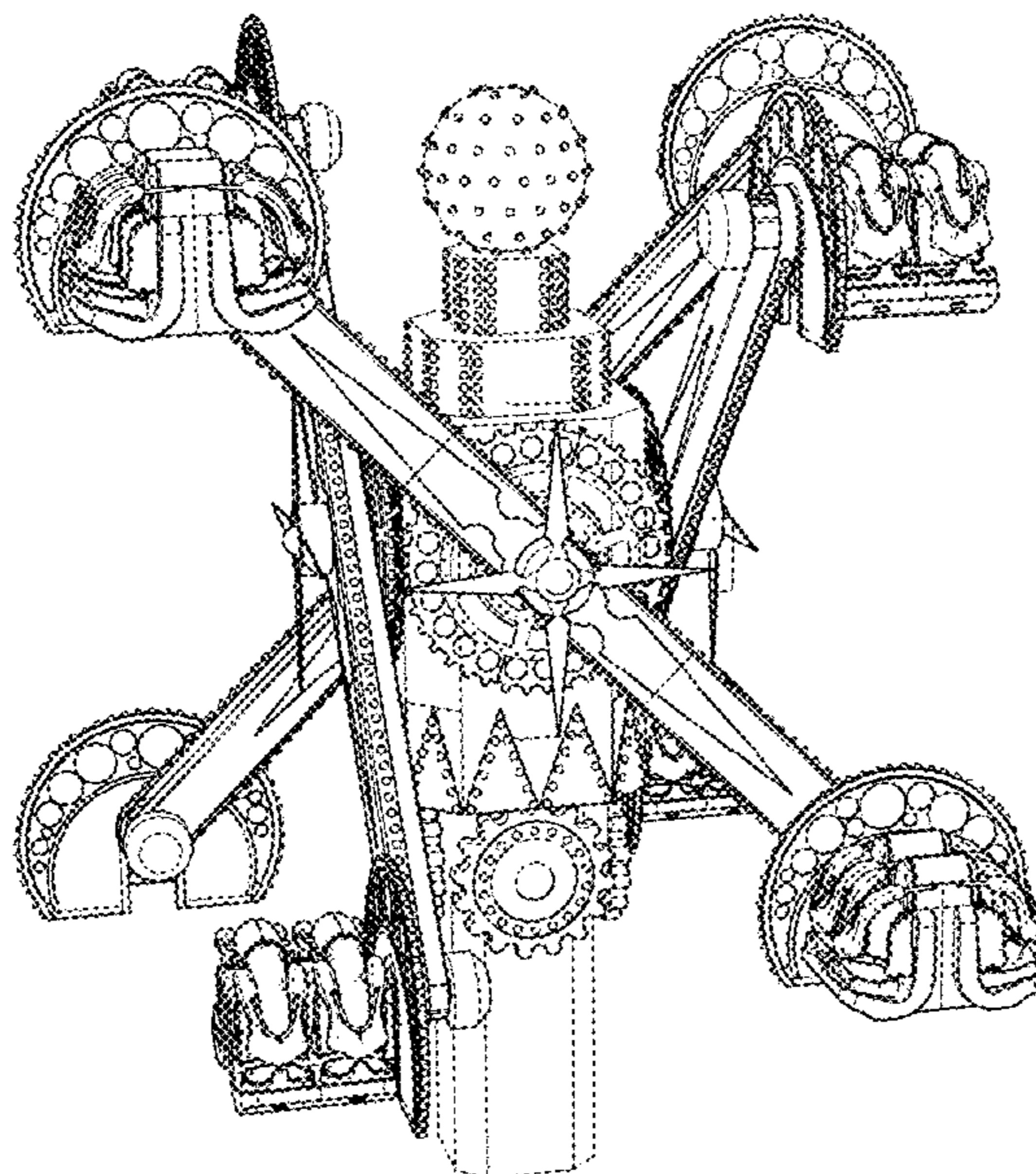
DESCRIPTION

FIG. 1 is a front perspective view of the amusement ride according to the design, all other sides having an identical view;
FIG. 2 is a top front perspective view thereof;
FIG. 3 is a top plan view thereof; and,
FIG. 4 is an elevational view thereof; the undisclosed sides are identical.

1 Claim, 4 Drawing Sheets

(56) **References Cited**
U.S. PATENT DOCUMENTS

853,155	A *	5/1907	Boardman	A63G 27/02 472/46
862,365	A *	8/1907	Winnett	A63G 27/02 472/30
862,366	A *	8/1907	Winnett	A63G 27/02 472/30



(56)

References Cited

U.S. PATENT DOCUMENTS

2,864,614 A * 12/1958 Castille A63G 27/00
472/30
2,934,341 A * 4/1960 Shepherd A63G 27/02
472/44
D199,744 S * 12/1964 McDonald D21/530
D205,366 S * 7/1966 Lakin D21/530
3,294,398 A * 12/1966 Buechler A63G 27/02
472/30
3,471,143 A * 10/1969 Lakin A63H 13/20
472/7
D225,880 S * 1/1973 Spiegel D21/530
D285,592 S * 9/1986 Kushner D21/493
4,815,728 A * 3/1989 O'Keefe A63G 27/00
472/3
D303,692 S * 9/1989 Jones D21/530
4,878,869 A * 11/1989 Yamane A63H 13/20
446/130
D331,430 S * 12/1992 Nolan D21/412

D332,186 S * 1/1993 Bellaflores D21/829
D379,777 S * 6/1997 Segan D11/121
6,037,679 A * 3/2000 Pirillo H05B 47/185
307/125
D572,317 S * 7/2008 Lam D21/530
D587,777 S * 3/2009 Chu D21/829
D696,372 S * 12/2013 Martin D21/830
D731,019 S * 6/2015 Fabbri D21/830
D731,020 S * 6/2015 Fabbri D21/830
D731,021 S * 6/2015 Fabbri D21/830
D733,826 S * 7/2015 Fabbri D21/830
D769,999 S * 10/2016 Serventi D21/830
D770,000 S * 10/2016 Serventi D21/830
D788,248 S * 5/2017 Fabbri D21/830
D800,862 S * 10/2017 Easler D21/829
D867,510 S * 11/2019 Boifava D21/830
D886,224 S * 6/2020 Martin D21/830
D886,932 S * 6/2020 Srihari D21/830
D902,326 S * 11/2020 Kamiyama D21/530
2006/0035715 A1 * 2/2006 Threlkel A63G 27/04
472/47

* cited by examiner

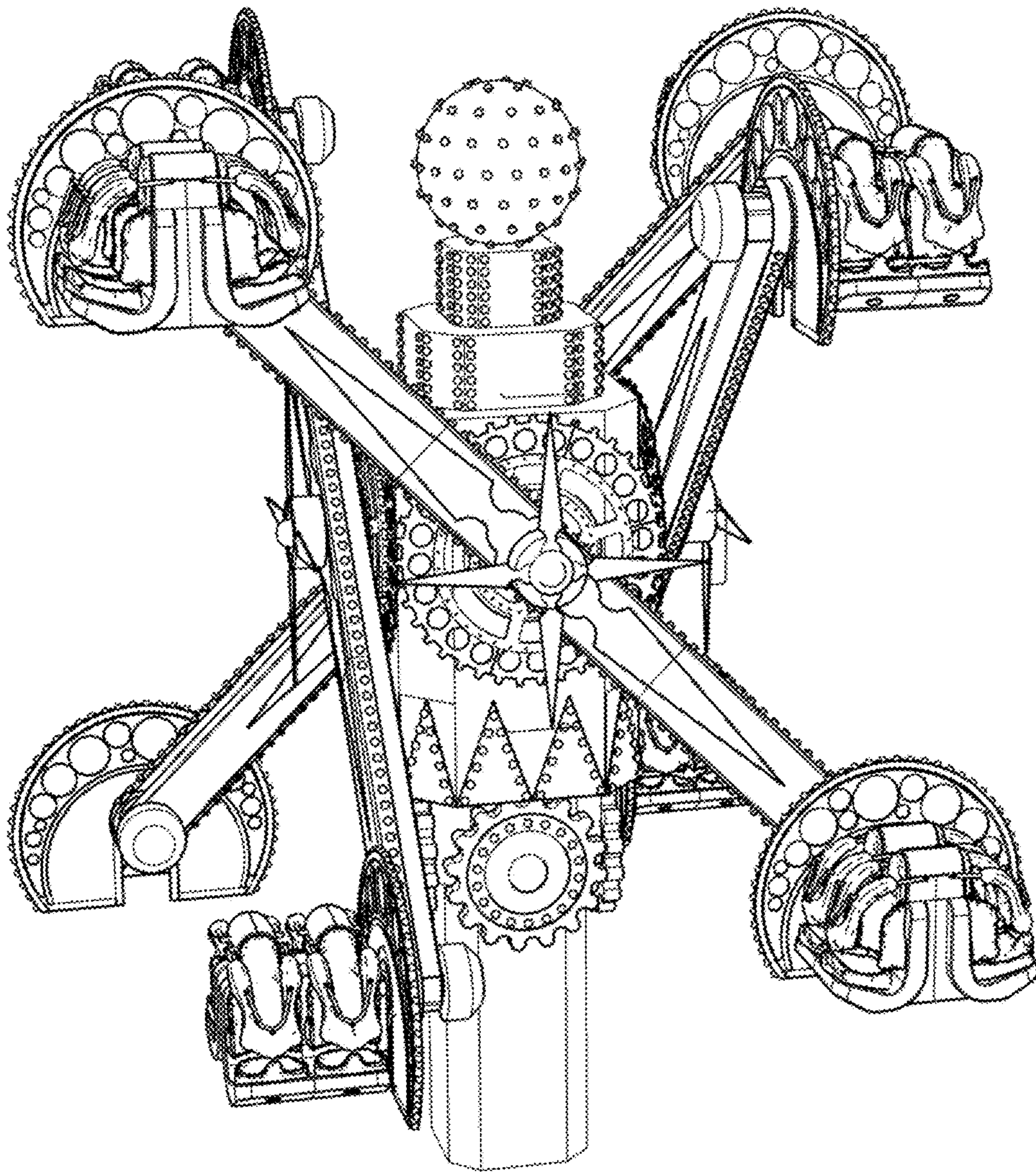


FIG. 1

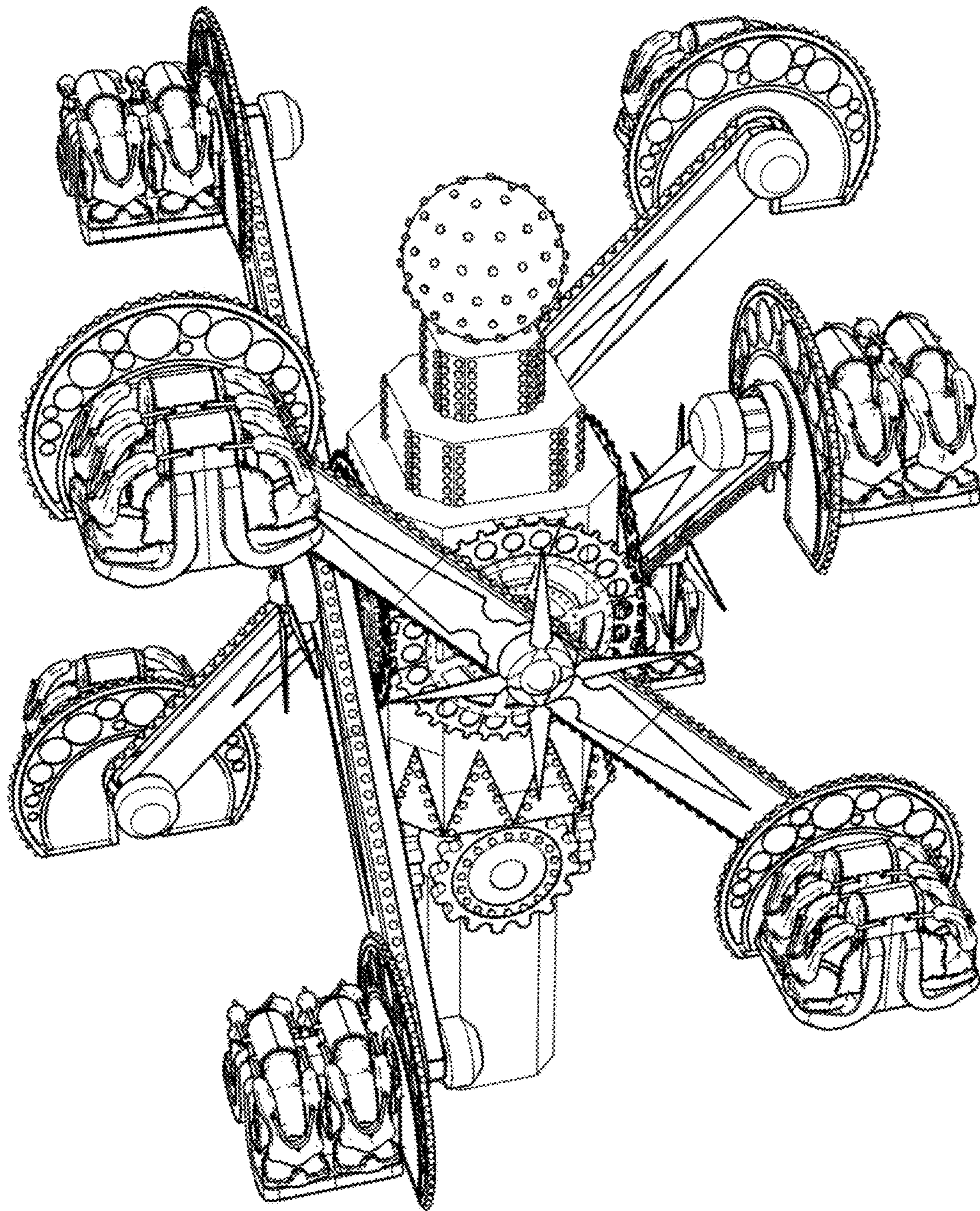


FIG. 2

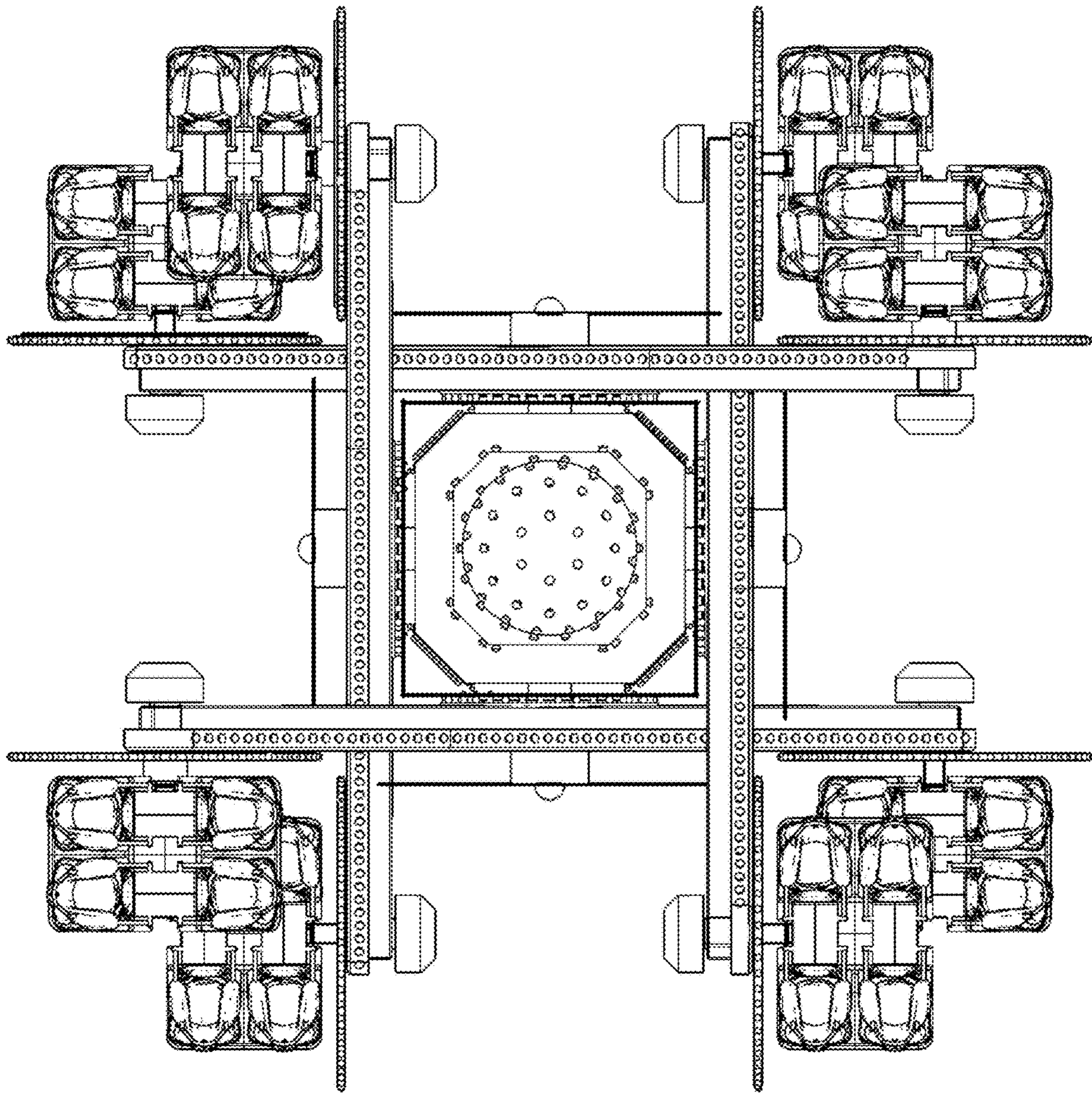


FIG. 3

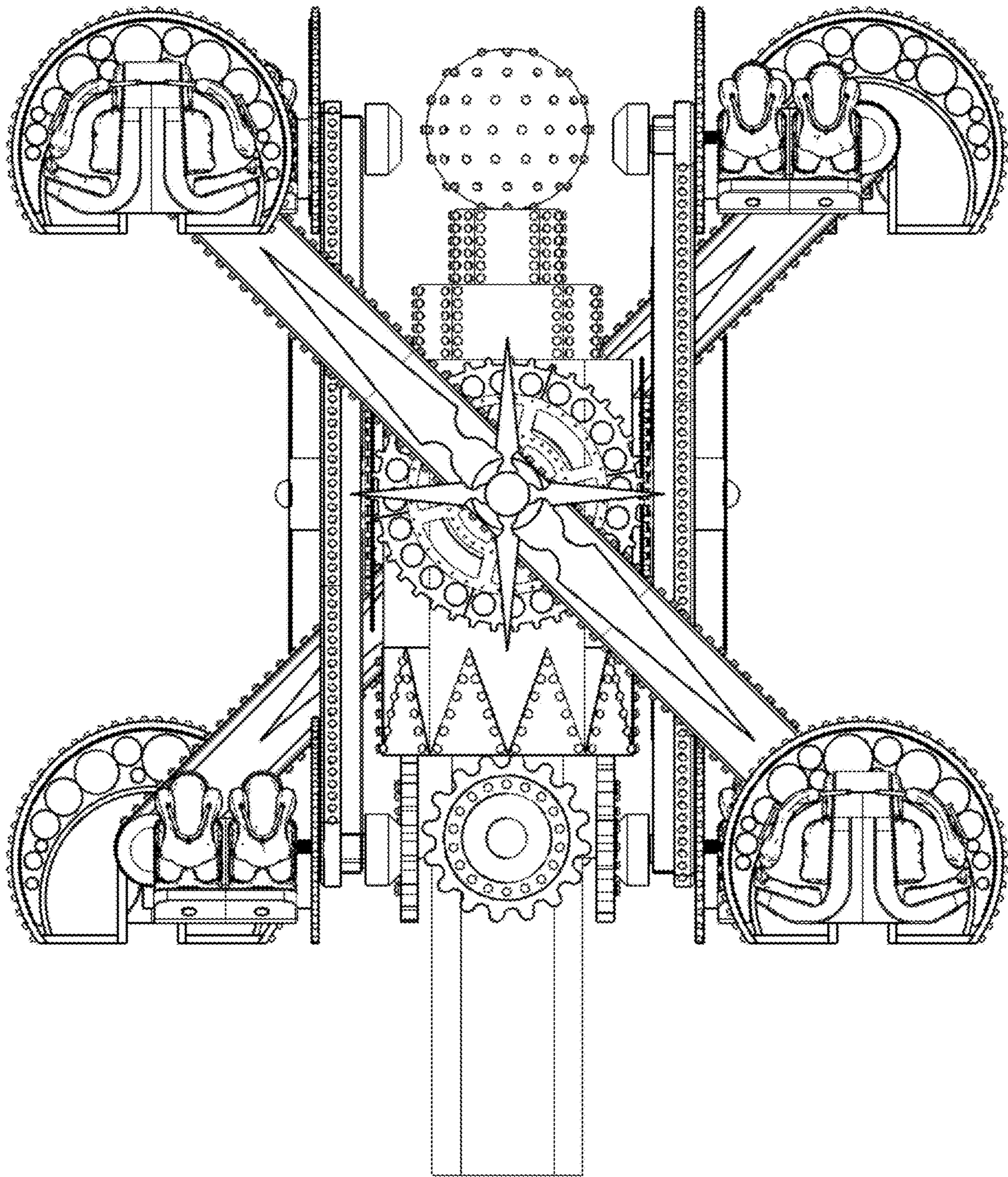


FIG. 4