



US00D923733S

(12) **United States Design Patent**
Milgram

(10) **Patent No.:** **US D923,733 S**

(45) **Date of Patent:** **** Jun. 29, 2021**

(54) **ERGONOMIC GYMNASTIC GLOVE**

(71) Applicant: **Mathieu Milgram**, Bagnols-en-Forêt (FR)

(72) Inventor: **Mathieu Milgram**, Bagnols-en-Forêt (FR)

(**) Term: **15 Years**

(21) Appl. No.: **35/509,430**

(22) Filed: **Apr. 23, 2020**

(80) **Hague Agreement Data**

Int. Filing Date: **Apr. 23, 2020**

Int. Reg. No.: **DM/208045**

Int. Reg. Date: **Apr. 23, 2020**

Int. Reg. Pub. Date: **May 22, 2020**

(51) **LOC (13) Cl.** **21-02**

(52) **U.S. Cl.**
USPC **D21/797; D29/117.2**

(58) **Field of Classification Search**
USPC D21/684, 694, 797; D29/117.1, 117.2
CPC A41D 19/01547; A63B 71/14; A63B 21/4019; A63B 21/4021

See application file for complete search history.

(56) **References Cited**

U.S. PATENT DOCUMENTS

- 5,298,001 A * 3/1994 Goodson A63B 21/4021
2/161.1
- 5,774,895 A * 7/1998 Baldwin A41D 19/01547
2/161.1
- 6,666,795 B2 * 12/2003 Mah A63B 21/4019
2/161.1
- D741,974 S * 10/2015 Lung D21/797
- D770,690 S * 11/2016 Robbins D29/117.1
- D824,112 S * 7/2018 Picon D29/117.2
- D863,464 S * 10/2019 Rhodes D21/662
- D868,387 S * 11/2019 Picon D29/117.2

- D869,094 S * 12/2019 Picon D29/117.2
- D869,095 S * 12/2019 Picon D29/117.2
- D873,936 S * 1/2020 Pellegrino D21/694
- D881,299 S * 4/2020 Pellegrino D21/684
- 10,702,761 B2 * 7/2020 Pellegrino A63B 71/14

* cited by examiner

Primary Examiner — George D. Kirschbaum

(57) **CLAIM**

The ornamental design for an ergonomic gymnastic glove, as shown and described.

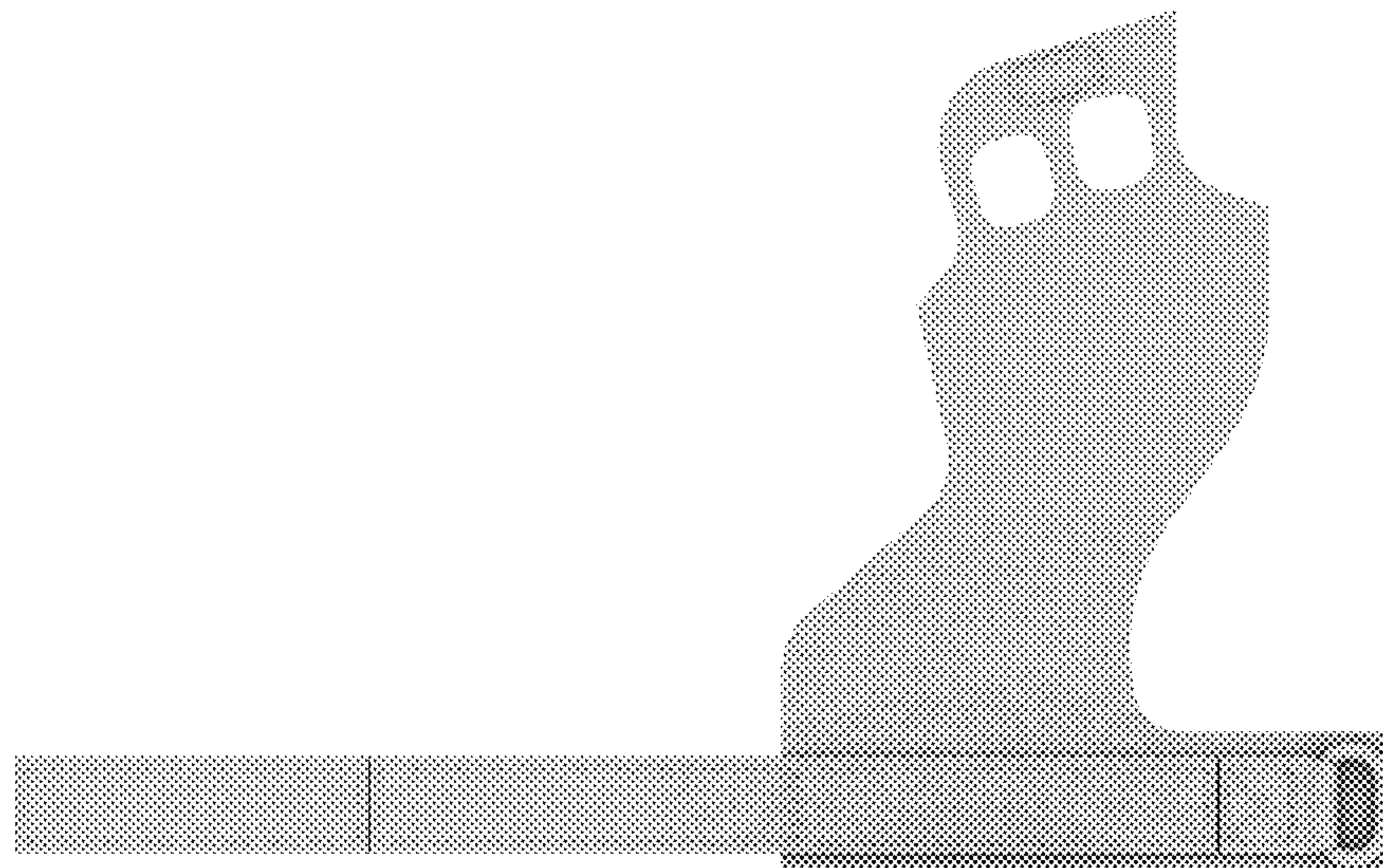
DESCRIPTION

1. Ergonomic gymnastic glove

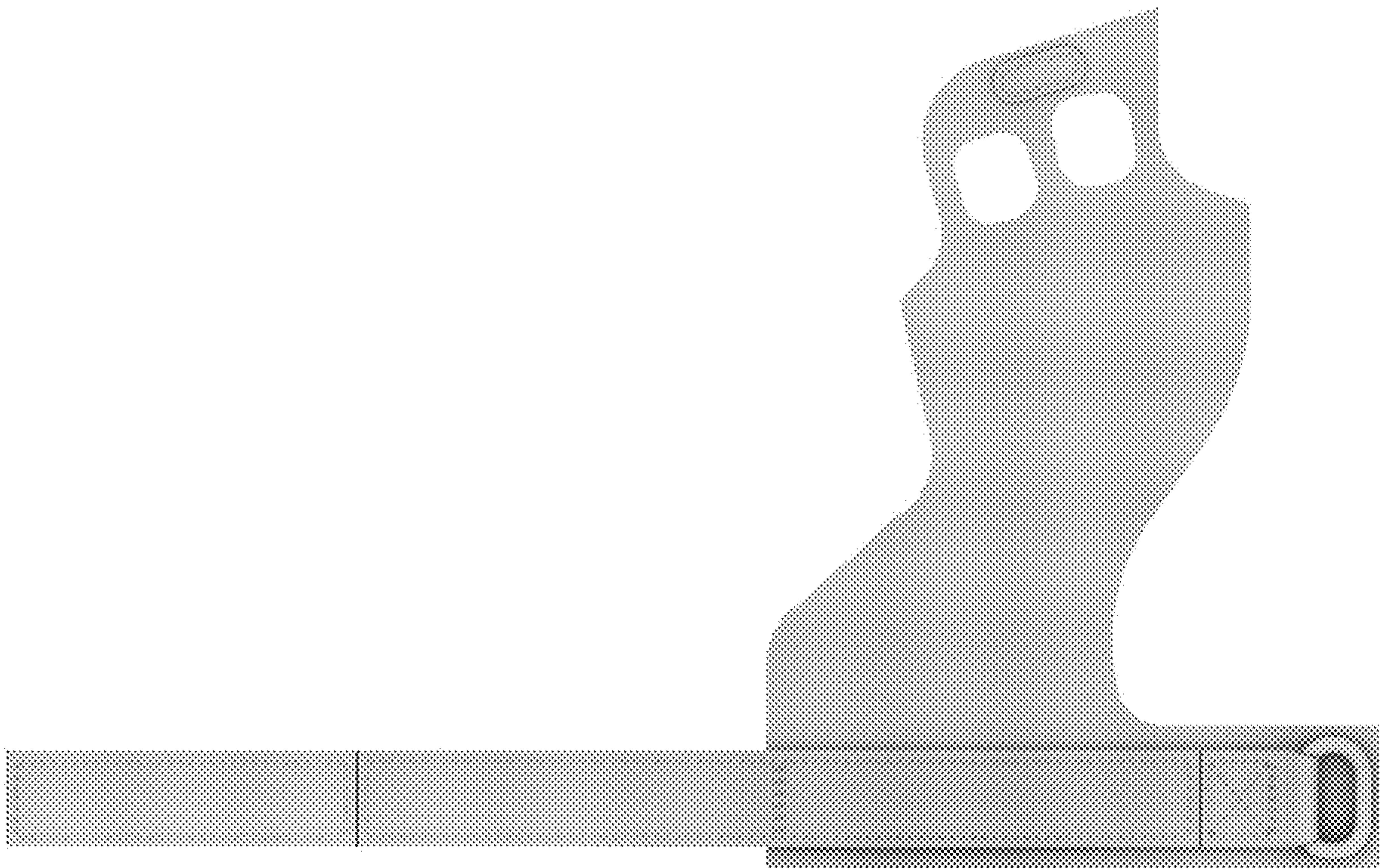
- 1.1 : Front
- 1.2 : Back
- 1.3 : Left
- 1.4 : Right
- 1.5 : Top
- 1.6 : Bottom
- 1.7 : Perspective
- 1.8 : Perspective
- 1.9 : Front
- 1.10 : Back
- 1.11 : Left
- 1.12 : Right
- 1.13 : Top
- 1.14 : Bottom
- 1.15 : Perspective
- 1.16 : Perspective
- 1.17 : Front
- 1.18 : Back
- 1.19 : Left
- 1.20 : Right
- 1.21 : Top
- 1.22 : Bottom
- 1.23 : Perspective
- 1.24 : Perspective

Design of ergonomic gymnastic glove used for CrossFit.

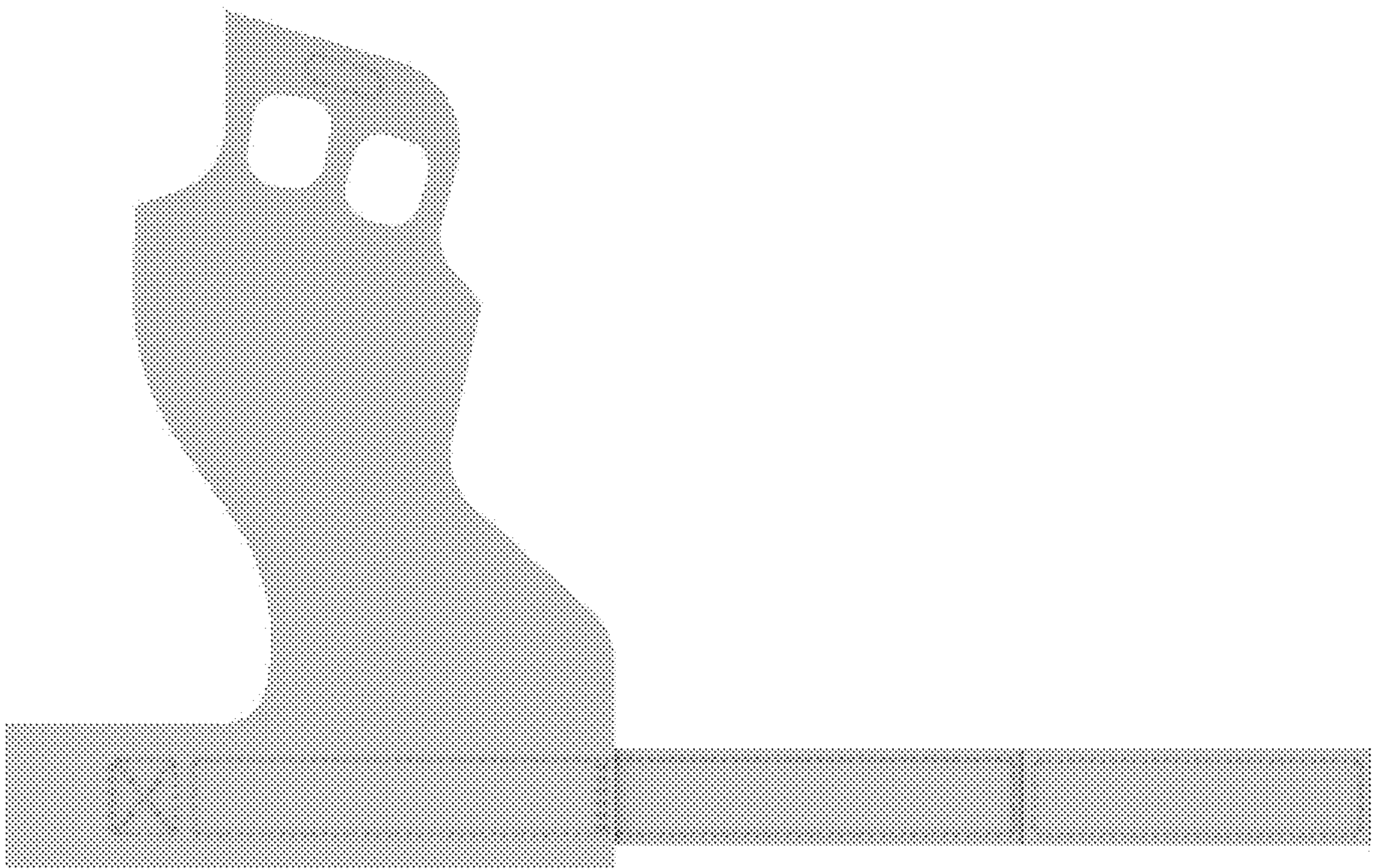
1 Claim, 24 Drawing Sheets



1.1



1.2



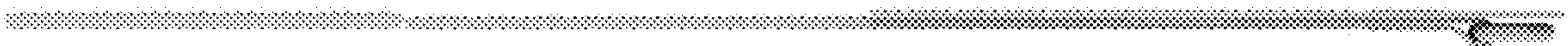
1.3



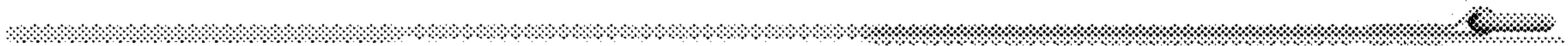
1.4



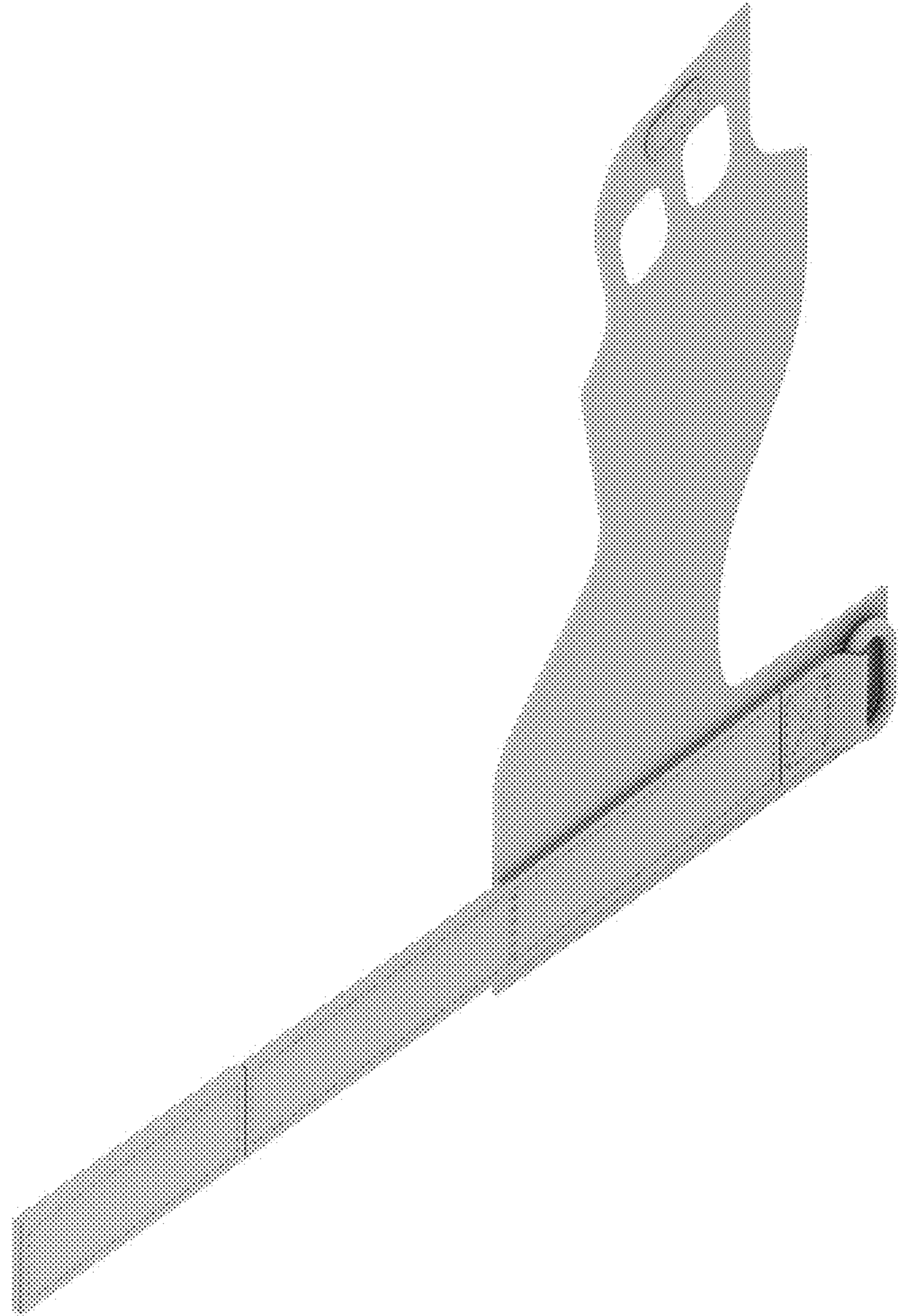
1.5



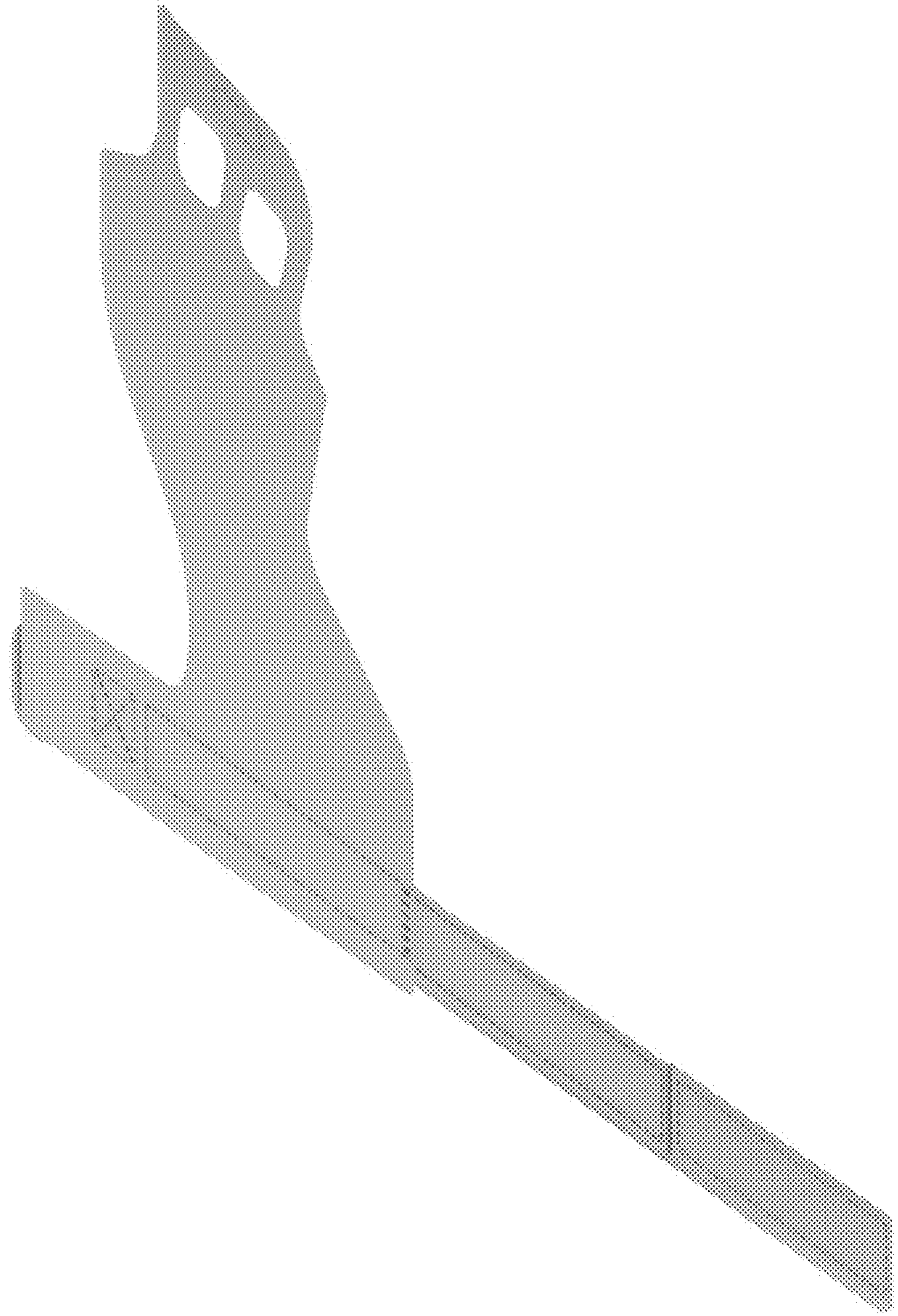
1.6



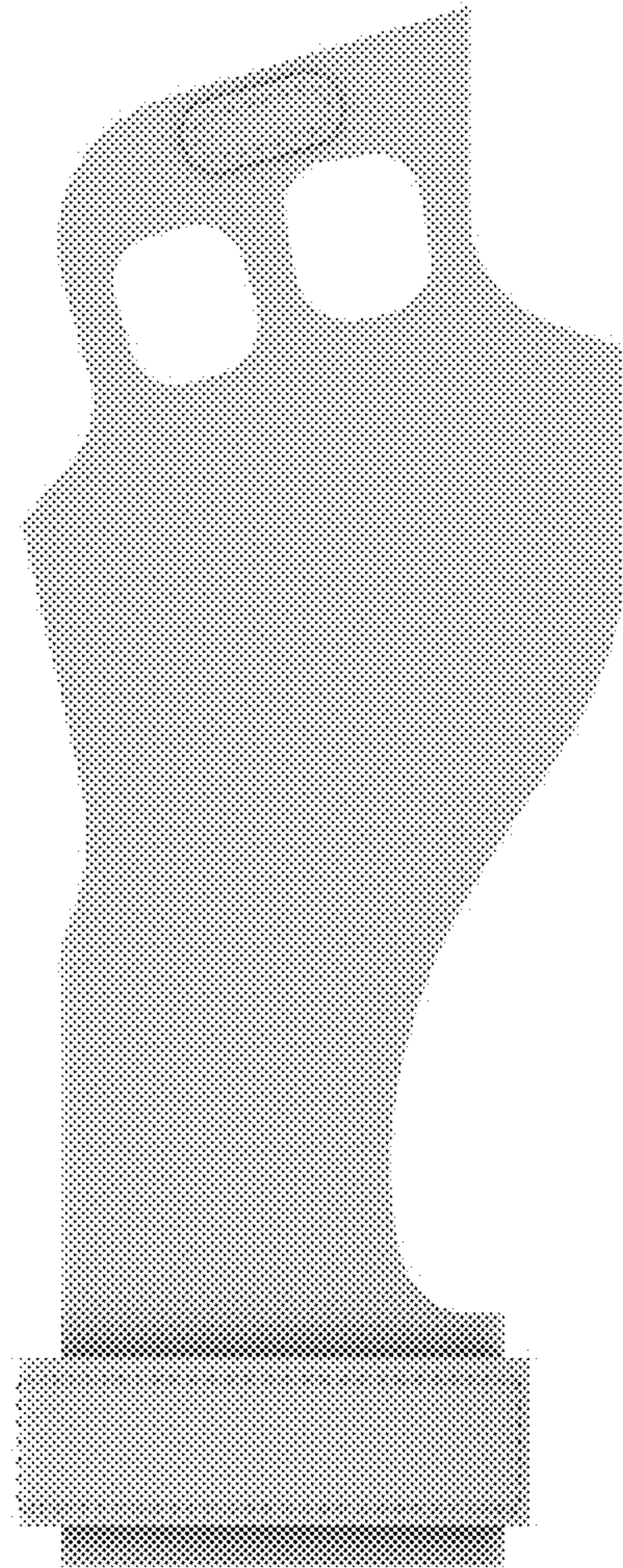
1.7



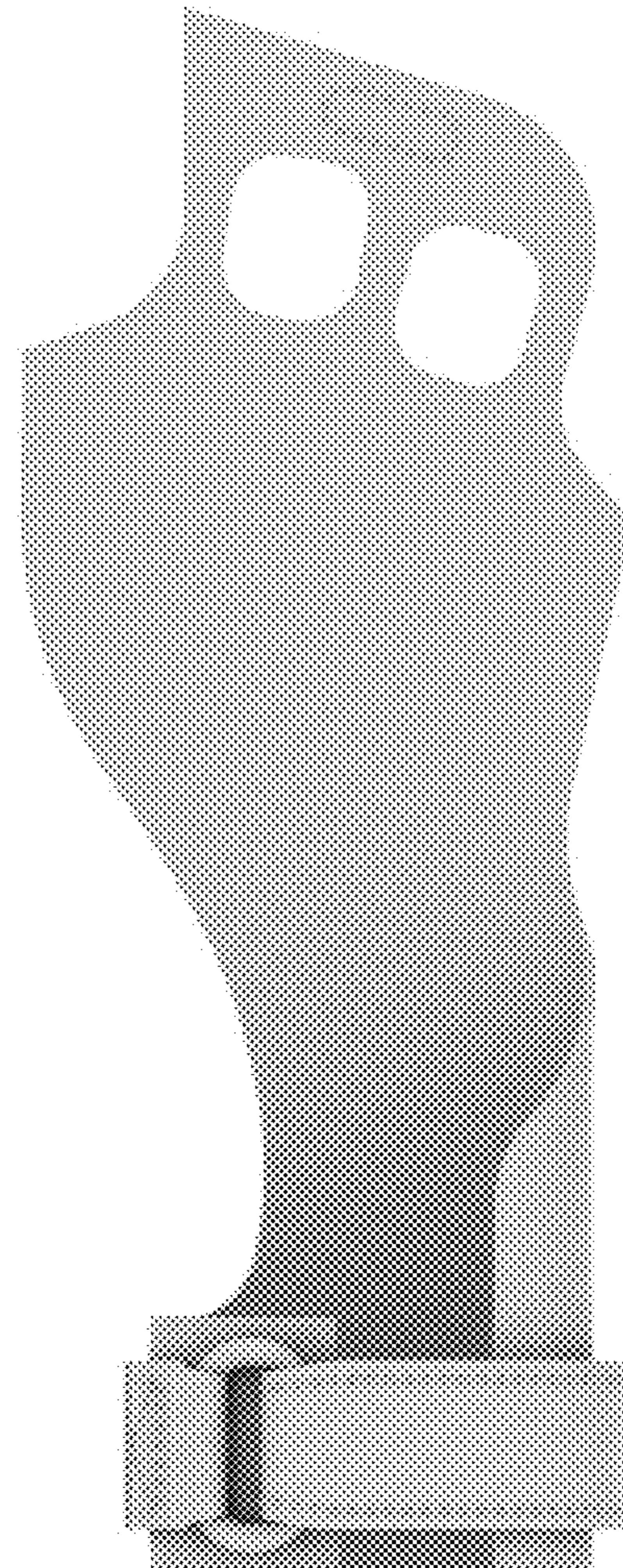
1.8



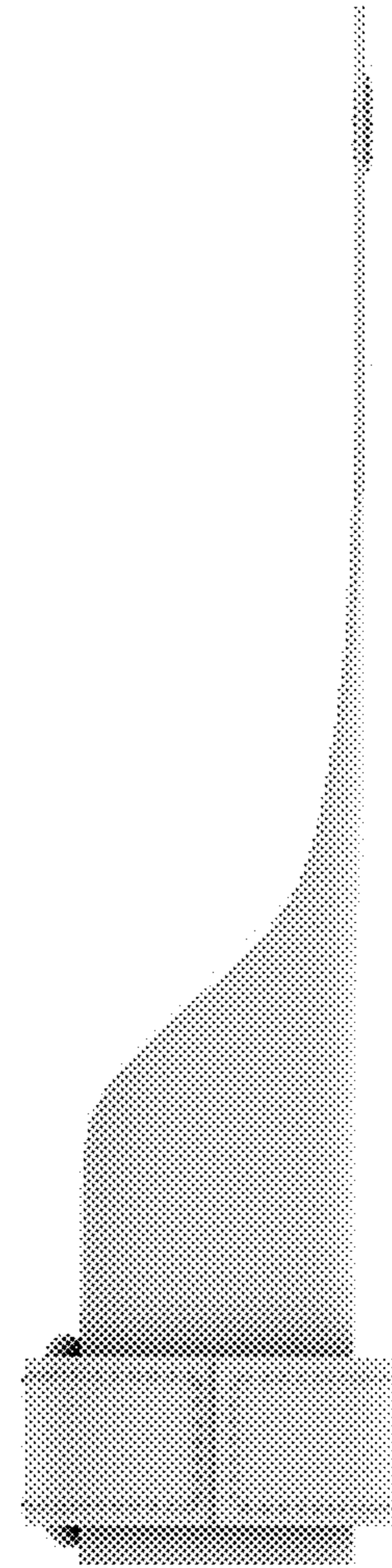
1.9



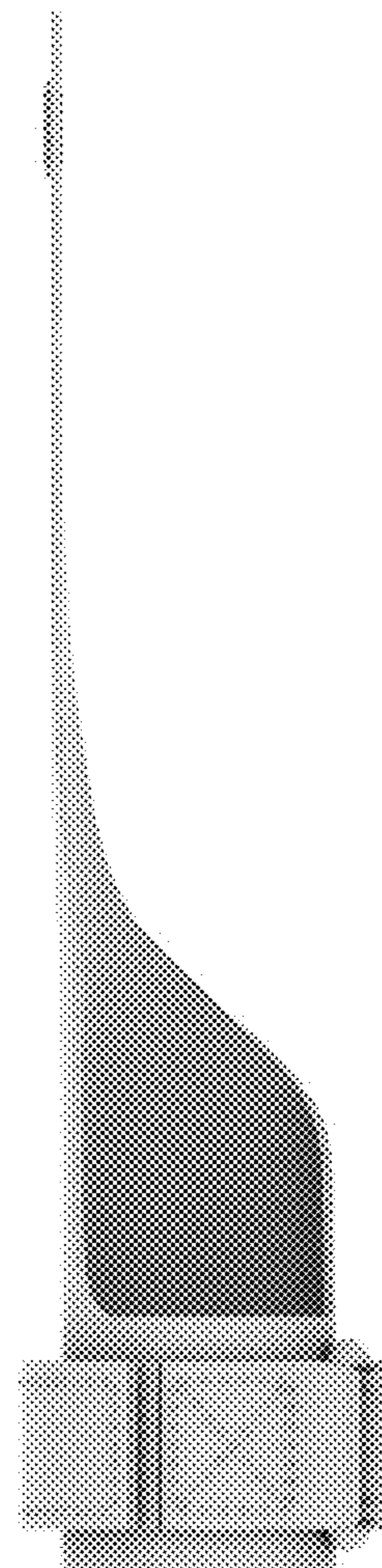
1.10



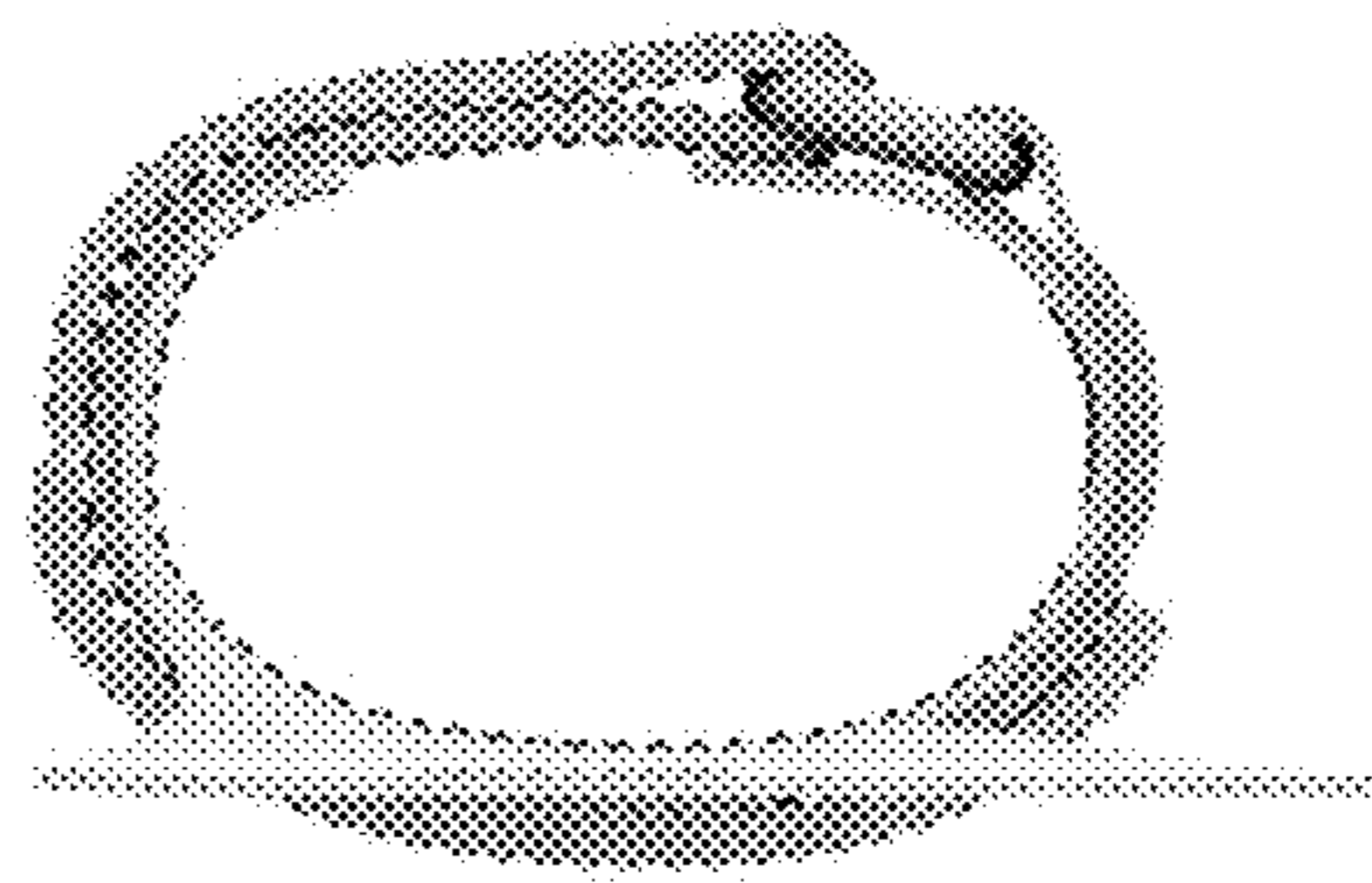
1.11



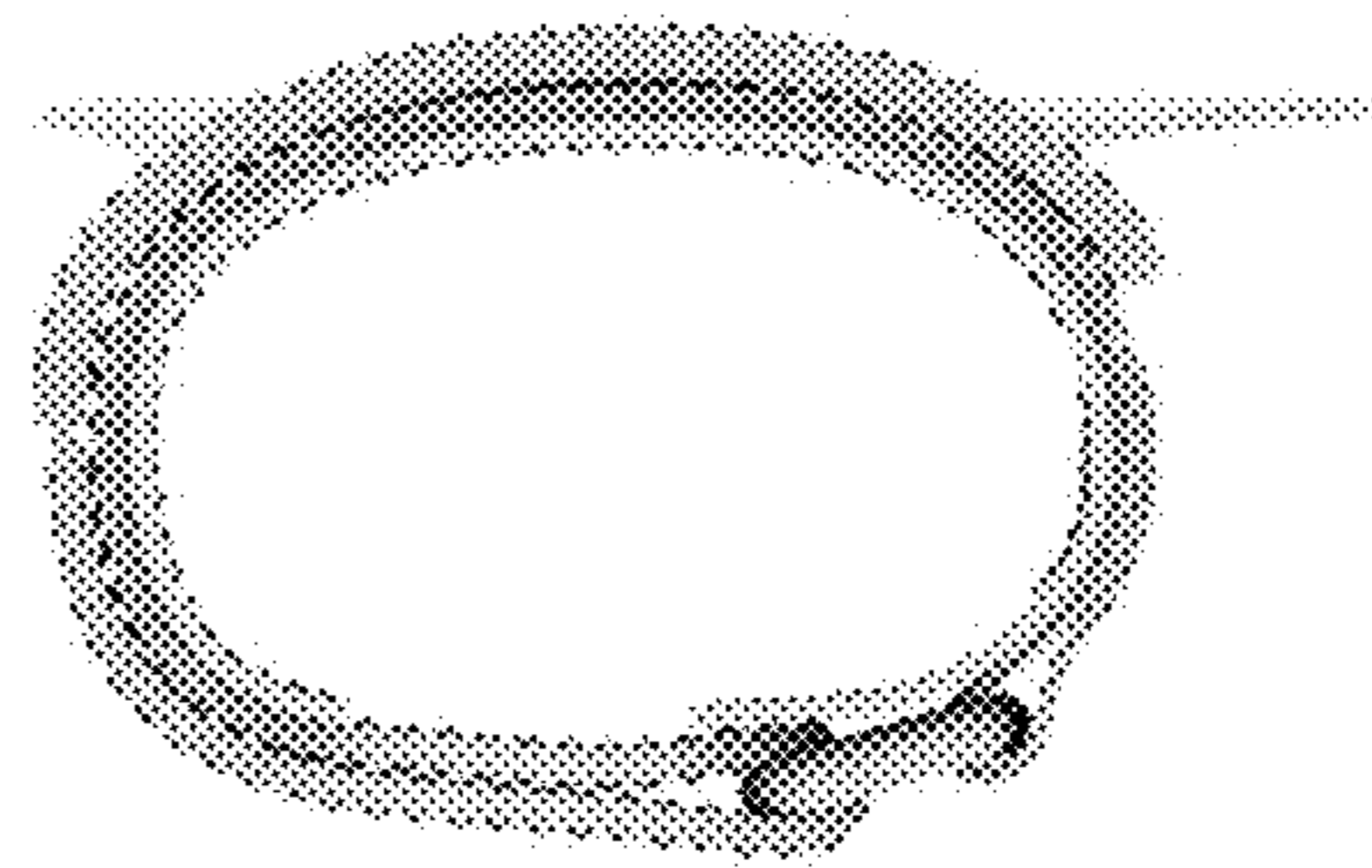
1.12



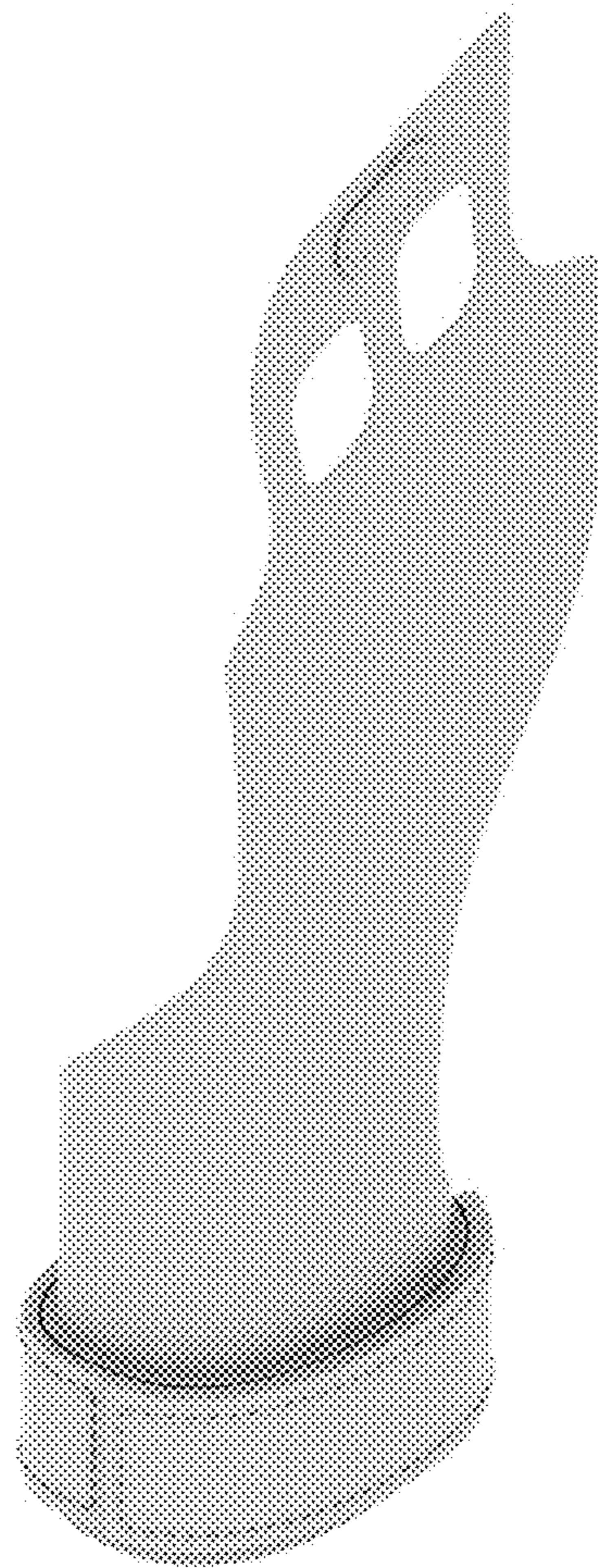
1.13



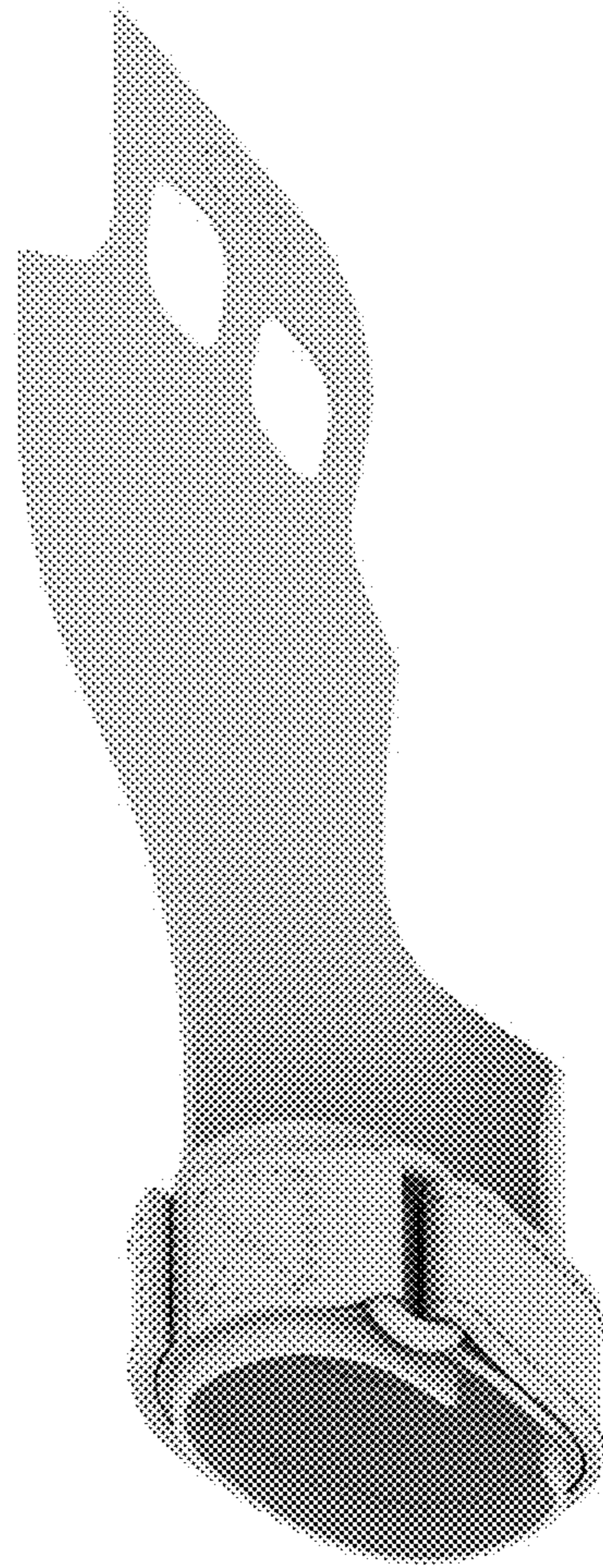
1.14



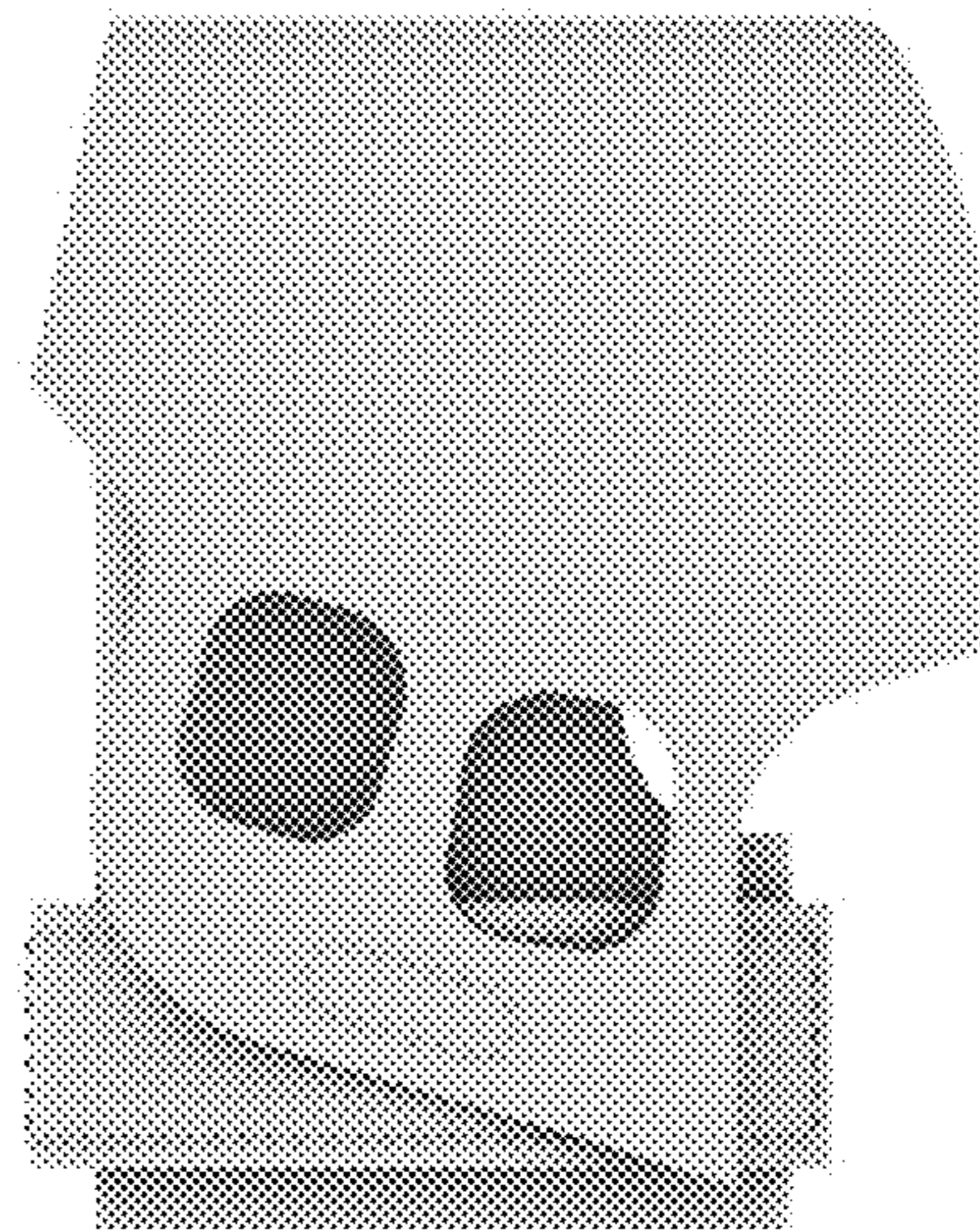
1.15



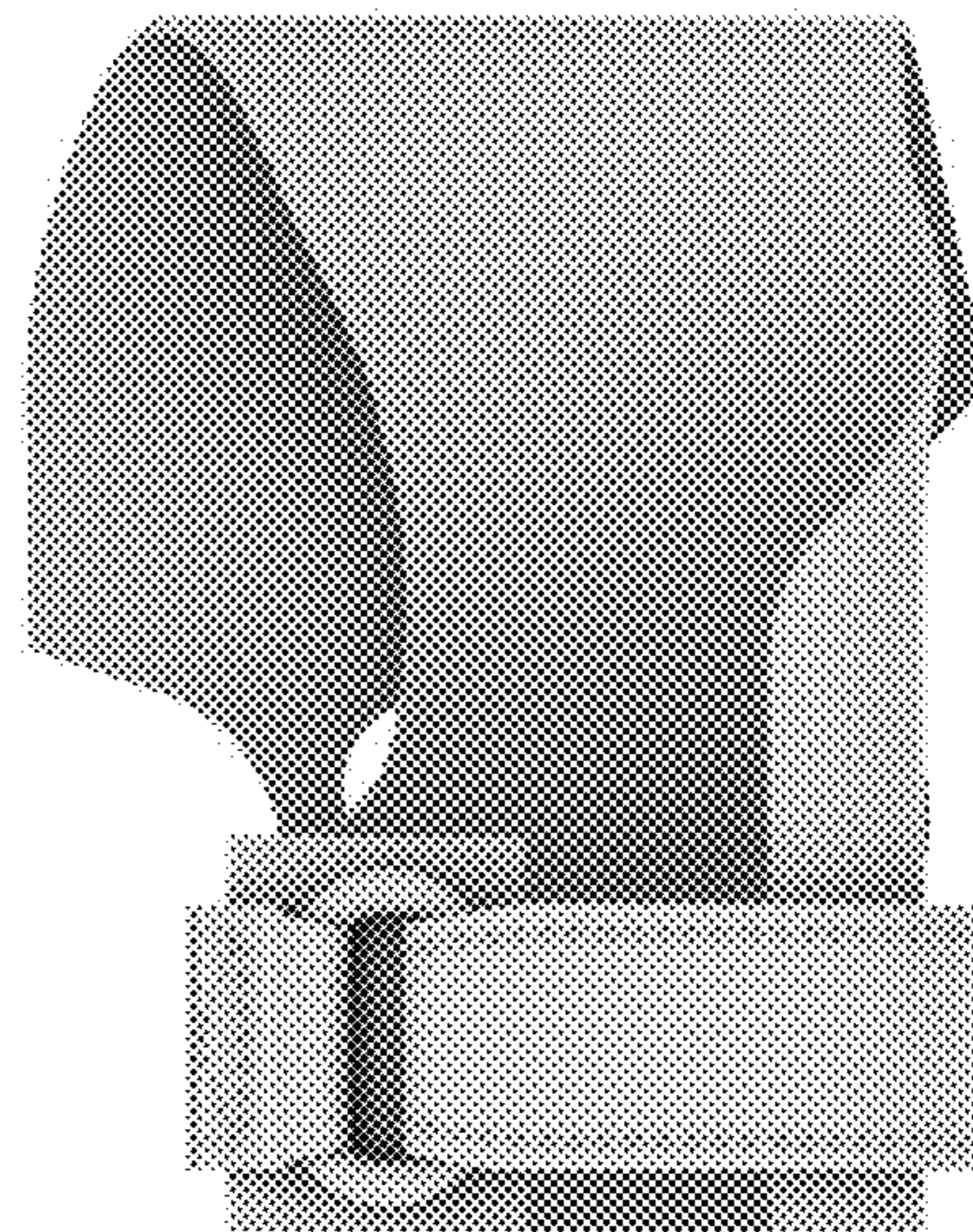
1.16



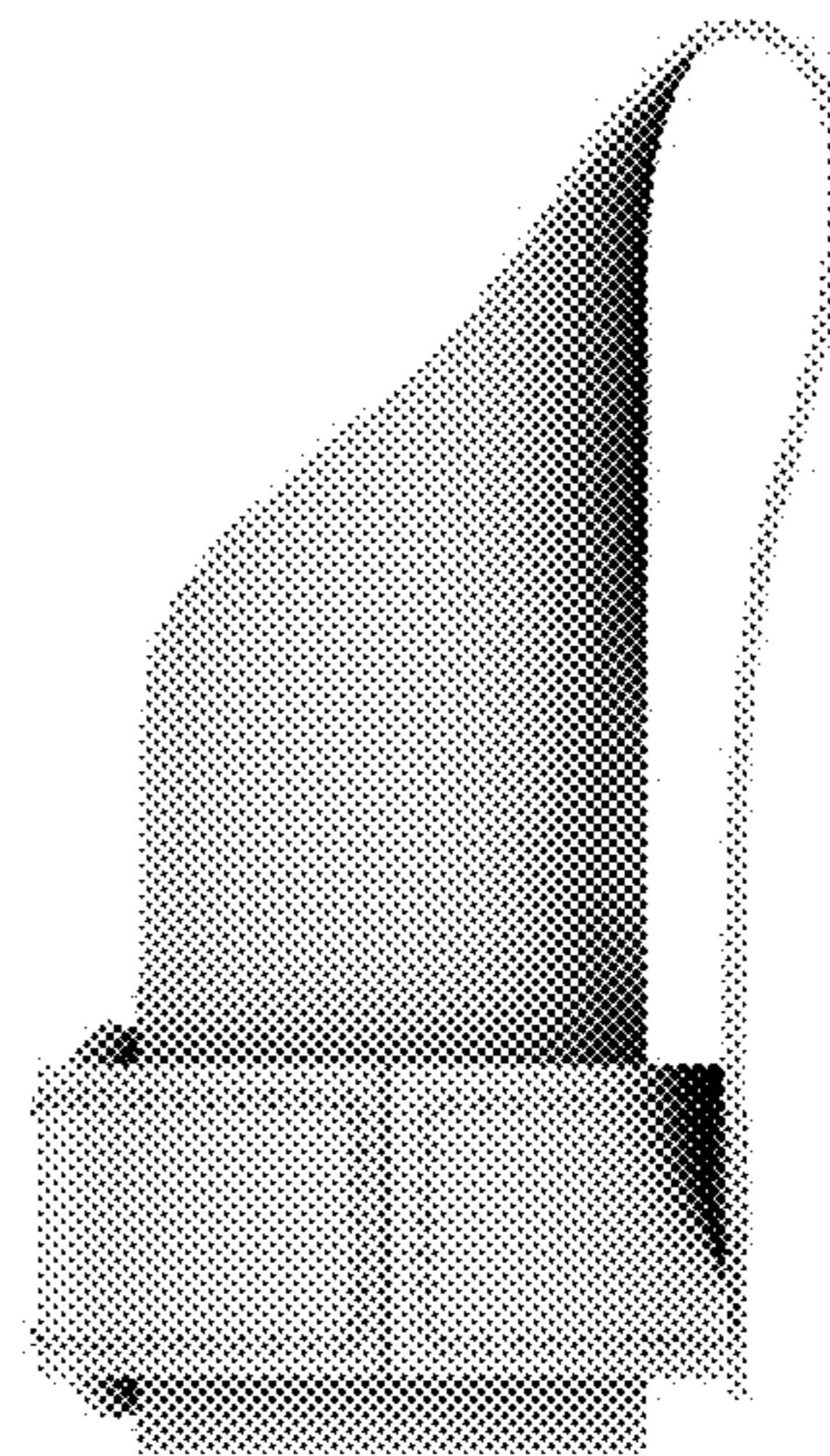
1.17



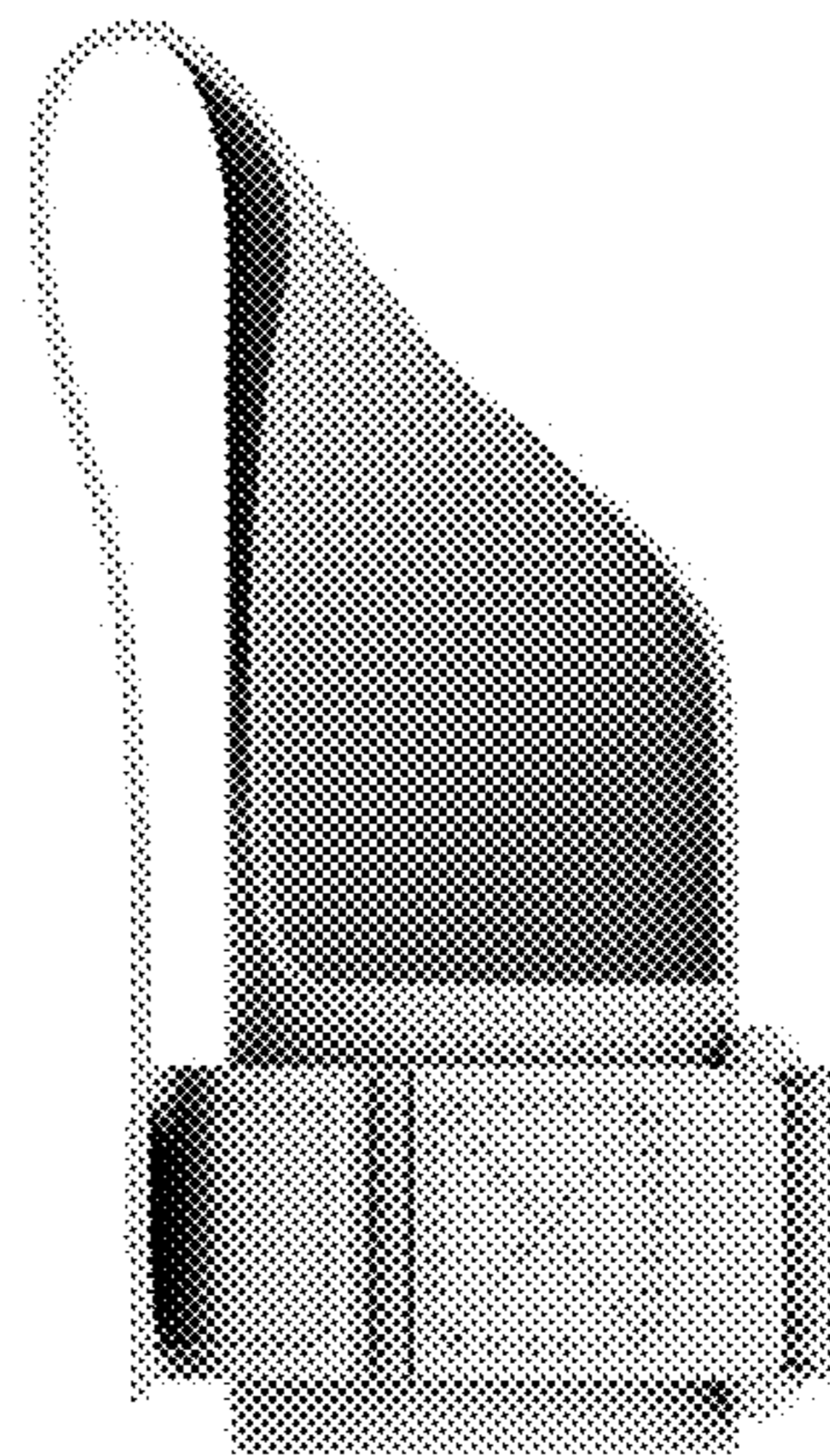
1.18



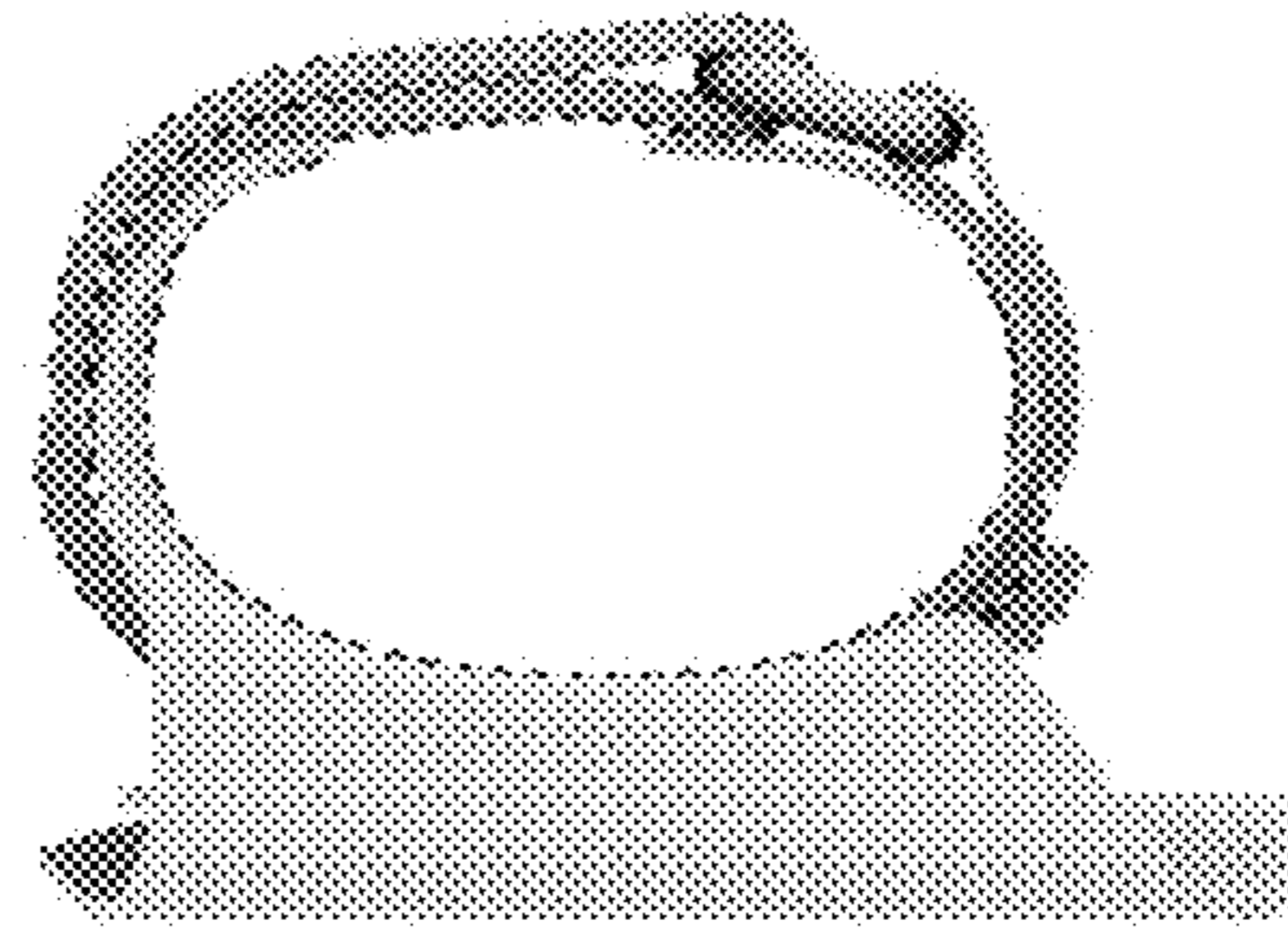
1.19



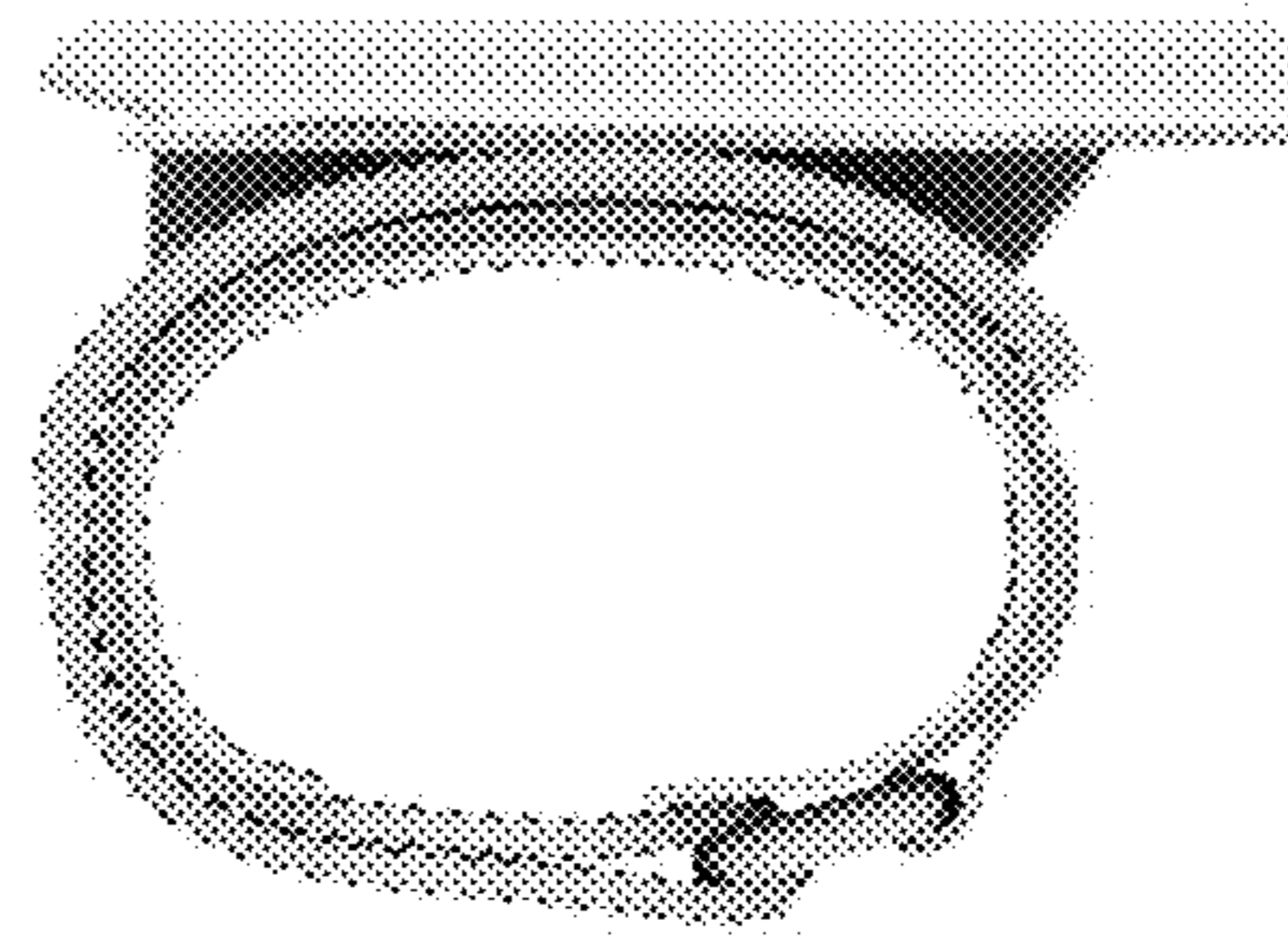
1.20



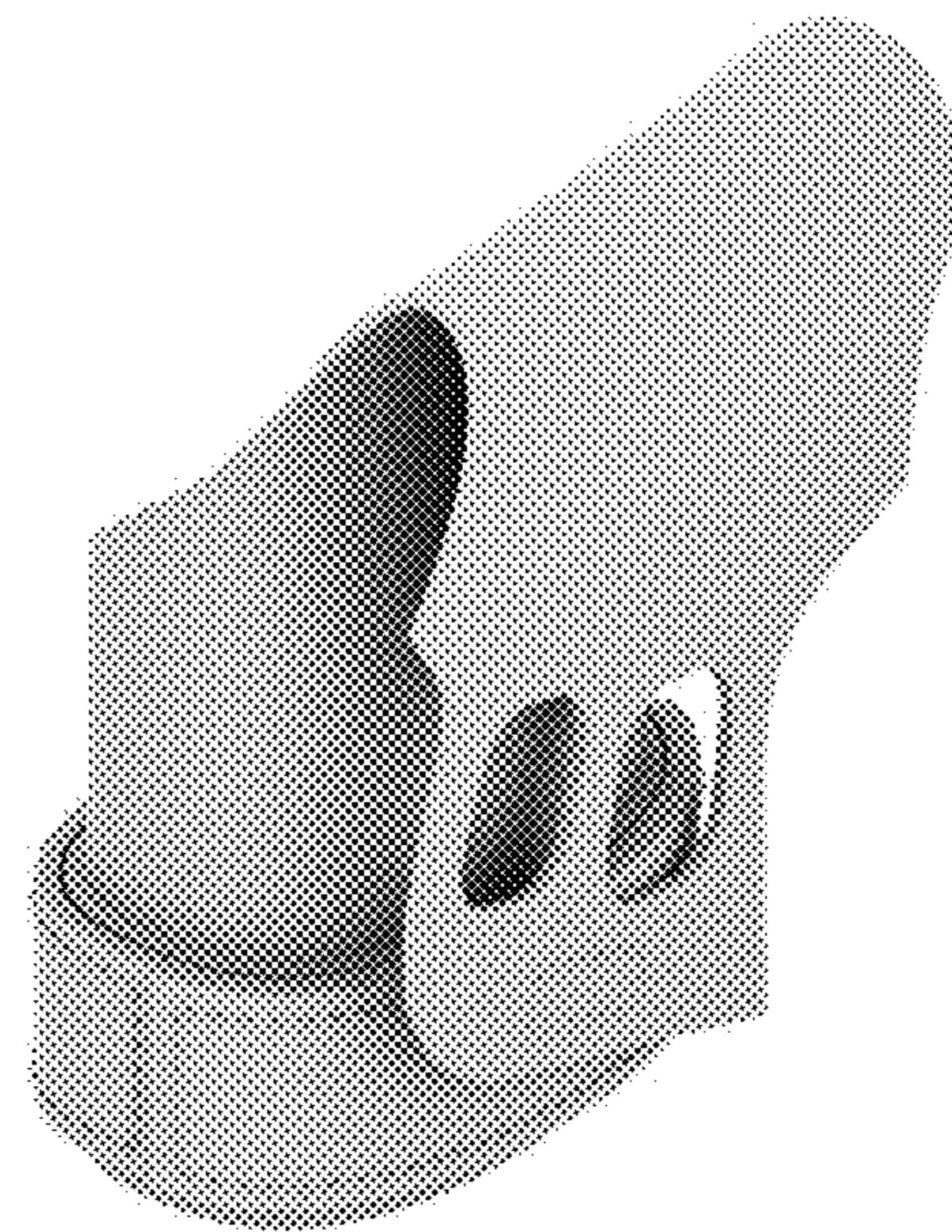
1.21



1.22



1.23



1.24

