



US00D923732S

(12) **United States Design Patent**
Parsons et al.

(10) **Patent No.:** **US D923,732 S**
(45) **Date of Patent:** **** Jun. 29, 2021**

(54) **GOLF CLUB HEAD**

- (71) Applicant: **PARSONS XTREME GOLF, LLC**,
Scottsdale, AZ (US)
- (72) Inventors: **Robert R. Parsons**, Scottsdale, AZ
(US); **Bradley D. Schweigert**, Cave
Creek, AZ (US); **Michael R. Nicolette**,
Scottsdale, AZ (US)
- (73) Assignee: **PARSONS XTREME GOLF, LLC**,
Scottsdale, AZ (US)
- (**) Term: **15 Years**
- (21) Appl. No.: **29/759,163**
- (22) Filed: **Nov. 20, 2020**

Related U.S. Application Data

- (63) Continuation-in-part of application No. 29/754,405,
filed on Oct. 9, 2020, which is a continuation-in-part
(Continued)
- (51) **LOC (13) Cl.** **21-02**
- (52) **U.S. Cl.**
USPC **D21/752**
- (58) **Field of Classification Search**
USPC D21/733, 752, 759
(Continued)

(56) **References Cited**

U.S. PATENT DOCUMENTS

- 1,133,129 A 3/1915 Govan
 - 1,269,745 A 6/1918 Robertson
- (Continued)

OTHER PUBLICATIONS

International Search Report and Written Opinion Received in Con-
nection With the Corresponding Application No. PCT/US15/42484,
dated Oct. 19, 2015 (12 Pages).

(Continued)

Primary Examiner — Mitchell I. Siegel

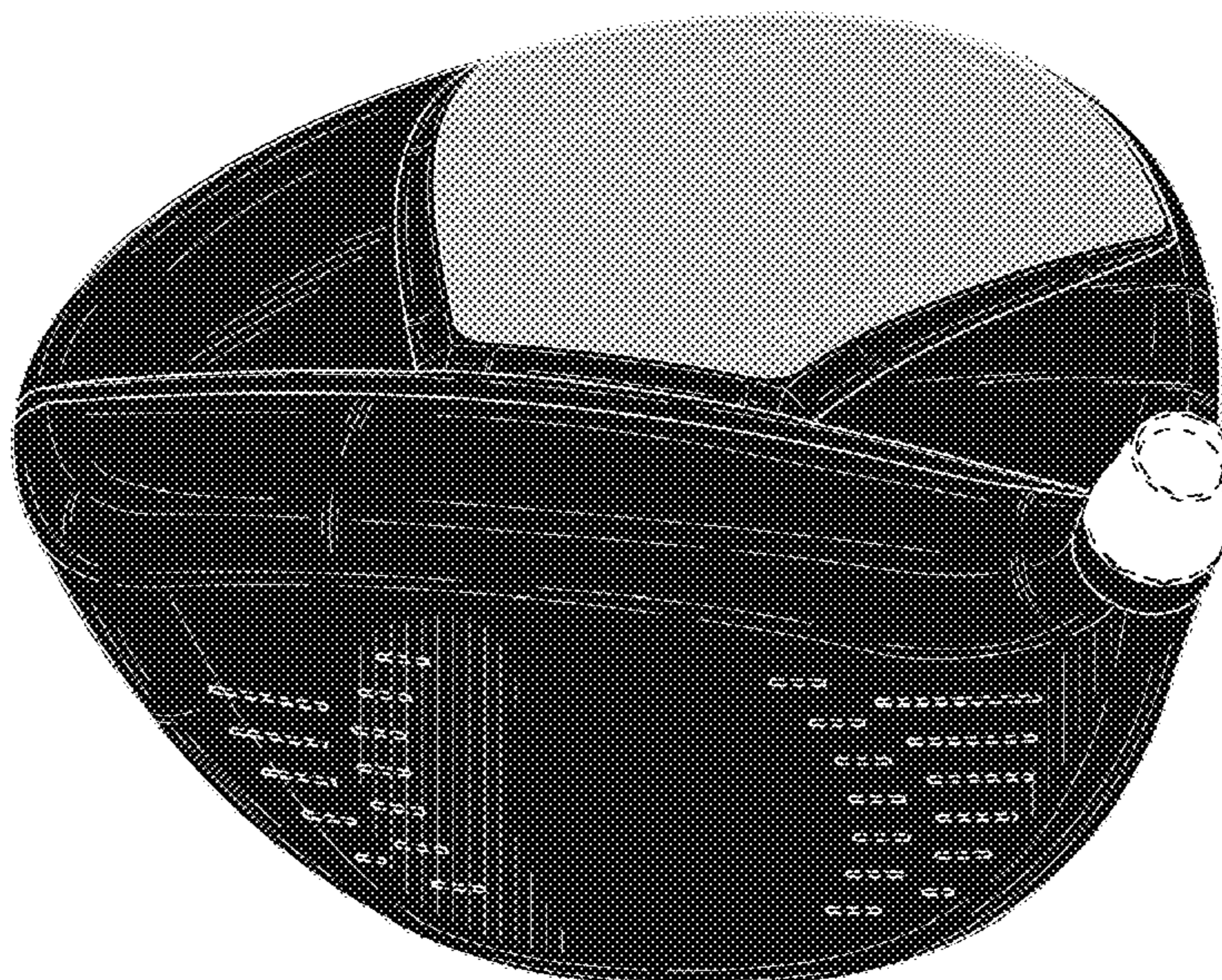
(57) **CLAIM**

The ornamental design for a golf club head, as shown and
described.

DESCRIPTION

FIG. 1 is a top perspective view of a golf club head;
FIG. 2 is a bottom perspective view of the golf club head of
FIG. 1;
FIG. 3 is a front elevational view of the golf club head of
FIG. 1;
FIG. 4 is a rear elevational view of the golf club head of FIG.
1;
FIG. 5 is a top view of the golf club head of FIG. 1;
FIG. 6 is a bottom view of the golf club head of FIG. 1;
FIG. 7 is a left side view of the golf club head of FIG. 1;
FIG. 8 is a right side view of the golf club head of FIG. 1;
FIG. 9 is a top perspective view of a second embodiment of
the golf club head;
FIG. 10 is a bottom perspective view of the golf club head
of FIG. 9;
FIG. 11 is a front elevational view of the golf club head of
FIG. 9;
FIG. 12 is a rear elevational view of the golf club head of
FIG. 9;
FIG. 13 is a top view of the golf club head of FIG. 9;
FIG. 14 is a bottom view of the golf club head of FIG. 9;
FIG. 15 is a left side view of the golf club head of FIG. 9;
and,
FIG. 16 is a right side view of the golf club head of FIG. 9.
The broken lines shown on the drawing views form no part
of the claimed design. The surfaces disclosed in white within
the broken lines form no part of the claimed design.

1 Claim, 8 Drawing Sheets



Related U.S. Application Data

of application No. 29/745,977, filed on Aug. 11, 2020.

(58) **Field of Classification Search**

CPC A63B 53/00; A63B 53/04; A63B 53/0466;
A63B 2053/002; A63B 2053/0445; A63B
2053/0433; A63B 2053/0491; A63B
2053/0437; A63B 60/00; A63B 60/46

See application file for complete search history.

(56) **References Cited**

U.S. PATENT DOCUMENTS

1,306,029 A 6/1919 Robertson
D55,867 S 7/1920 Matters
1,509,429 A 9/1924 Hillerich
1,534,600 A 4/1925 Mattern
1,538,312 A 5/1925 Neish
1,543,691 A 6/1925 Beat
1,774,590 A 9/1930 Buhrke
D84,525 S * 6/1931 Klin D21/752
D94,549 S 2/1935 Jansky
D94,550 S 2/1935 Jansky
D138,437 S * 8/1944 Link D21/752
D138,438 S * 8/1944 Link D21/752
D138,439 S * 8/1944 Link D21/752
D138,441 S * 8/1944 Link D21/752
D138,442 S * 8/1944 Link D21/752
D164,469 S 9/1951 Behrendt
D185,177 S 5/1959 Smith
3,020,048 A 2/1962 Carroll
D203,936 S 3/1966 Long
D215,101 S 9/1969 Sabat
3,556,553 A 1/1971 Kolbe
3,652,094 A 3/1972 Glover
D229,431 S 11/1973 Baker
D234,609 S 3/1975 Raymont
D234,610 S 3/1975 Raymont
D234,963 S 4/1975 Hirata
D239,550 S 4/1976 Timbrook
D240,054 S 5/1976 Meissler
D240,748 S 7/1976 Bock et al.
D241,956 S 10/1976 Timbrook
4,085,934 A 4/1978 Churchward
D253,778 S 12/1979 Madison
D261,167 S 10/1981 Swanson
4,332,388 A 6/1982 Crow
D285,954 S 9/1986 Hasegawa
D294,617 S 3/1988 Perkins
4,754,977 A 7/1988 Sahn
4,824,116 A 4/1989 Nagamoto et al.
D307,783 S 5/1990 Iinuma
4,988,104 A 1/1991 Shiotani et al.
D326,885 S 6/1992 Paul
5,158,296 A 10/1992 Lee
5,176,384 A 1/1993 Sata et al.
5,213,328 A 5/1993 Long et al.
5,213,329 A 5/1993 Okumoto et al.
D336,672 S 6/1993 Gorman
D336,935 S 6/1993 York et al.
D338,935 S 8/1993 Antonious
D344,561 S 2/1994 Gorman
D351,883 S 10/1994 Solheim et al.
D353,862 S 12/1994 Saito
D357,520 S 4/1995 Helmstetter et al.
5,419,560 A 5/1995 Bamber
5,425,535 A 6/1995 Gee
D361,358 S 8/1995 Simmons
5,447,311 A 9/1995 Viollaz et al.
5,451,056 A 9/1995 Manning
D362,884 S 10/1995 Blough et al.
D362,885 S 10/1995 Blough et al.
D362,887 S 10/1995 Blough et al.
5,518,243 A 5/1996 Redman
D370,514 S 6/1996 Blough et al.
D371,816 S 7/1996 Yoshioka

5,540,437 A 7/1996 Bamber
D378,111 S 2/1997 Parente et al.
5,637,045 A 6/1997 Igarashi
D384,120 S 9/1997 Cruz et al.
5,669,830 A 9/1997 Bamber
D389,541 S 1/1998 Huan-Chiang
D395,476 S 6/1998 Pond et al.
5,766,091 A 6/1998 Humphrey et al.
5,766,092 A 6/1998 Mimeur et al.
5,788,584 A 8/1998 Parente et al.
D399,277 S 10/1998 Ezaki
5,827,132 A 10/1998 Bamber
D400,625 S 11/1998 Kubica et al.
D400,627 S 11/1998 Kubica et al.
D402,340 S * 12/1998 Sheets D21/733
D405,489 S 2/1999 Kubica et al.
D405,492 S 2/1999 Kubica et al.
D408,485 S 4/1999 Takahashi et al.
5,899,821 A 5/1999 Hsu et al.
5,935,016 A 8/1999 Antonious
D414,535 S 9/1999 Mertens
D421,080 S 2/2000 Chen
D426,276 S 6/2000 Besnard et al.
6,077,171 A 6/2000 Yoneyama
D442,659 S 5/2001 Kubica et al.
D443,008 S 5/2001 Kubica et al.
D444,830 S 7/2001 Kubica et al.
D445,862 S 7/2001 Ford
6,290,609 B1 9/2001 Takeda
D448,824 S 10/2001 Koizumi et al.
D449,866 S 10/2001 Miller
D457,211 S 5/2002 Bakke
D460,989 S * 7/2002 Ehlers D21/733
D469,833 S 2/2003 Roberts et al.
D473,276 S * 4/2003 Kenmi D21/752
D473,604 S 4/2003 Antonious
D473,605 S 4/2003 Petersen et al.
D475,107 S 5/2003 Madore
D476,048 S 6/2003 Cleveland et al.
D478,140 S 8/2003 Burrows
D478,949 S 8/2003 DeLaCruz
D481,087 S 10/2003 Antonious
6,638,182 B2 10/2003 Kosmatka
6,695,714 B1 2/2004 Bliss et al.
6,702,693 B2 3/2004 Bamber
D491,992 S * 6/2004 Baiocchi D21/752
6,773,360 B2 8/2004 Willett et al.
6,780,123 B2 8/2004 Hasebe
D497,963 S 11/2004 Toulon et al.
6,811,496 B2 11/2004 Wahl et al.
D499,779 S 12/2004 Mahaffey et al.
D502,975 S 3/2005 Schweigert et al.
D503,204 S 3/2005 Nicolette et al.
D505,701 S * 5/2005 Dogan D21/733
D507,320 S 7/2005 Roberts et al.
D508,545 S 8/2005 Roberts et al.
D508,969 S 8/2005 Hasebe
6,923,733 B2 8/2005 Chen
6,939,247 B1 9/2005 Schweigert et al.
D513,051 S 12/2005 Barez et al.
D514,179 S 1/2006 Chen et al.
D514,183 S 1/2006 Schweigert et al.
D514,185 S 1/2006 Barez et al.
D515,157 S * 2/2006 Madore D21/752
D515,642 S 2/2006 Antonious
D516,650 S 3/2006 Wolfe et al.
D518,863 S 4/2006 Motoyoshi et al.
D520,585 S 5/2006 Hasebe
D520,586 S 5/2006 Bingman
D522,077 S 5/2006 Schweigert et al.
D522,601 S 6/2006 Schweigert et al.
D523,103 S * 6/2006 Hocknell D21/752
D523,104 S 6/2006 Hasebe
D523,498 S 6/2006 Chen et al.
D523,501 S 6/2006 Nicolette et al.
D523,917 S 6/2006 Wolfe et al.
D524,392 S * 7/2006 Madore D21/759
D524,396 S * 7/2006 Madore D21/759
D524,397 S * 7/2006 Madore D21/759

(56)

References Cited

U.S. PATENT DOCUMENTS

D524,889 S	7/2006	Yu et al.	
D526,372 S	8/2006	Kohno	
D526,694 S	8/2006	Schweigert et al.	
7,121,956 B2	10/2006	Lo	
7,128,663 B2	10/2006	Bamber	
D533,611 S *	12/2006	Mahaffey	D21/752
D534,595 S	1/2007	Hasebe	
D534,599 S	1/2007	Barez et al.	
7,156,751 B2	1/2007	Wahl et al.	
7,166,040 B2	1/2007	Hoffman et al.	
D536,401 S	2/2007	Kawami	
D536,402 S	2/2007	Kawami	
D536,403 S	2/2007	Kawami	
D537,495 S	2/2007	Schweigert et al.	
7,182,698 B2	2/2007	Tseng	
D538,363 S	3/2007	Schweigert et al.	
D538,371 S	3/2007	Kawami	
7,186,190 B1	3/2007	Beach et al.	
7,207,900 B2	4/2007	Nicolette et al.	
D543,601 S	5/2007	Kawami	
7,223,180 B2	5/2007	Willett et al.	
D550,318 S *	9/2007	Oldknow	D21/759
D552,198 S	10/2007	Schweigert et al.	
D555,219 S	11/2007	Lin	
D556,280 S *	11/2007	Madore	D21/752
D556,288 S	11/2007	Robinson et al.	
D557,363 S	12/2007	Jertson et al.	
D558,287 S	12/2007	Jertson et al.	
7,303,486 B2	12/2007	Imamoto	
D559,932 S	1/2008	Belmont	
D561,284 S	2/2008	Nagai et al.	
D562,421 S	2/2008	Jertson et al.	
D563,498 S	3/2008	Jertson et al.	
D564,054 S	3/2008	Jertson et al.	
D564,055 S	3/2008	Jertson et al.	
7,338,388 B2	3/2008	Schweigert et al.	
7,347,794 B2	3/2008	Schweigert	
D567,317 S	4/2008	Jertson et al.	
7,351,164 B2	4/2008	Schweigert et al.	
D569,933 S	5/2008	Jertson et al.	
D569,934 S	5/2008	Jertson et al.	
D569,935 S	5/2008	Schweigert et al.	
D569,936 S	5/2008	Schweigert et al.	
D569,942 S	5/2008	Jertson et al.	
D570,937 S	6/2008	Schweigert et al.	
D570,938 S	6/2008	Jertson et al.	
7,396,299 B2	7/2008	Nicolette et al.	
7,407,447 B2	8/2008	Beach et al.	
7,410,425 B2	8/2008	Willett et al.	
7,410,426 B2	8/2008	Willett et al.	
7,419,441 B2	9/2008	Hoffman et al.	
D579,507 S	10/2008	Llewellyn et al.	
7,448,963 B2	11/2008	Beach et al.	
7,448,964 B2	11/2008	Schweigert et al.	
D584,370 S	1/2009	Cleveland et al.	
7,530,904 B2	5/2009	Beach et al.	
D594,518 S	6/2009	Schweigert	
D594,520 S	6/2009	Schweigert et al.	
D594,521 S	6/2009	Jertson et al.	
D594,919 S	6/2009	Schweigert et al.	
7,540,811 B2	6/2009	Beach et al.	
D597,620 S	8/2009	Taylor et al.	
7,568,985 B2	8/2009	Beach et al.	
7,578,753 B2	8/2009	Beach et al.	
D600,297 S	9/2009	Jertson et al.	
7,584,531 B2	9/2009	Schweigert et al.	
7,588,502 B2	9/2009	Nishino	
7,591,738 B2	9/2009	Beach et al.	
D603,472 S	11/2009	Schweigert et al.	
D604,783 S	11/2009	Nicolette et al.	
7,611,424 B2	11/2009	Nagai et al.	
7,621,823 B2	11/2009	Beach et al.	
D605,715 S	12/2009	Barez et al.	
D606,605 S	12/2009	Wada et al.	
D607,070 S	12/2009	Wada et al.	
D607,071 S	12/2009	Wada et al.	
7,632,194 B2	12/2009	Beach et al.	
7,658,686 B2	2/2010	Soracco	
D612,438 S	3/2010	Carlyle et al.	
D612,439 S	3/2010	Carlyle et al.	
7,713,142 B2	5/2010	Hoffman et al.	
7,717,804 B2	5/2010	Beach et al.	
7,717,805 B2	5/2010	Beach et al.	
D617,406 S	6/2010	Carlyle et al.	
D618,293 S	6/2010	Foster et al.	
D618,746 S	6/2010	Jertson et al.	
D618,747 S	6/2010	Schweigert et al.	
D618,748 S *	6/2010	Oldknow	D21/759
D618,751 S *	6/2010	Breier	D21/759
D618,753 S	6/2010	Jertson et al.	
D618,754 S	6/2010	Schweigert et al.	
7,744,484 B1	6/2010	Chao	
D621,893 S	8/2010	Nicolette et al.	
7,798,203 B2	9/2010	Schweigert et al.	
7,798,917 B2	9/2010	Nguyen et al.	
7,815,521 B2	10/2010	Ban et al.	
7,846,040 B2	12/2010	Ban	
7,846,041 B2	12/2010	Beach et al.	
D633,967 S	3/2011	Carlyle et al.	
D635,626 S	4/2011	Nicolette	
7,927,229 B2	4/2011	Jertson et al.	
D638,893 S	5/2011	Schweigert et al.	
D638,896 S	5/2011	Schweigert et al.	
7,938,738 B2	5/2011	Roach	
7,963,861 B2	6/2011	Beach et al.	
D643,490 S	8/2011	Wada et al.	
8,012,038 B1	9/2011	Beach et al.	
D647,585 S	10/2011	Jertson et al.	
8,062,150 B2	11/2011	Gilbert et al.	
D652,464 S *	1/2012	Bertone	D21/733
8,088,025 B2	1/2012	Wahl et al.	
8,092,319 B1	1/2012	Cackett et al.	
8,105,180 B1	1/2012	Cackett et al.	
D658,248 S	4/2012	Nunez et al.	
D661,751 S	6/2012	Nicolette et al.	
D661,756 S	6/2012	Nicolette et al.	
8,221,262 B1	7/2012	Cackett et al.	
8,246,487 B1	8/2012	Cackett et al.	
8,257,196 B1	9/2012	Abbott et al.	
8,257,197 B2	9/2012	Schweigert	
8,262,506 B2	9/2012	Watson et al.	
8,328,662 B2	12/2012	Nakamura et al.	
D673,630 S	1/2013	Schweigert	
D673,632 S	1/2013	Schweigert et al.	
8,371,957 B2	2/2013	Schweigert et al.	
8,376,878 B2	2/2013	Bennett et al.	
D680,179 S	4/2013	Solheim et al.	
D681,142 S	4/2013	Fossum et al.	
8,414,422 B2	4/2013	Peralta et al.	
8,485,919 B2	7/2013	Rice et al.	
8,506,420 B2	8/2013	Hocknell et al.	
D689,156 S	9/2013	Stokke et al.	
D691,230 S	10/2013	Chen et al.	
8,545,343 B2	10/2013	Boyd et al.	
8,562,457 B2	10/2013	Beach et al.	
8,574,094 B2	11/2013	Nicolette et al.	
8,608,587 B2	12/2013	Henrikson et al.	
8,628,431 B2	1/2014	Schweigert et al.	
8,657,700 B2	2/2014	Nicolette et al.	
8,663,026 B2	3/2014	Blowers et al.	
8,690,710 B2	4/2014	Nicolette et al.	
D707,316 S	6/2014	Aguayo et al.	
D707,317 S	6/2014	Aguayo et al.	
8,753,230 B2	6/2014	Stokke et al.	
8,777,778 B2	7/2014	Solheim et al.	
8,784,232 B2	7/2014	Jertson et al.	
8,790,196 B2	7/2014	Solheim et al.	
8,808,108 B2	8/2014	Schweigert	
D712,989 S *	9/2014	Gillig	D21/752
8,826,512 B2	9/2014	Schweigert	
8,827,832 B2	9/2014	Breier et al.	
8,827,833 B2	9/2014	Amano et al.	
8,845,455 B2	9/2014	Ban et al.	
D714,894 S	10/2014	Tang et al.	

(56)

References Cited

U.S. PATENT DOCUMENTS

D716,387 S 10/2014 Aguayo et al.
 D716,388 S 10/2014 Aguayo et al.
 8,858,362 B1 10/2014 Leposky et al.
 D721,544 S 1/2015 Hollander
 D722,352 S 2/2015 Nicolette et al.
 D723,120 S 2/2015 Nicolette
 8,961,336 B1 2/2015 Parsons et al.
 D724,164 S 3/2015 Schweigert et al.
 8,979,671 B1 3/2015 Demille et al.
 D726,265 S 4/2015 Nicolette
 D726,848 S * 4/2015 Song D21/752
 D726,854 S * 4/2015 Song D21/759
 D729,892 S 5/2015 Nicolette et al.
 D733,234 S 6/2015 Nicolette
 9,199,140 B1 12/2015 Schweigert et al.
 9,199,143 B1 12/2015 Parsons et al.
 D746,927 S 1/2016 Parsons et al.
 D748,214 S 1/2016 Nicolette et al.
 D748,749 S 2/2016 Nicolette et al.
 D753,251 S 4/2016 Schweigert et al.
 D755,319 S 5/2016 Nicolette et al.
 D756,471 S 5/2016 Nicolette et al.
 9,352,197 B2 5/2016 Parsons et al.
 D759,178 S 6/2016 Nicolette
 D760,334 S 6/2016 Schweigert et al.
 9,399,158 B2 7/2016 Parsons et al.
 9,421,437 B2 8/2016 Parsons et al.
 9,427,634 B2 8/2016 Parsons et al.
 D767,696 S 9/2016 Parsons et al.
 D776,216 S 1/2017 Schweigert et al.
 D777,858 S 1/2017 Schweigert et al.
 9,555,295 B2 1/2017 Schweigert et al.
 9,630,070 B2 4/2017 Parsons et al.
 D802,069 S 11/2017 Parsons et al.
 D802,070 S 11/2017 Parsons et al.
 D807,976 S 1/2018 Parsons et al.
 D827,067 S 8/2018 Becktor et al.
 D827,745 S 9/2018 Schweigert et al.
 D839,372 S 1/2019 Kohno
 D850,551 S 6/2019 Parsons et al.
 D852,303 S * 6/2019 Parsons D21/752
 D852,304 S * 6/2019 Parsons D21/752
 D852,305 S * 6/2019 Parsons D21/752
 10,376,754 B2 * 8/2019 Parsons A63B 60/006
 D865,886 S * 11/2019 Parsons D21/752
 10,695,624 B2 * 6/2020 Parsons A63B 60/02
 10,722,765 B2 * 7/2020 Schweigert A63B 53/0466
 D897,462 S * 9/2020 Parsons D21/752
 D897,463 S * 9/2020 Parsons D21/752
 D897,464 S * 9/2020 Parsons D21/752
 2002/0107087 A1 8/2002 Fagot
 2003/0139226 A1 7/2003 Cheng et al.
 2003/0176231 A1 9/2003 Hasebe
 2004/0204263 A1 10/2004 Fagot et al.
 2005/0009632 A1 1/2005 Schweigert et al.
 2005/0014573 A1 1/2005 Lee

2005/0119066 A1 6/2005 Stites et al.
 2005/0239569 A1 10/2005 Best et al.
 2005/0277485 A1 12/2005 Hou et al.
 2006/0105856 A1 5/2006 Lo
 2006/0111200 A1 5/2006 Poynor
 2007/0032308 A1 2/2007 Fagot et al.
 2007/0225084 A1 9/2007 Schweigert et al.
 2007/0293344 A1 12/2007 Davis
 2008/0004133 A1 1/2008 Schweigert
 2008/0058113 A1 3/2008 Nicolette et al.
 2008/0188322 A1 8/2008 Anderson et al.
 2008/0300065 A1 12/2008 Schweigert
 2009/0029790 A1 1/2009 Nicolette et al.
 2009/0029795 A1 1/2009 Schweigert et al.
 2010/0130306 A1 5/2010 Schweigert
 2010/0144461 A1 6/2010 Ban
 2010/0178999 A1 7/2010 Nicolette et al.
 2011/0111883 A1 5/2011 Cackett
 2011/0143858 A1 6/2011 Peralta et al.
 2011/0165963 A1 7/2011 Cackett et al.
 2011/0269567 A1 11/2011 Ban et al.
 2011/0294596 A1 12/2011 Ban
 2012/0202615 A1 8/2012 Beach et al.
 2013/0137532 A1 5/2013 Deshmukh et al.
 2013/0225319 A1 8/2013 Kato
 2013/0281226 A1 10/2013 Ban
 2013/0288823 A1 10/2013 Hebreo
 2013/0303303 A1 11/2013 Ban
 2013/0303304 A1 11/2013 Sato
 2013/0310192 A1 11/2013 Wahl et al.
 2014/0080621 A1 3/2014 Nicolette et al.
 2014/0128175 A1 5/2014 Jertson et al.
 2014/0274441 A1 9/2014 Greer
 2014/0274451 A1 9/2014 Knight
 2015/0231454 A1 8/2015 Parsons et al.
 2015/0231806 A1 8/2015 Parsons et al.

OTHER PUBLICATIONS

International Search Report and Written Opinion Received in Connection With the Corresponding Application No. PCT/US2015/016666, dated May 14, 2015 (8 Pages).

International Search Report and Written Opinion Received in Connection With the Corresponding Application No. PCTUS2015042282, dated Oct. 13, 2015 (12 Pages).

Kozuchowski, Zak, "Callaway Mack Daddy 2 PM Grind Wedges" (<http://golfwrz.com/276203/callaway-mack-daddy-2-pm-grind-wedges/>), www.golfwrz.com, Golfwrz Holdings, LLC, Published Jan. 21, 2015.

U.S. Appl. No. 29/512,313, Nicolette, "Gold Club Head," filed Dec. 18, 2018.

Wall, Jonathan, "Details: Phil's Prototype Mack Daddy PM-Grind Wedge," (<http://www.pgatour.com/equipmentreport/2015/01/21/callaway-wedge.html>), www.pgatour.com, PGA Tour, Inc., Published Jan. 21, 2015.

* cited by examiner

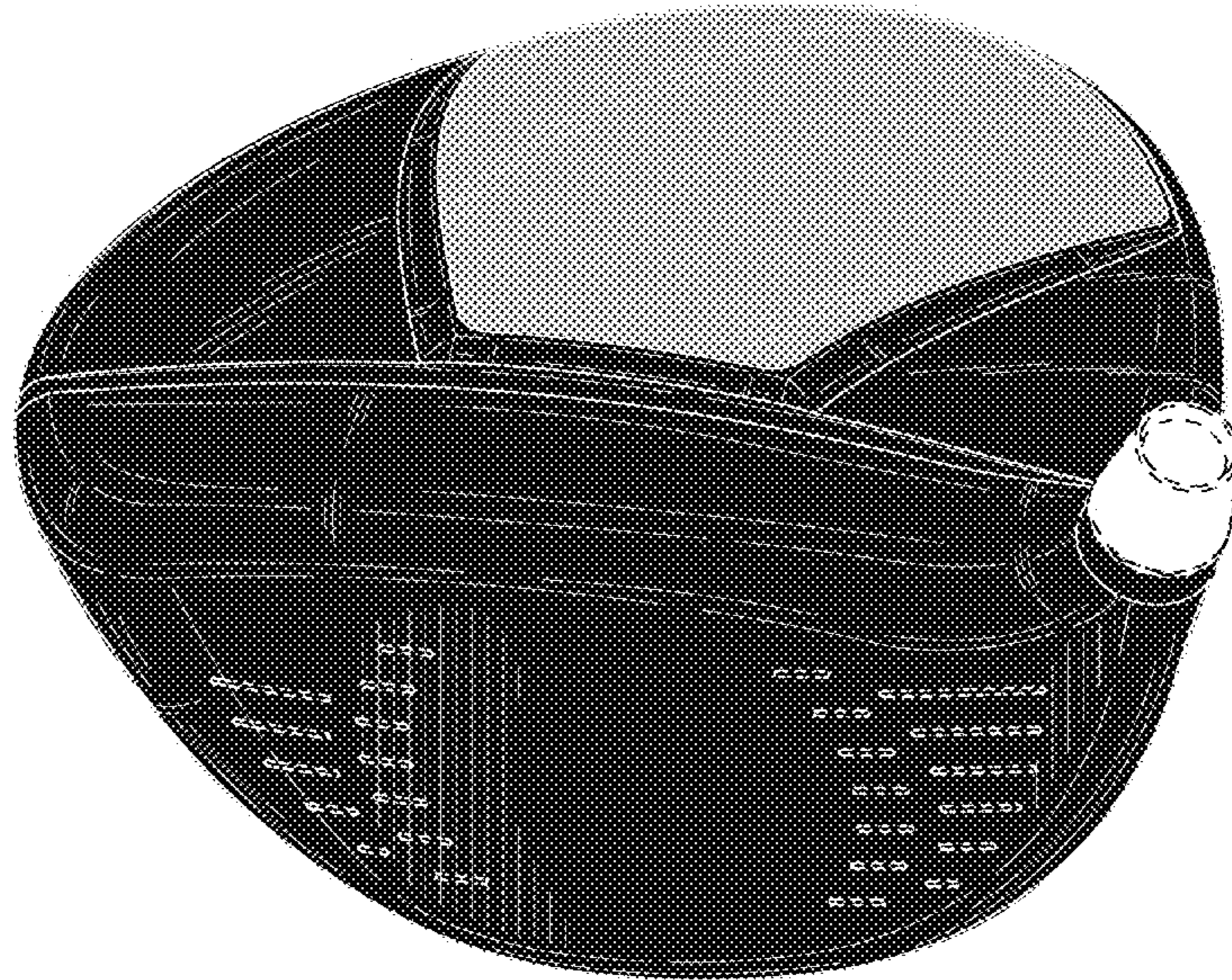


FIG. 1

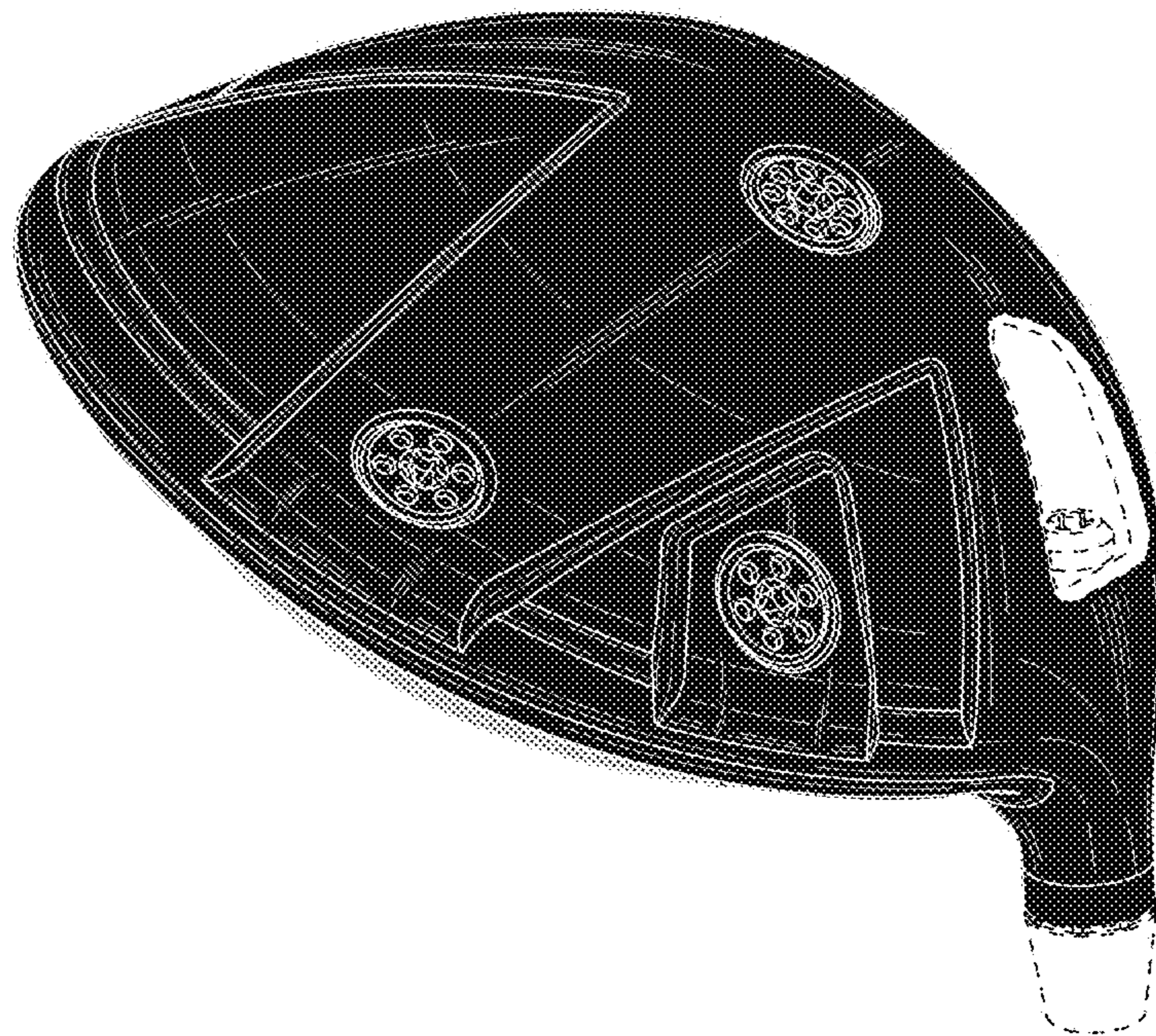


FIG. 2

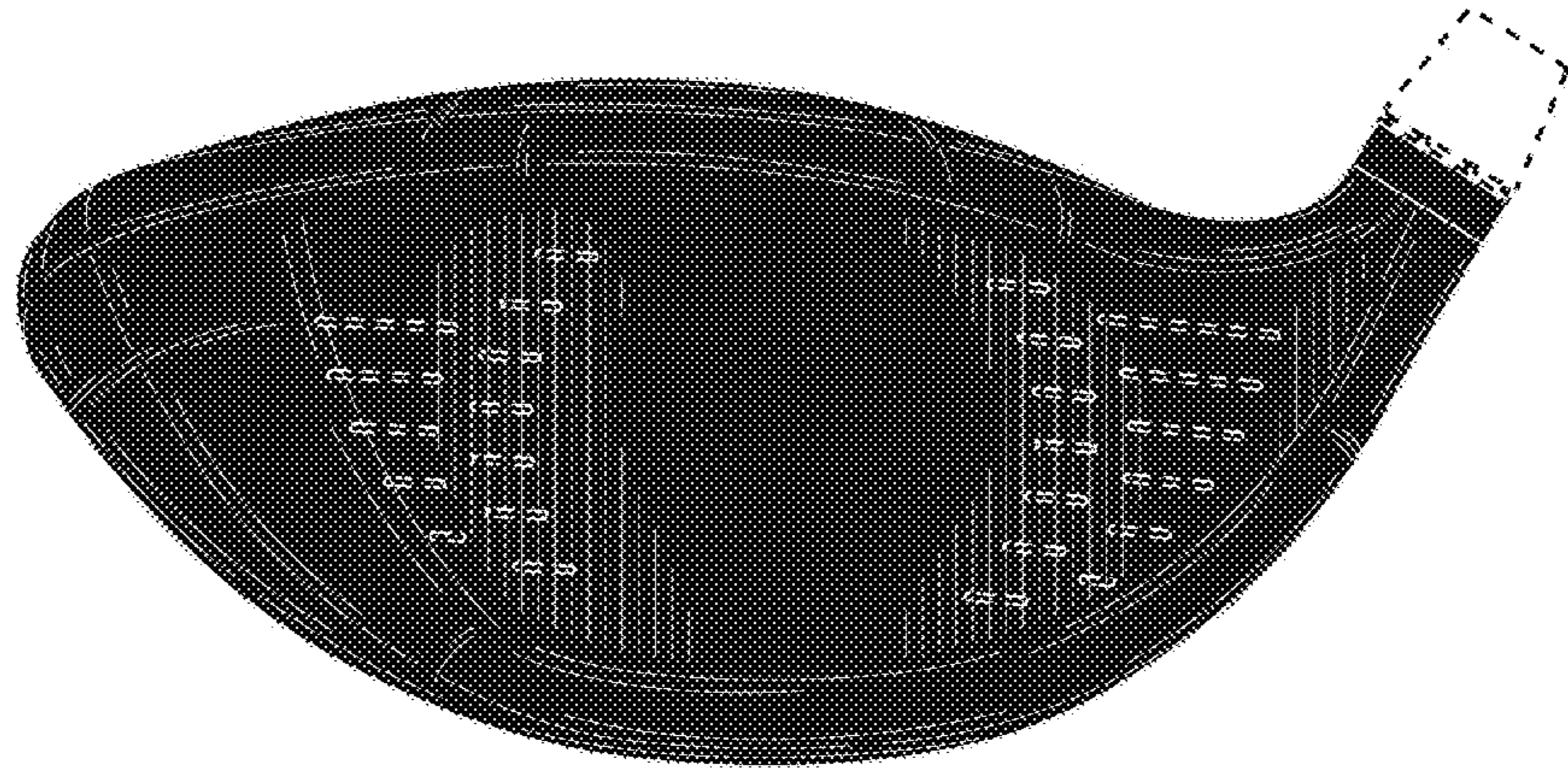


FIG. 3

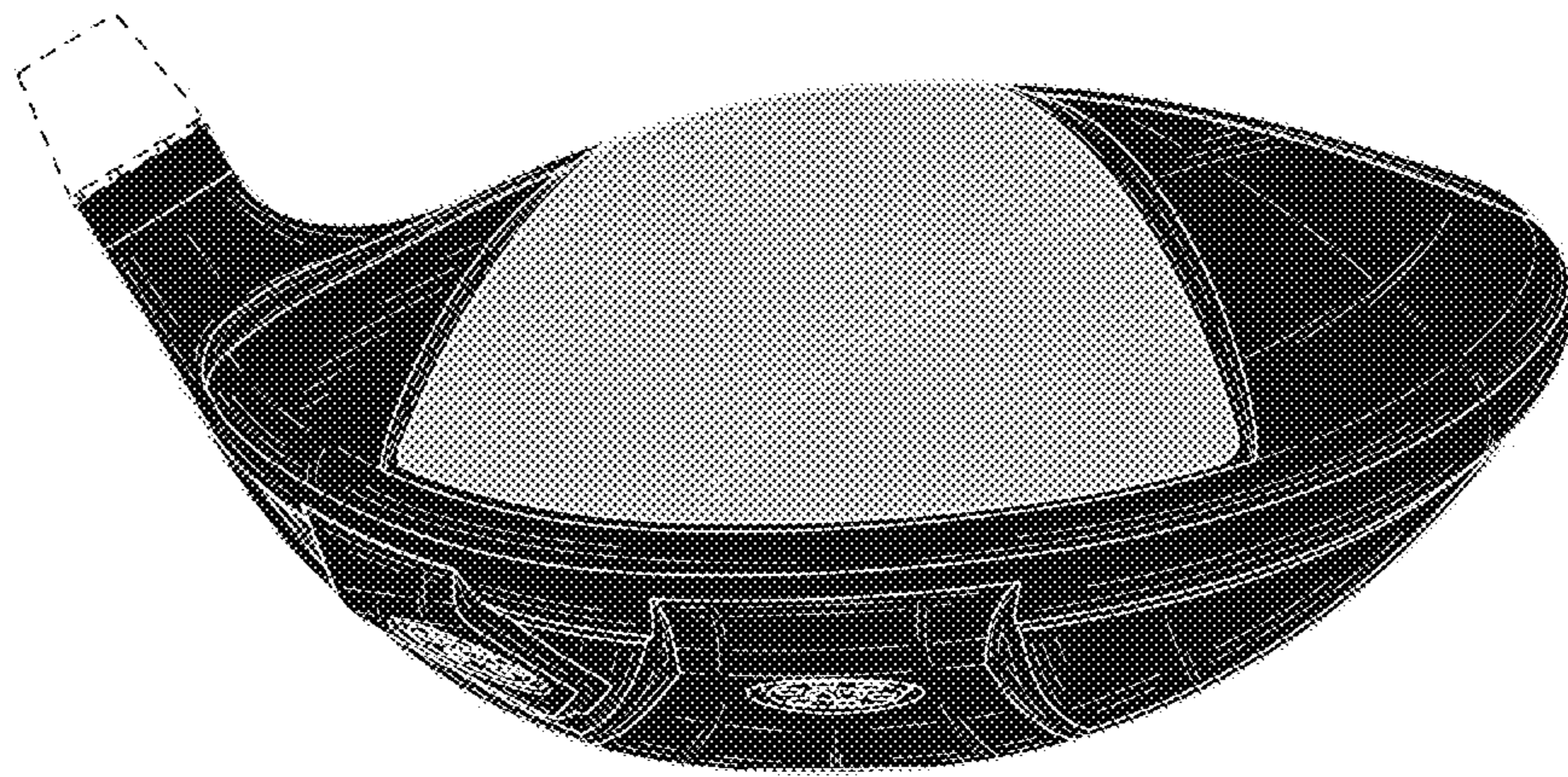


FIG. 4

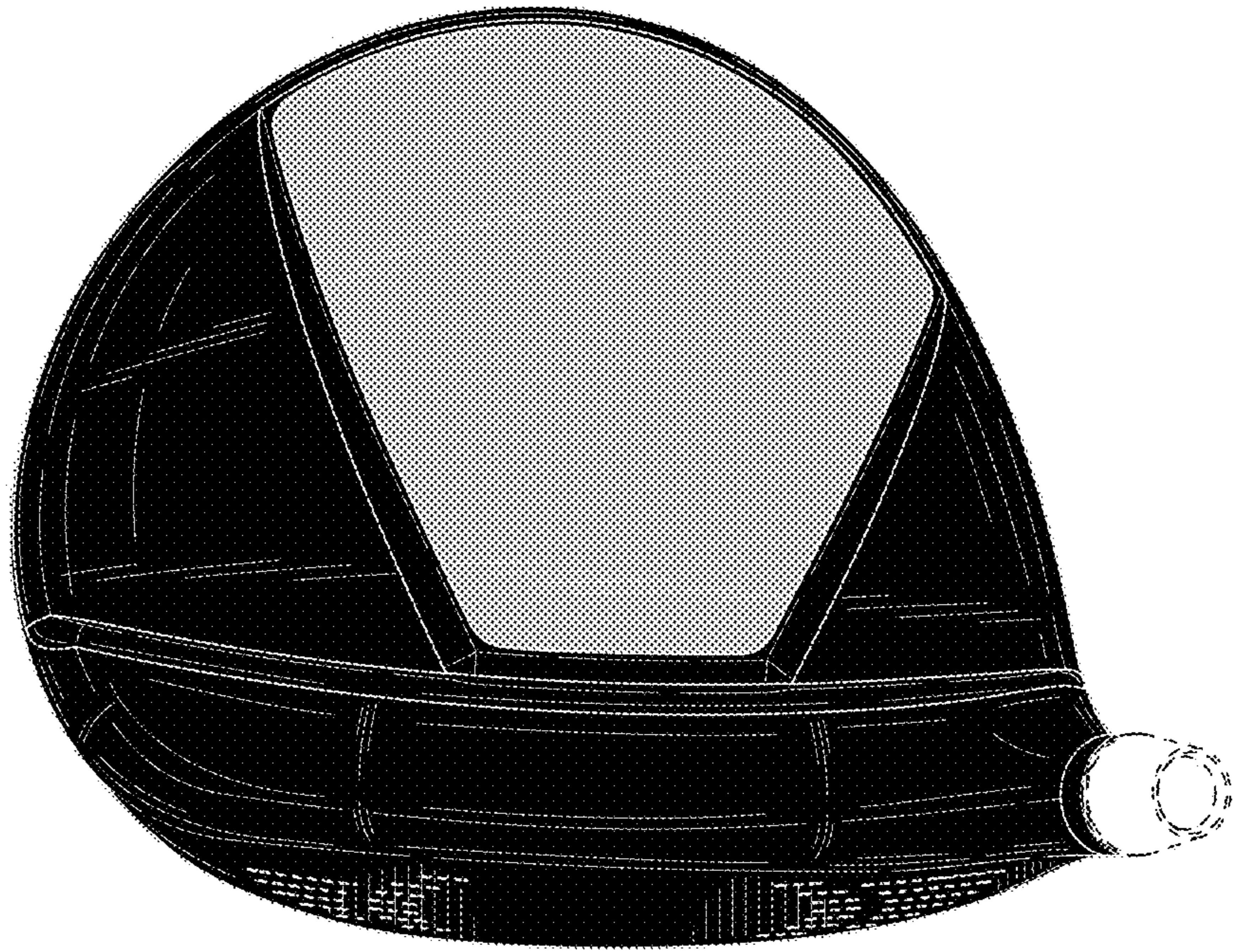


FIG. 5



FIG. 6

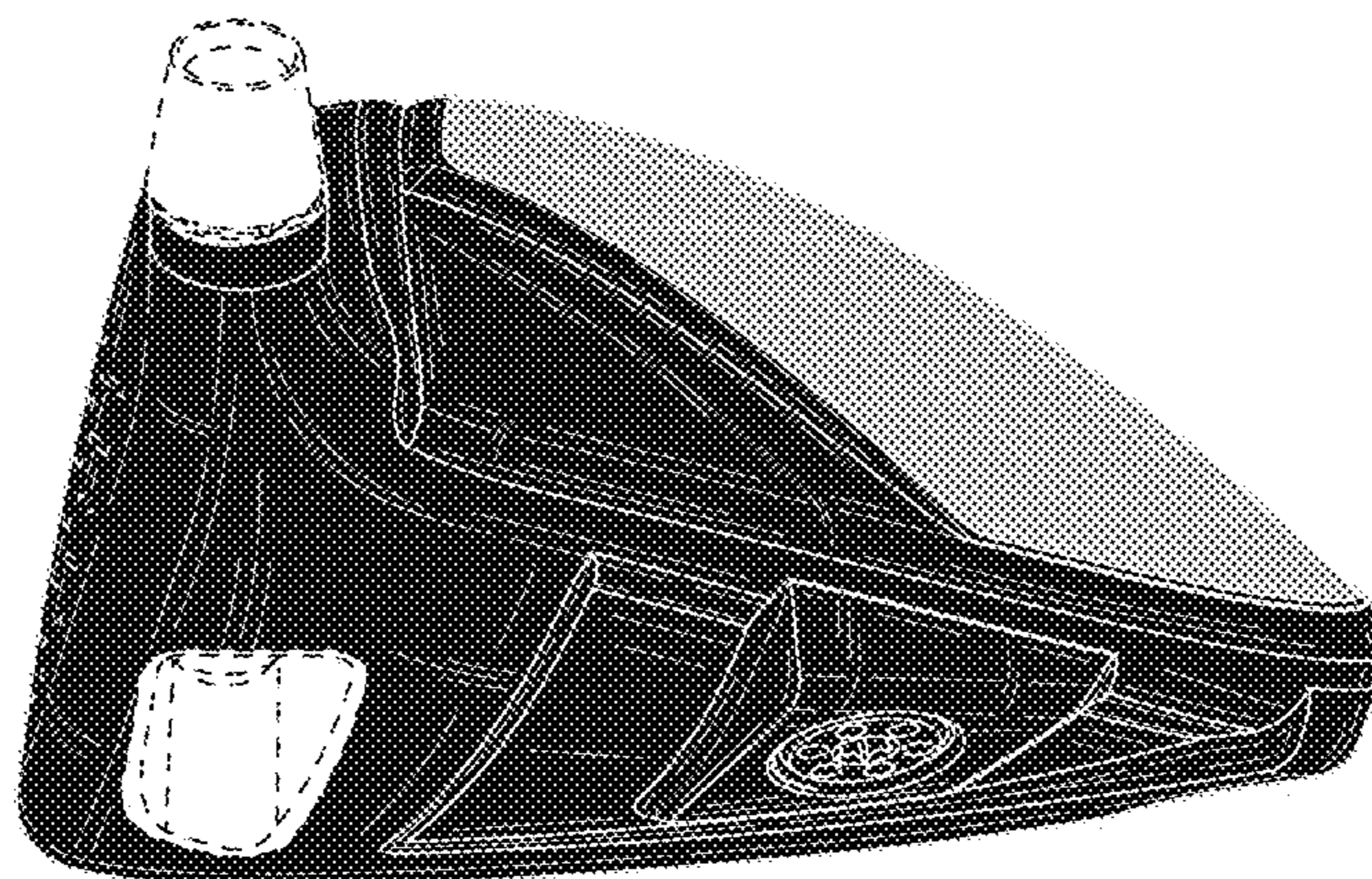


FIG. 7

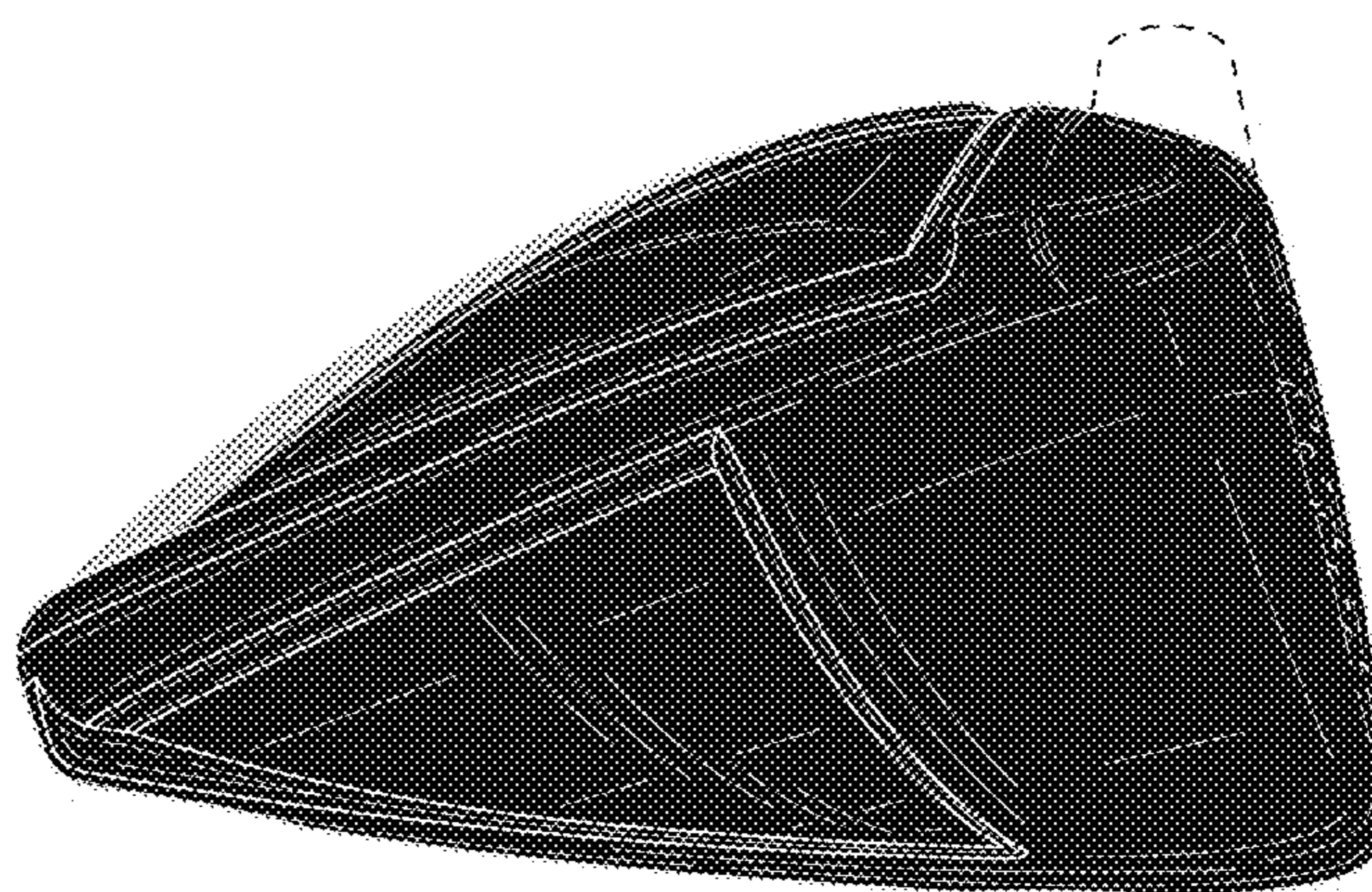


FIG. 8

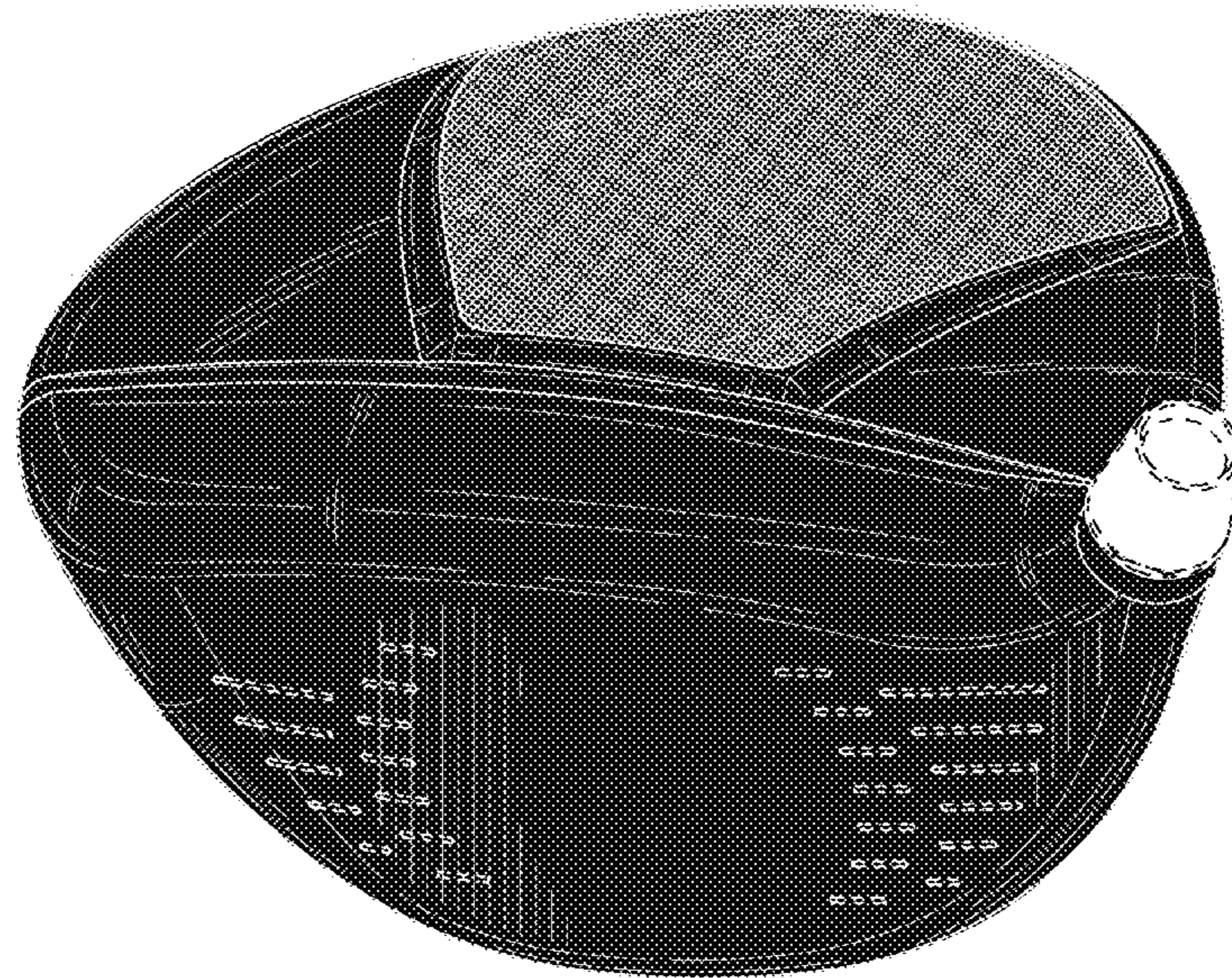


FIG. 9

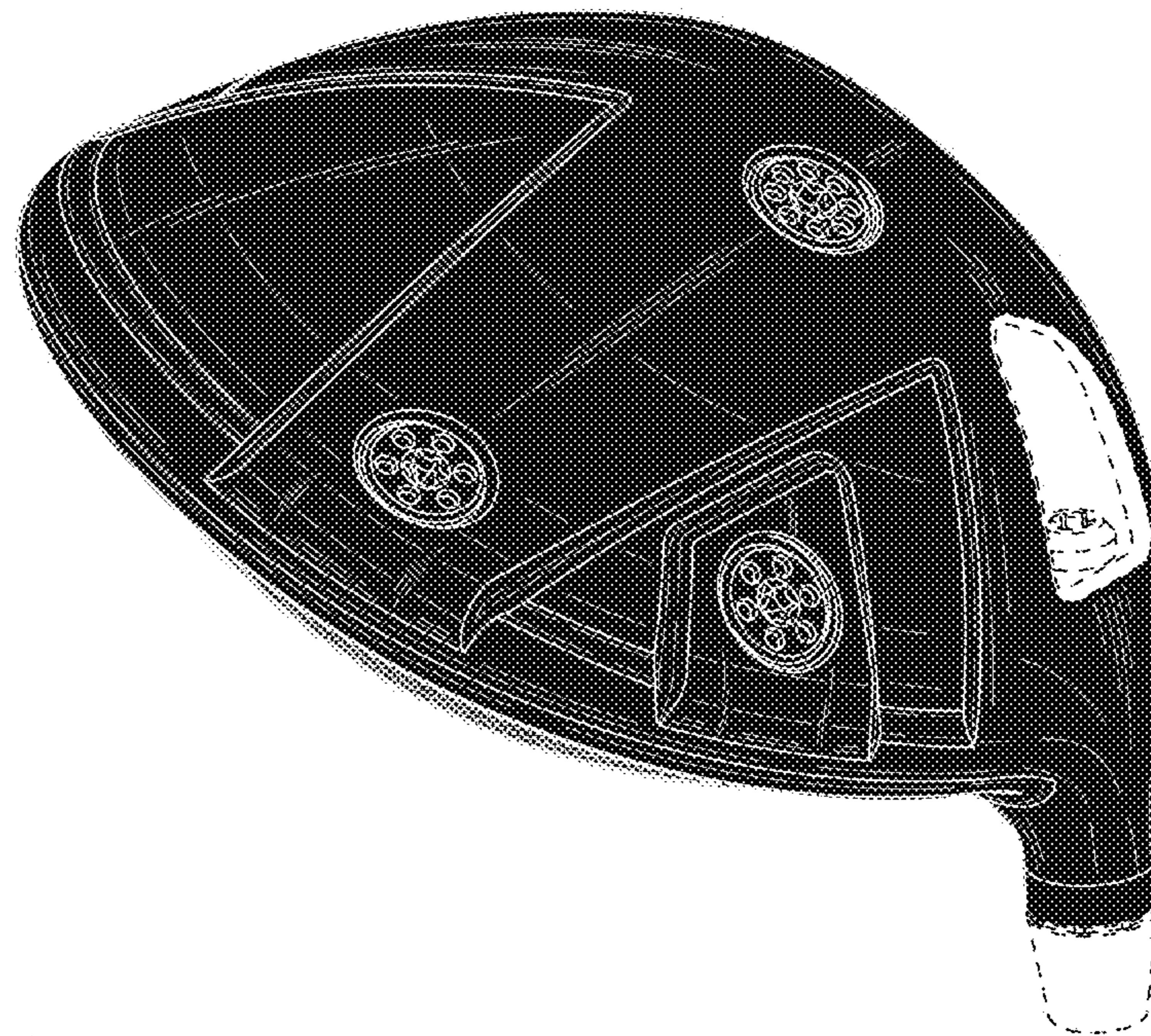


FIG. 10

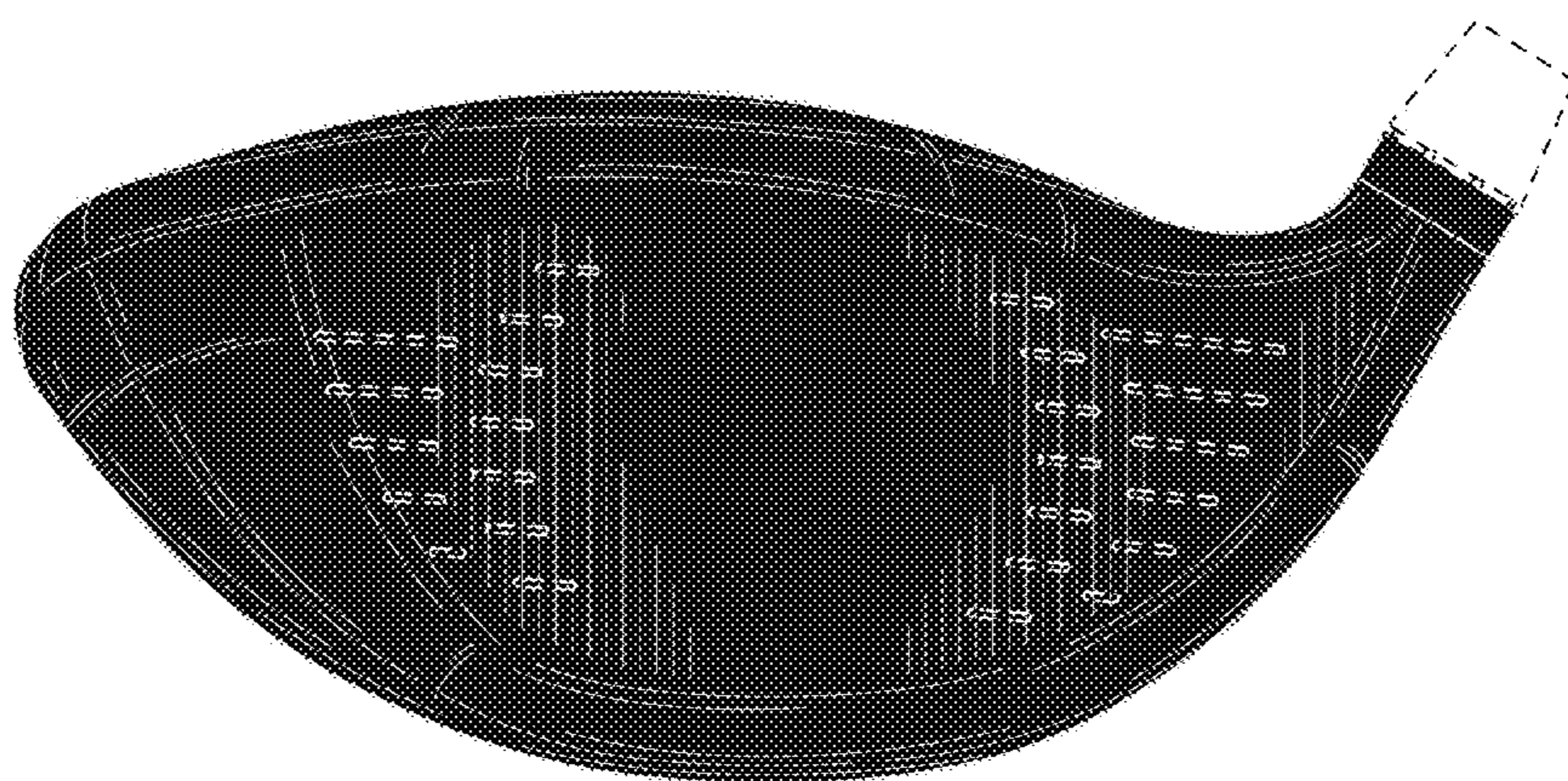


FIG. 11

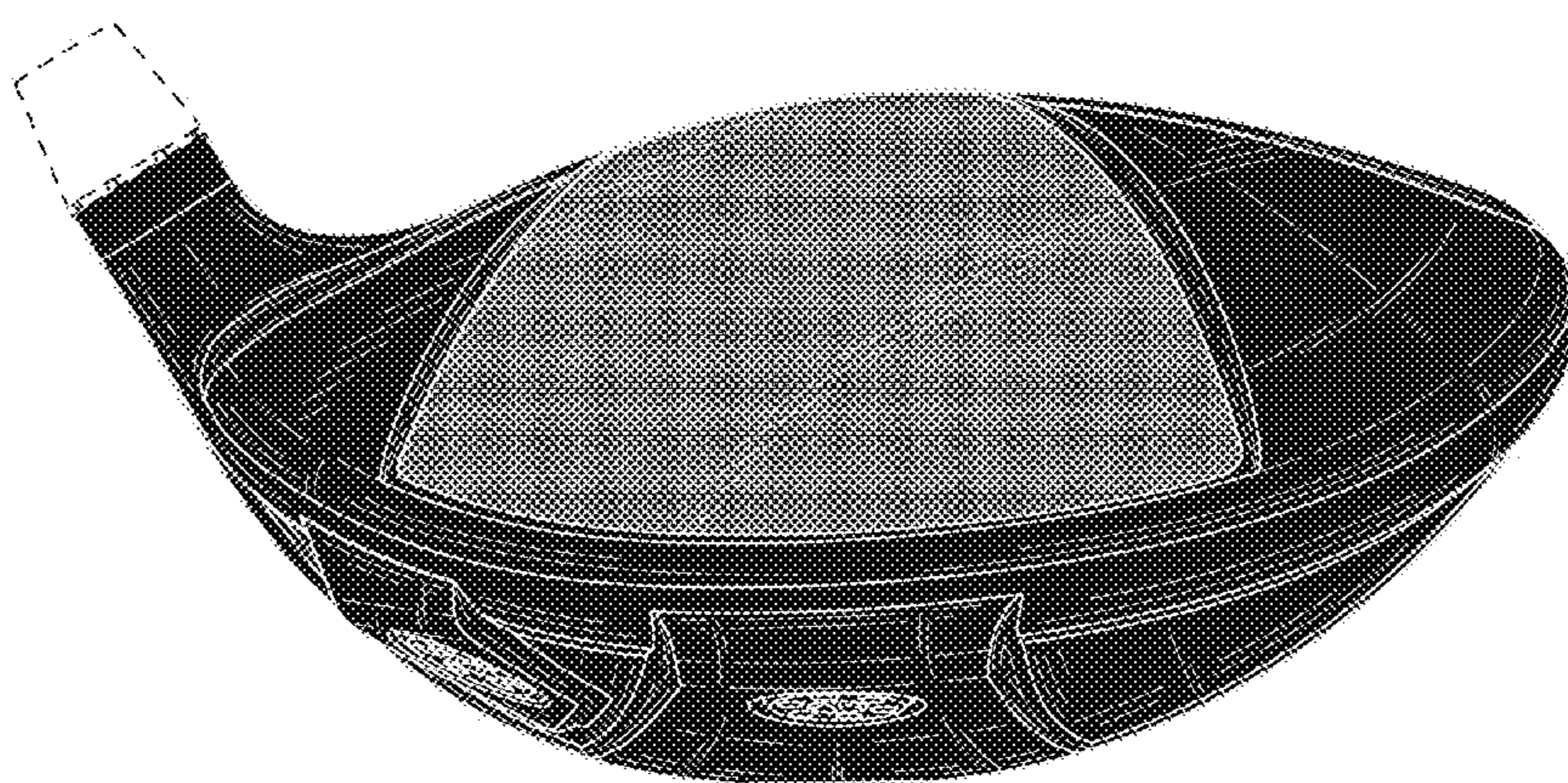


FIG. 12

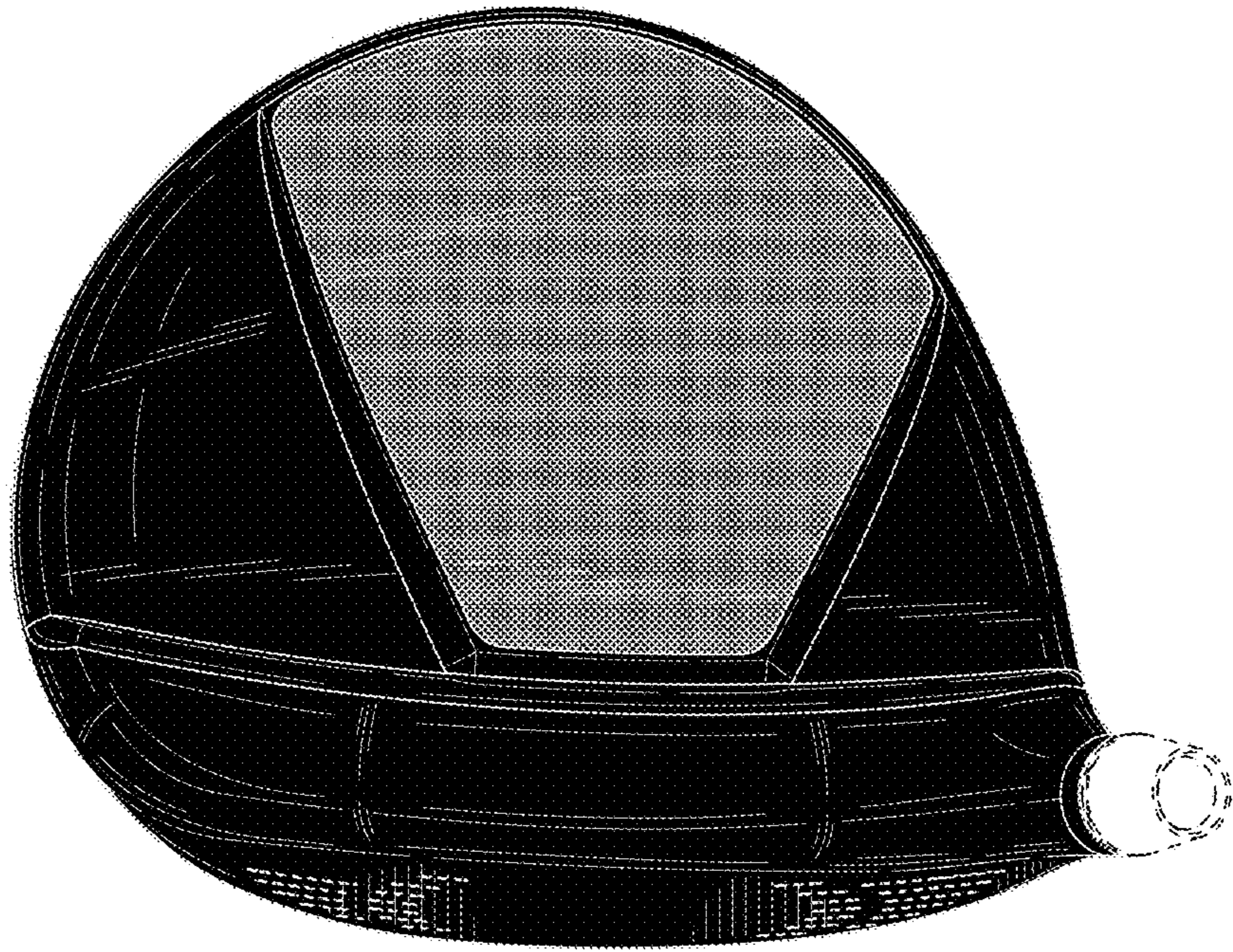


FIG. 13



FIG. 14

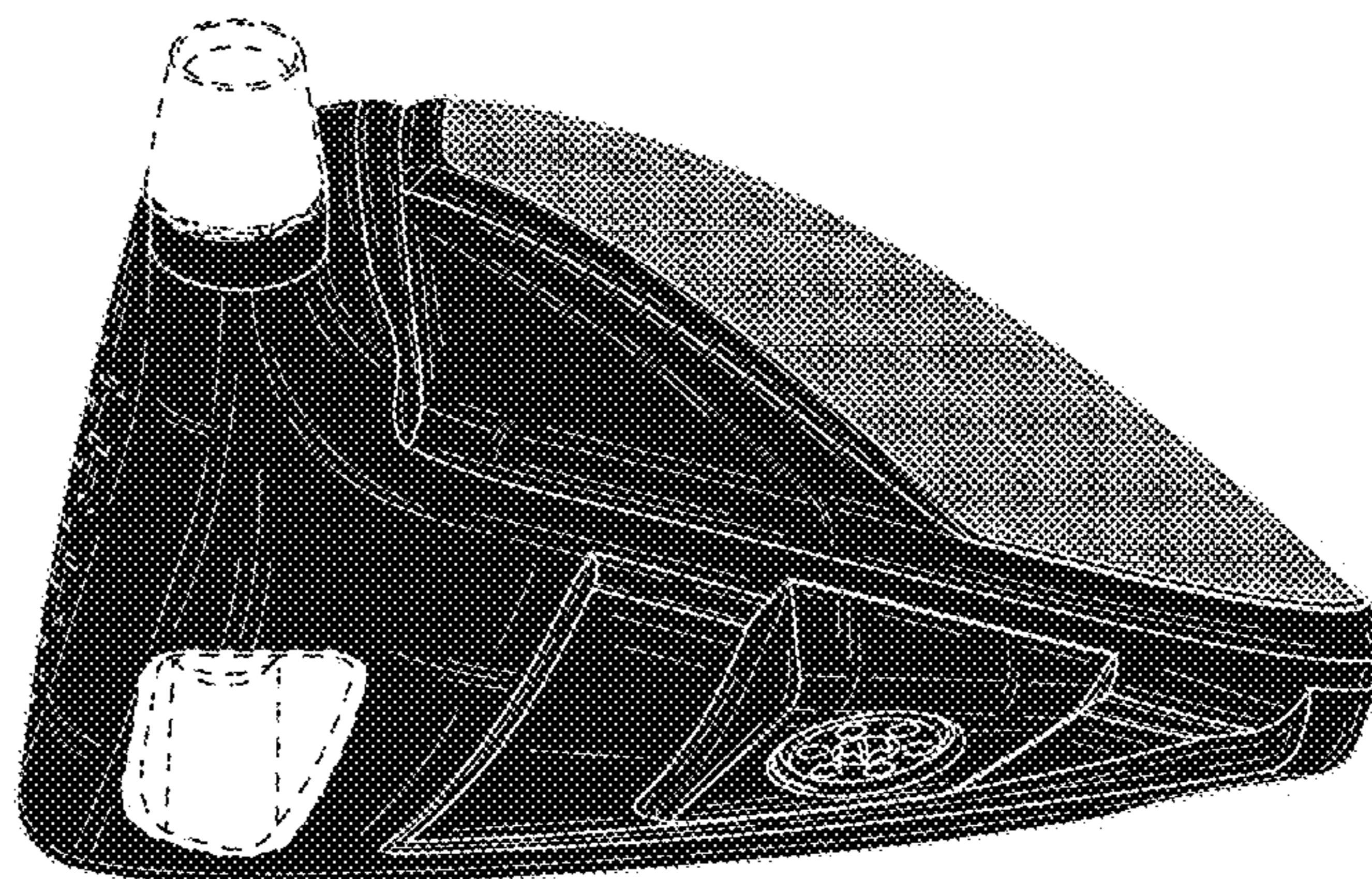


FIG. 15

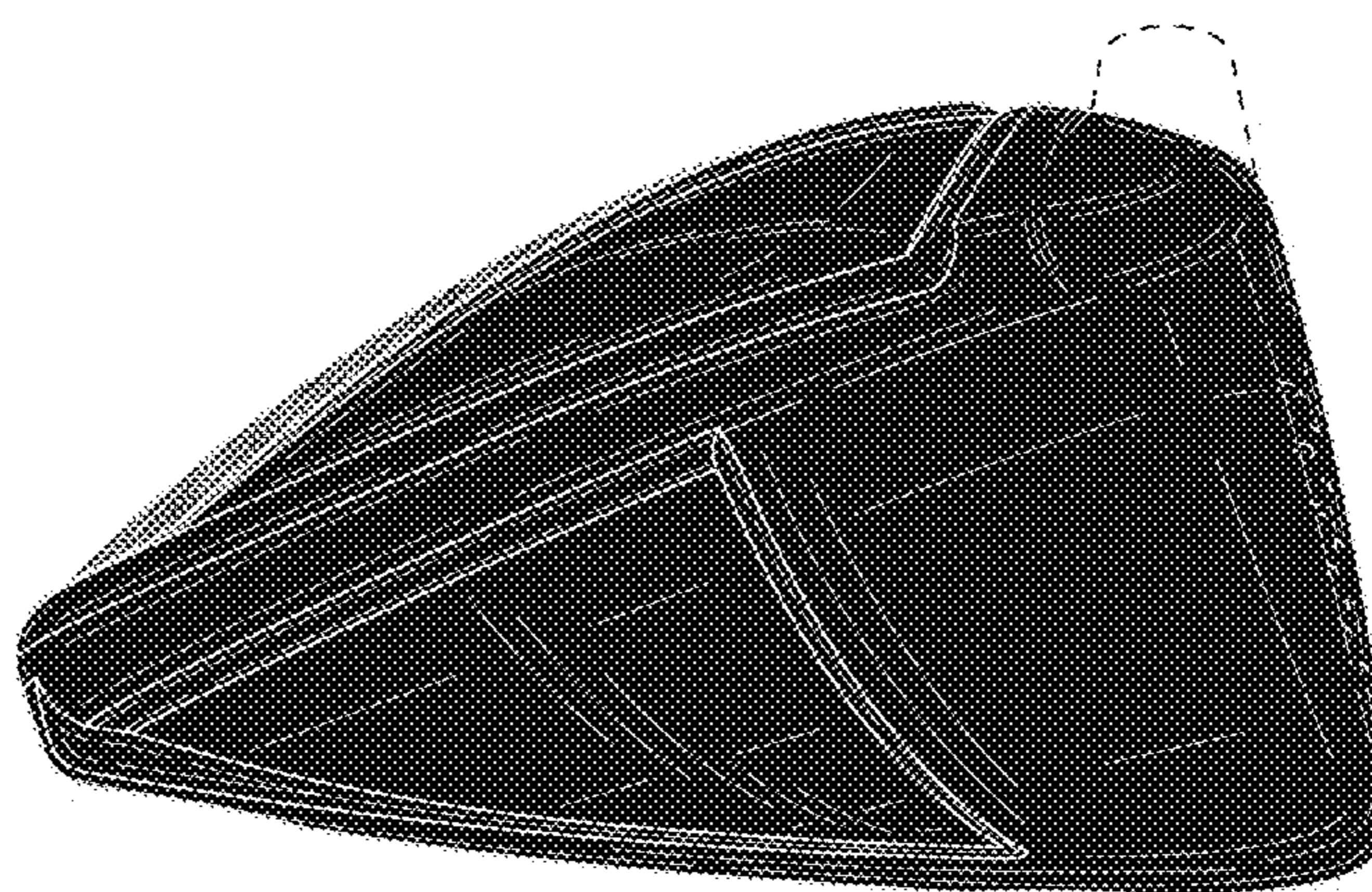


FIG. 16