



US00D923730S

(12) **United States Design Patent** (10) **Patent No.:** **US D923,730 S**
Serrano (45) **Date of Patent:** **** Jun. 29, 2021**

(54) **GOLF CLUB HEAD**
(71) Applicant: **KARSTEN MANUFACTURING CORPORATION**, Phoenix, AZ (US)
(72) Inventor: **Anthony D. Serrano**, Anthem, AZ (US)
(73) Assignee: **KARSTEN MANUFACTURING CORPORATION**, Phoenix, AZ (US)

D263,614 S 3/1982 Solheim
4,527,799 A 7/1985 Solheim
D283,039 S 3/1986 Solheim
4,834,387 A 5/1989 Waites et al.
D315,005 S 2/1991 Solheim
D316,129 S * 4/1991 Bryson D21/739
D320,251 S * 9/1991 Mermillod D21/739
D320,638 S * 10/1991 Mermillod D21/739

(Continued)

Primary Examiner — Mitchell I. Siegel

(**) Term: **15 Years**

(57) **CLAIM**

The ornamental design for a golf club head, as shown and described.

(21) Appl. No.: **29/705,712**

DESCRIPTION

(22) Filed: **Sep. 13, 2019**

(51) **LOC (13) Cl.** **21-02**

(52) **U.S. Cl.**
USPC **D21/743**

(58) **Field of Classification Search**
USPC D21/736–746, 759
CPC A63B 53/00; A63B 53/04; A63B 53/007;
A63B 53/065; A63B 53/0487; A63B
60/00; A63B 60/46
See application file for complete search history.

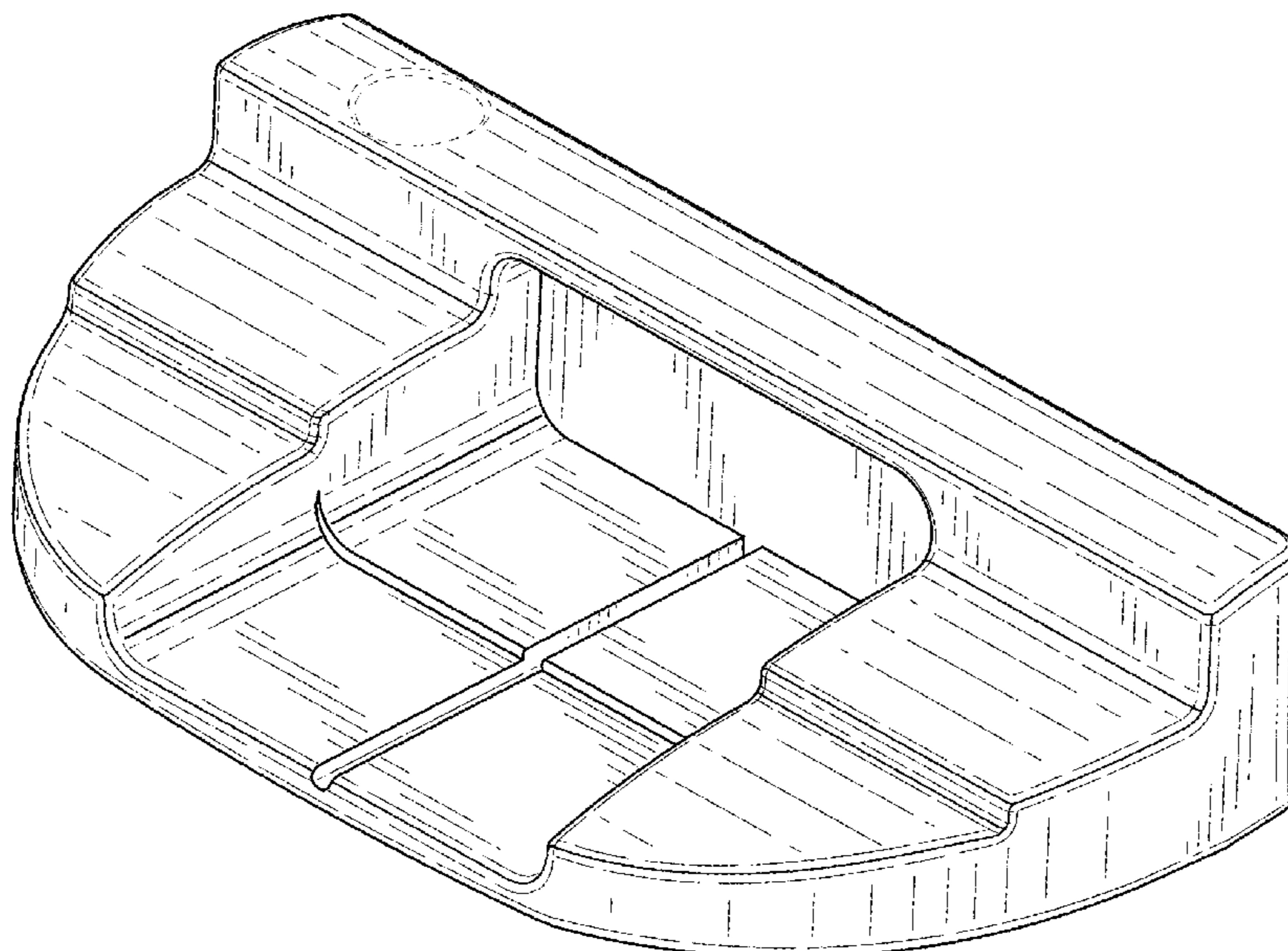
FIG. 1 is a top perspective view of a golf club head;
FIG. 2 is a bottom perspective view of the golf club head of FIG. 1;
FIG. 3 is a top view of the golf club head of FIG. 1;
FIG. 4 is a bottom view of the golf club head of FIG. 1;
FIG. 5 is a front view of the golf club head of FIG. 1;
FIG. 6 is a rear view of the golf club head of FIG. 1;
FIG. 7 is a heel side view of the golf club head of FIG. 1;
FIG. 8 is a toe side view of the golf club head of FIG. 1;
FIG. 9 is a top perspective view of another embodiment of a golf club head;
FIG. 10 is a bottom perspective view of the golf club head of FIG. 9;
FIG. 11 is a top view of the golf club head of FIG. 9;
FIG. 12 is a bottom view of the golf club head of FIG. 9;
FIG. 13 is a front view of the golf club head of FIG. 9;
FIG. 14 is a rear view of the golf club head of FIG. 9;
FIG. 15 is a heel side view of the golf club head of FIG. 9;
and,
FIG. 16 is a toe side view of the golf club head of FIG. 9.
The broken lines shown on the drawing figures form no part of the claimed design.

(56) **References Cited**

U.S. PATENT DOCUMENTS

D196,734 S 10/1963 Solheim
D202,715 S 11/1965 Solheim
D203,512 S 1/1966 Solheim
D207,227 S 3/1967 Solheim
D207,228 S 3/1967 Solheim
D209,761 S 1/1968 Solheim
D213,509 S 3/1969 Solheim
D218,178 S 7/1970 Solheim
D231,375 S 4/1974 Solheim
D235,668 S 7/1975 Swash
D239,778 S 5/1976 Solheim
3,954,265 A 5/1976 Taylor
D255,373 S 6/1980 Solheim

1 Claim, 12 Drawing Sheets



(56)

References Cited

U.S. PATENT DOCUMENTS

D324,555 S	3/1992	Evans	D532,845 S	11/2006	Rollinson
D333,331 S	2/1993	Evans	D532,846 S	11/2006	Lee et al.
5,211,401 A	5/1993	Hainey	D533,243 S	12/2006	Fife et al.
5,226,654 A	7/1993	Solheim	D533,609 S	12/2006	Moore et al.
D341,405 S	11/1993	Solheim	7,147,569 B2	12/2006	Tang et al.
D342,112 S	12/1993	Diesterheft	D534,974 S	1/2007	Haack
5,324,031 A	6/1994	Green	D536,400 S	2/2007	DiBattista
D356,615 S	3/1995	Solheim	D537,135 S	2/2007	Rollinson
D356,844 S	3/1995	Solheim et al.	D539,860 S	4/2007	Fussell
D356,846 S	3/1995	Murrill	D542,873 S	5/2007	Oldknow
D357,291 S	4/1995	Solheim	D545,385 S	6/2007	Tang et al.
5,482,281 A	1/1996	Anderson	D547,403 S	7/2007	Serrano et al.
D375,768 S	11/1996	Solheim	D547,404 S	7/2007	Serrano et al.
D379,484 S	5/1997	Solheim	D547,405 S	7/2007	Serrano et al.
D380,246 S	6/1997	Solheim et al.	D548,295 S	8/2007	Jertson et al.
D399,911 S	10/1998	Nicolette et al.	D552,197 S	10/2007	Wells et al.
D400,610 S	11/1998	Cameron et al.	D557,361 S	12/2007	Rollinson
D402,343 S	12/1998	Helmstetter et al.	D564,606 S	3/2008	Oldknow et al.
D405,836 S	2/1999	Nicolette et al.	D564,607 S	3/2008	Oldknow et al.
D405,856 S	2/1999	Tang et al.	D565,138 S	3/2008	Wilson
D407,445 S	3/1999	Rollinson et al.	D569,461 S	5/2008	Morris
D410,267 S	5/1999	Solheim	D569,462 S	5/2008	Rollinson
D411,271 S	6/1999	Nelson	D571,877 S	6/2008	Jones et al.
D428,086 S	7/2000	Solheim	D571,878 S	6/2008	Jones et al.
D441,820 S	5/2001	Nicolette et al.	D571,879 S	6/2008	Jones et al.
D443,905 S	6/2001	Nicolette et al.	7,390,267 B2	6/2008	Grace
D444,833 S	7/2001	Wells et al.	D573,673 S	7/2008	Noyes
D449,085 S *	10/2001	Breier D21/744	D574,907 S	8/2008	Jones et al.
D450,799 S	11/2001	Nicolette et al.	D574,908 S	8/2008	Hettinger et al.
D451,973 S	12/2001	Wells et al.	D574,909 S	8/2008	Jones et al.
D454,169 S	3/2002	Solheim	D574,910 S	8/2008	Jones et al.
D464,099 S	10/2002	Cole	D574,911 S	8/2008	Jones et al.
D467,291 S	12/2002	Ngon	D574,912 S	8/2008	Jones et al.
D472,949 S	4/2003	Serrano	D575,366 S	8/2008	Rollinson
D474,821 S	5/2003	Wells et al.	D577,085 S	9/2008	Nicolette et al.
D477,041 S	7/2003	Cameron	D577,086 S	9/2008	Nicolette et al.
6,634,956 B1	10/2003	Pegg	D577,398 S	9/2008	Hilton
D483,086 S	12/2003	Schweigert et al.	D579,505 S	10/2008	Jones
D485,592 S	1/2004	Hettinger	D579,506 S	10/2008	Nicolette et al.
D488,200 S	4/2004	Olsavsky et al.	D579,995 S	11/2008	Nicolette et al.
D494,237 S	8/2004	Ware	7,455,599 B2	11/2008	Jones
D498,276 S	11/2004	Schweigert	D582,497 S	12/2008	Rollinson
D499,778 S	12/2004	Cameron	D583,886 S *	12/2008	Cameron D21/743
D500,109 S	12/2004	Solheim et al.	D585,510 S	1/2009	Murrieta
D500,110 S	12/2004	Solheim et al.	7,473,189 B2	1/2009	Schweigert et al.
D500,539 S	1/2005	Holloway	7,481,713 B2	1/2009	Beckman
D502,234 S	2/2005	Grace	D587,325 S	2/2009	Solheim et al.
D502,748 S	3/2005	Burrows	D588,657 S *	3/2009	Hettinger D21/744
D505,702 S	5/2005	Wood	D590,035 S	4/2009	Hilton
D506,795 S	6/2005	Petersen	D590,461 S	4/2009	Kim et al.
D506,796 S	6/2005	Li	D591,371 S	4/2009	Hilton
D507,613 S	7/2005	Baiocchi	D591,372 S	4/2009	Tang et al.
D508,273 S	8/2005	Garner et al.	D591,806 S	5/2009	Cameron
D510,394 S	10/2005	Tang et al.	D591,807 S	5/2009	Rollinson
D511,802 S	11/2005	Cameron	D592,717 S	5/2009	Rollinson
6,960,140 B2	11/2005	Solheim et al.	D594,073 S	6/2009	Kadoya
6,966,845 B2	11/2005	Solheim et al.	D594,517 S	6/2009	Tang et al.
D514,181 S	1/2006	Cameron	D594,917 S	6/2009	Stellander
D514,182 S	1/2006	Olsavsky et al.	D595,372 S	6/2009	Rollinson
D515,646 S	2/2006	Perry	D595,373 S	6/2009	Kim et al.
D517,143 S	3/2006	Petsel et al.	D596,685 S	7/2009	Wallans
D518,127 S	3/2006	Tang et al.	D599,423 S	9/2009	Serrano et al.
D520,583 S	5/2006	Rollinson et al.	D599,424 S	9/2009	Serrano et al.
D521,582 S	5/2006	Souza et al.	D599,425 S	9/2009	Laub
7,052,411 B2	5/2006	Solheim et al.	D599,868 S	9/2009	Serrano et al.
D522,598 S	6/2006	Solheim et al.	D599,869 S	9/2009	Serrano et al.
D524,887 S	7/2006	Jones et al.	D599,870 S	9/2009	Serrano et al.
D525,327 S	7/2006	Jones et al.	D600,760 S	9/2009	Serrano et al.
D525,328 S	7/2006	Solheim et al.	D600,761 S	9/2009	Solheim et al.
D525,329 S	7/2006	Jones et al.	D600,762 S	9/2009	Serrano et al.
7,077,758 B2	7/2006	Rohrer	D601,214 S	9/2009	Serrano et al.
D527,777 S	9/2006	Solheim et al.	D603,008 S	10/2009	Donahue
D529,560 S	10/2006	Madore	7,601,076 B2	10/2009	Rollinson
D532,842 S	11/2006	Jones et al.	D604,782 S	11/2009	Franklin
D532,843 S	11/2006	Jones et al.	D606,139 S	12/2009	Ines et al.
			7,645,199 B2	1/2010	Cameron
			D621,458 S	8/2010	Serrano et al.
			D621,459 S	8/2010	Serrano et al.
			D621,460 S	8/2010	Serrano et al.

(56)

References Cited

U.S. PATENT DOCUMENTS

D621,461 S 8/2010 Serrano et al.
 D621,462 S 8/2010 Serrano et al.
 D621,891 S 8/2010 Serrano et al.
 D623,709 S 9/2010 Serrano et al.
 7,803,066 B2 9/2010 Solheim et al.
 D624,978 S 10/2010 Rollinson
 D635,625 S 4/2011 Rollinson
 D641,057 S * 7/2011 Rollinson D21/744
 D641,440 S 7/2011 Hettinger
 D641,442 S * 7/2011 Rollinson D21/744
 D643,894 S * 8/2011 Price D21/744
 D645,923 S * 9/2011 Price D21/736
 D650,455 S 12/2011 Serrano et al.
 D650,457 S * 12/2011 Rollinson D21/743
 D650,458 S * 12/2011 Rollinson D21/744
 D652,092 S * 1/2012 Rollinson D21/743
 D688,762 S * 8/2013 Hilton D21/736
 D690,378 S * 9/2013 Rollinson D21/743
 D691,226 S 10/2013 Hilton et al.
 D704,781 S * 5/2014 Pak D21/736

D733,233 S * 6/2015 Dolezel D21/742
 D741,966 S * 10/2015 Davis D21/736
 D777,268 S * 1/2017 Becktor D21/742
 D792,536 S * 7/2017 Wang D21/743
 D826,353 S * 8/2018 Cameron D21/736
 D835,218 S * 12/2018 Rollinson D21/743
 D845,411 S * 4/2019 Cameron D21/742
 D847,923 S * 5/2019 Wang D21/736
 D875,195 S * 2/2020 Serrano D21/743
 D895,747 S * 9/2020 Rollinson D21/743
 2003/0228925 A1 12/2003 Rohrer
 2007/0021229 A1 1/2007 Haack
 2007/0049402 A1 3/2007 Sanchez et al.
 2007/0298904 A1 12/2007 Dworzan
 2009/0029800 A1 1/2009 Jones et al.
 2009/0105008 A1 4/2009 Kuan et al.
 2009/0170629 A1 7/2009 Hilton
 2009/0270196 A1 10/2009 Solheim et al.
 2009/0305806 A1 12/2009 Campadore et al.
 2009/0305807 A1 12/2009 Solheim et al.
 2015/0080148 A1 * 3/2015 Cameron A63B 53/007
 473/340

* cited by examiner

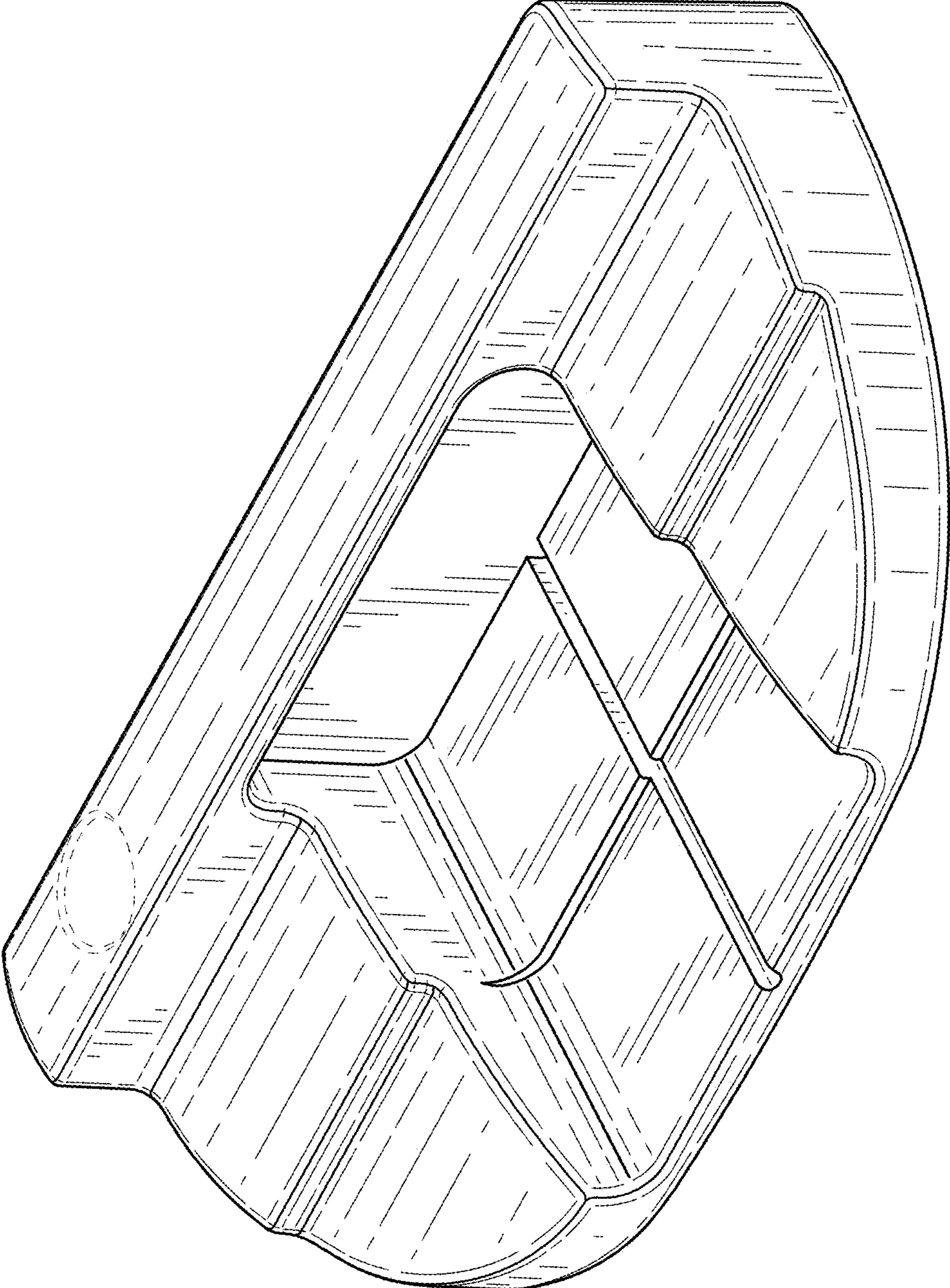


FIG. 1

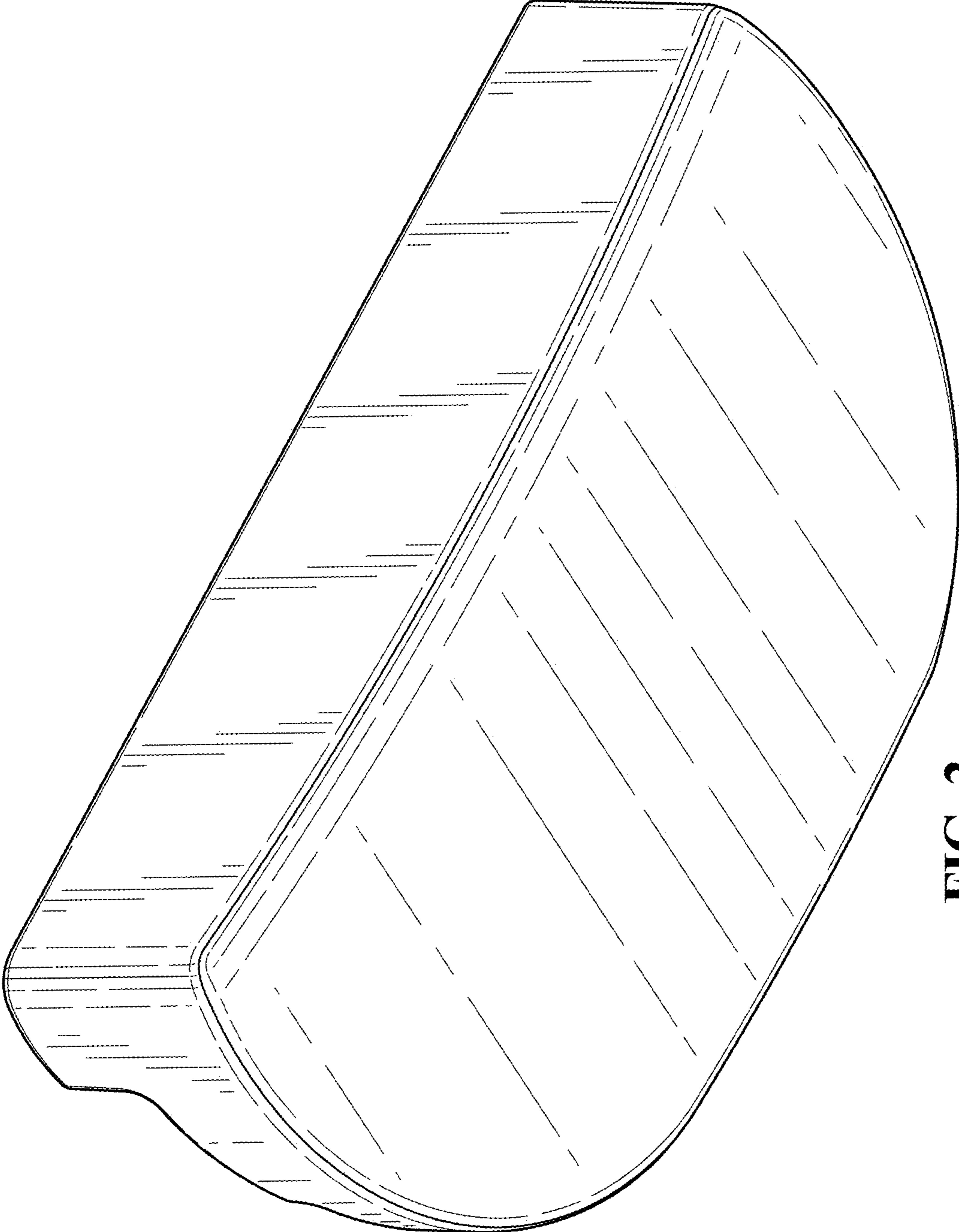


FIG. 2

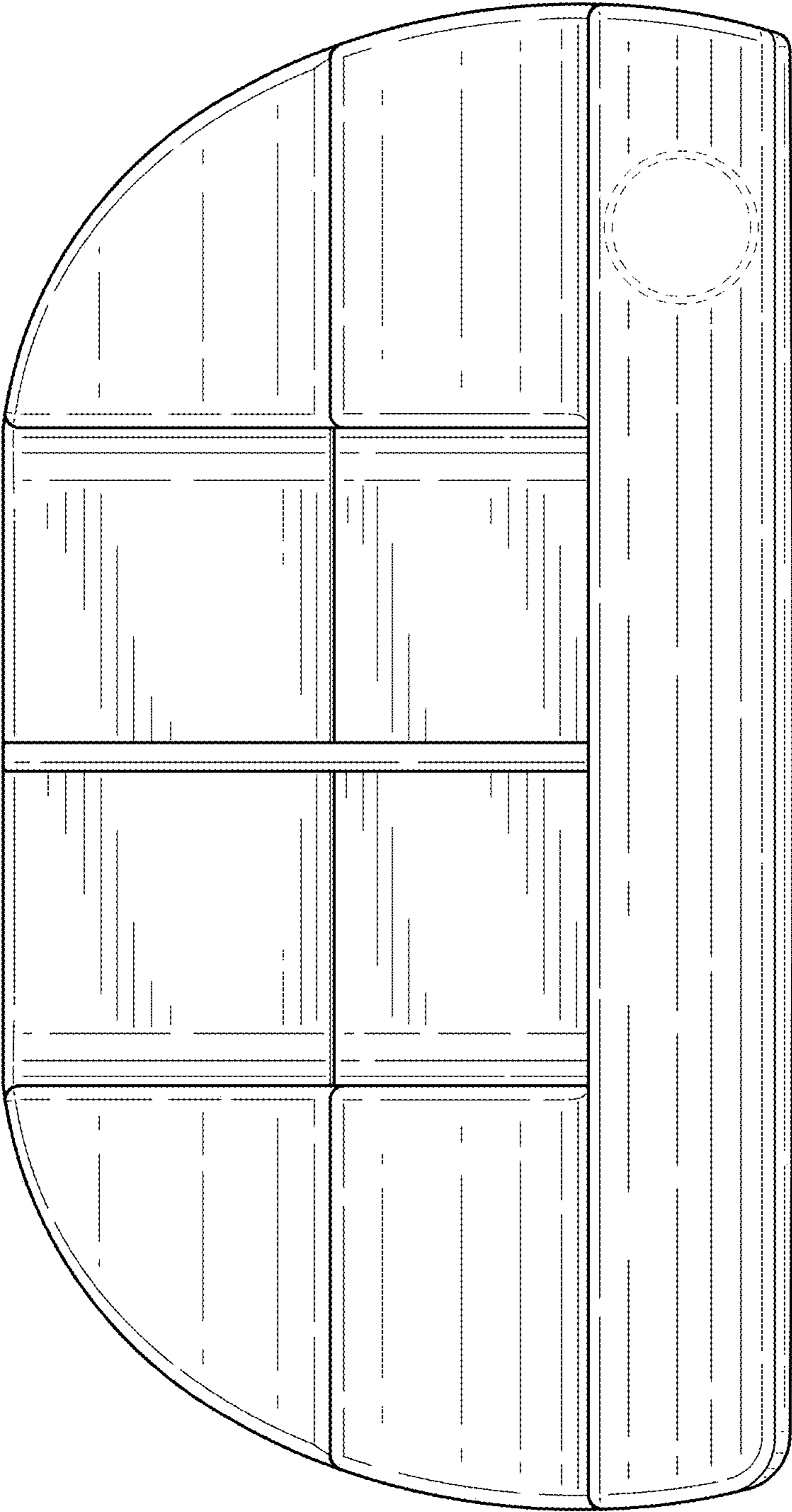


FIG. 3

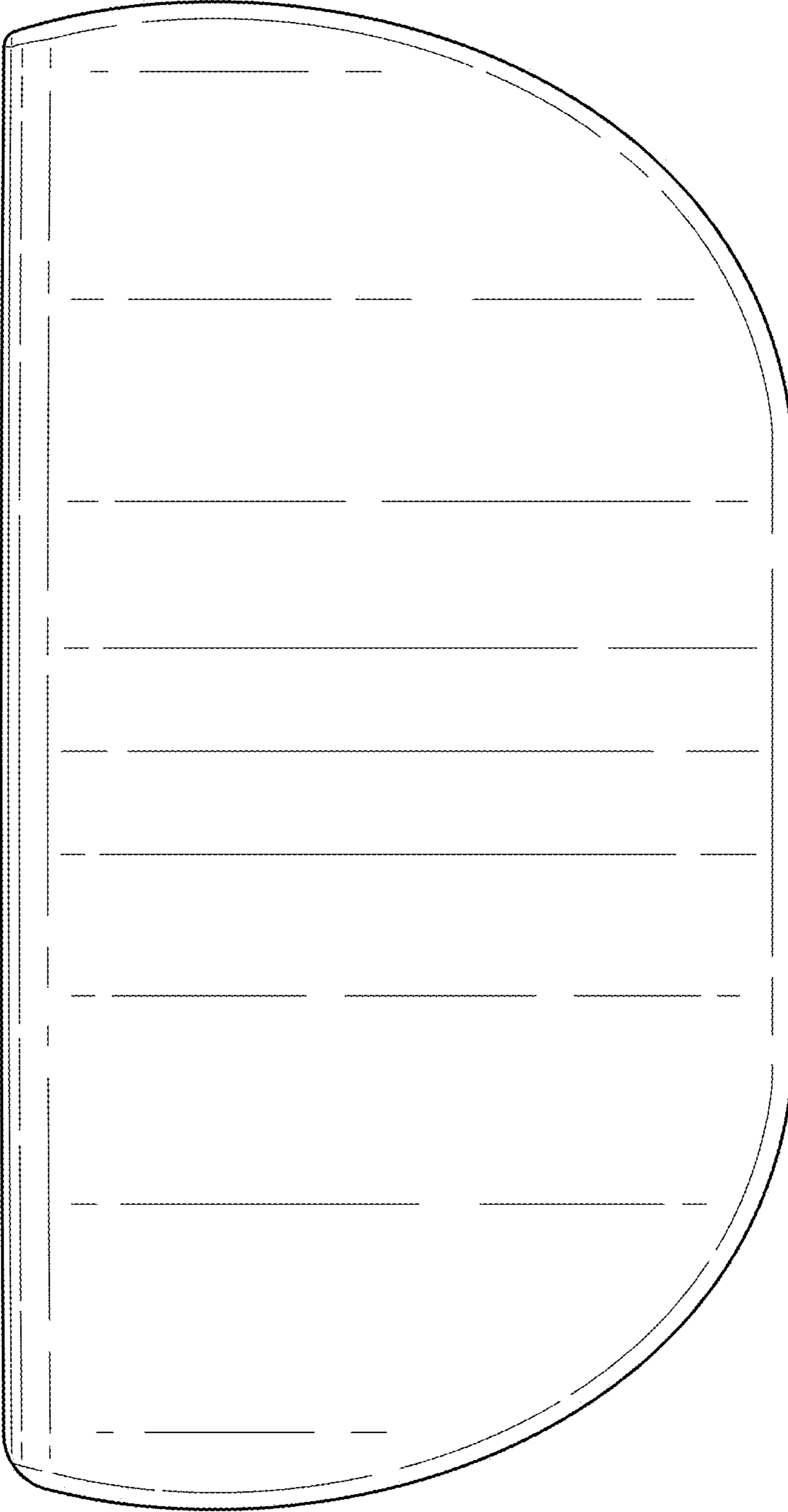


FIG. 4

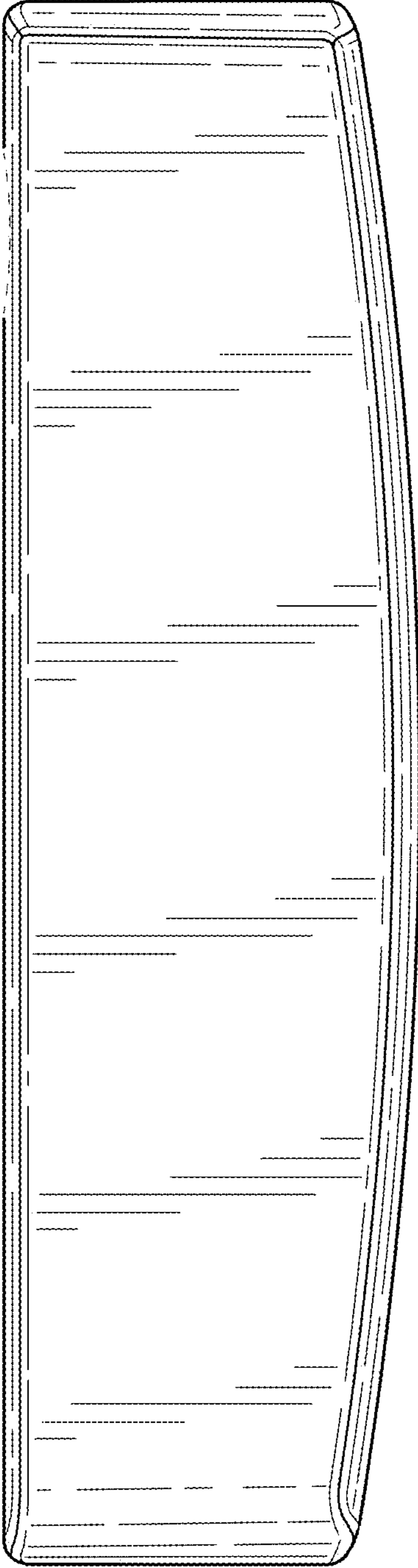


FIG. 5

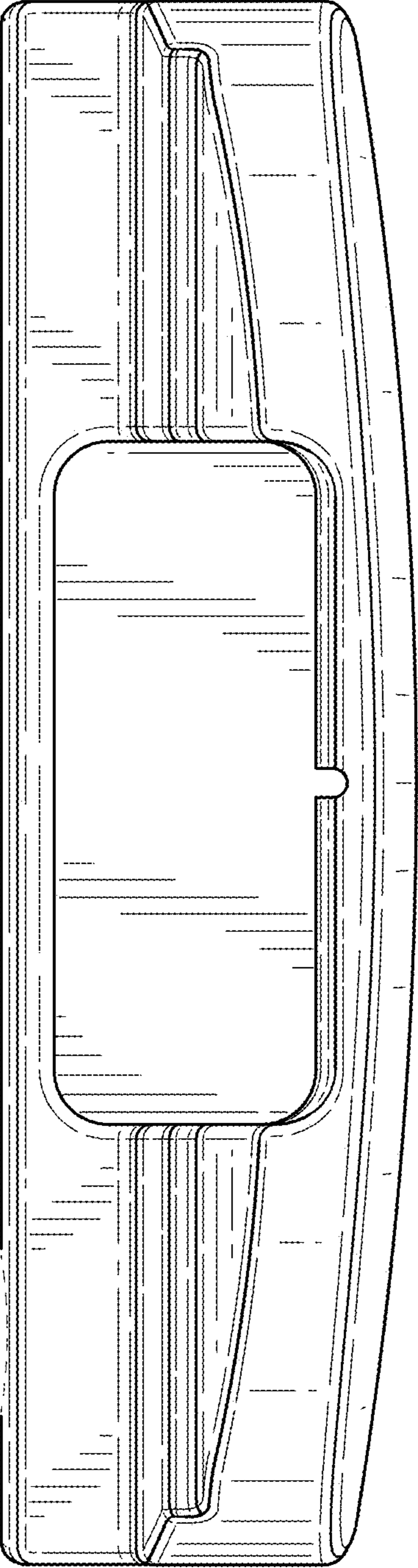


FIG. 6

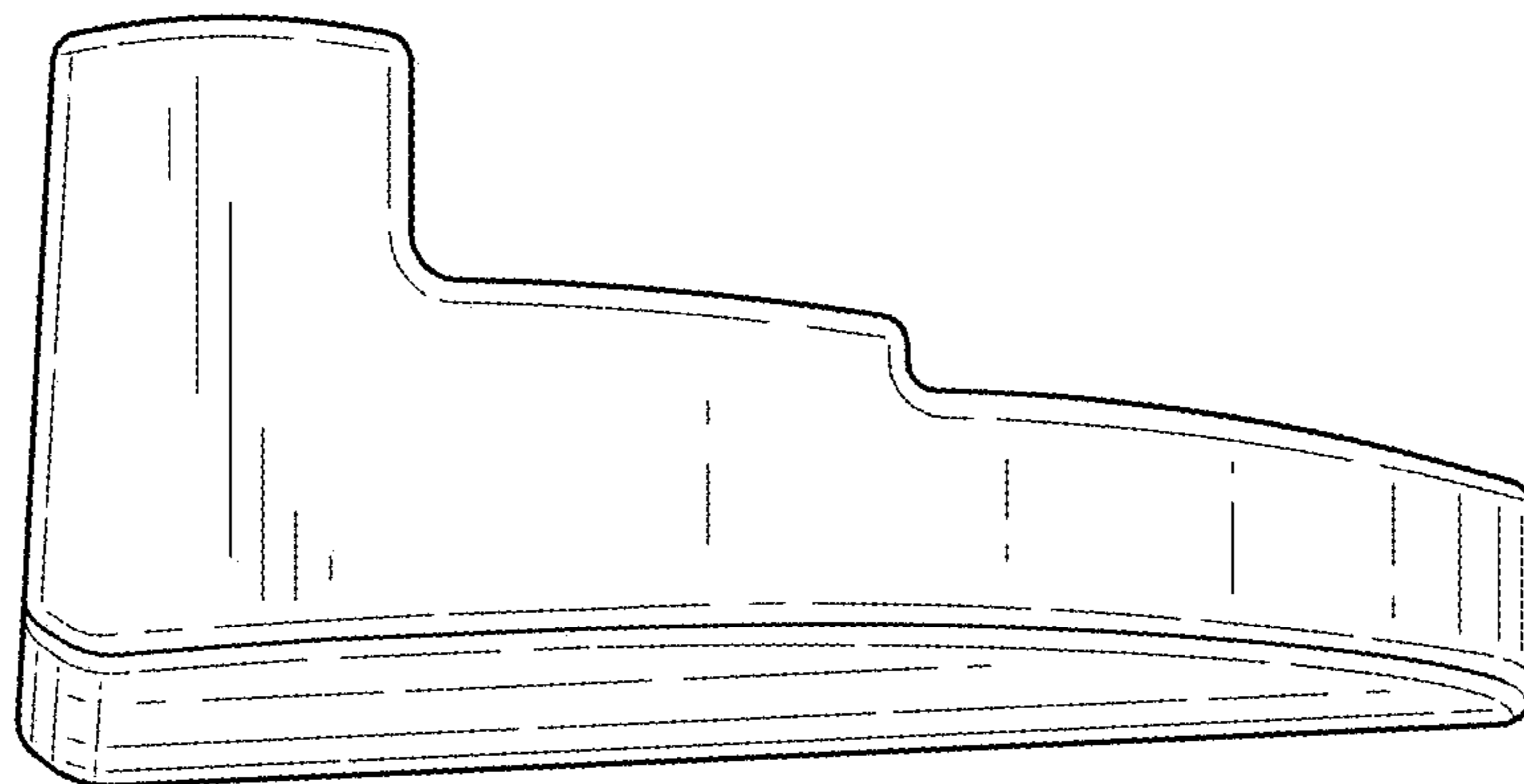


FIG. 7

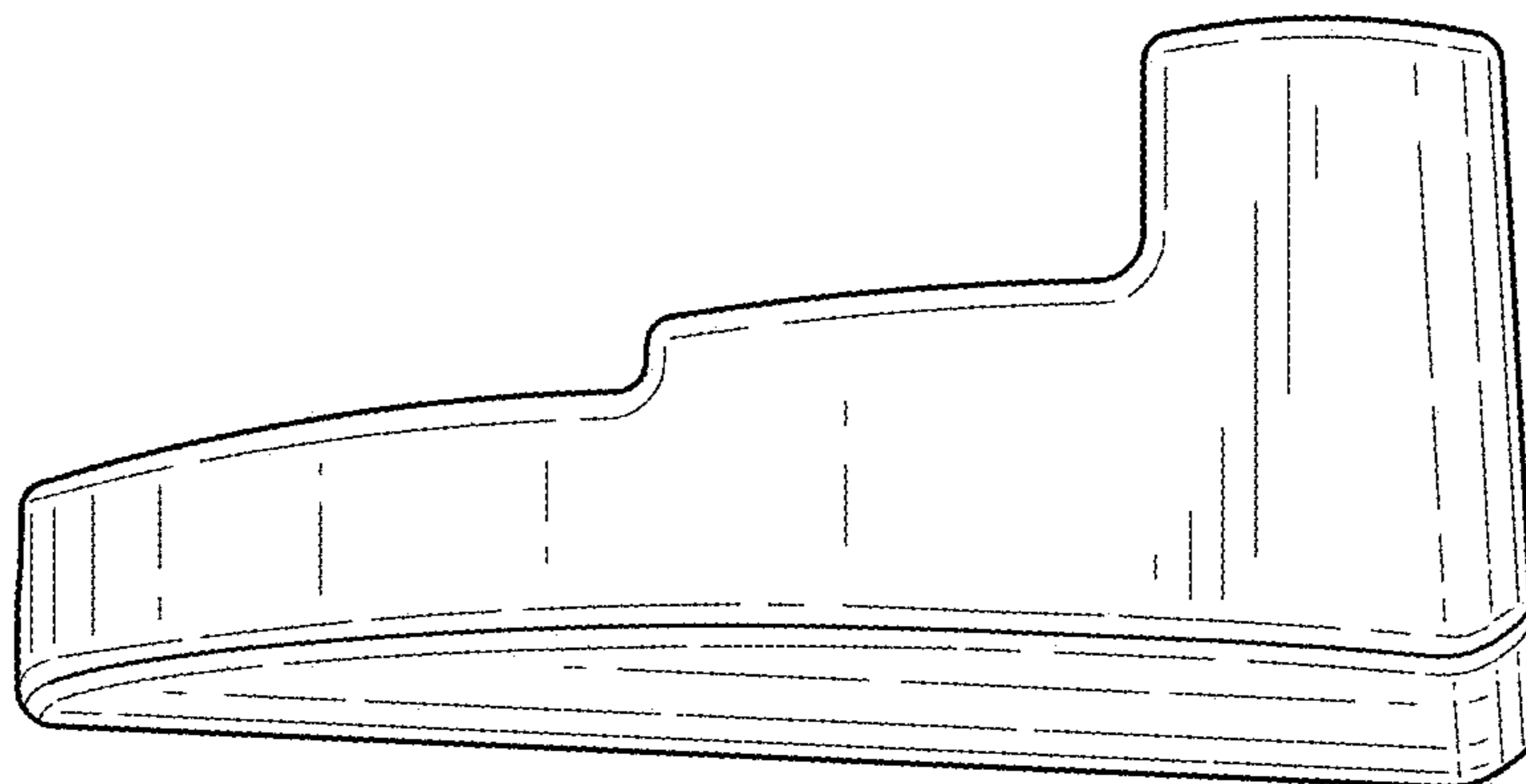


FIG. 8

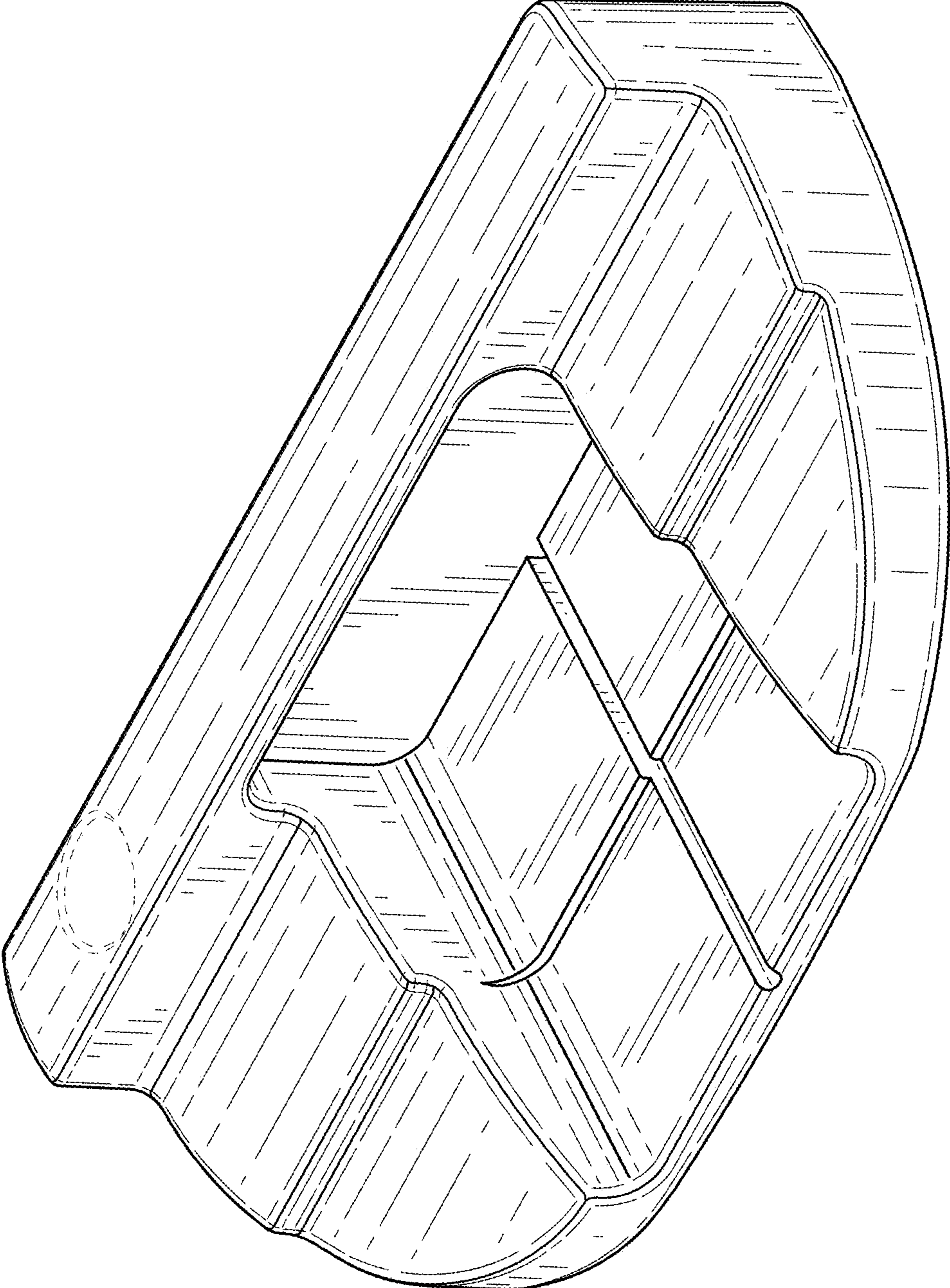


FIG. 9

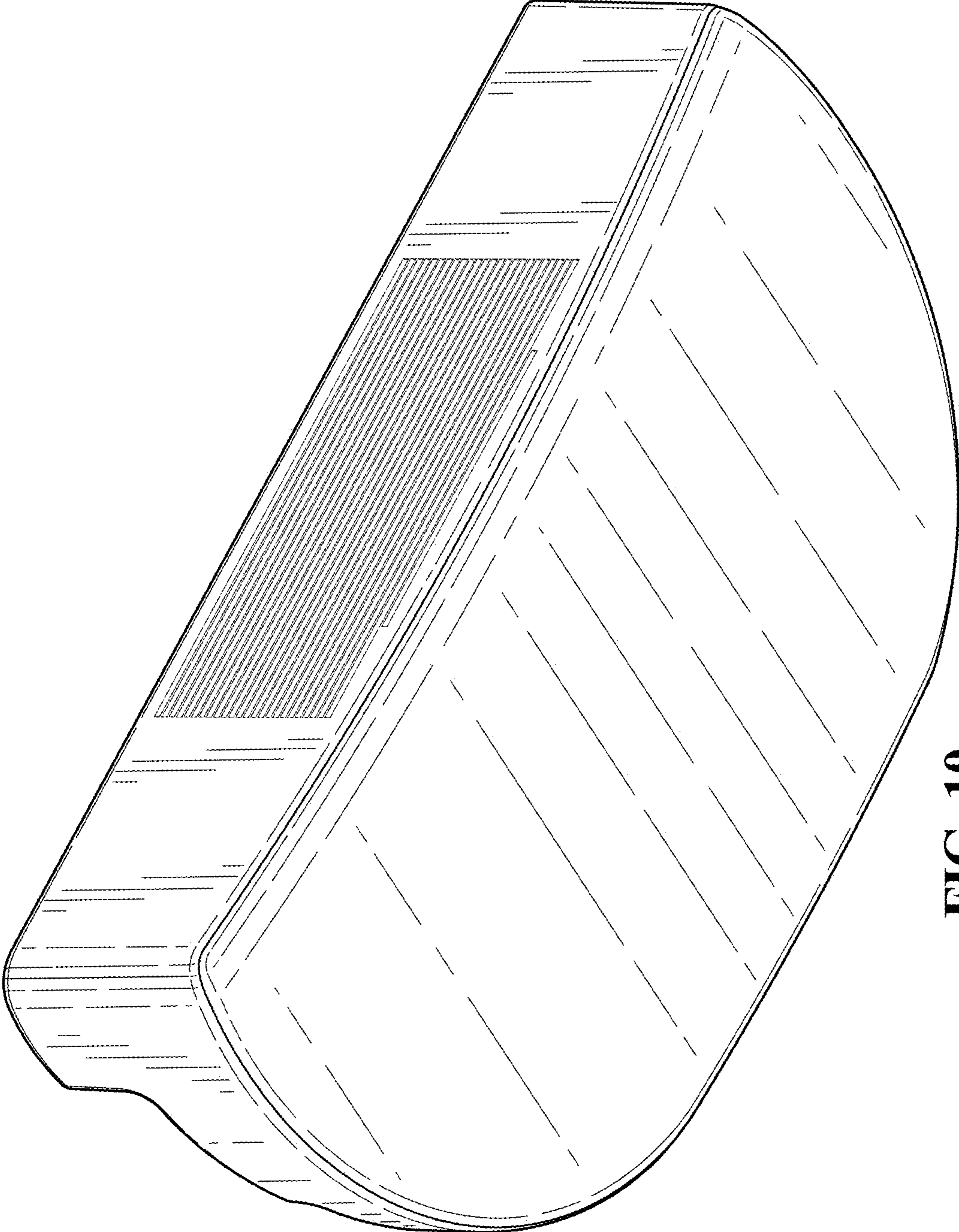


FIG. 10

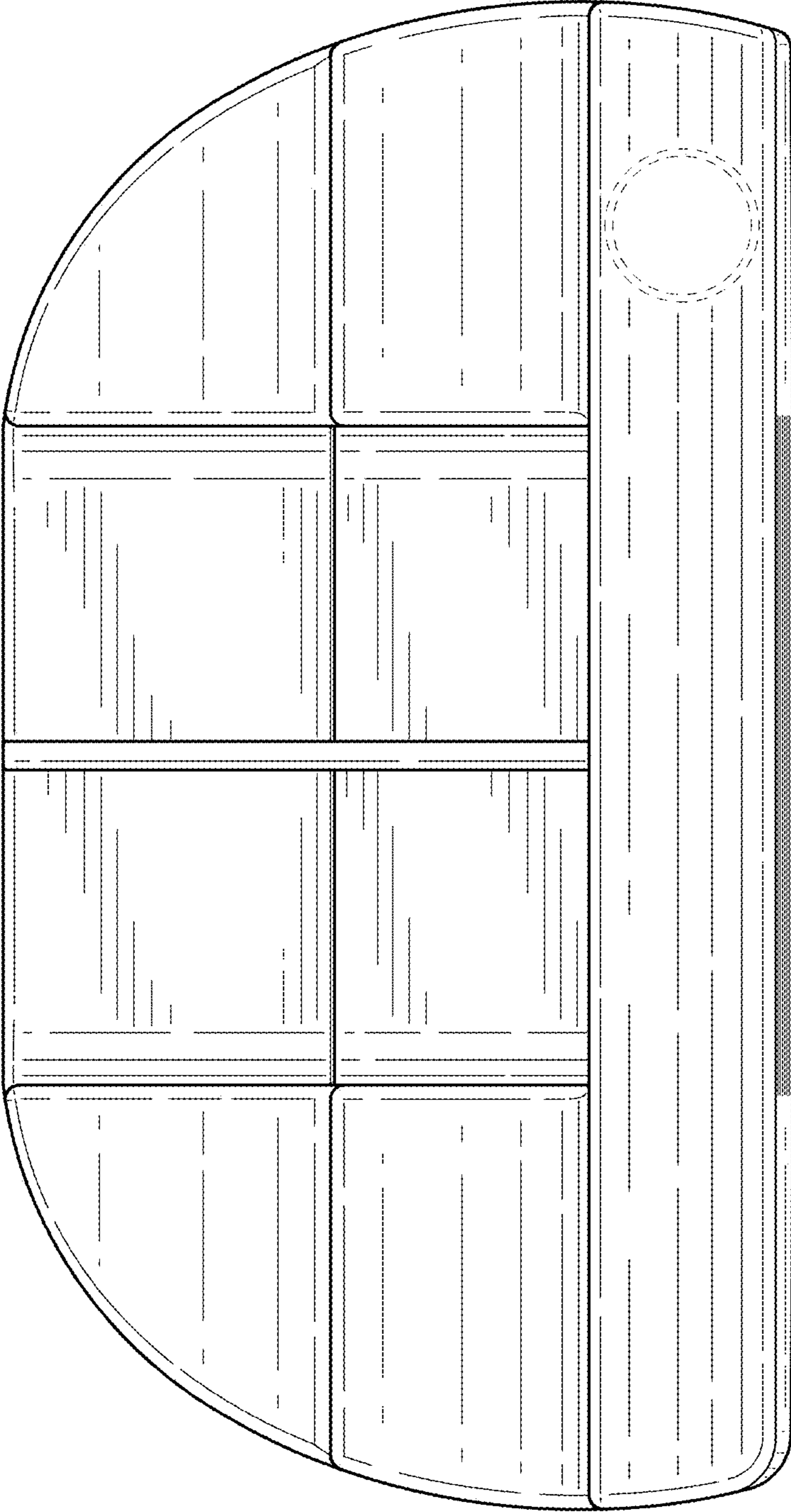


FIG. 11

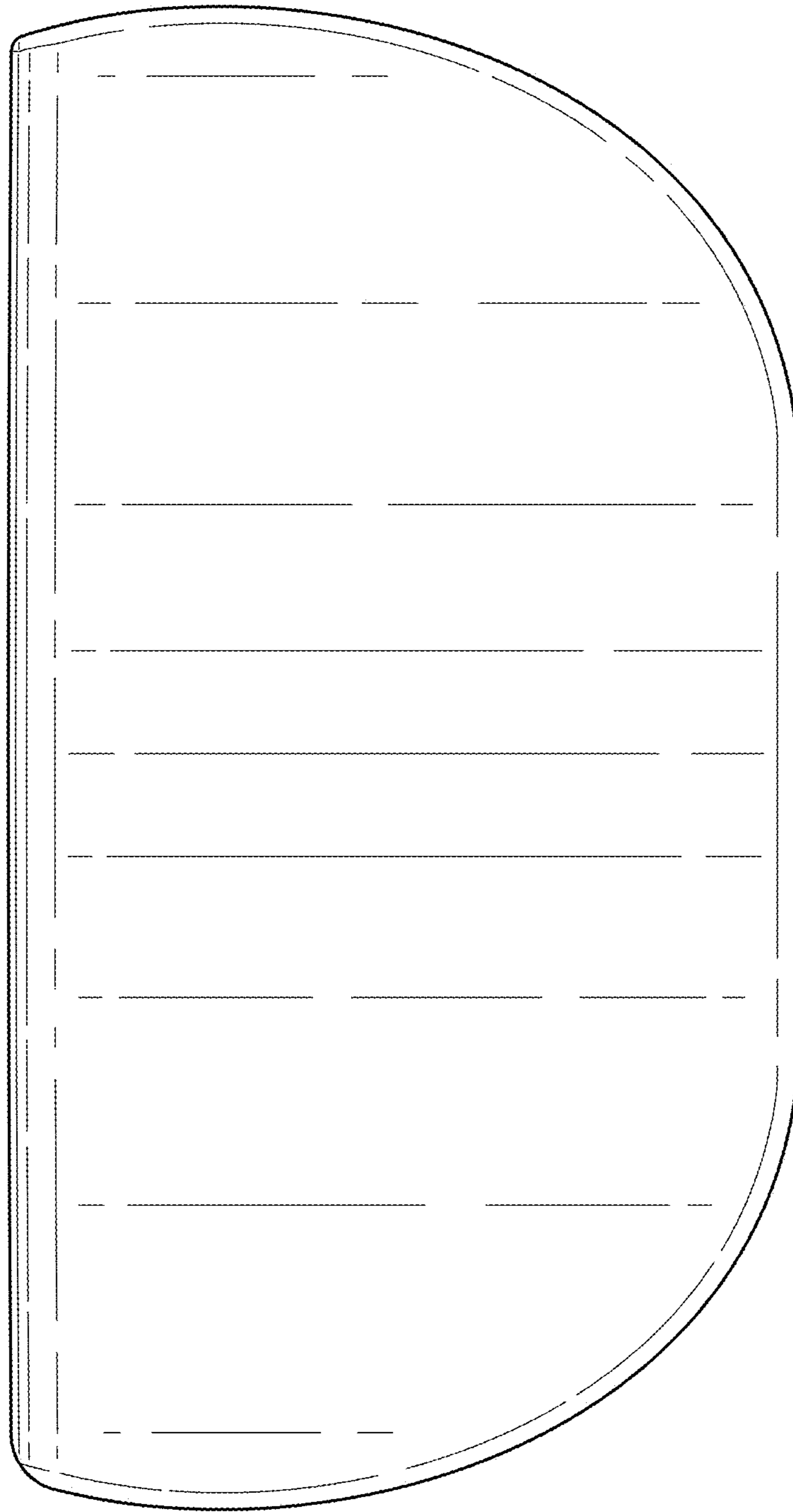


FIG. 12

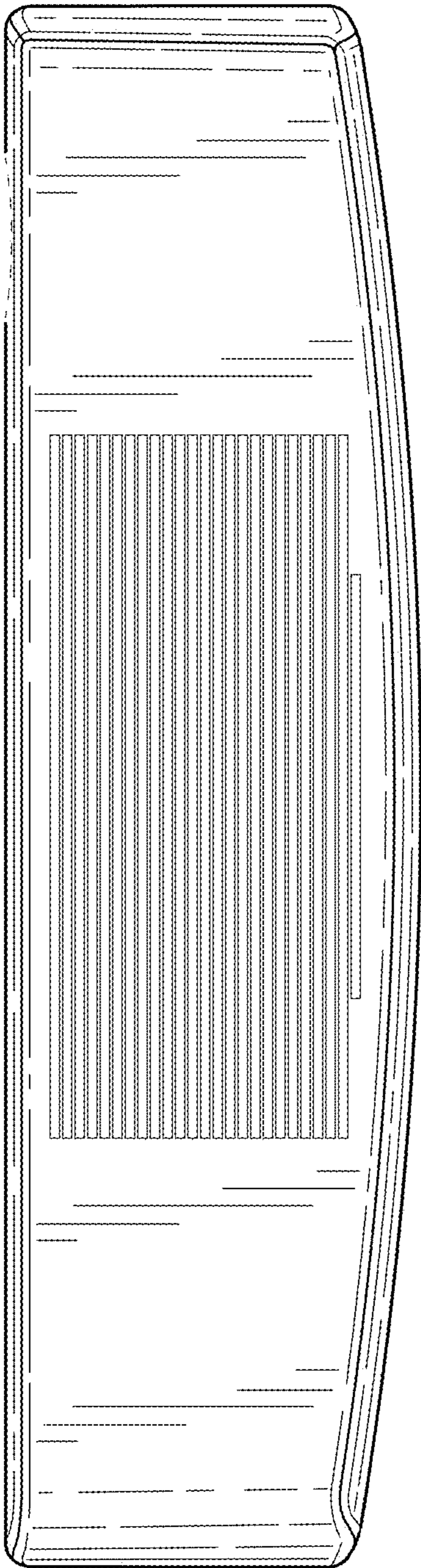


FIG. 13

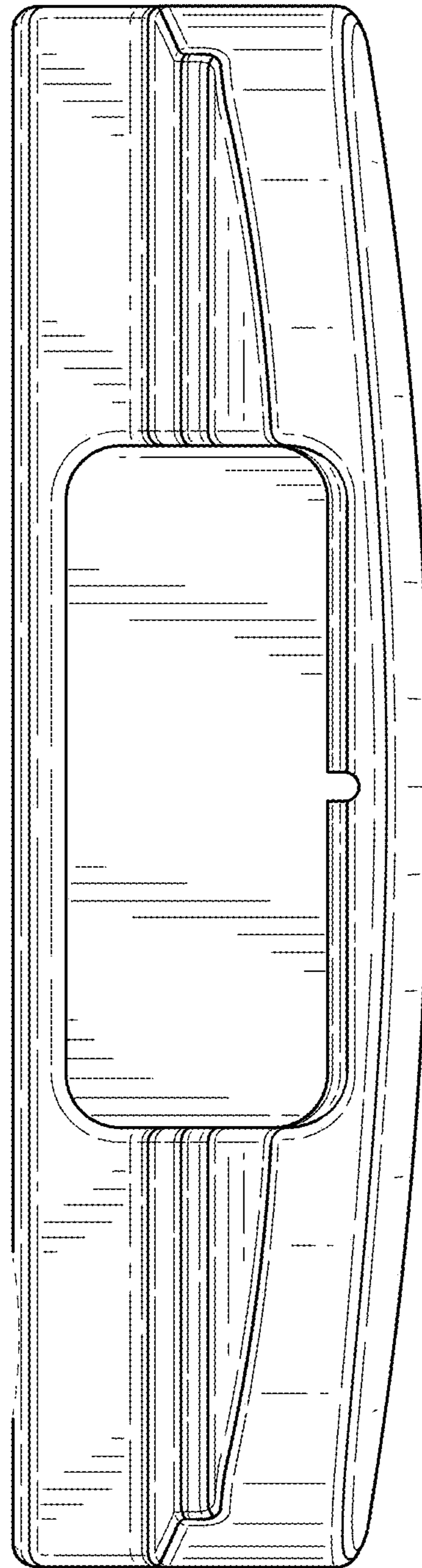


FIG. 14

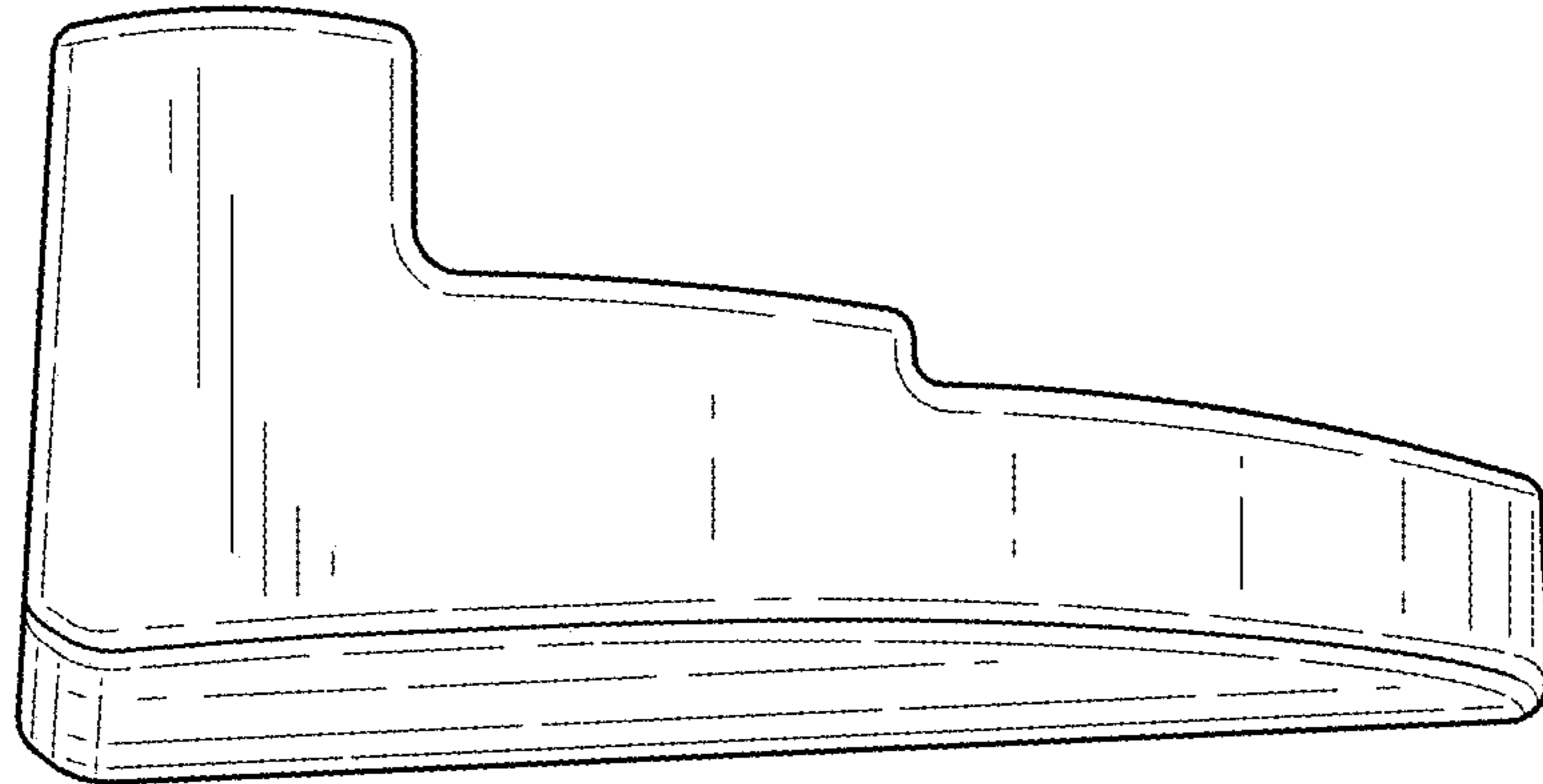


FIG. 15

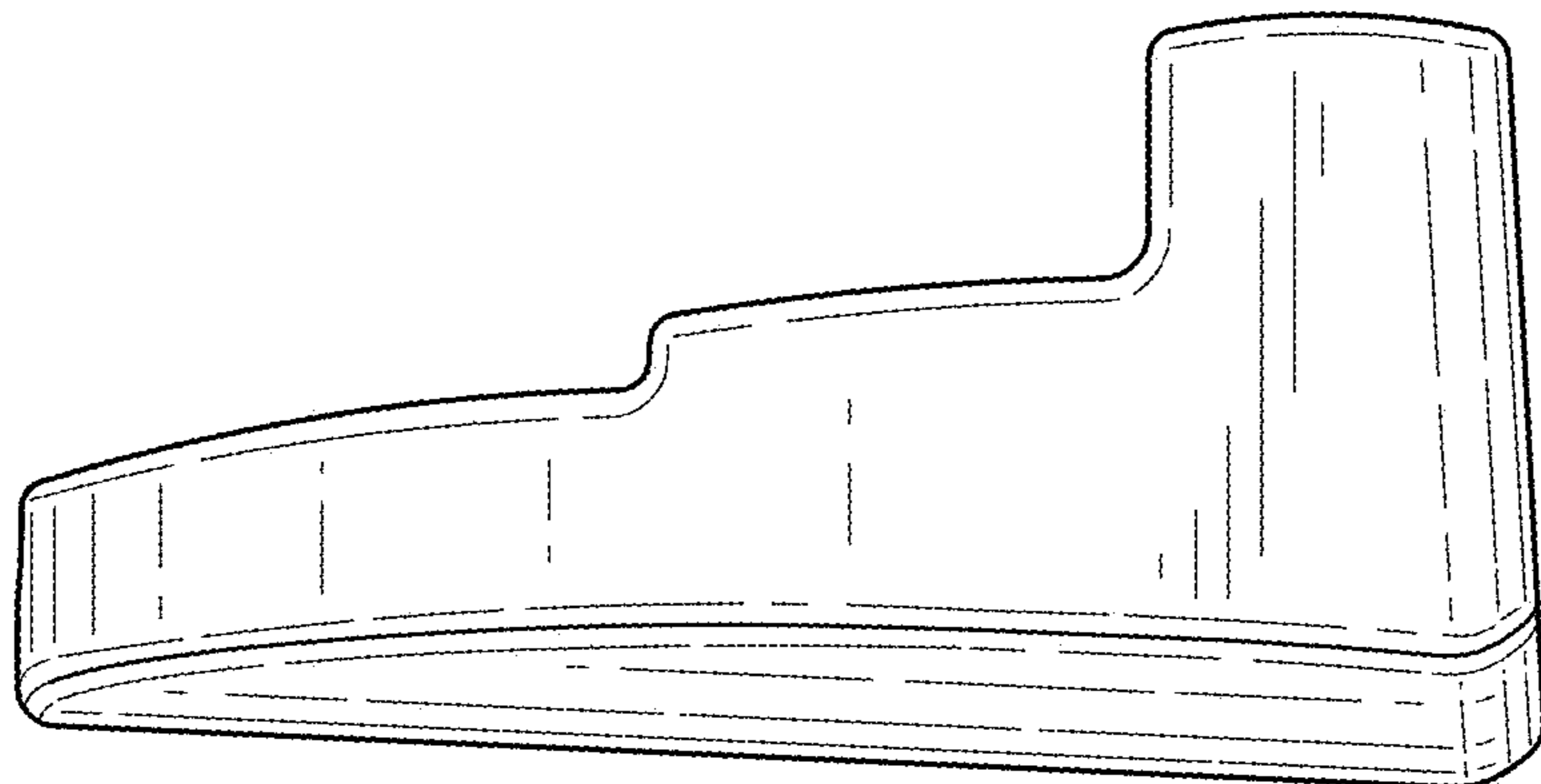


FIG. 16