



US00D923729S

(12) **United States Design Patent** (10) **Patent No.:** **US D923,729 S**
Nicolette et al. (45) **Date of Patent:** **** Jun. 29, 2021**

- (54) **GOLF CLUB HEAD**
- (71) Applicant: **PARSONS XTREME GOLF, LLC**,
Scottsdale, AZ (US)
- (72) Inventors: **Michael R. Nicolette**, Scottsdale, AZ
(US); **Bradley D. Schweigert**, Cave
Creek, AZ (US)
- (73) Assignee: **PARSONS XTREME GOLF, LLC**,
Scottsdale, AZ (US)
- (**) Term: **15 Years**
- (21) Appl. No.: **29/698,932**
- (22) Filed: **Jul. 22, 2019**

Related U.S. Application Data

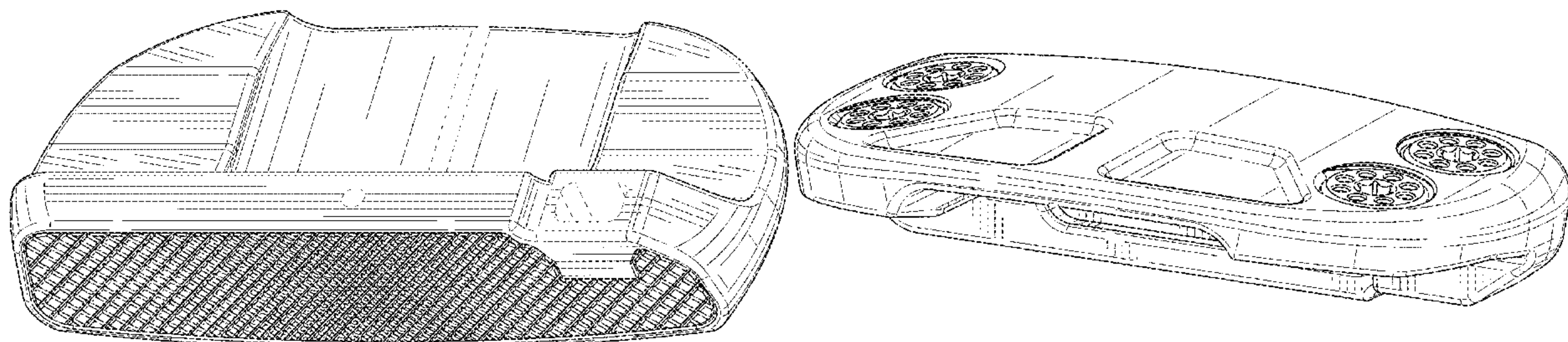
- (63) Continuation-in-part of application No. 29/679,120,
filed on Feb. 1, 2019, now abandoned.
- (51) **LOC (13) Cl.** **21-02**
- (52) **U.S. Cl.**
USPC **D21/736**
- (58) **Field of Classification Search**
USPC D21/736-746, 759
CPC A63B 53/00; A63B 53/04; A63B 53/007;
A63B 53/065; A63B 53/0487; A63B
60/00; A63B 60/46
See application file for complete search history.

References Cited

U.S. PATENT DOCUMENTS

- 723,534 A * 3/1903 Knight A63B 53/0487
473/313
- D57,980 S * 5/1921 Kraeuter D21/741
- RE19,178 E 5/1934 Spiker
- 4,043,562 A 8/1977 Shilungton
- D248,783 S 8/1978 Long
- D281,092 S 10/1985 Mills
- 4,754,977 A 7/1988 Sahn
- 4,869,507 A 9/1989 Sahn
- D313,451 S 1/1991 Shearer
- D335,317 S 5/1993 Shearer

- D335,692 S 5/1993 Antonious
- D336,757 S 6/1993 Antonious
- D350,582 S 9/1994 Miansian et al.
- 5,390,919 A 2/1995 Stubbs
- 5,429,366 A 7/1995 McCabe
- D363,101 S 10/1995 Sturm
- 5,489,097 A 2/1996 Simmons
- D368,751 S 4/1996 Rife
- D369,393 S 4/1996 Oku
- D365,864 S 10/1996 Strum
- 5,571,053 A 11/1996 Lane
- D378,688 S 4/1997 Cameron
- D380,514 S 7/1997 Markley
- D385,609 S 10/1997 Cameron
- 5,683,307 A 11/1997 Rife
- D388,143 S 12/1997 Huan-Chiang
- D389,207 S 1/1998 Cameron
- D396,083 S * 7/1998 Sheets D21/742
- D398,685 S 9/1998 Masuda
- D399,290 S 10/1998 Sizemore, Jr.
- D399,911 S 10/1998 Sanchez
- D400,610 S * 11/1998 Cameron D21/742
- 5,839,974 A 11/1998 McAllister
- D405,836 S 2/1999 Nicolette et al.
- D409,701 S 5/1999 Ashcraft et al.
- 5,924,938 A 7/1999 Hines
- D422,655 S 4/2000 Hicks
- D426,276 S 6/2000 Besnard et al.
- D428,457 S * 7/2000 Rollinson D21/743
- D431,854 S 10/2000 Cameron
- D432,192 S 10/2000 Hicks
- D436,151 S 1/2001 Nicolette et al.
- D437,374 S 2/2001 Cameron
- D441,820 S 5/2001 Nicolette et al.
- D443,668 S 6/2001 Nicolette et al.
- D443,905 S 6/2001 Nicolette et al.
- D444,833 S 7/2001 Nicolette
- 6,264,571 B1 7/2001 Lekavich
- D449,664 S 10/2001 Beebe et al.
- D449,865 S 10/2001 Fife, Jr. et al.
- D450,799 S 11/2001 Nicolette et al.
- D451,973 S 12/2001 Wells et al.
- 6,348,014 B1 2/2002 Chiu
- 6,354,959 B1 3/2002 Nicolette
- 6,394,910 B1 5/2002 McCarthy
- D472,949 S 4/2003 Serrano
- D474,821 S 5/2003 Wells et al.
- D483,086 S 12/2003 Schweigert
- D486,872 S 2/2004 Schweigert et al.
- D496,276 S 11/2004 Schweigert et al.
- D500,823 S * 1/2005 Aldrich D21/759
- 6,902,496 B2 6/2005 Solheim
- D511,801 S 11/2005 Garcia



US D923,729 S

D511,802 S *	11/2005	Cameron	D21/744		D720,412 S *	12/2014	Rollinson	D21/743
D512,114 S	11/2005	Garcia			D722,350 S	2/2015	Schweigert	
D512,116 S	11/2005	Mirafior et al.			D722,351 S	2/2015	Parsons et al.	
6,988,956 B2	1/2006	Cover			D722,352 S	2/2015	Nicolette et al.	
D520,088 S	5/2006	Parr			D723,120 S	2/2015	Nicolette	
D531,242 S	10/2006	Adams			D724,164 S	3/2015	Schweigert et al.	
D532,067 S	11/2006	Soracco			D725,208 S *	3/2015	Schweigert	D21/743
D532,468 S *	11/2006	Hettinger	D21/743		D726,265 S	4/2015	Nicolette	
7,153,220 B2	12/2006	Lo			D726,846 S *	4/2015	Schweigert	D21/743
D534,595 S	1/2007	Hasebe			D726,849 S	4/2015	Burns	
7,156,752 B1	1/2007	Bennett			D733,234 S	6/2015	Nicolette	
D536,401 S	2/2007	Kawami			D735,283 S	7/2015	Solheim	
D536,403 S	2/2007	Kawami			D738,447 S *	9/2015	Schweigert	D21/736
D538,371 S	3/2007	Kawami			D738,449 S	9/2015	Schweigert	
7,204,765 B2	4/2007	Cover			D739,487 S	9/2015	Schweigert	
D542,869 S	5/2007	Adams			D741,426 S	10/2015	Schweigert	
D543,596 S	5/2007	Rockwood			D746,926 S	1/2016	Parsons	
D543,601 S	5/2007	Kawami			D748,213 S	1/2016	Parsons et al.	
D555,219 S	11/2007	Lin			D748,215 S	1/2016	Parsons et al.	
D556,277 S	11/2007	Broom			9,233,283 B2	1/2016	Schweigert	
D561,854 S	2/2008	Morris			D752,697 S	3/2016	Claveran	
7,331,876 B2	2/2008	Klein			D753,252 S	4/2016	Schweigert	
7,351,162 B2	4/2008	Soracco			D759,173 S *	6/2016	Rollinson	D21/743
D569,461 S	5/2008	Morris			D762,274 S *	7/2016	Cardani	D21/759
D569,930 S	5/2008	Nehrbas			D763,382 S *	8/2016	Cardani	D21/759
7,396,289 B2	7/2008	Soracco			D765,198 S *	8/2016	Cardani	D21/759
D577,086 S	8/2008	Nicolette et al.			D768,247 S *	10/2016	Rollinson	D21/744
D577,085 S	9/2008	Nicolette et al.			D779,006 S *	2/2017	Abbott	D21/744
D579,506 S	10/2008	Nicolette et al.			D791,891 S	7/2017	Davis	
D579,995 S	11/2008	Nicolette et al.			D794,146 S	8/2017	Davis	
D582,497 S	12/2008	Rollinson			D796,603 S *	9/2017	Serrano	D21/744
7,473,189 B2	1/2009	Schweigert			D802,073 S *	11/2017	Toulon	D21/759
7,491,131 B2	2/2009	Vinton			D812,163 S *	3/2018	Kroloff	D21/736
D590,463 S *	4/2009	Hettinger	D21/743		D826,353 S *	8/2018	Cameron	D21/736
D599,425 S	9/2009	Laub			10,173,105 B2 *	1/2019	Myers	A63B 53/0487
D599,867 S	9/2009	Teramoto			D860,353 S *	9/2019	Rollinson	D21/743
D600,762 S *	9/2009	Serrano	D21/743		10,441,858 B2 *	10/2019	Schweigert	A63B 53/065
D600,763 S	9/2009	Cameron			10,493,331 B2 *	12/2019	Kroloff	A63B 53/0433
D601,214 S	9/2009	Serrano			D872,816 S *	1/2020	Parsons	D21/736
D603,007 S *	10/2009	Franklin	D21/736		D873,358 S *	1/2020	Lee	D21/744
D607,951 S	1/2010	Teramoto			D879,223 S *	3/2020	Serrano	D21/742
7,744,485 B2	6/2010	Jones			D879,895 S *	3/2020	Schweigert	D21/759
D620,993 S	8/2010	Laub			10,646,758 B2 *	5/2020	Schweigert	A63B 60/02
D623,709 S	9/2010	Serrano et al.			D892,955 S *	8/2020	Clarke	D21/744
D631,925 S	2/2011	Broom			D895,747 S *	9/2020	Rollinson	D21/743
7,887,432 B2	2/2011	Jones			D896,903 S *	9/2020	Schweigert	D21/743
D633,964 S	3/2011	Teramoto			D898,846 S *	10/2020	Clarke	D21/743
D634,801 S *	3/2011	Rollinson	D21/743		D898,847 S *	10/2020	Clarke	D21/743
7,909,707 B2	3/2011	Klein			2007/0142122 A1	6/2007	Bonneau	
D635,625 S *	4/2011	Rollinson	D21/743		2007/0207875 A1	9/2007	Kuan	
7,918,745 B2	4/2011	Morris			2007/0238548 A1	10/2007	Johnson	
7,927,226 B1	4/2011	Twitty			2008/0139333 A1	6/2008	Klein	
D638,891 S *	5/2011	Nicolette	D21/736		2008/0146372 A1	6/2008	John	
D643,485 S	6/2011	Nicolette et al.			2008/0176672 A1	7/2008	Roach	
D642,643 S	8/2011	Nicolette et al.			2011/0165959 A1	7/2011	Klein	
D644,703 S *	9/2011	Serrano	D21/743		2013/0165256 A1	6/2013	Stevenson	
D645,104 S	9/2011	Nicolette et al.			2013/0210537 A1	8/2013	Ainscough	
D648,408 S *	11/2011	Teramoto	D21/743					
8,096,039 B2	1/2012	Soracco						
D653,718 S	2/2012	Stokke et al.						
D655,361 S	3/2012	Ramsauer						
D661,753 S	6/2012	Cameron et al.						
D661,754 S *	6/2012	Cameron	D21/759					
D666,260 S	8/2012	Cynn						
8,371,958 B2 *	2/2013	Treadwell	A63B 53/04 473/331					
8,376,878 B2	2/2013	Bennett						
D688,339 S	8/2013	Hilton et al.						
D688,341 S	8/2013	Rollinson						
D691,226 S	10/2013	Hilton et al.						
D691,681 S *	10/2013	Hilton	D21/736					
D699,308 S	2/2014	Rollinson						
D704,782 S	5/2014	Rollinson						
8,721,472 B2	5/2014	Kuan						
8,790,193 B2	7/2014	Serrano						
D711,483 S	8/2014	Wong						
D720,022 S *	12/2014	Rollinson	D21/736					
D720,023 S *	12/2014	Rollinson	D21/736					
D720,411 S *	12/2014	Rollinson	D21/743					

FOREIGN PATENT DOCUMENTS

JP 20050160691 6/2005

OTHER PUBLICATIONS

U.S. Appl. No. 14/586,720, Parsons et al., "Golf Club Heads and Methods to Manufacture Golf Club Heads," filed Dec. 30, 2014.
 U.S. Appl. No. 29/523,587, Schweigert, "Golf Club Head," filed Apr. 10, 2015.
 TourSpecGolf (Gold's Factory Multi Weighted Custom Putter) [online]. Nov. 20, 2010 [retrieved Jul. 7, 2015]. Retrieved from the internet: <URL: <http://www.toursecgolf.com/blog/golds-factory-multi-weighted-custom-putter/>>.
 International Search Report and Written Opinion Issued in Connection With Corresponding Application No. PCT/US15/27841 on Jul. 30, 2015 (14 Pages).

* cited by examiner

Primary Examiner — Mitchell I. Siegel

(57)

CLAIM

The ornamental design for a golf club head, as shown and described.

DESCRIPTION

FIG. 1 is a top perspective view of a golf club head;
FIG. 2 is a bottom perspective view of the golf club head of FIG. 1;
FIG. 3 is a front elevational view of the golf club head of FIG. 1;
FIG. 4 is a rear elevational view of the golf club head of FIG. 1;
FIG. 5 is a top view of the golf club head of FIG. 1;
FIG. 6 is a bottom view of the golf club head of FIG. 1;
FIG. 7 is a left side view of the golf club head of FIG. 1;
FIG. 8 is a right side view of the golf club head of FIG. 1;
FIG. 9 is a top perspective view of a second embodiment of a gold club head;
FIG. 10 is a bottom perspective view of the golf club head of FIG. 9;
FIG. 11 is a front elevational view of the golf club head of FIG. 9;
FIG. 12 is a rear elevational view of the golf club head of FIG. 9;
FIG. 13 is a top view of the golf club head of FIG. 9;
FIG. 14 is a bottom view of the golf club head of FIG. 9;
FIG. 15 is a left side view of the golf club head of FIG. 9;

FIG. 16 is a right side view of the golf club head of FIG. 9;
FIG. 17 is a top perspective view of a third embodiment of a gold club head.

FIG. 18 is a bottom perspective view of the golf club head of FIG. 17;

FIG. 19 is a front elevational view of the golf club head of FIG. 17;

FIG. 20 is a rear elevational view of the golf club head of FIG. 17;

FIG. 21 is a top view of the golf club head of FIG. 17;

FIG. 22 is a bottom view of the golf club head of FIG. 17;

FIG. 23 is a left side view of the golf club head of FIG. 17;
and

FIG. 24 is a right side view of the golf club head of FIG. 17.

FIG. 25 is a top perspective view of a golf club head;

FIG. 26 is a bottom perspective view of the golf club head of FIG. 25;

FIG. 27 is a front elevational view of the golf club head of FIG. 25;

FIG. 28 is a rear elevational view of the golf club head of FIG. 25;

FIG. 29 is a top view of the golf club head of FIG. 25;

FIG. 30 is a bottom view of the golf club head of FIG. 25;

FIG. 31 is a left side view of the golf club head of FIG. 25;
and,

FIG. 32 is a right side view of the golf club head of FIG. 25.

The broken lines shown on the drawings form no part of the claimed design.

1 Claim, 21 Drawing Sheets

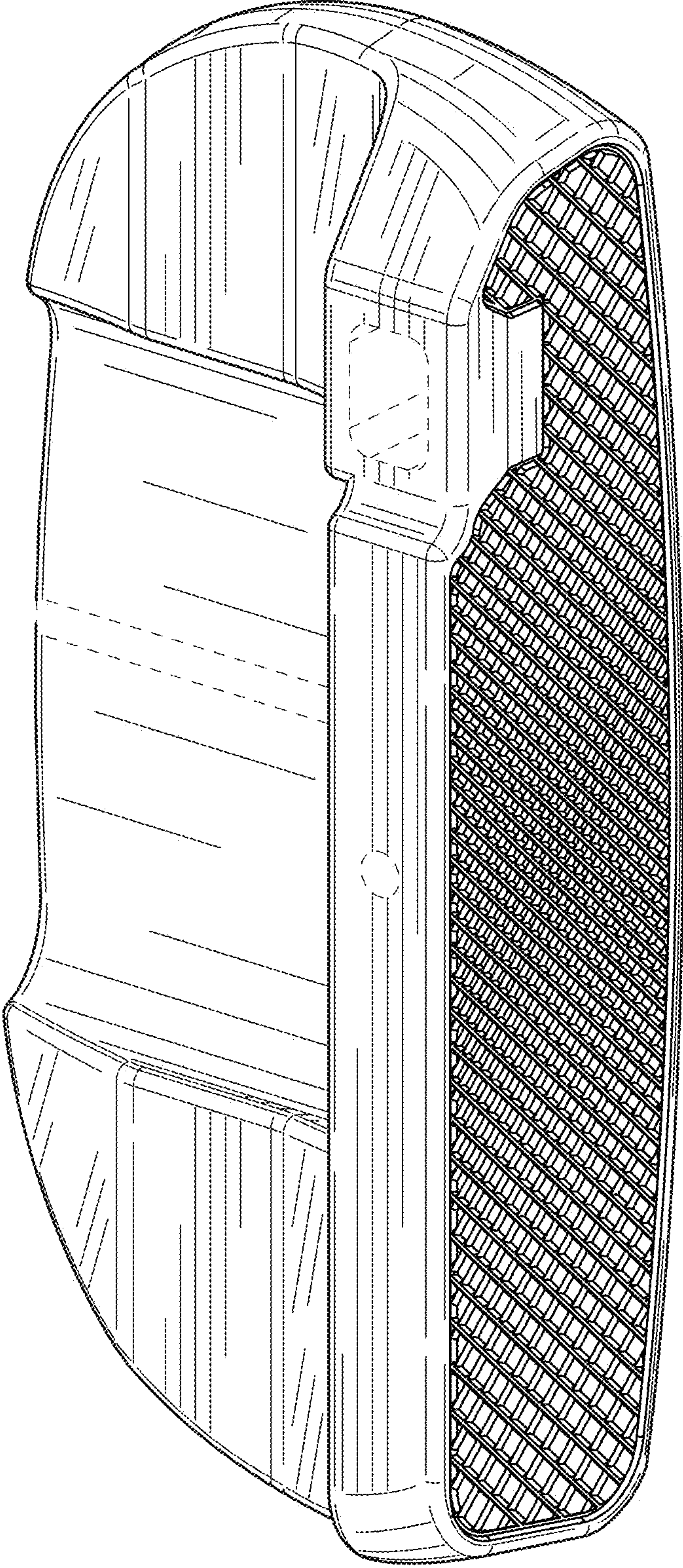


FIG. 1

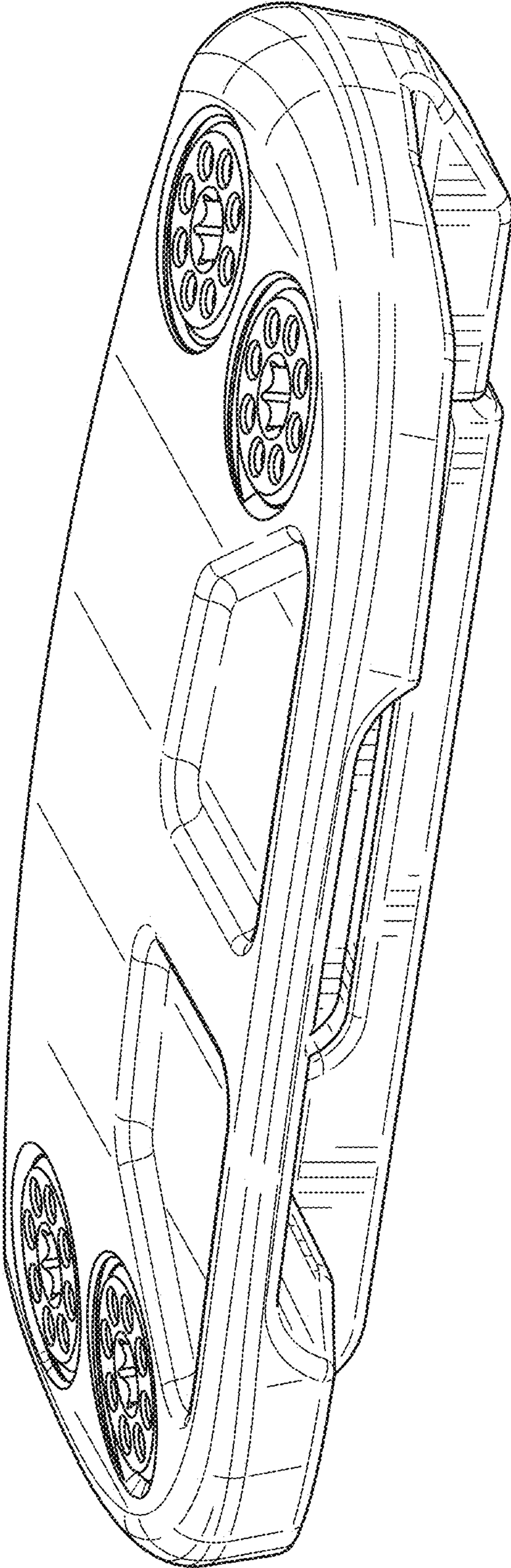


FIG. 2

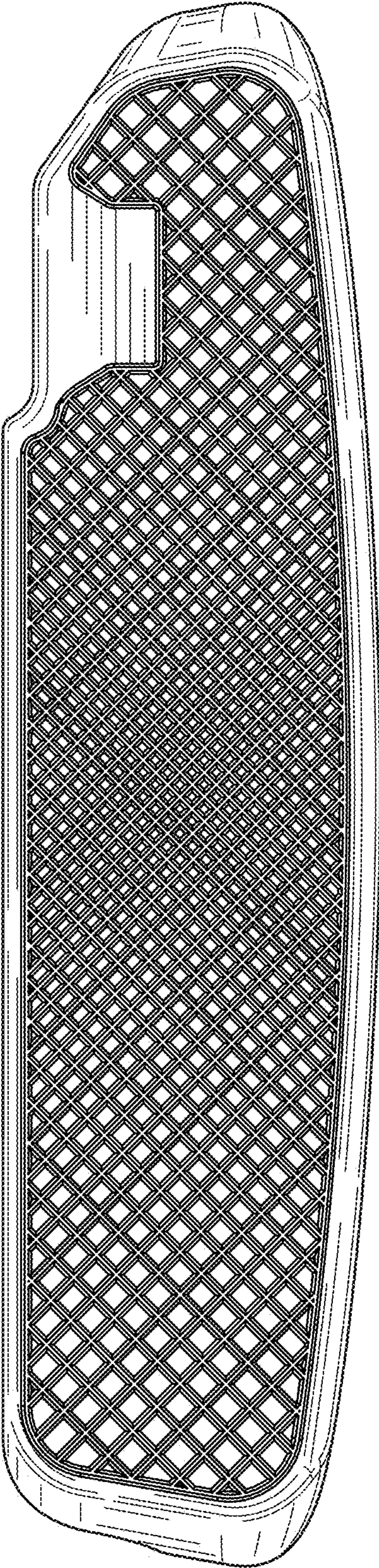


FIG. 3

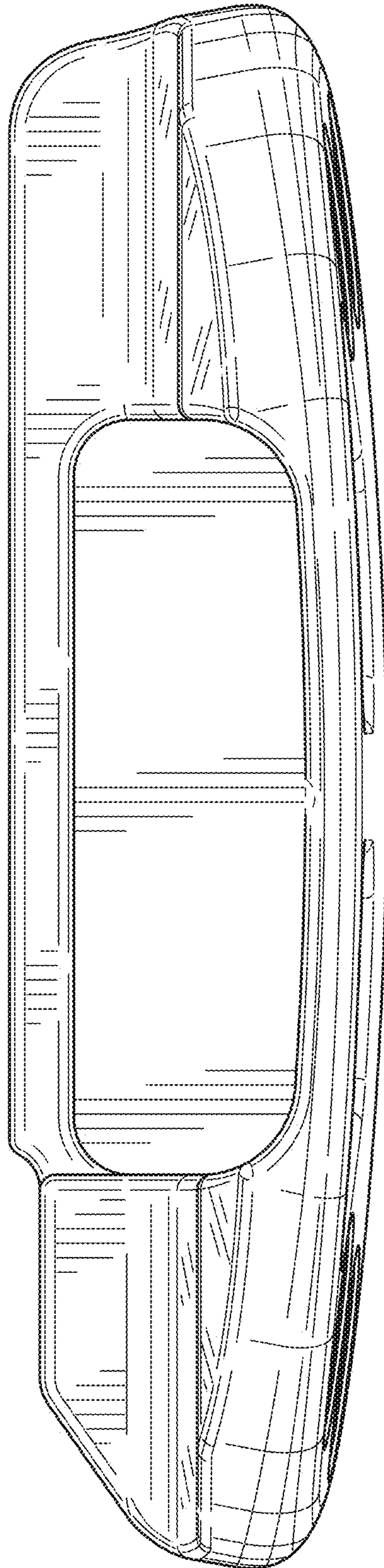


FIG. 4

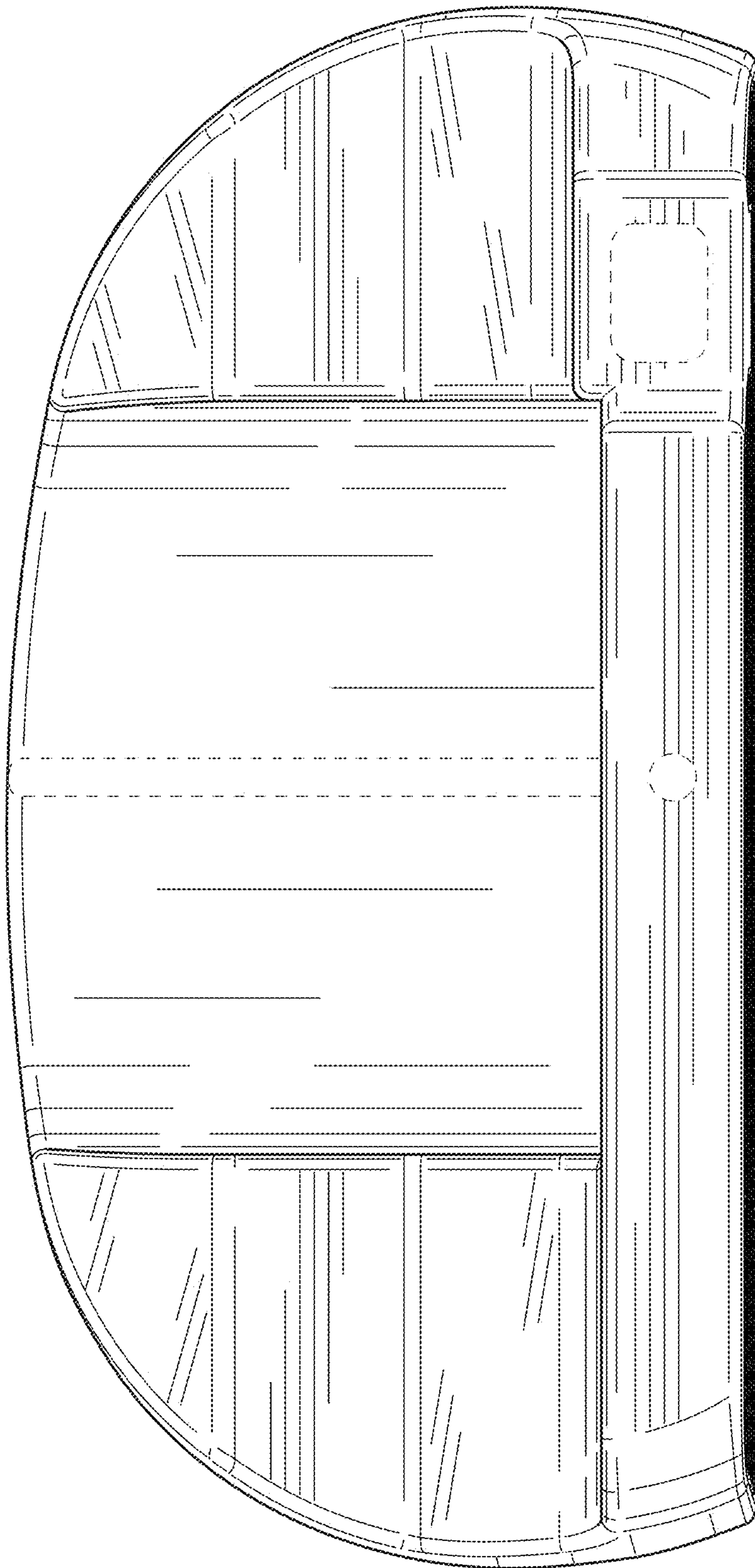


FIG. 5

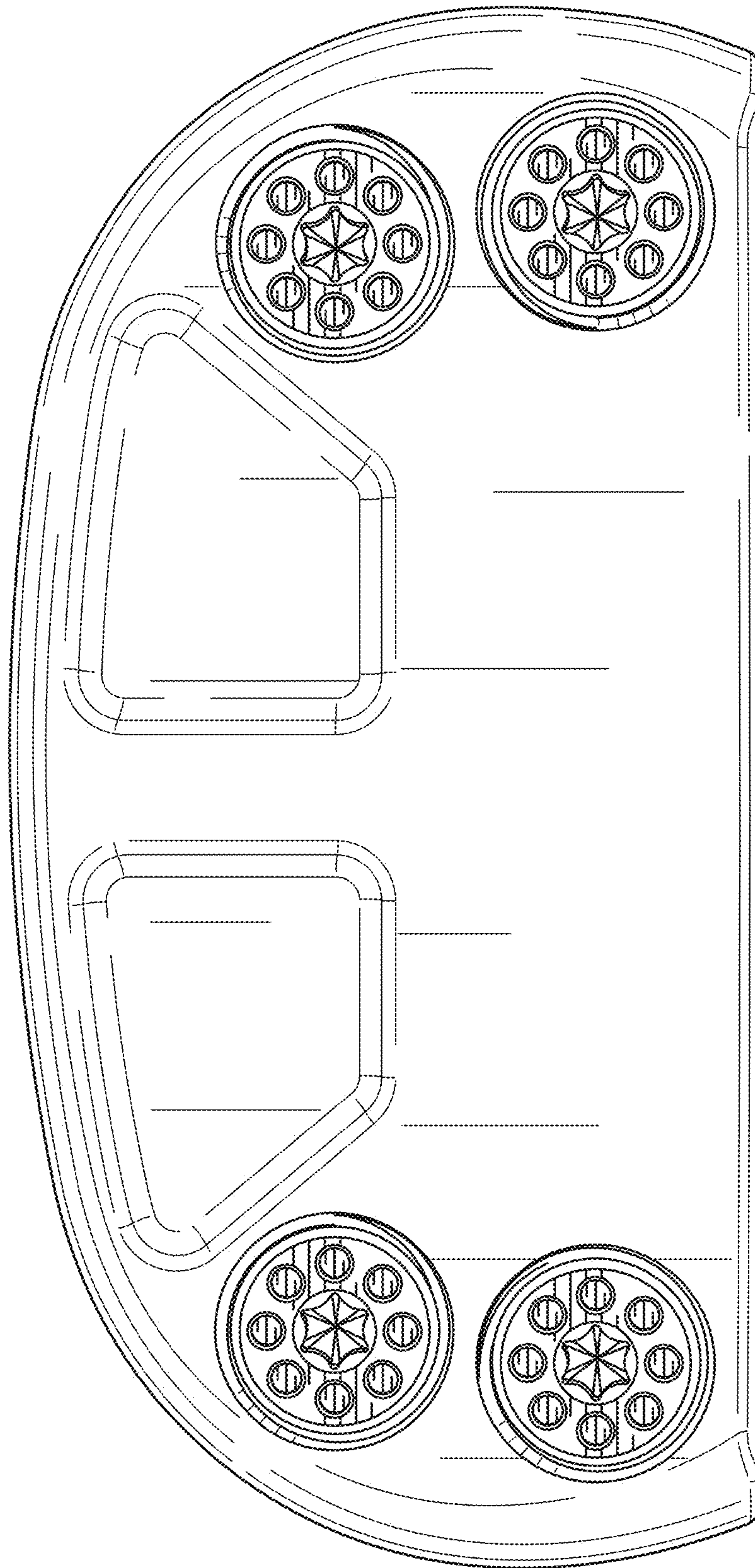


FIG. 6

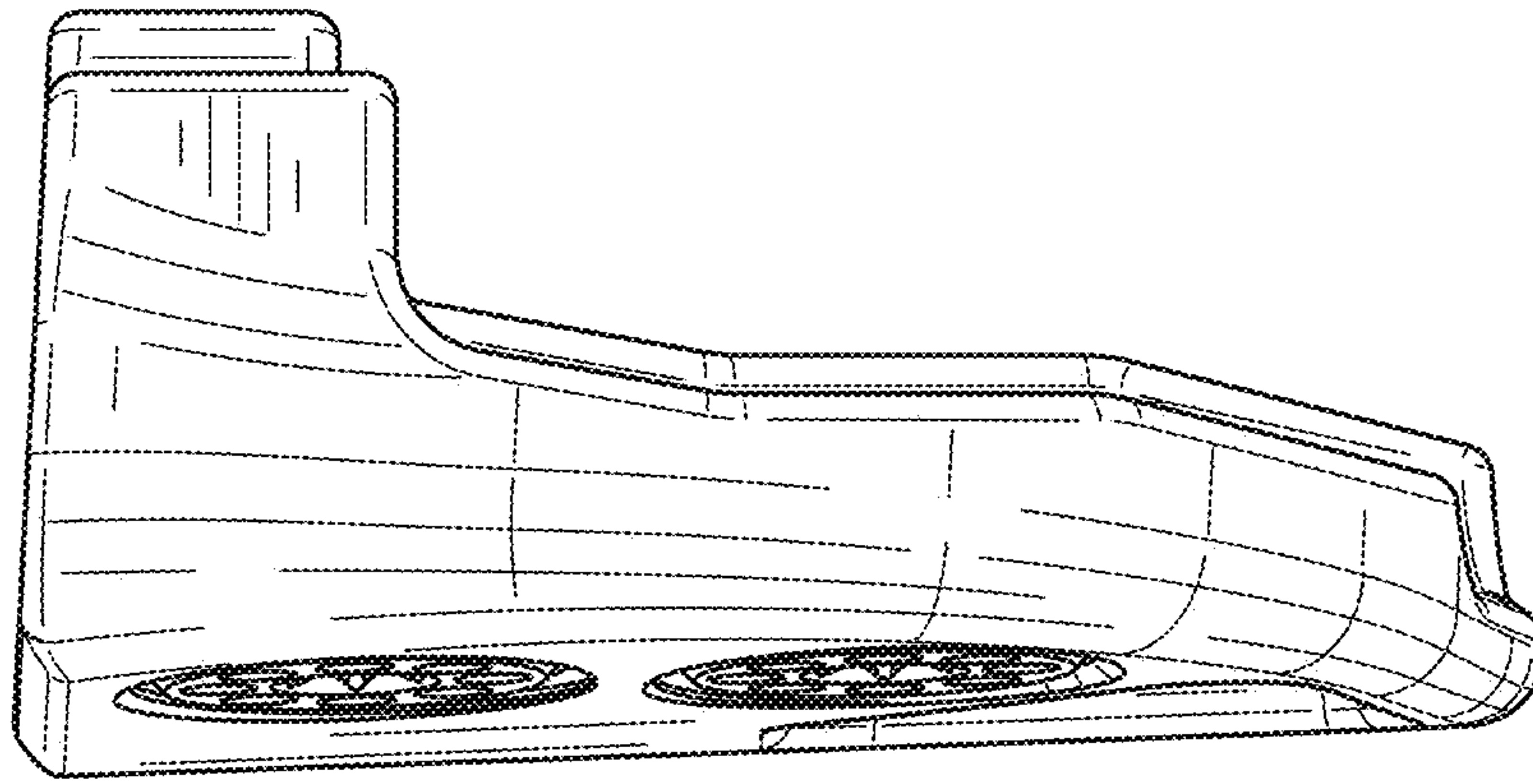


FIG. 7

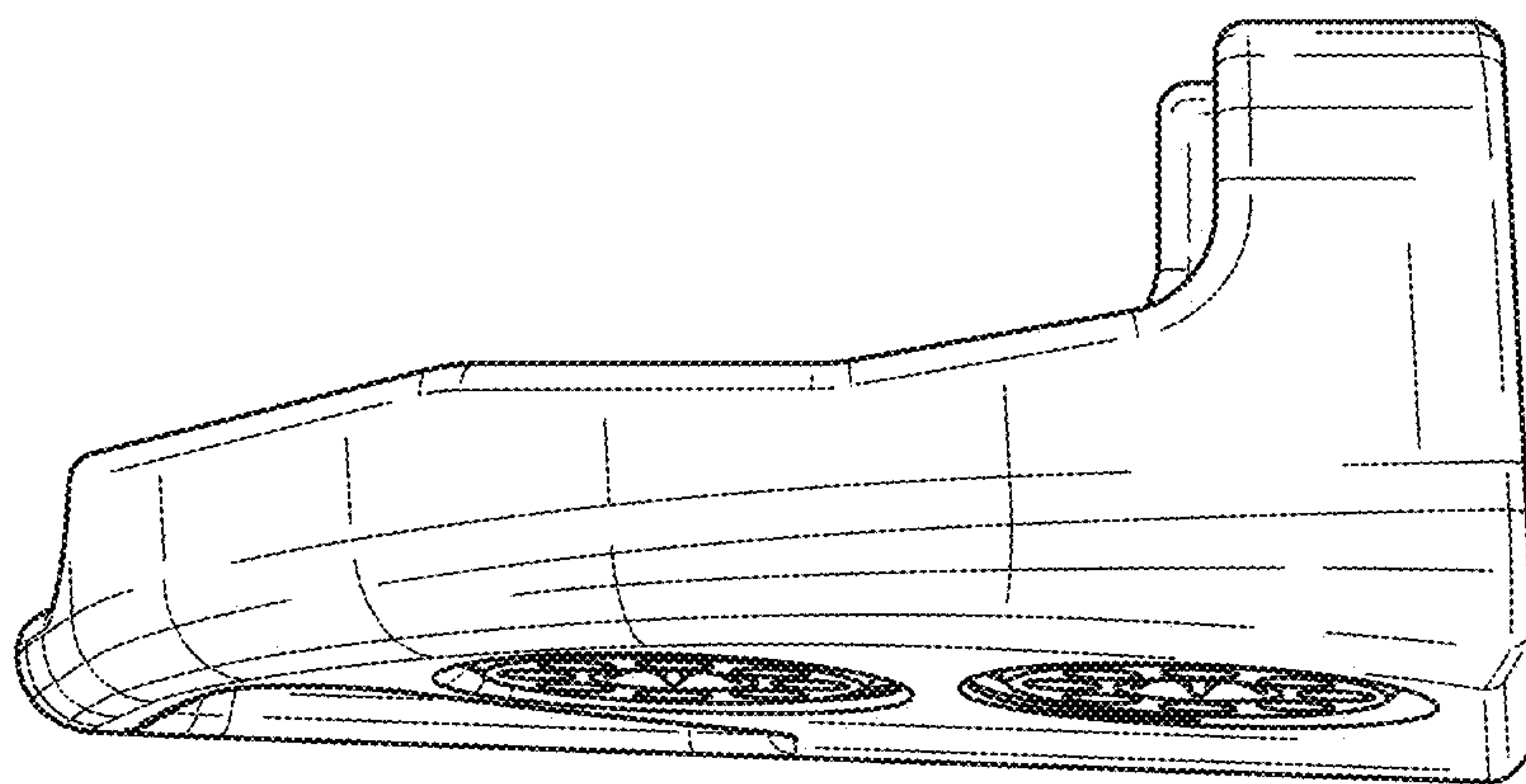


FIG. 8

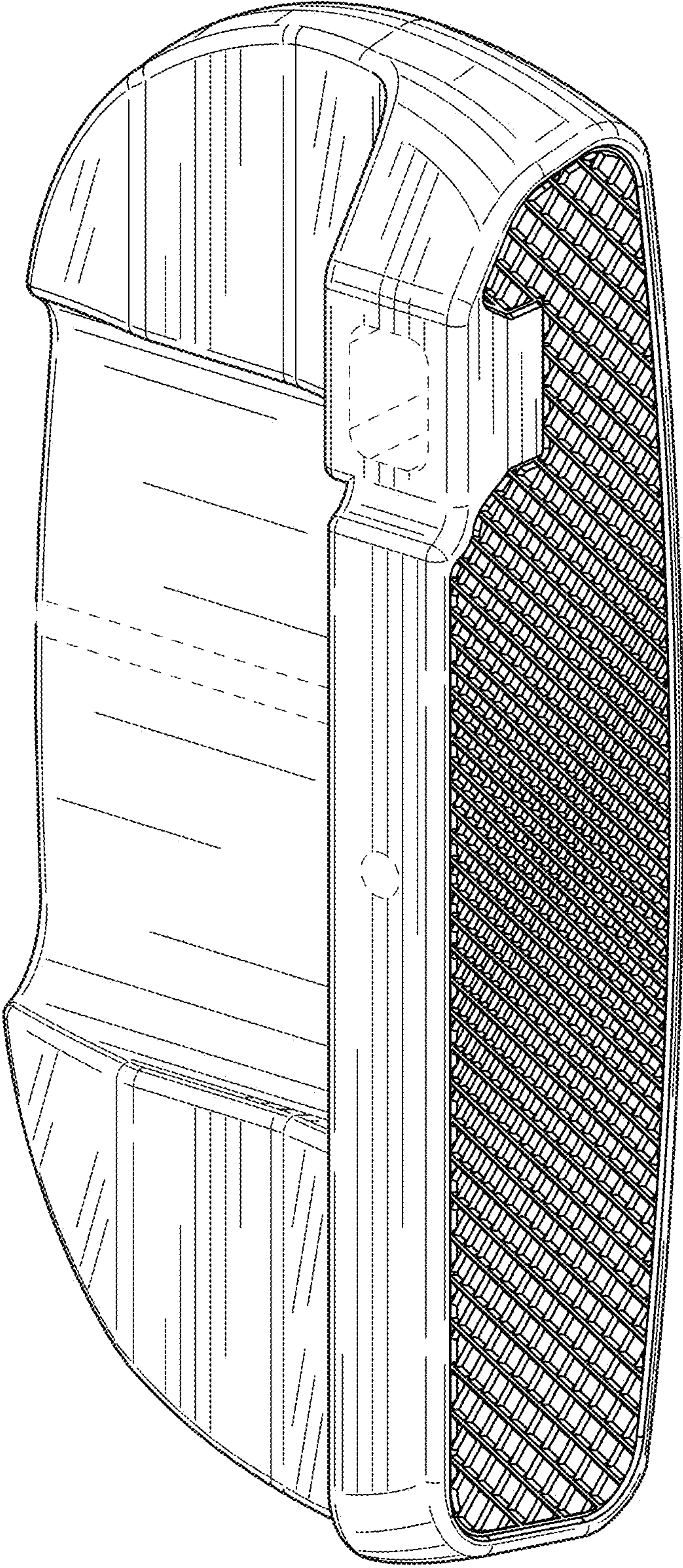


FIG. 9

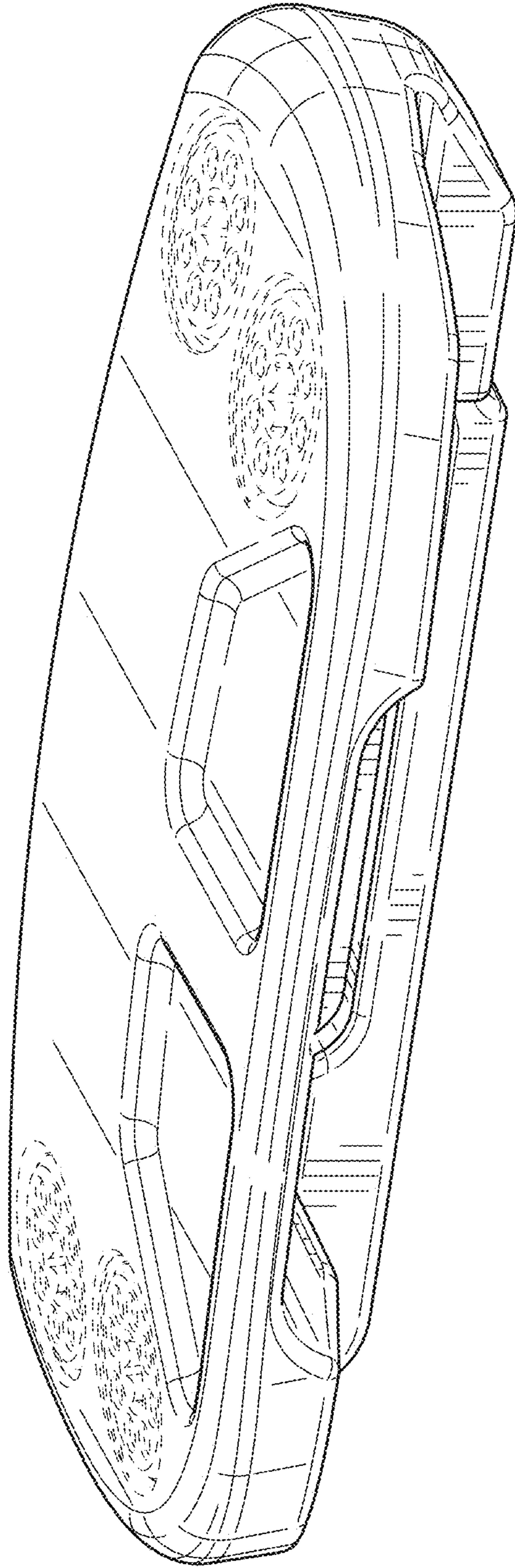


FIG. 10

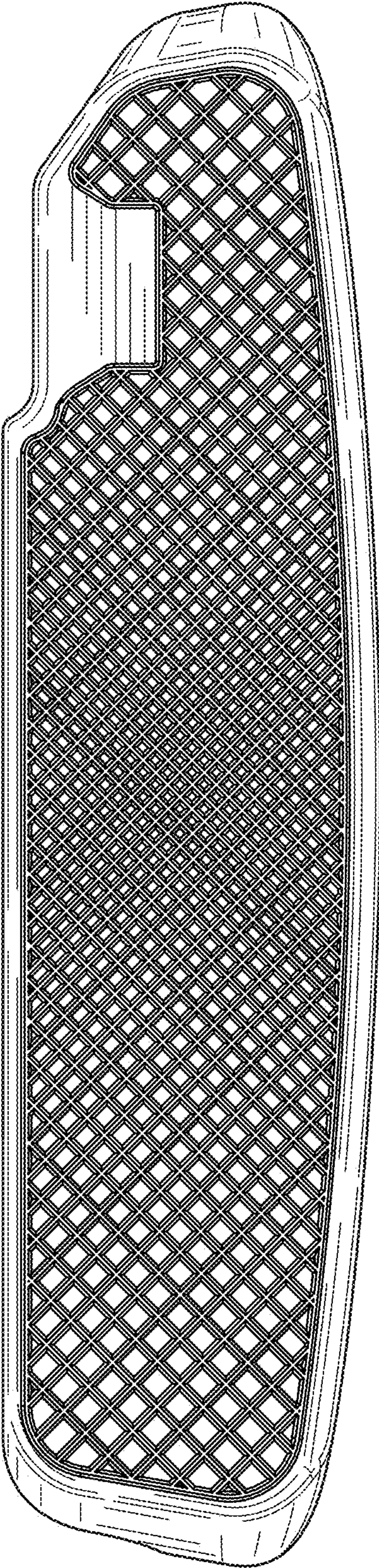


FIG. 11

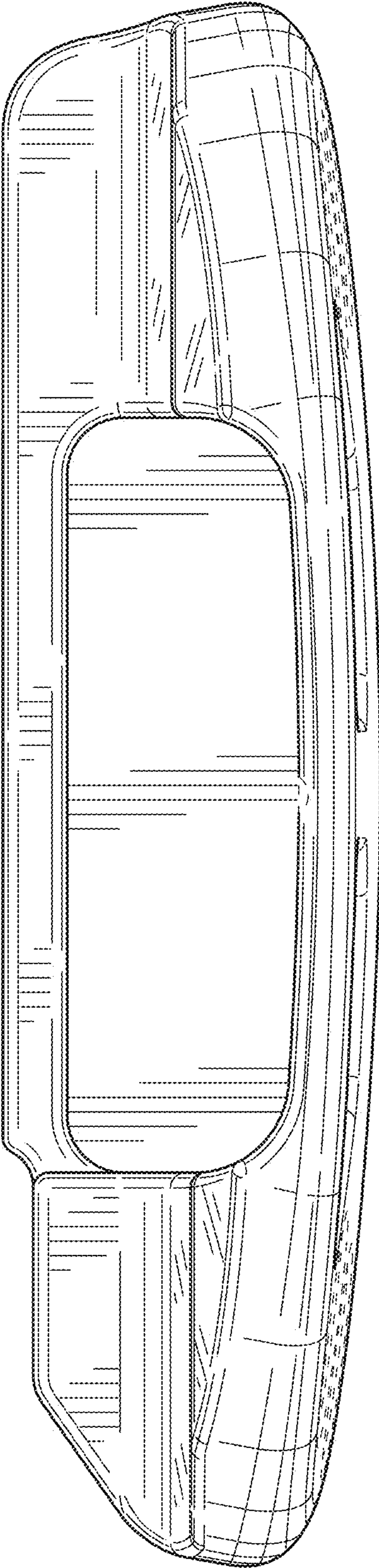


FIG. 12

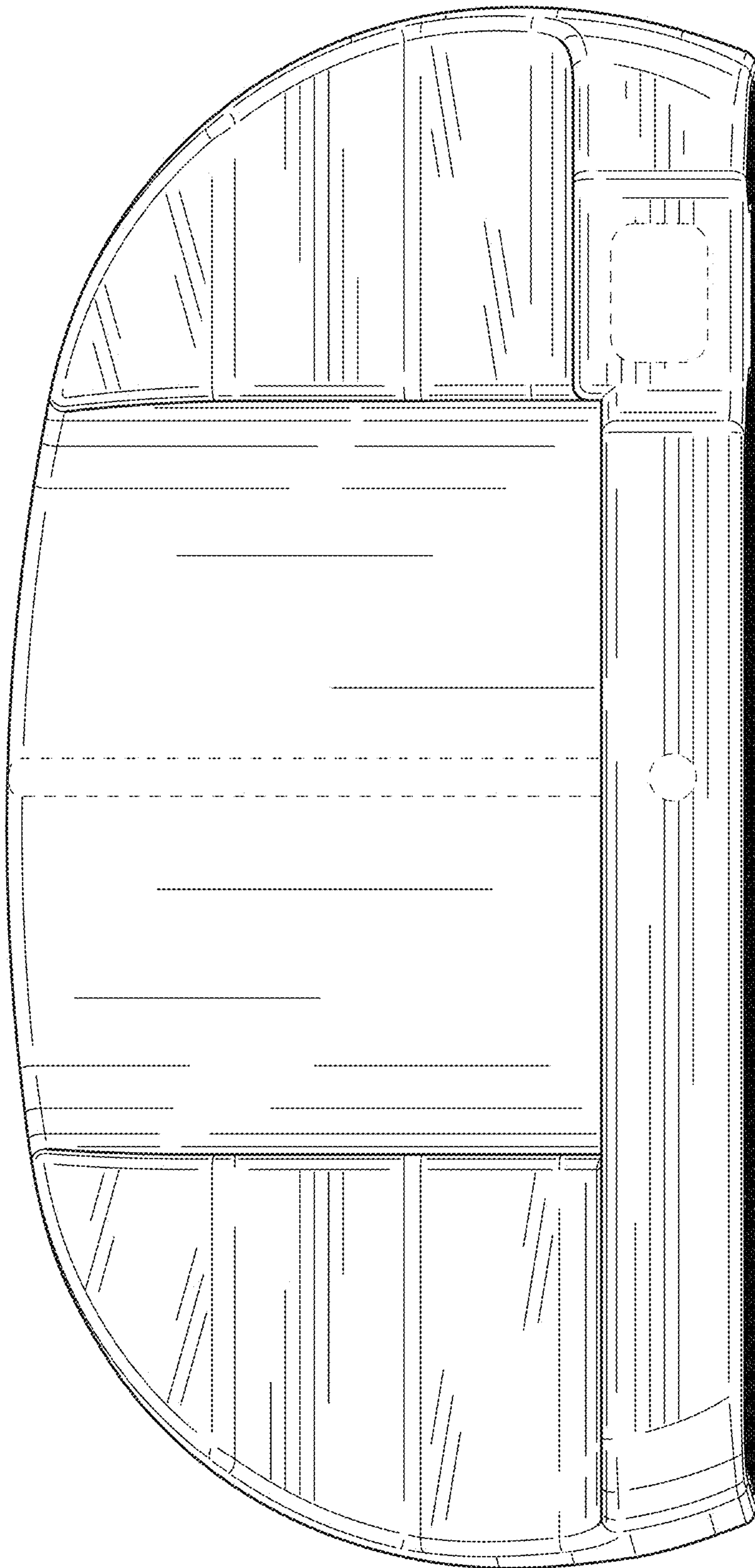


FIG. 13

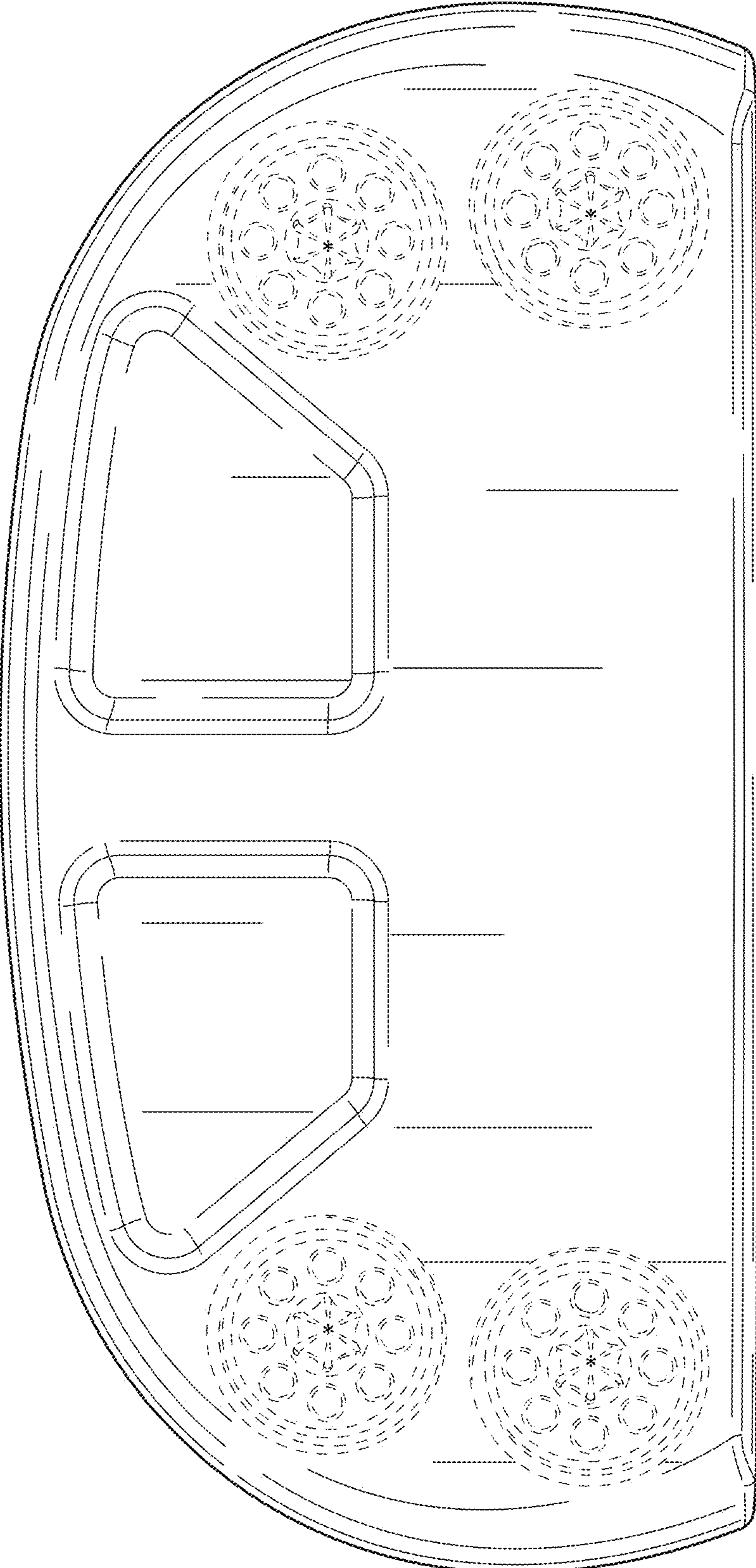


FIG. 14

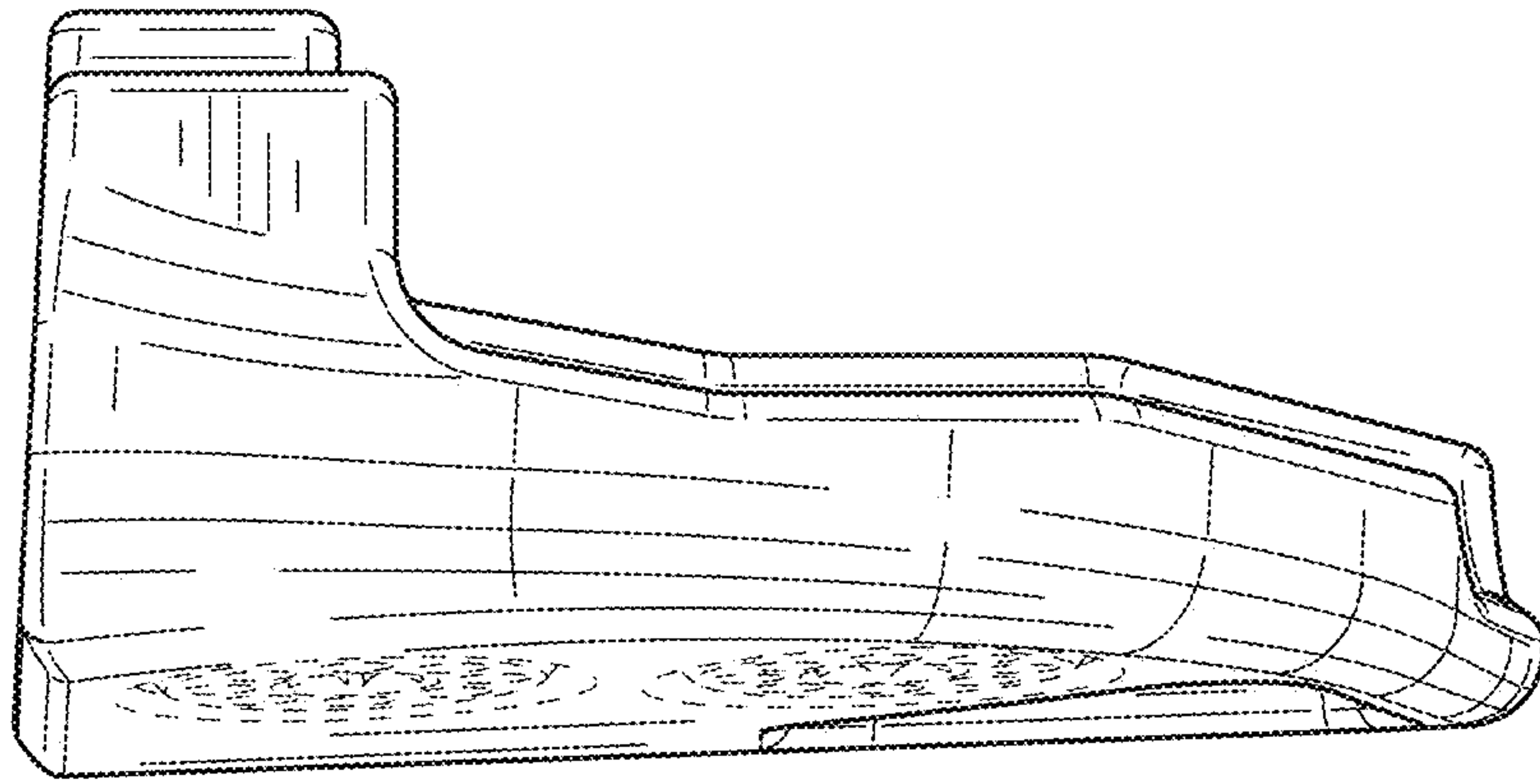


FIG. 15

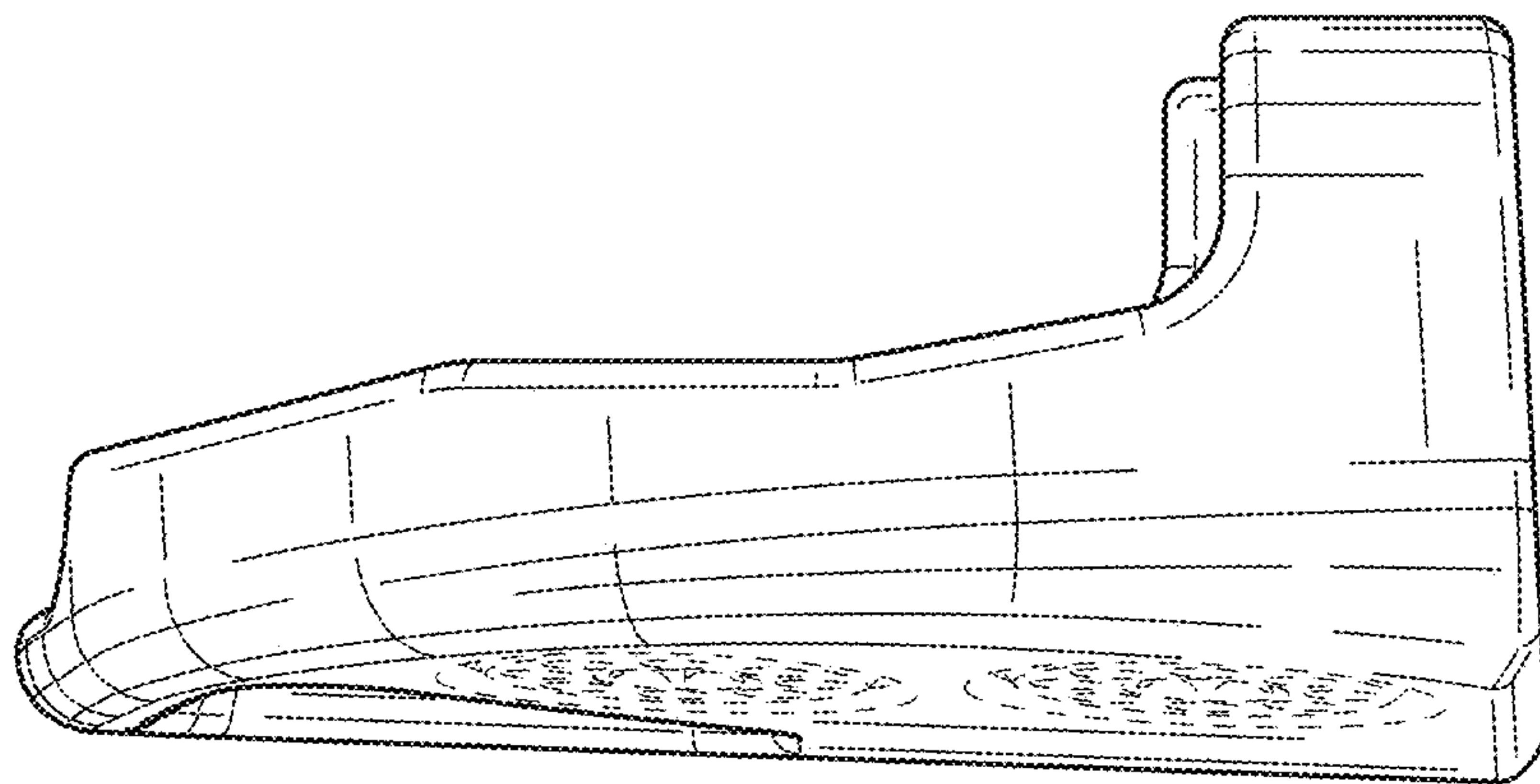


FIG. 16

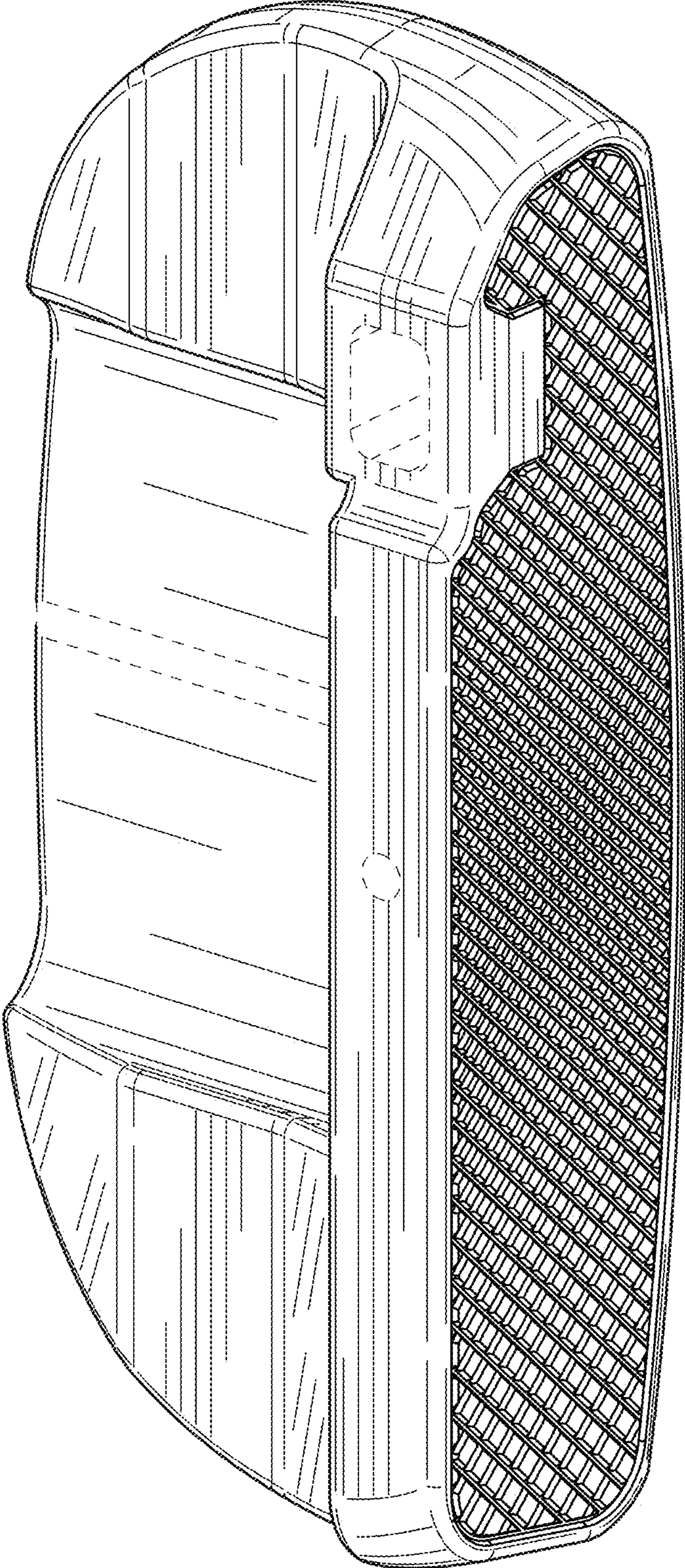


FIG. 17

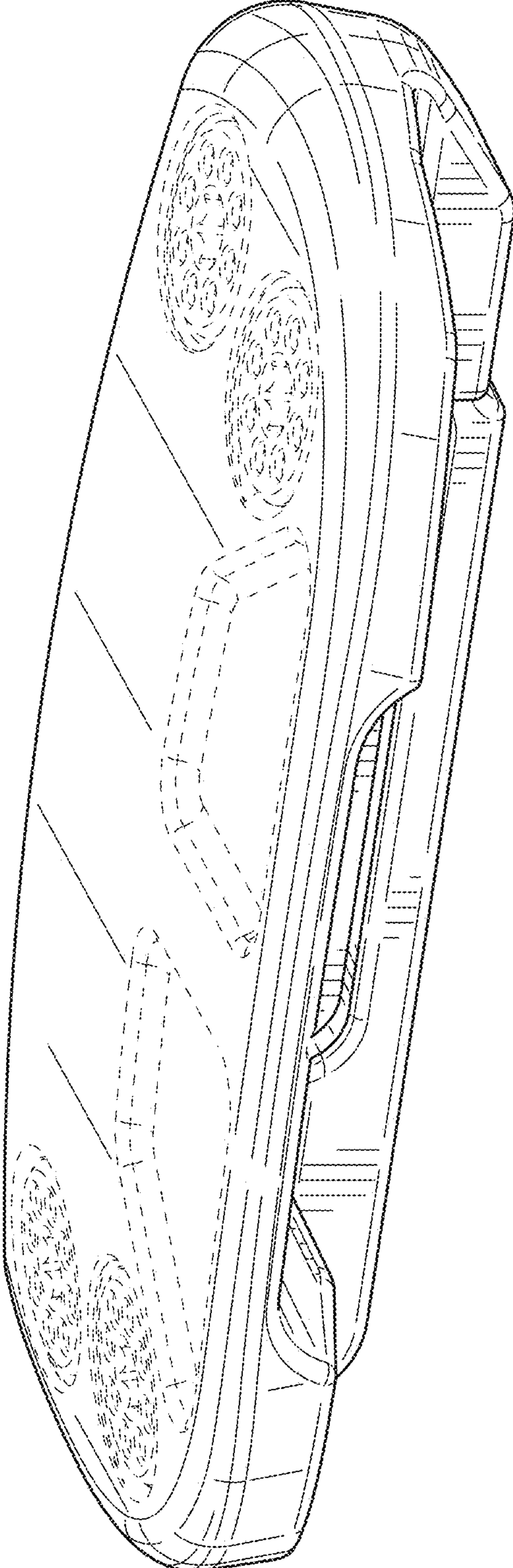


FIG. 18

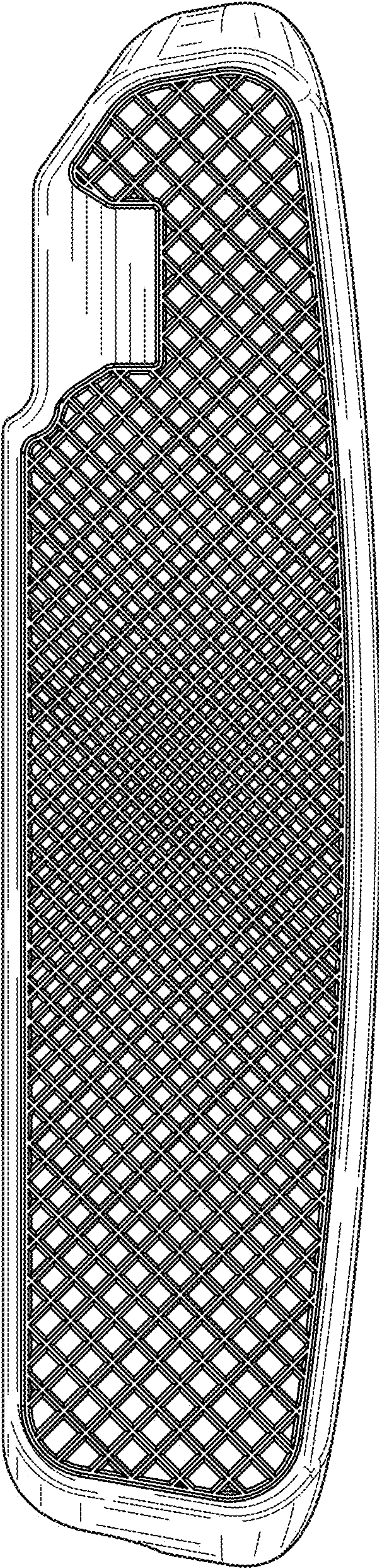


FIG. 19

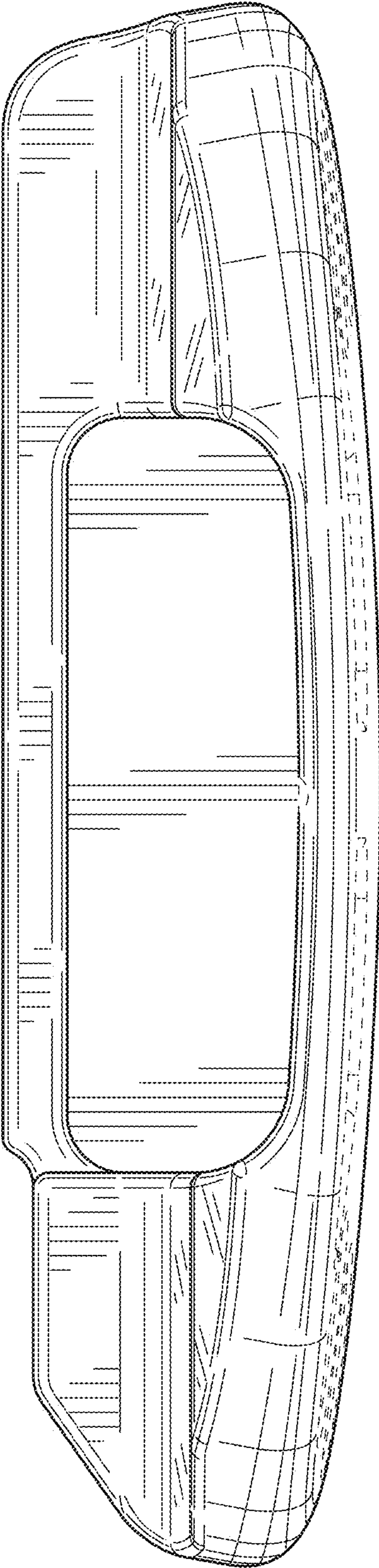


FIG. 20

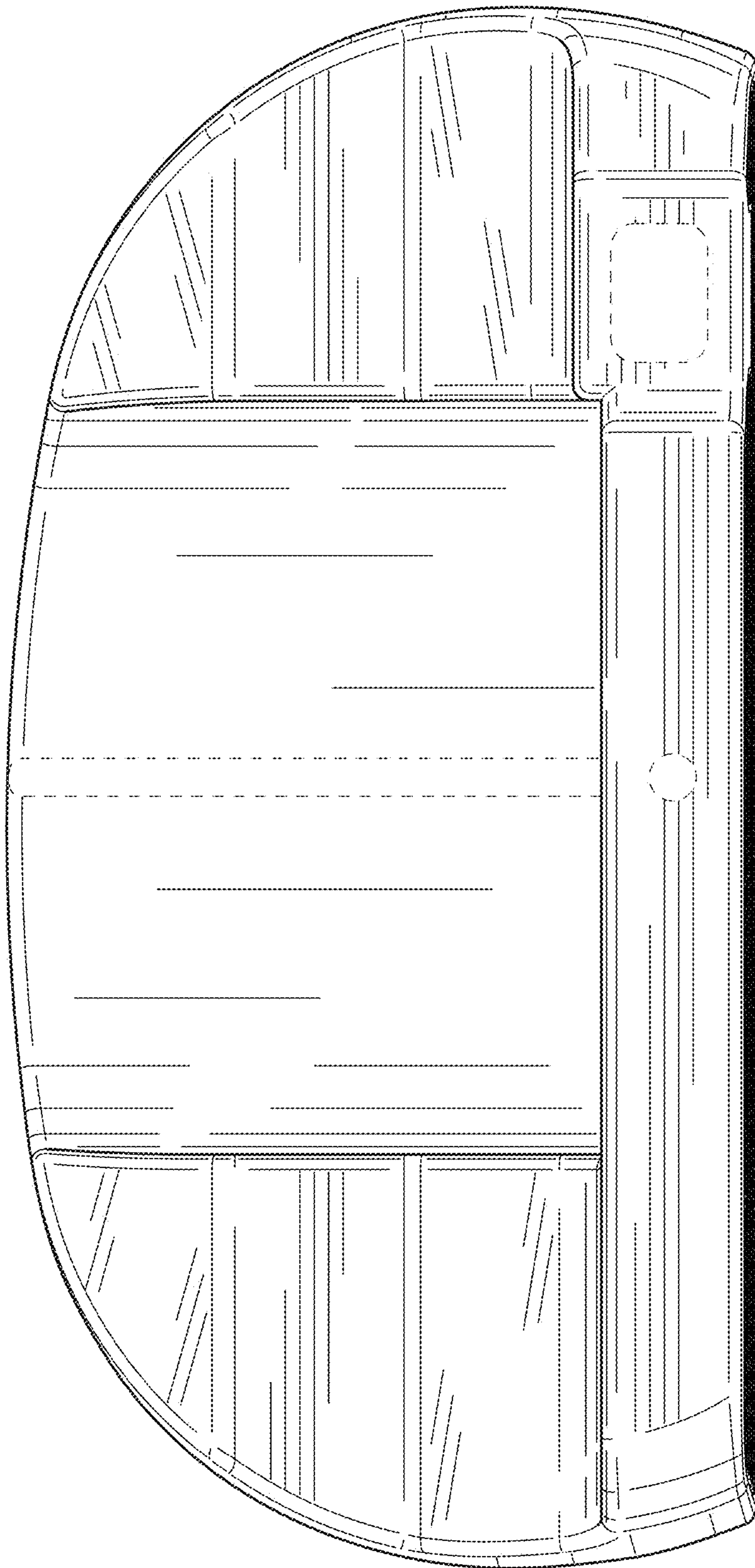


FIG. 21

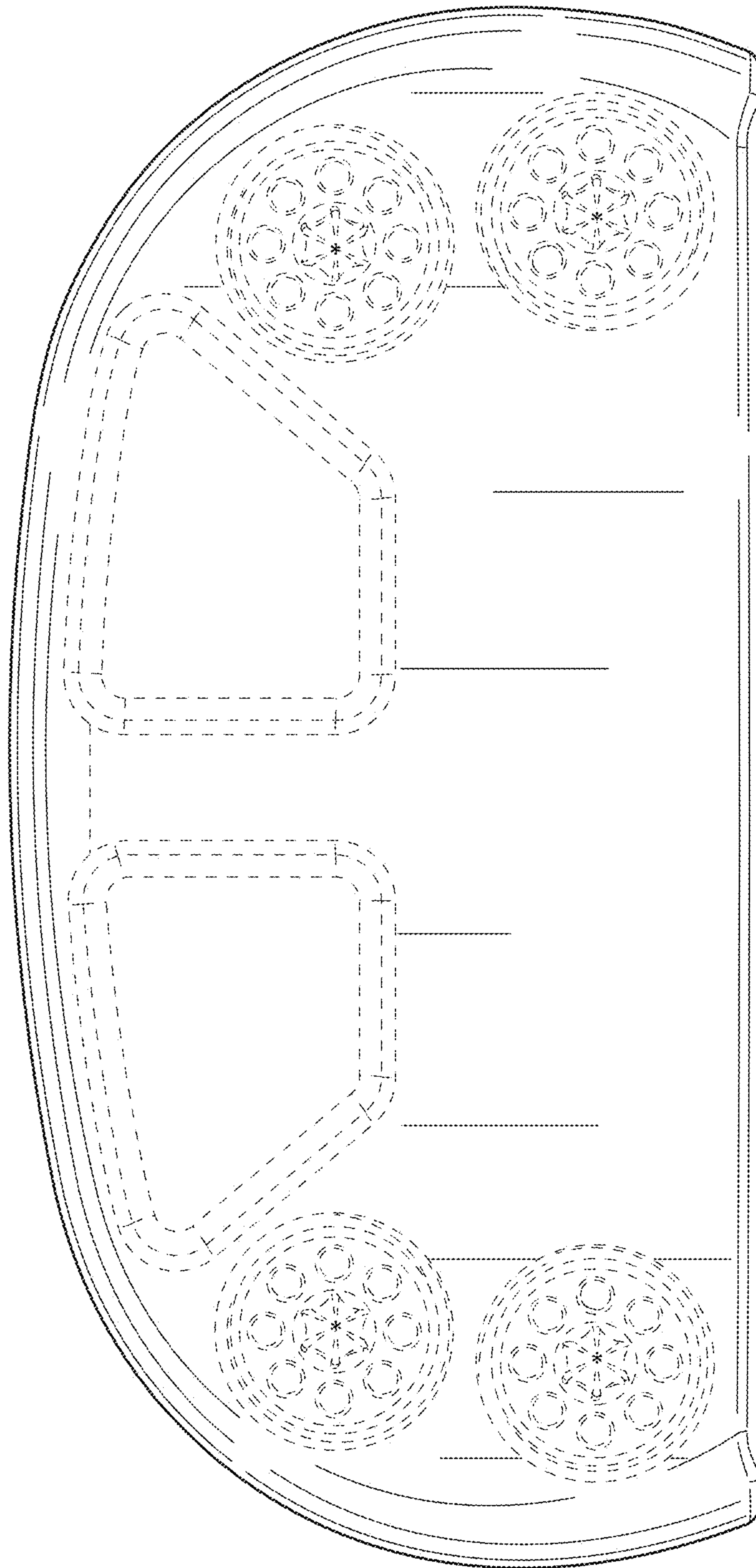


FIG. 22

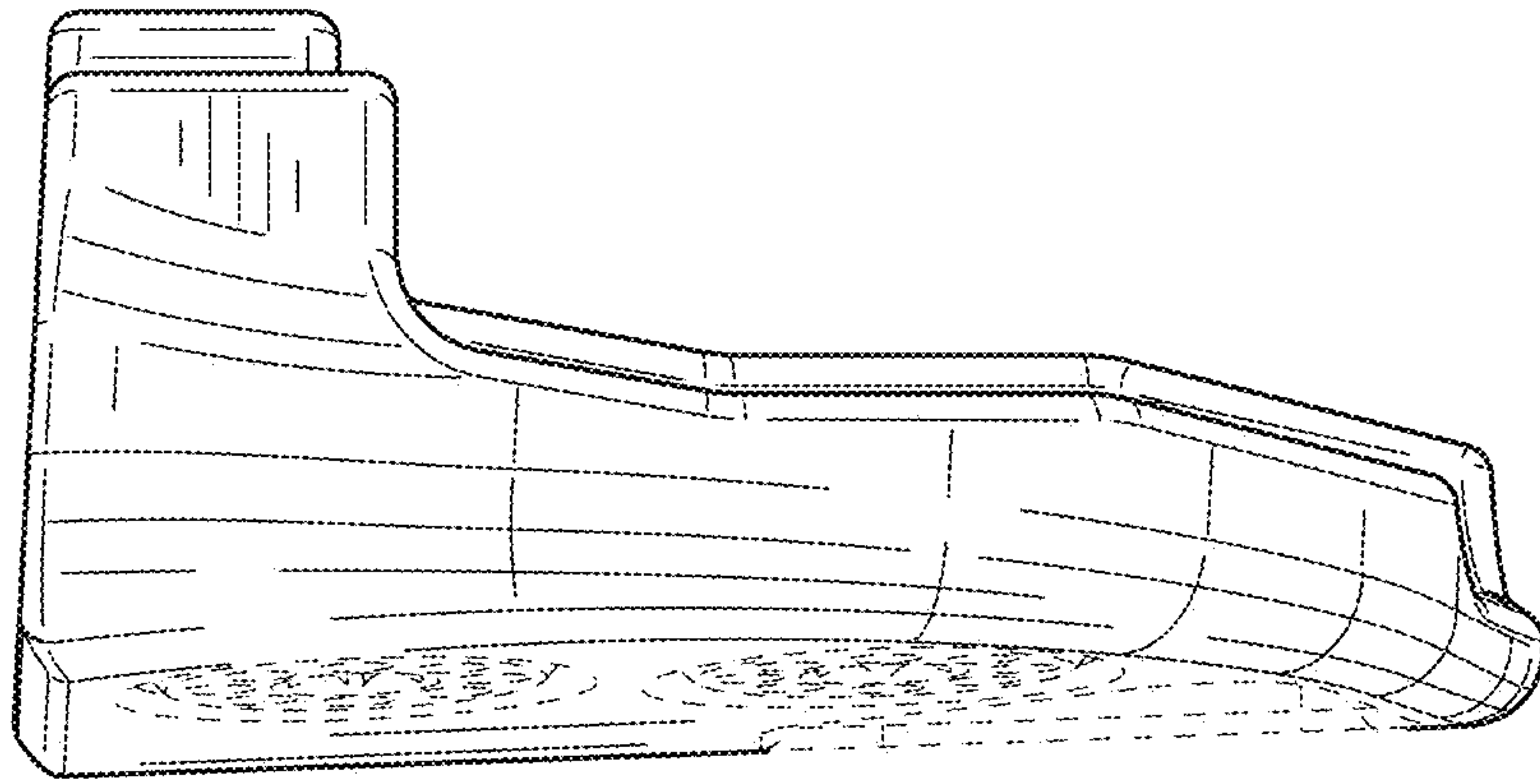


FIG. 23

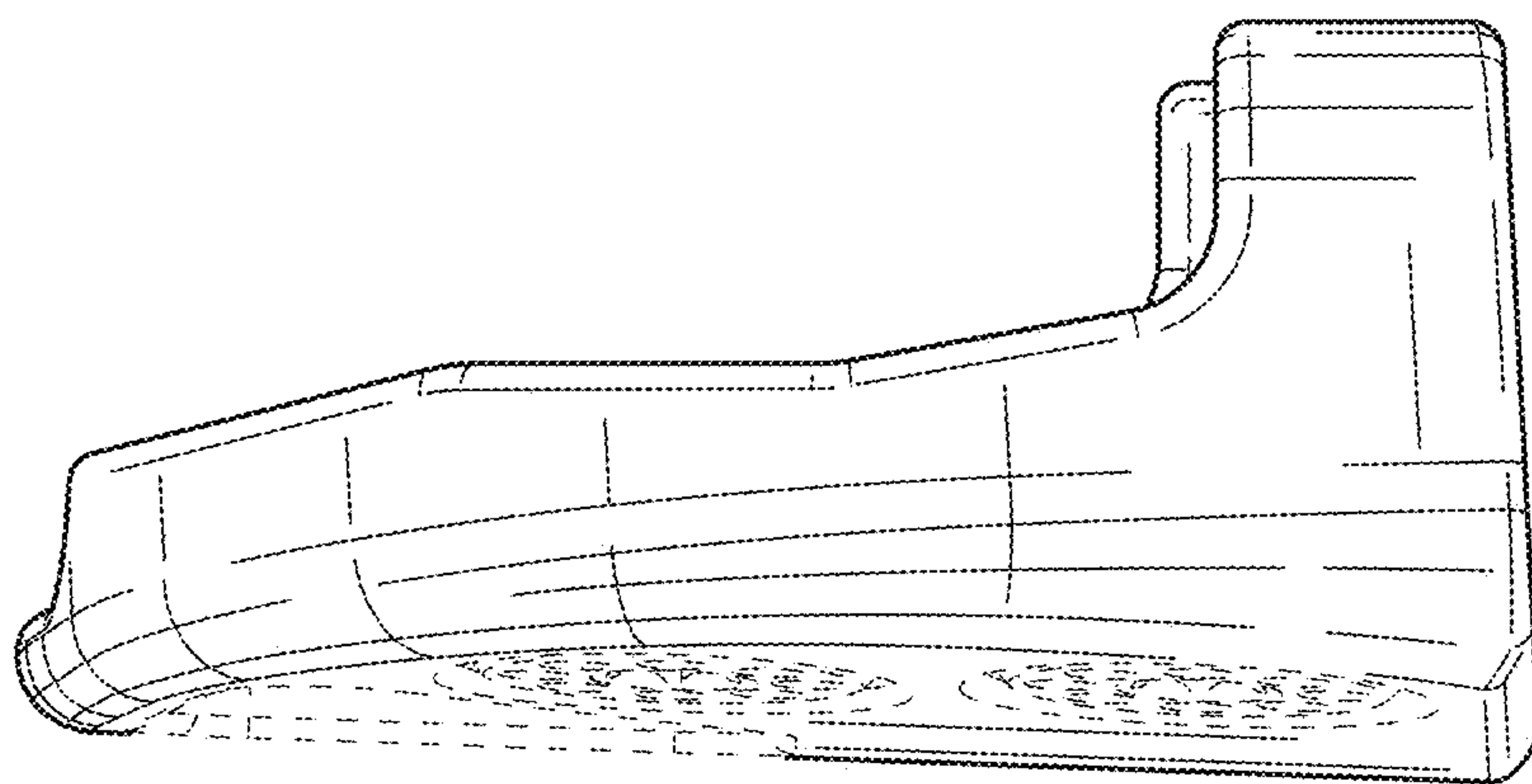


FIG. 24