



US00D923724S

(12) **United States Design Patent**
Fitzpatrick

(10) **Patent No.:** **US D923,724 S**

(45) **Date of Patent:** **** Jun. 29, 2021**

(54) **DOLL TOY**

(71) Applicant: **Spin Master Ltd.**, Toronto (CA)

(72) Inventor: **Marlene Fitzpatrick**, Monrovia, CA
(US)

(73) Assignee: **SPIN MASTER LTD.**, Toronto (CA)

(**) Term: **15 Years**

(21) Appl. No.: **29/719,060**

(22) Filed: **Dec. 31, 2019**

(51) **LOC (13) Cl.** **21-01**

(52) **U.S. Cl.**

USPC **D21/579**; D21/621; D21/649

(58) **Field of Classification Search**

USPC D11/3, 5, 6, 11; D21/579, 593, 594, 621,
D21/627, 630, 645, 649

CPC A63H 3/02; A63H 3/10

See application file for complete search history.

(56) **References Cited**

U.S. PATENT DOCUMENTS

434,302 A	8/1890	Senner	
878,123 A	2/1908	Costello	
1,325,651 A	12/1919	Pajeau	
2,942,318 A	6/1960	Stafford	
3,190,086 A	6/1965	Klein	
3,526,103 A *	9/1970	Lieber	A44C 25/00 63/23
3,597,872 A	8/1971	Vennola et al.	
3,745,694 A	7/1973	Vennola	
3,983,716 A	10/1976	Kuhn	
4,305,582 A	12/1981	Barton	
4,362,031 A	12/1982	Obermuller	
4,581,904 A	4/1986	Lehmann et al.	
4,630,762 A *	12/1986	Stringer	A47F 8/02 223/66
4,722,712 A	2/1988	McKenna	
4,738,649 A	4/1988	Berndt	
4,879,882 A	11/1989	Johnson et al.	

D307,041 S *	4/1990	Canavesi	D21/578
D308,553 S *	6/1990	Canavesi	D21/578
D315,761 S *	3/1991	Graham	D21/621
4,997,375 A	3/1991	Heinz	
5,302,148 A	4/1994	Heinz	
D353,856 S *	12/1994	Ryaa	D21/621
D366,076 S *	1/1996	Pedersen	D21/621
5,906,846 A	5/1999	Coleman et al.	
D422,324 S *	4/2000	Bush	D21/621
D442,649 S *	5/2001	Galvan	D21/621

(Continued)

FOREIGN PATENT DOCUMENTS

WO WO2005076901 A2 8/2005

OTHER PUBLICATIONS

“Spinmaster Spark Club” Jan. 10, 2019, site visited Feb. 12, 2021:
<https://www.instagram.com/p/BseBIUmA3BB/> (Year: 2019).*

Primary Examiner — Michael C Stout

Assistant Examiner — Melvin L Davis

(74) *Attorney, Agent, or Firm* — Millman IP Inc.

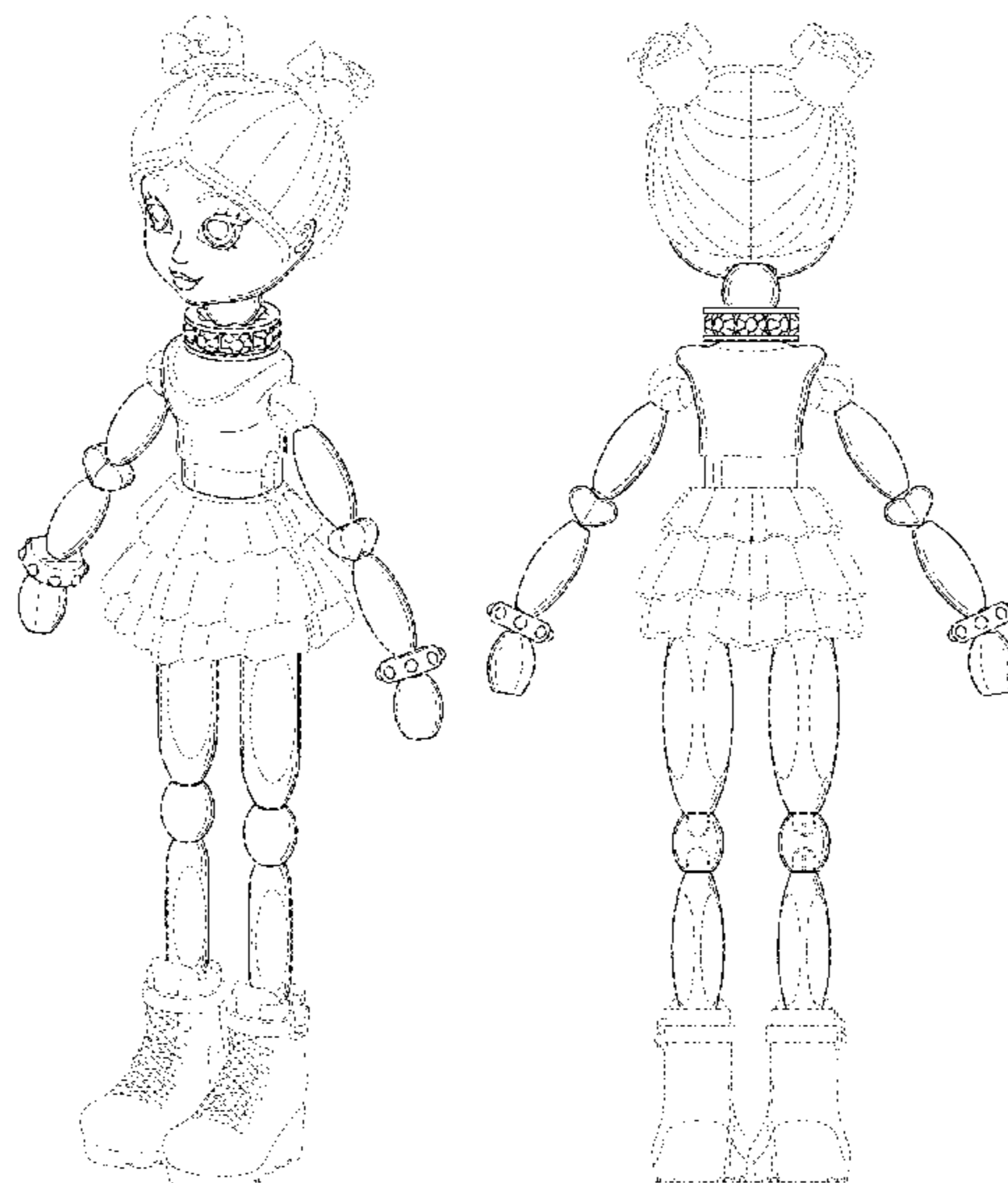
(57) **CLAIM**

The ornamental design for a doll toy, as shown and described.

DESCRIPTION

FIG. 1 is a perspective view from above, to the front and the left side of the new design for a doll toy; FIG. 2 is a front elevation view thereof; FIG. 3 is a rear elevation view thereof; FIG. 4 is a left side elevation view thereof; FIG. 5 is a right side elevation view thereof; FIG. 6 is a top plan view thereof; and, FIG. 7 is a bottom plan view thereof. In the drawings, the broken lines are for the purpose of illustrating portions of the article that form no part of the claimed design.

1 Claim, 7 Drawing Sheets



(56)

References Cited

U.S. PATENT DOCUMENTS

6,241,572	B1	6/2001	Braginsky	
6,264,522	B1	7/2001	Dickson	
D453,199	S *	1/2002	Sawai	D21/578
6,442,972	B1 *	9/2002	Watson	A44C 13/00 63/23
6,482,063	B1	11/2002	Frigard	
6,789,395	B2	9/2004	Molino et al.	
6,880,364	B1 *	4/2005	Vidolin	A44C 5/025 40/633
7,354,330	B2	4/2008	Bentley, Jr.	
7,540,172	B2 *	6/2009	Julkowski	A44C 5/0053 63/3
D641,808	S *	7/2011	Matsuda	D21/578
10,575,604	B2 *	3/2020	Kimbrough	A44C 15/001
2010/0221975	A1	9/2010	Kimbrough	
2012/0324946	A1	12/2012	Latouf	

* cited by examiner

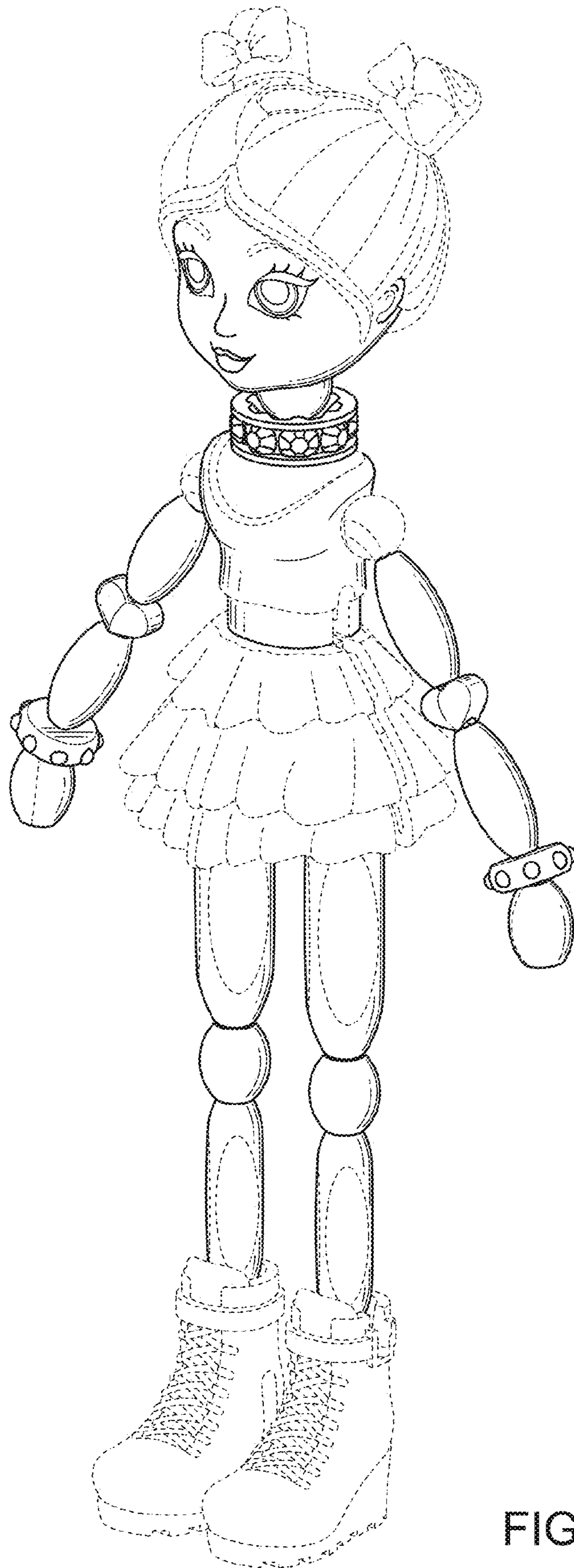


FIG. 1

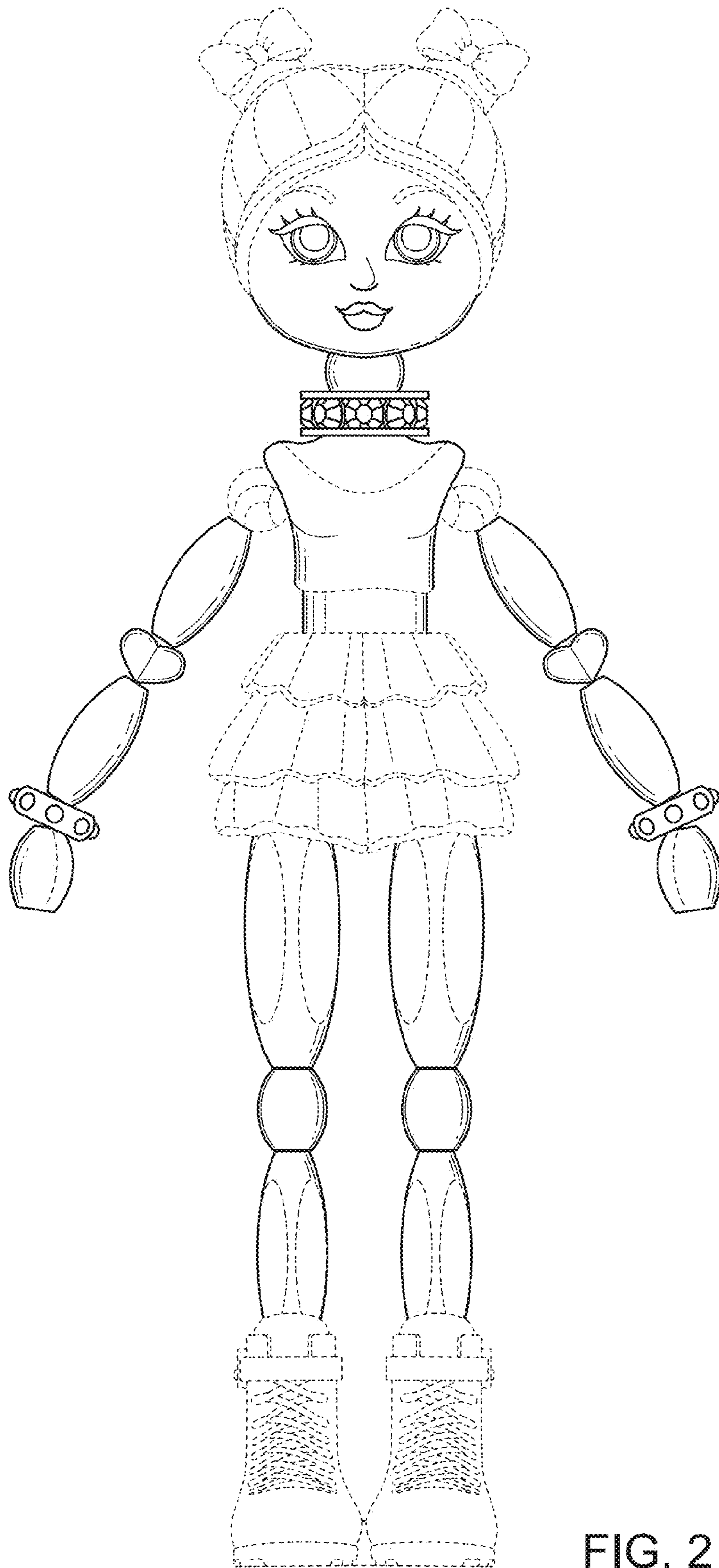


FIG. 2

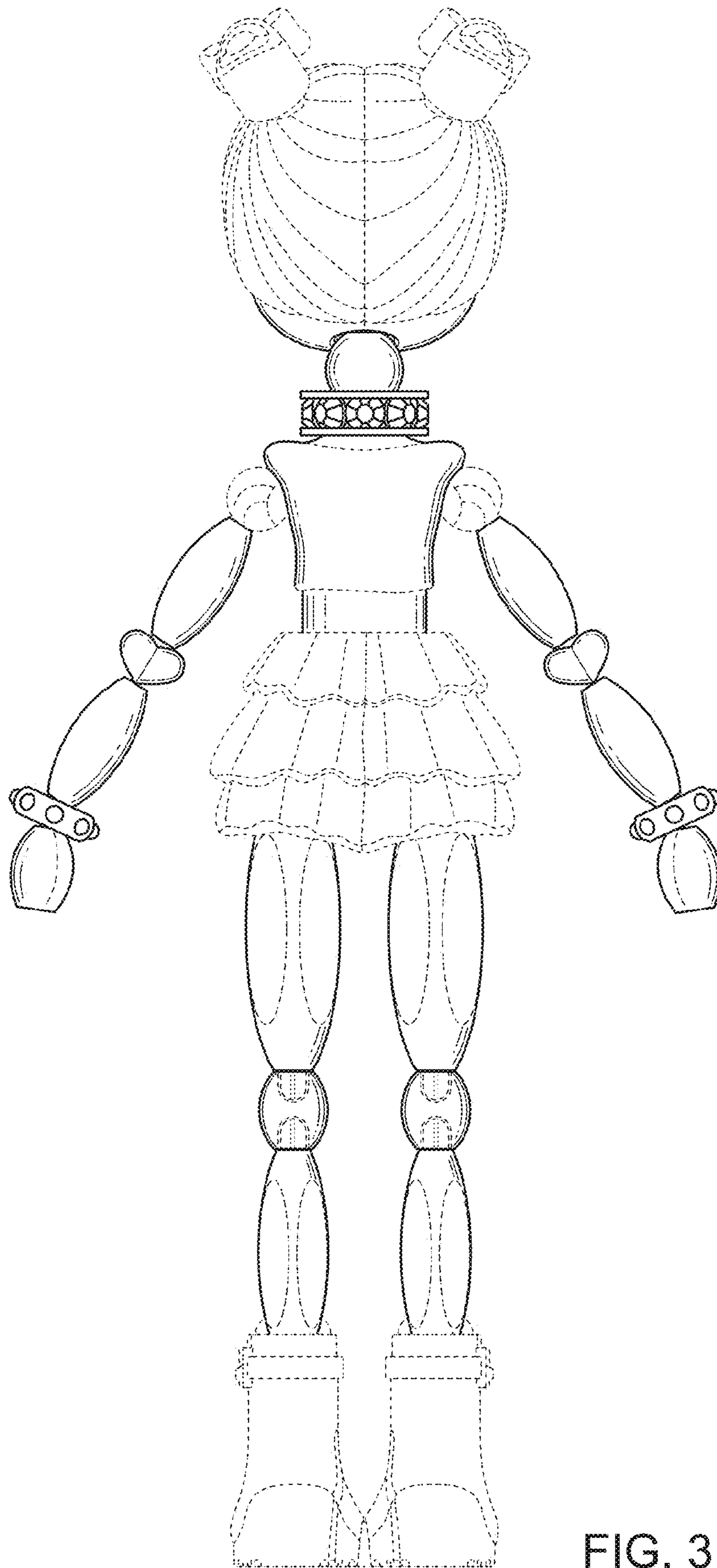


FIG. 3

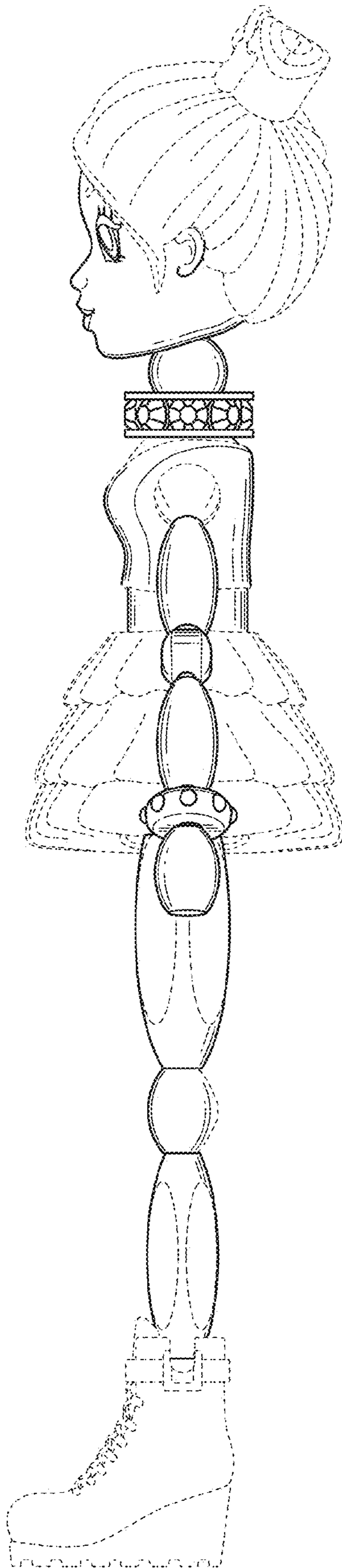


FIG. 4

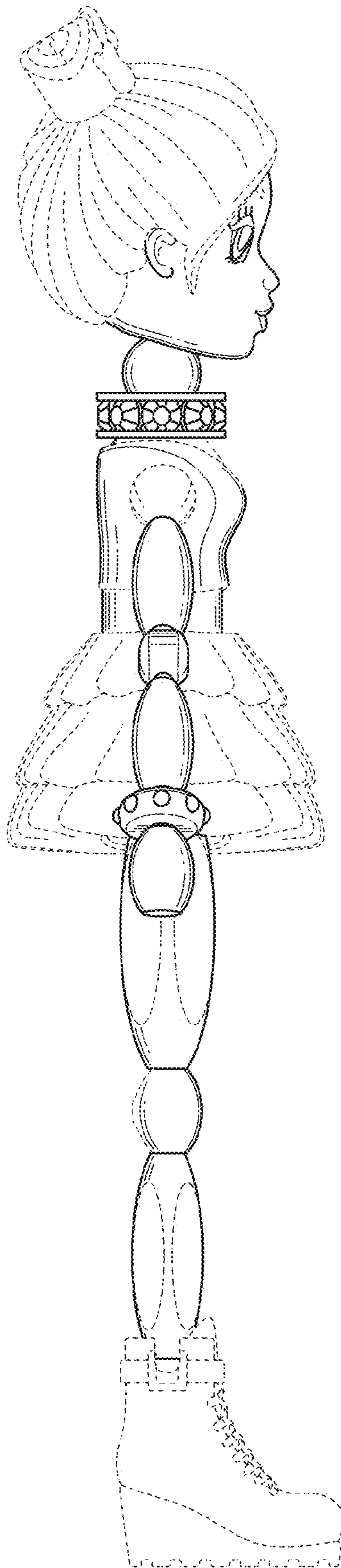


FIG. 5

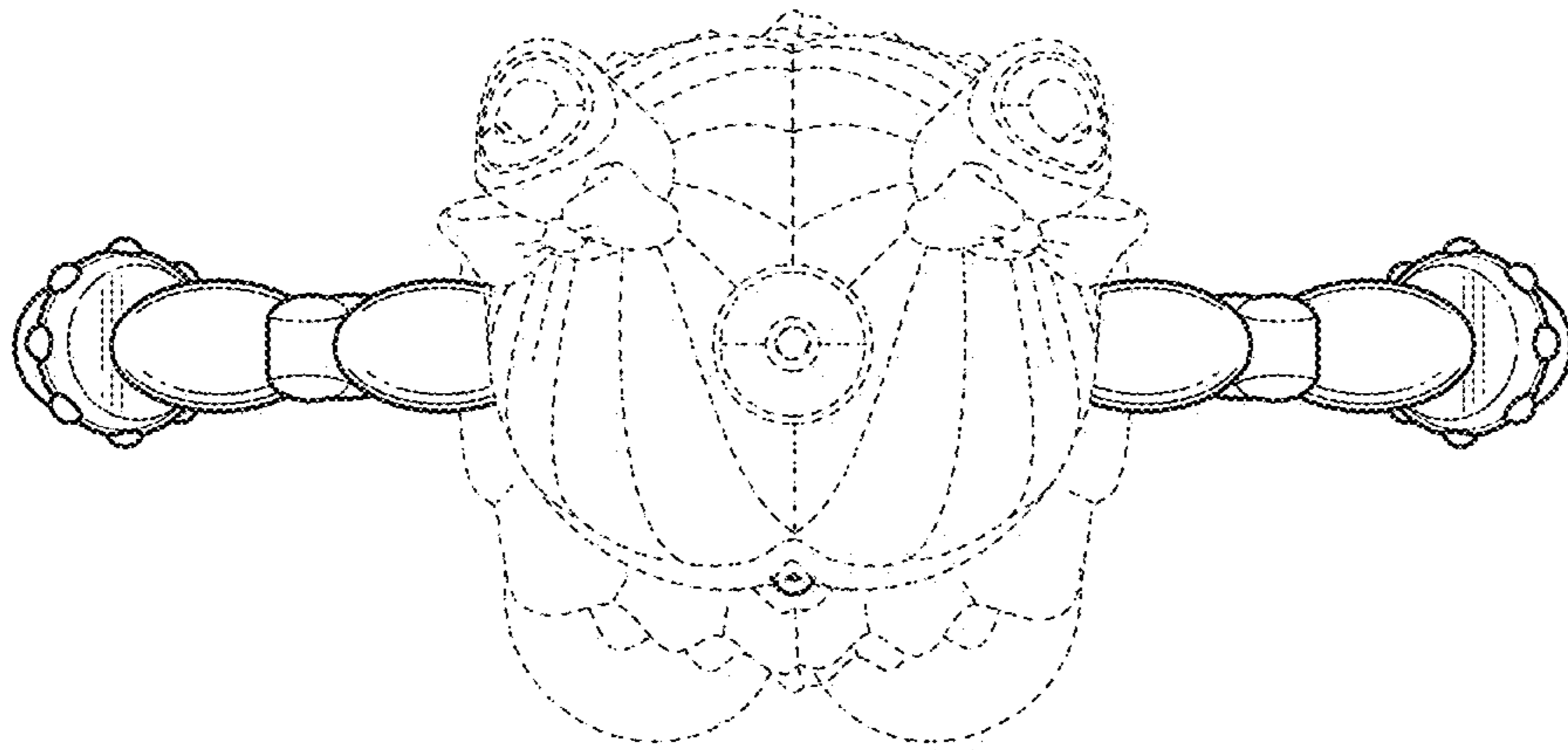


FIG. 6

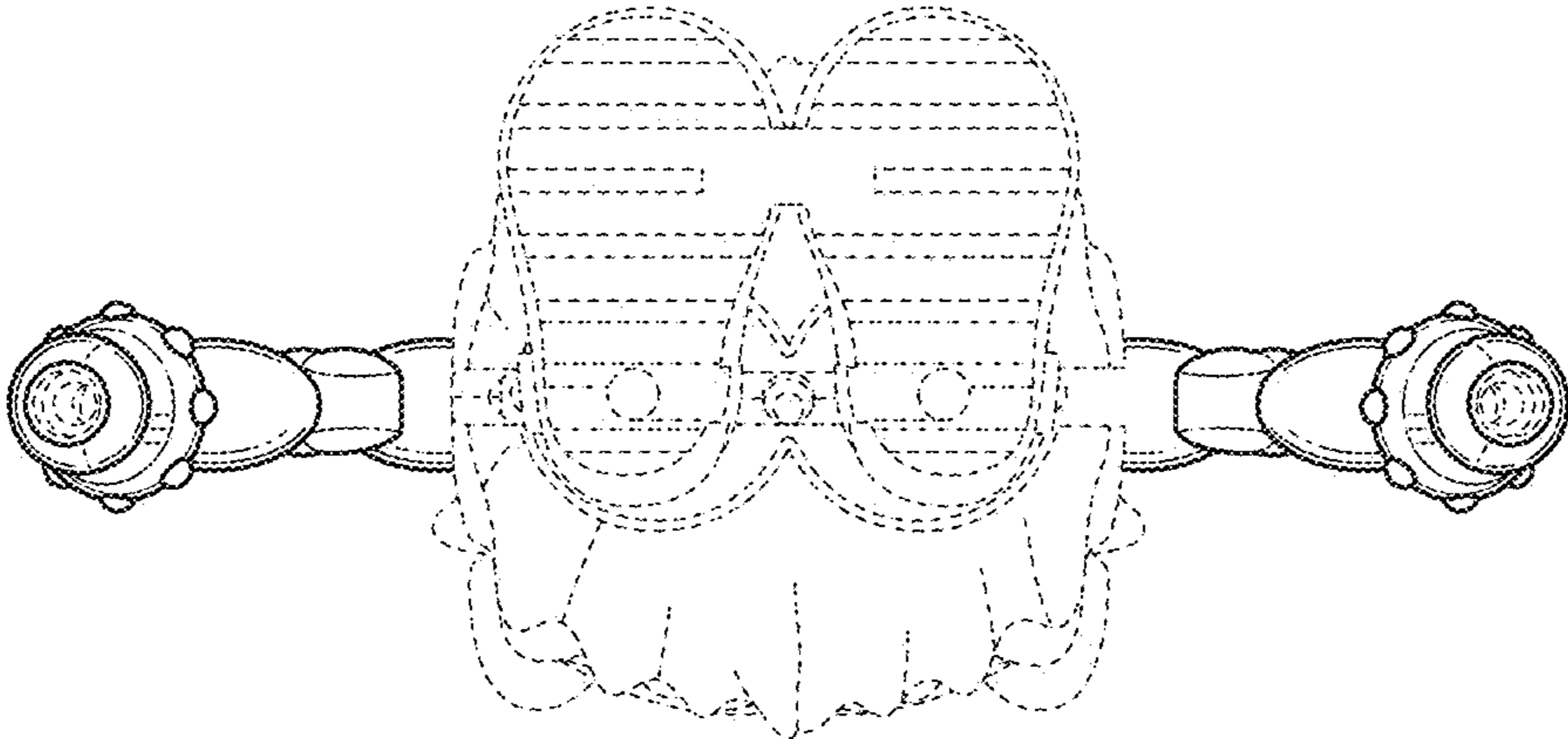


FIG. 7