



US00D923721S

(12) **United States Design Patent** (10) **Patent No.:** **US D923,721 S**
Chen (45) **Date of Patent:** **** Jun. 29, 2021**

(54) **TOY CAR**

FOREIGN PATENT DOCUMENTS

(71) Applicant: **Huanqun Chen**, Shantou (CN)

CN 305561569 * 1/2020

(72) Inventor: **Huanqun Chen**, Shantou (CN)

CN 305561571 * 1/2020

CN 305949411 * 7/2020

(**) Term: **15 Years**

OTHER PUBLICATIONS

(21) Appl. No.: **29/720,388**

RC Car 1_12 4WD Rock Crawlers 4x4 Drive Car Double Motors Drive, Tin-Eye Date Nov. 23, 2018 [Online], [Site Visited Dec. 16, 2020] Available From Internet, URL in PDF (Year: 2018).*

(22) Filed: **Jan. 13, 2020**

(30) **Foreign Application Priority Data**

Primary Examiner — Holly E Thurman

(74) *Attorney, Agent, or Firm* — ScienBiziP, P.C.

Dec. 11, 2019 (CN) 201930689782.8

(51) **LOC (13) Cl.** **21-01**

(52) **U.S. Cl.**
USPC **D21/533**

(58) **Field of Classification Search**
USPC D21/433, 434, 483, 533-562; D12/82, D12/86, 90, 92; 446/431, 471, 454-456
CPC B62D 25/00; B62D 35/00; A63H 17/262; A63H 17/00; A63H 17/395; A63H 17/38; A63H 17/26; A63H 17/28; A63H 17/004; A63H 29/22
See application file for complete search history.

(57) **CLAIM**

The ornamental design for a toy car, as shown and described.

(56) **References Cited**

DESCRIPTION

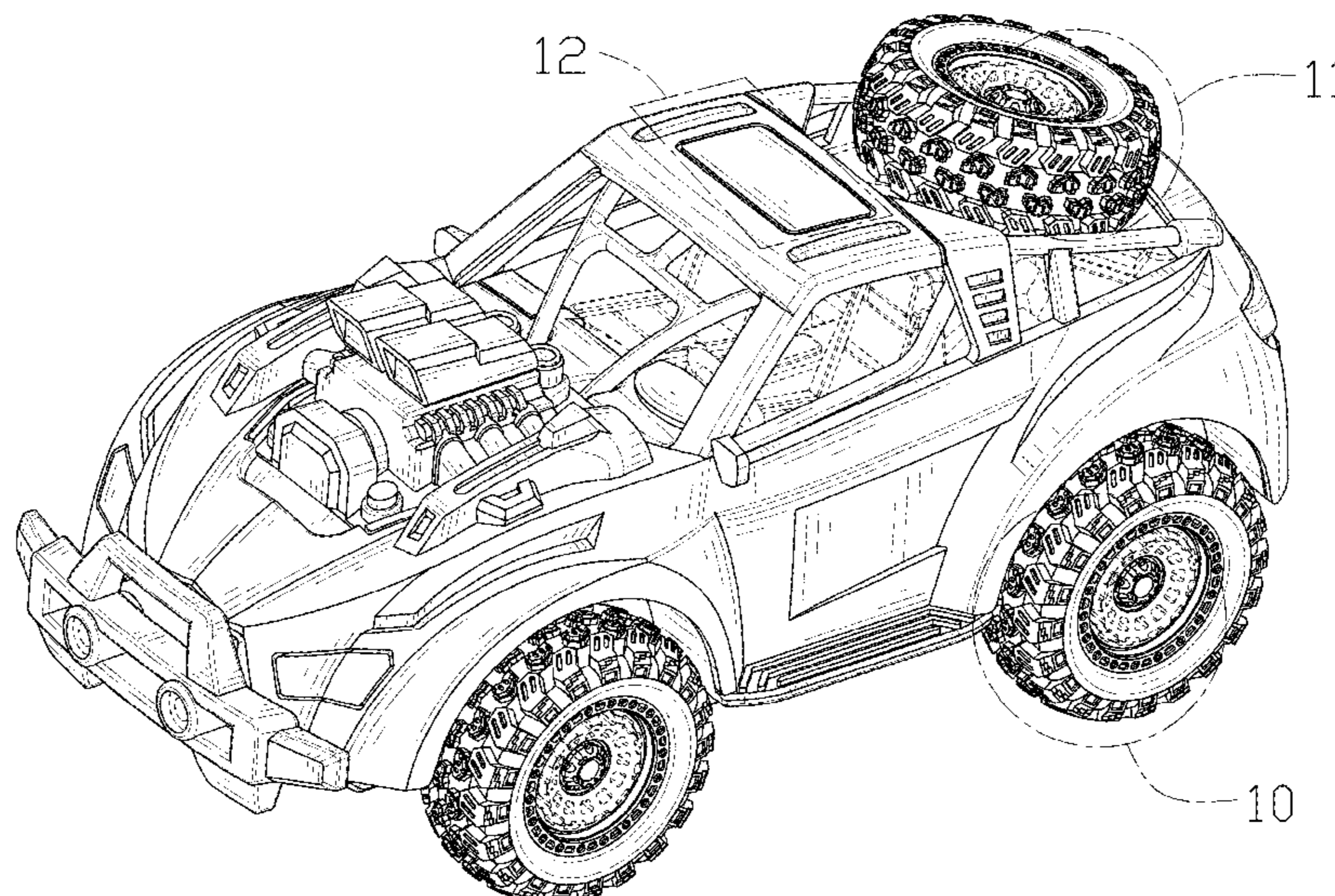
U.S. PATENT DOCUMENTS

D274,636 S * 7/1984 Terui D21/550
D308,707 S * 6/1990 Kamikawa D21/537
5,919,072 A * 7/1999 Pohlman A63H 17/002
446/120
D425,141 S * 5/2000 Park D21/550
D425,578 S * 5/2000 Choi D21/549
D524,876 S * 7/2006 Augustin D21/433
D536,397 S * 2/2007 Fine D21/551
D631,921 S * 2/2011 Simko D21/433
D690,372 S * 9/2013 Fujiwara D21/550
D710,255 S * 8/2014 Koehl D12/91
D827,037 S * 8/2018 Exley D21/433
D837,307 S * 1/2019 Jin D21/548

FIG. 1 is a front elevation view of a toy car, showing my design.
FIG. 2 is a rear elevation view thereof.
FIG. 3 is a left side elevation view thereof.
FIG. 4 is a right side elevation view thereof.
FIG. 5 is a top plan view thereof.
FIG. 6 is a bottom plan view thereof.
FIG. 7 is a top, front, left side perspective view thereof.
FIG. 8 is a bottom, rear, right side perspective view thereof.
FIG. 9 is a perspective view thereof, shown in a state that a front part of the toy car is opened.
FIG. 10 is an enlarged view of an area labeled 10 in FIG. 7.
FIG. 11 is an enlarged view of an area labeled 11 in FIG. 7; and,
FIG. 12 is an enlarged view of an area labeled 12 in FIG. 7.
The details shown in broken lines form no part of the claimed design.

(Continued)

1 Claim, 12 Drawing Sheets



(56)

References Cited

U.S. PATENT DOCUMENTS

D871,512 S * 12/2019 Cai D21/550
D897,453 S * 9/2020 Zhang D21/550
2002/0111118 A1* 8/2002 Klitsner A63H 17/395
446/484
2003/0228826 A1* 12/2003 Dougherty A63H 17/00
446/175
2006/0099882 A1* 5/2006 Eckerman A63H 29/22
446/436
2011/0212666 A1* 9/2011 Rehkemper A63F 9/16
446/376
2016/0038846 A1* 2/2016 Colquhoun A63H 17/262
446/465
2019/0300071 A1* 10/2019 St-Pierre B62D 25/087

* cited by examiner

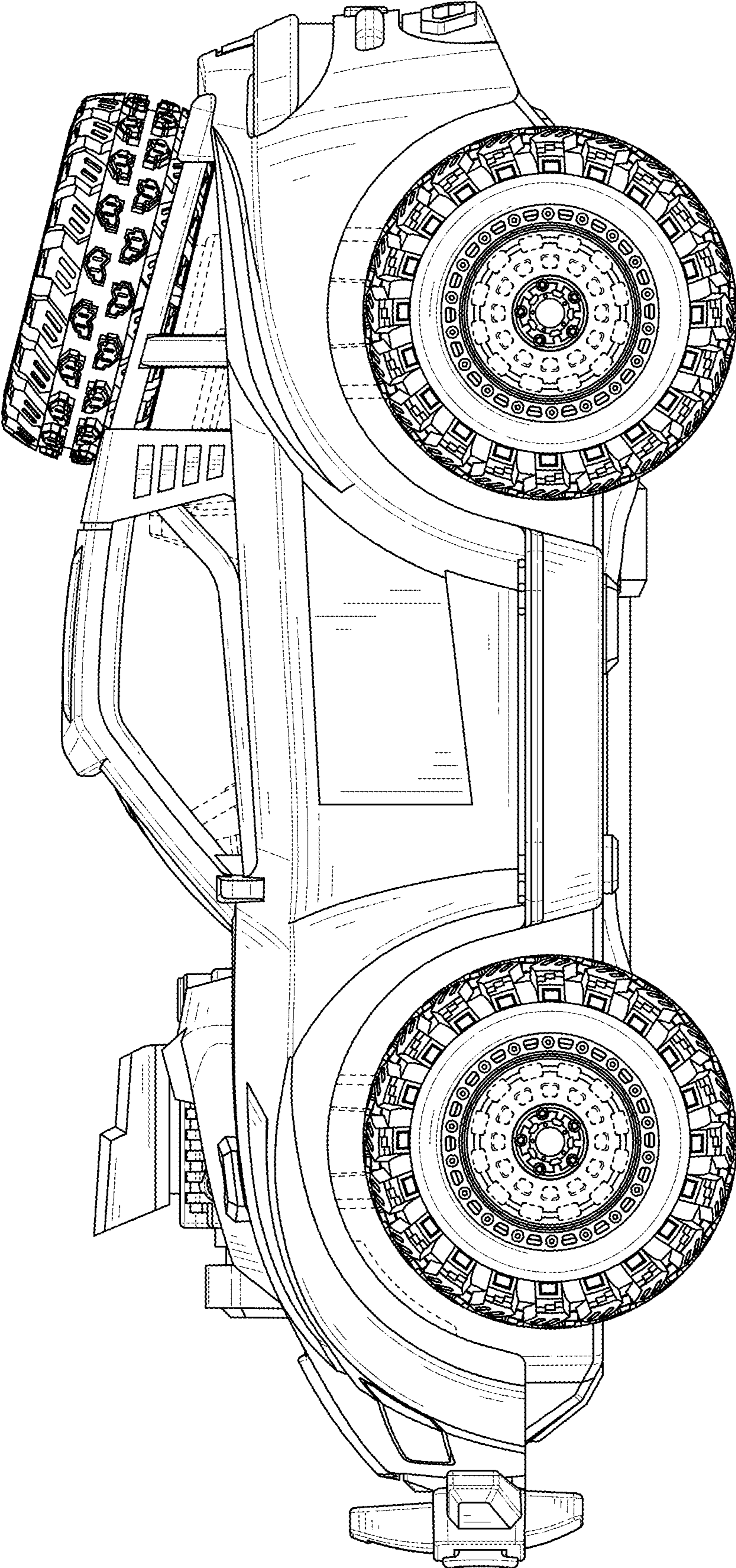


FIG. 1

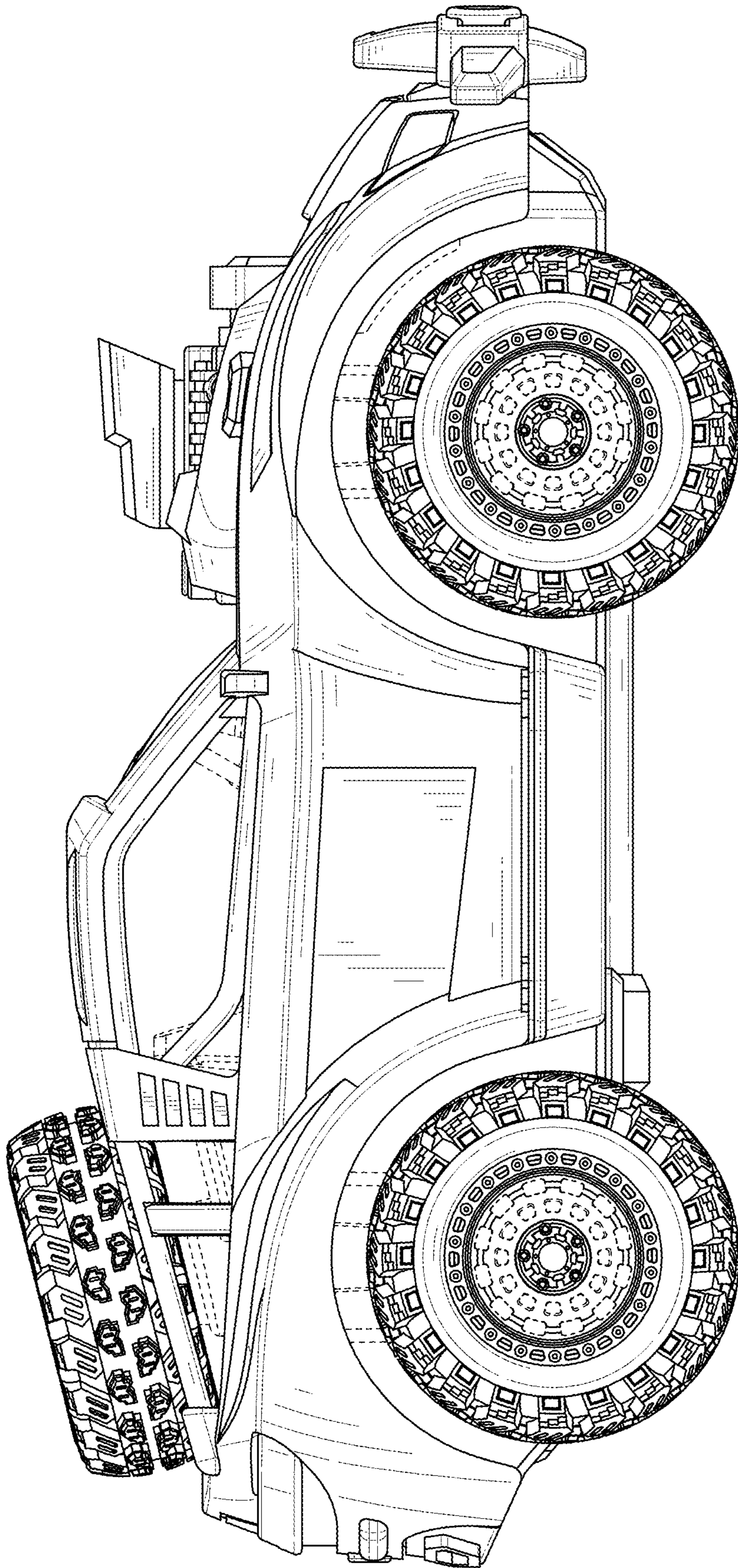


FIG. 2

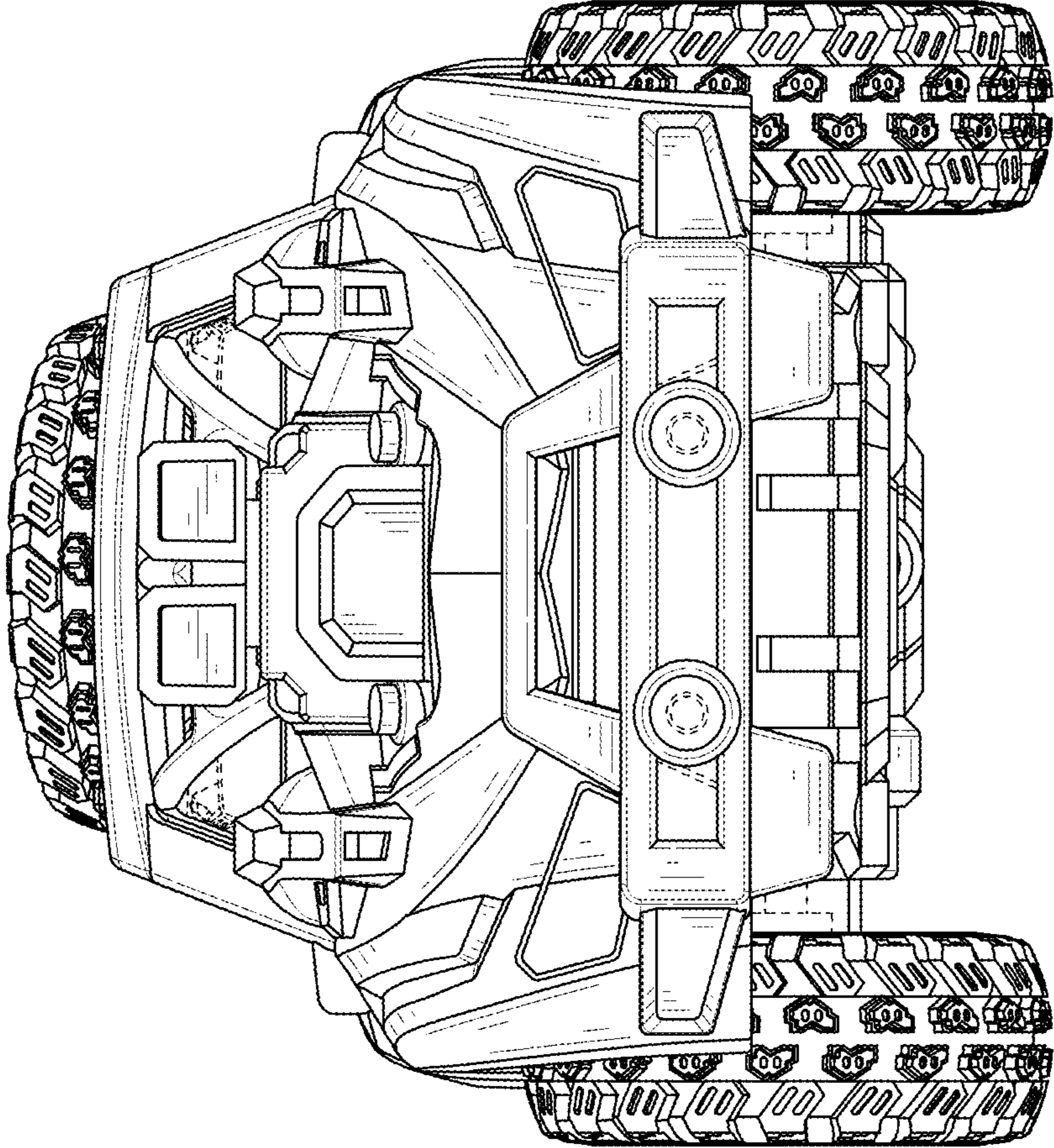


FIG. 3

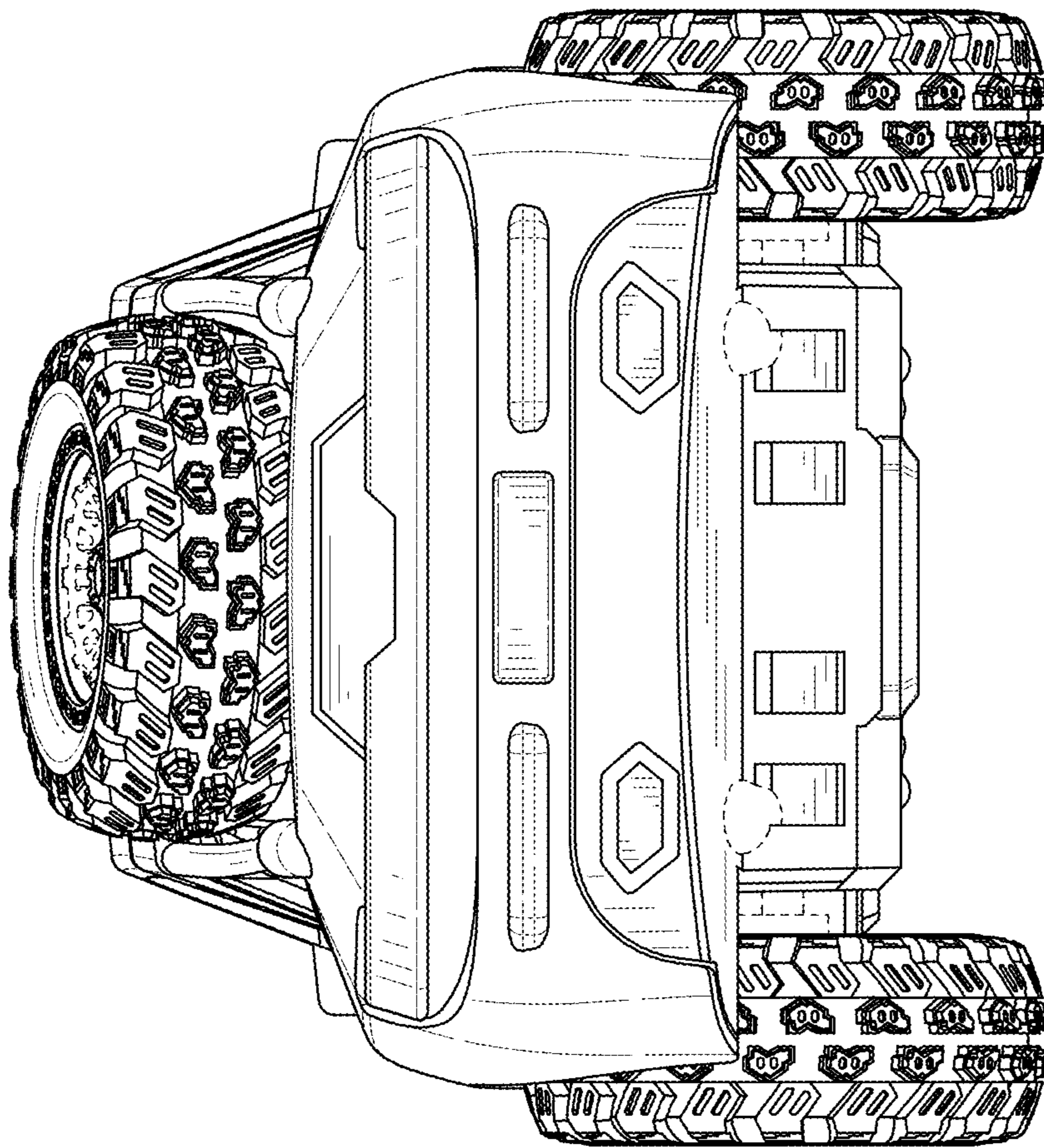


FIG. 4

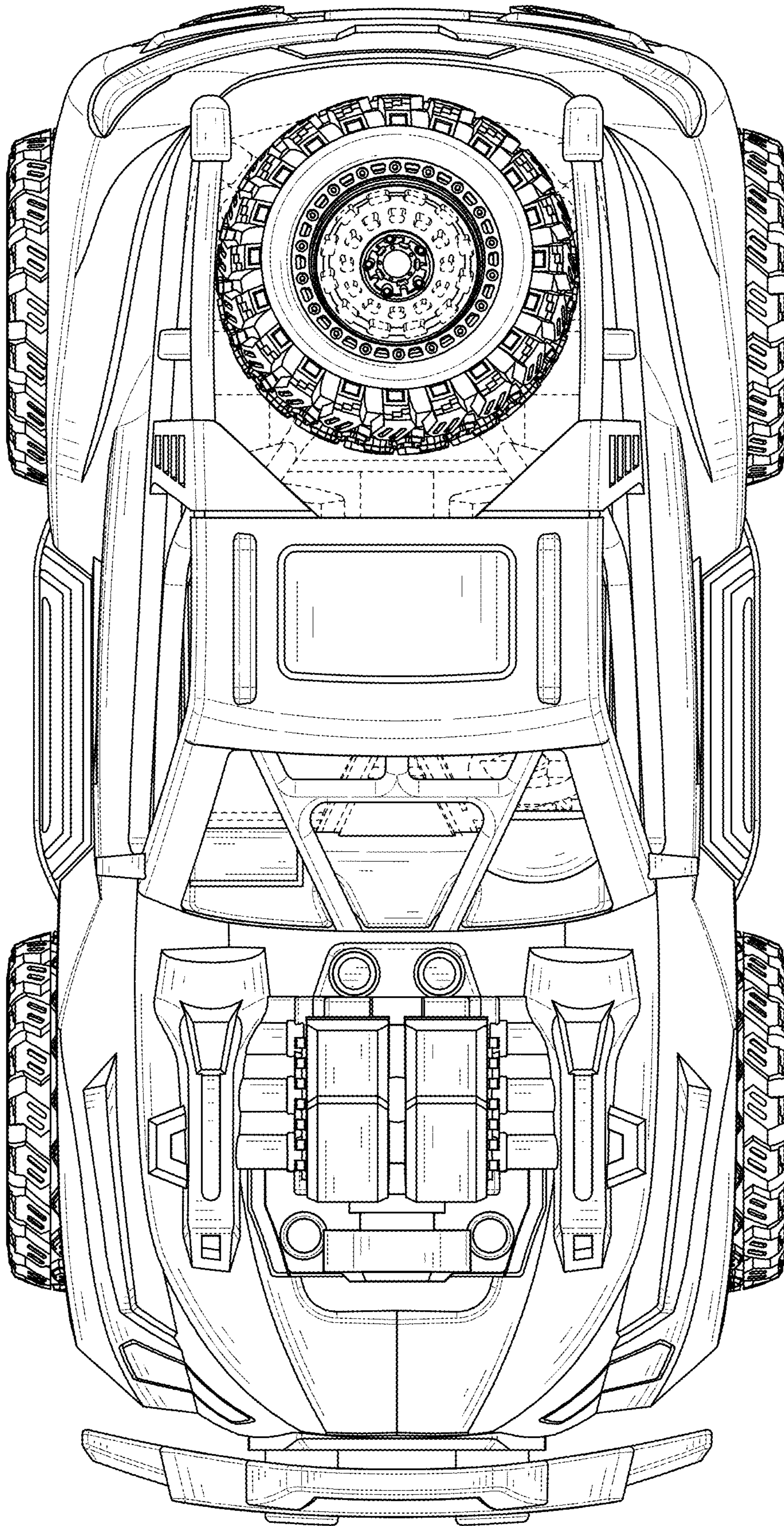


FIG. 5

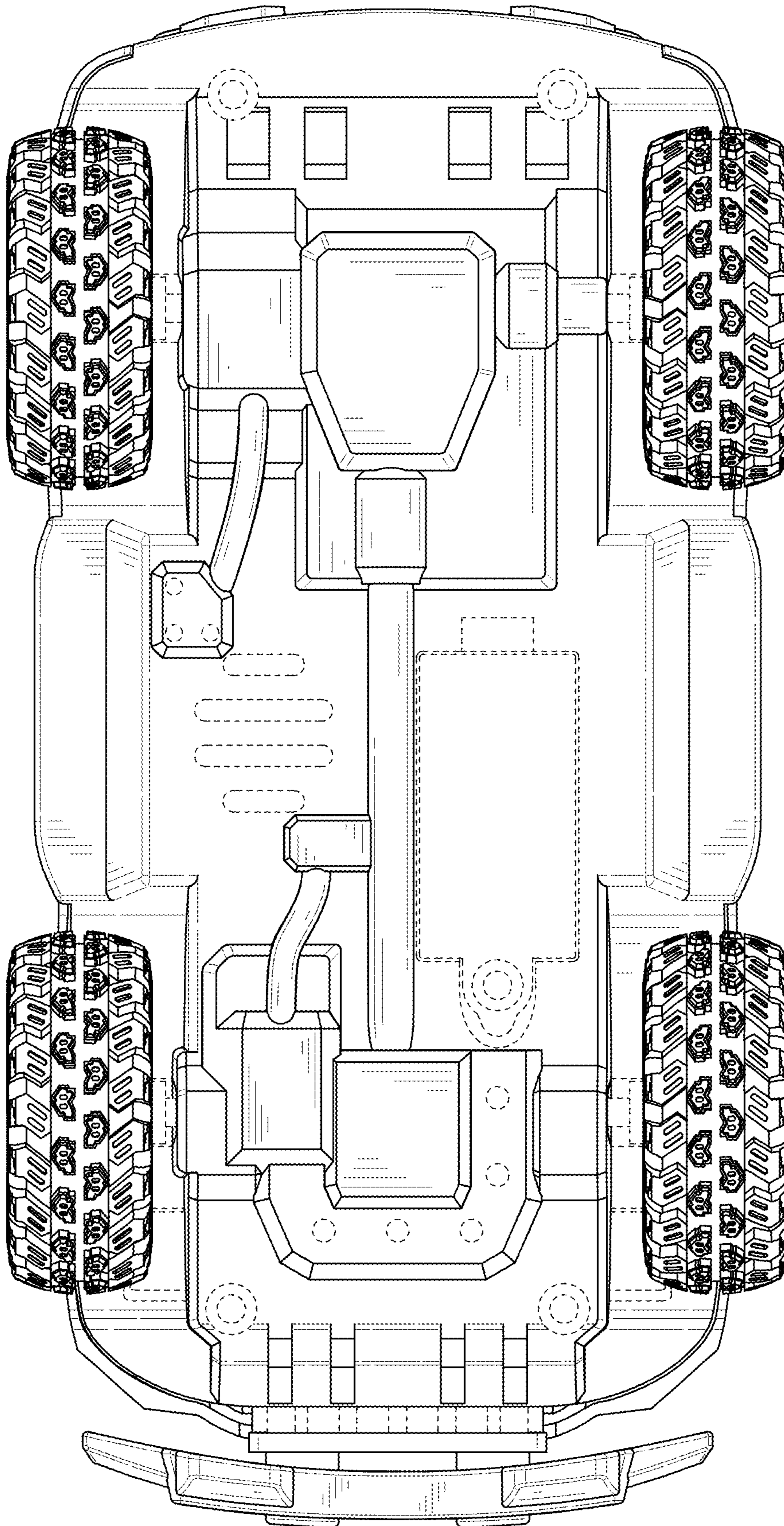


FIG. 6

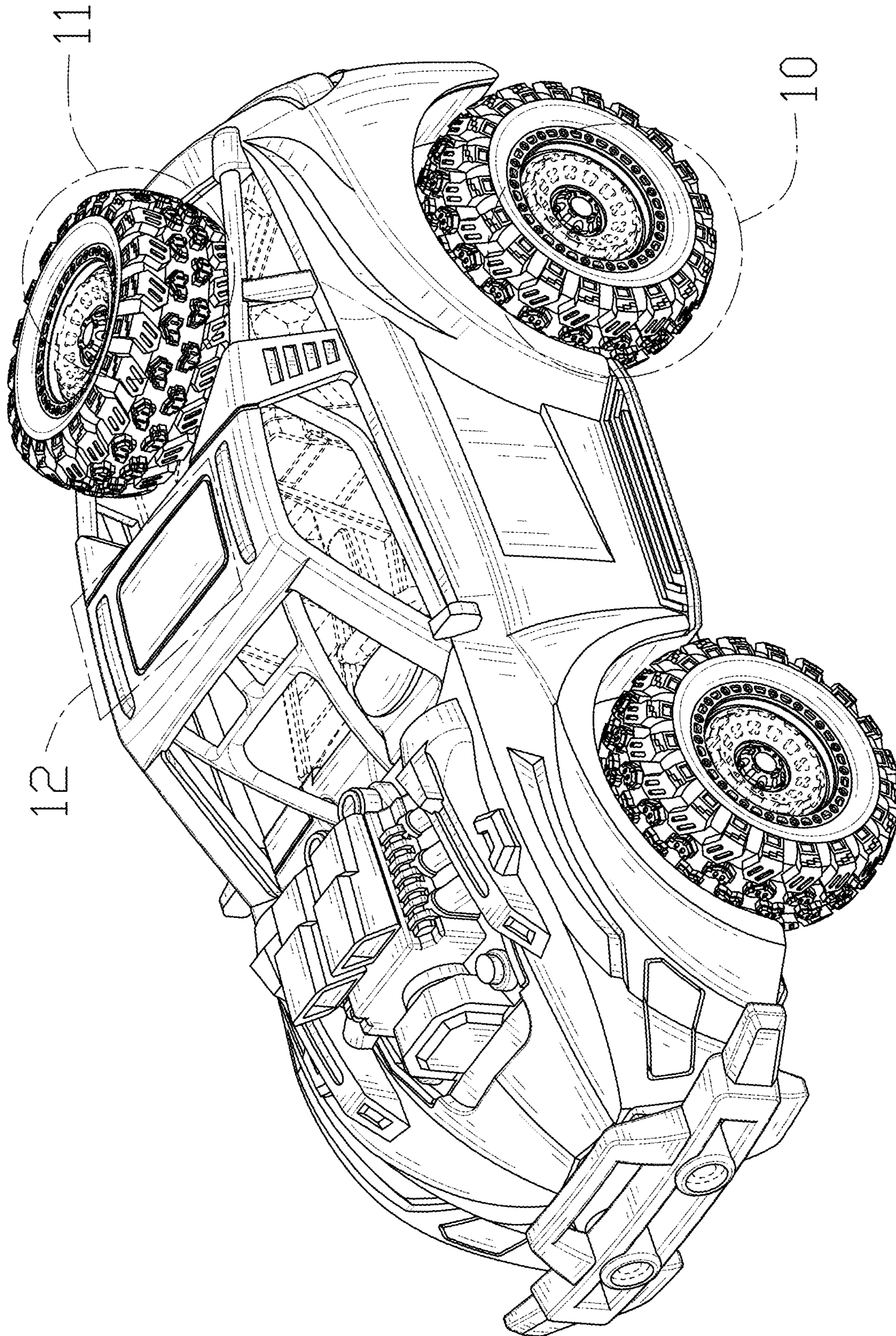


FIG. 7

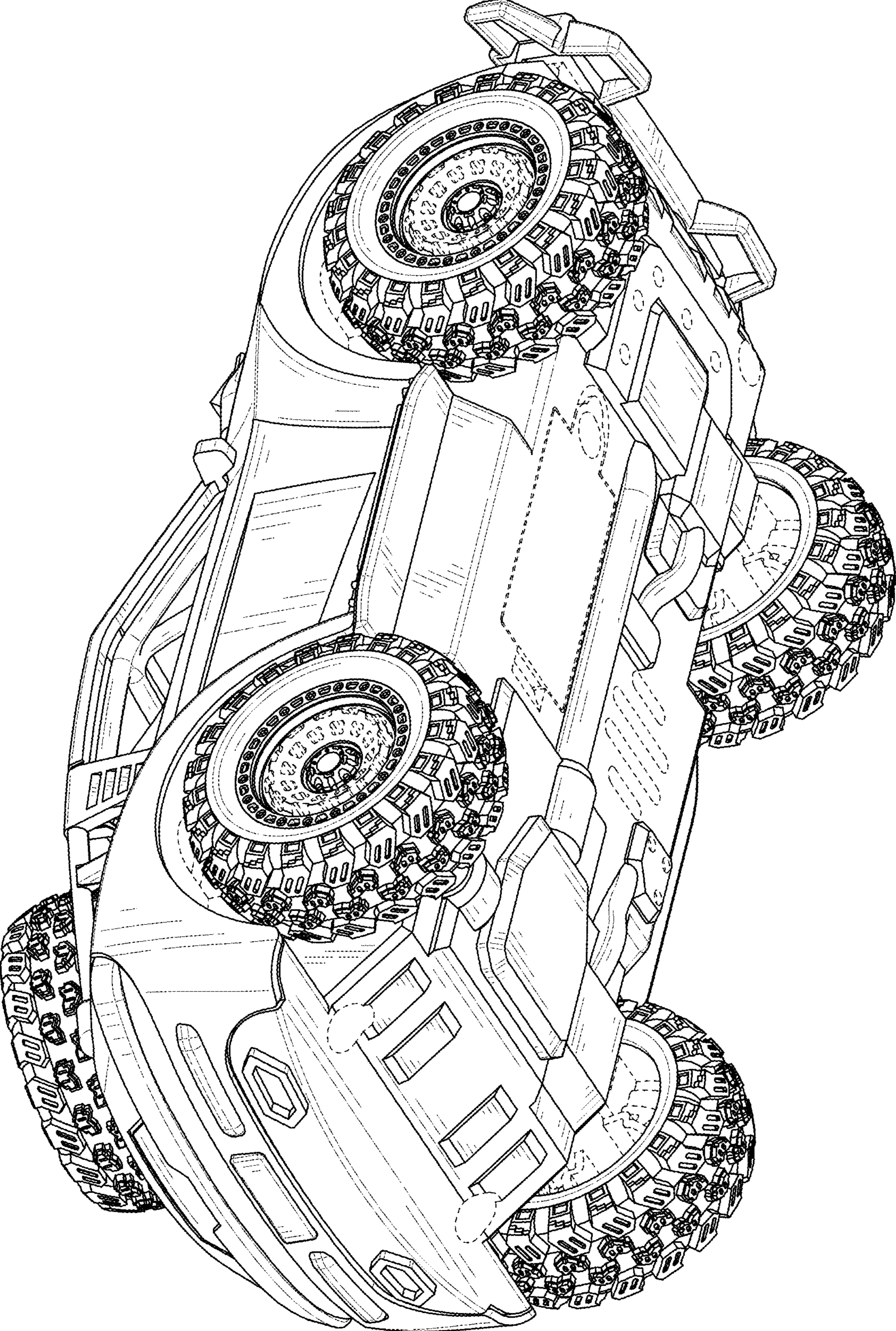


FIG. 8

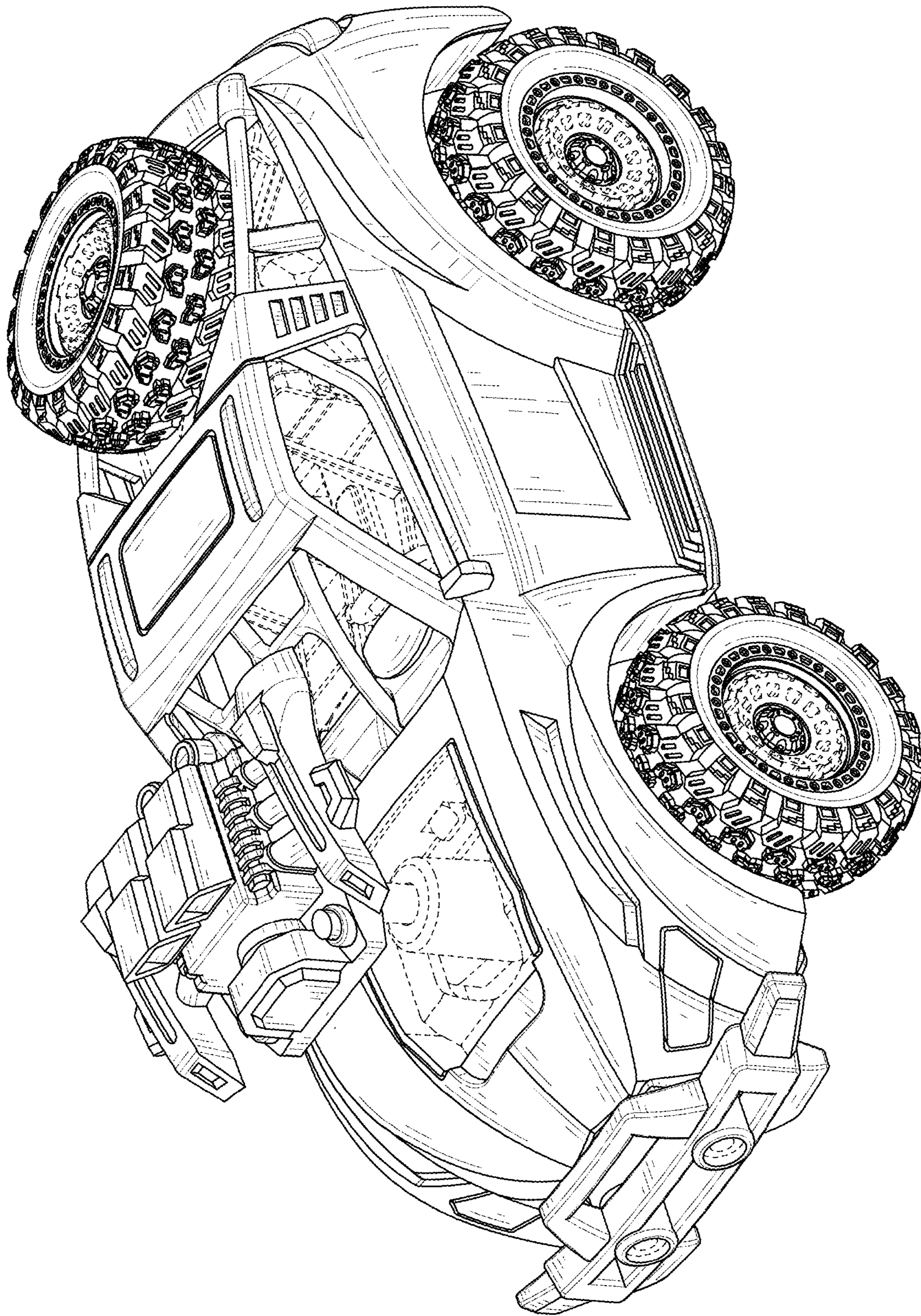


FIG. 9

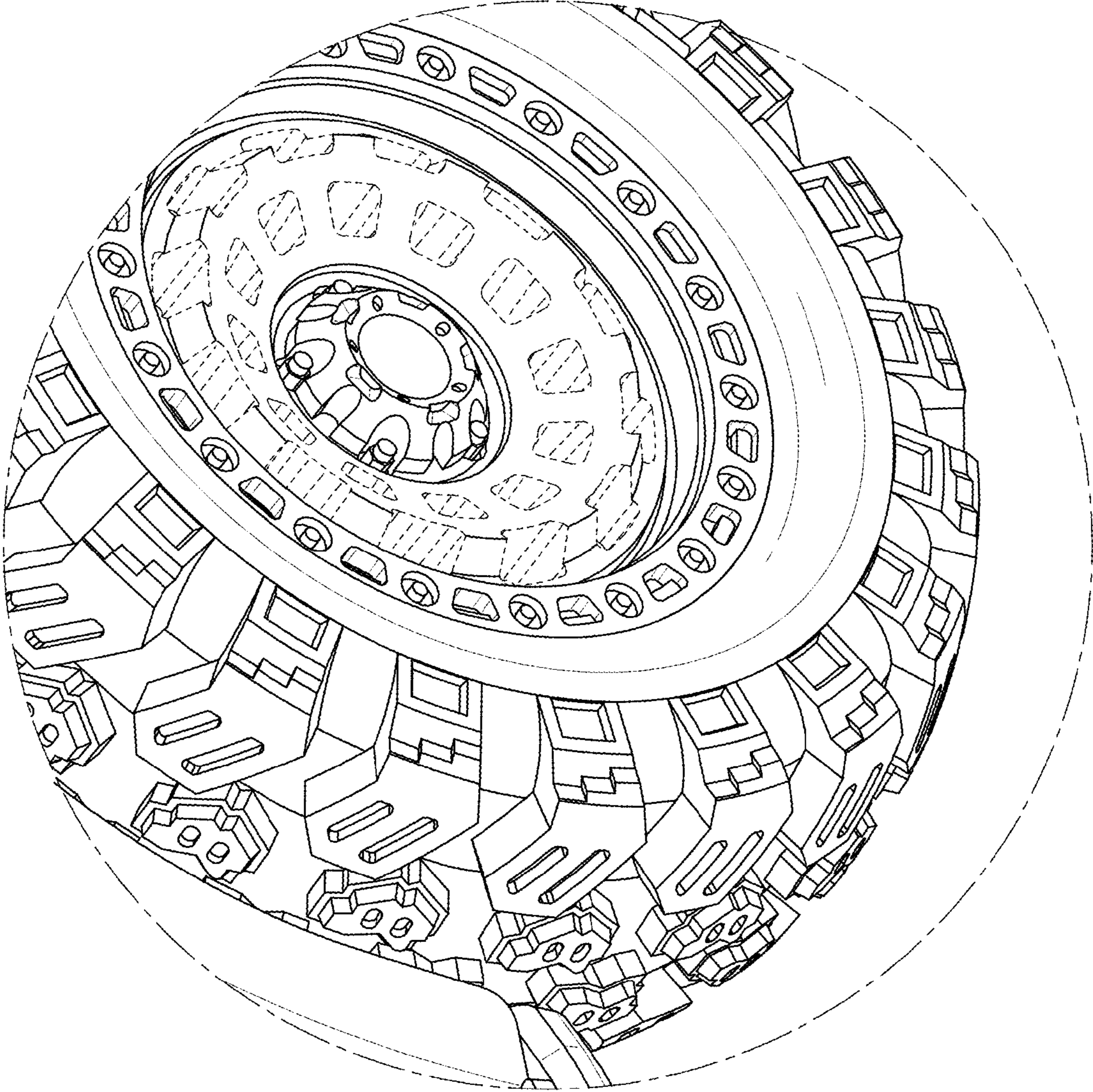


FIG. 10

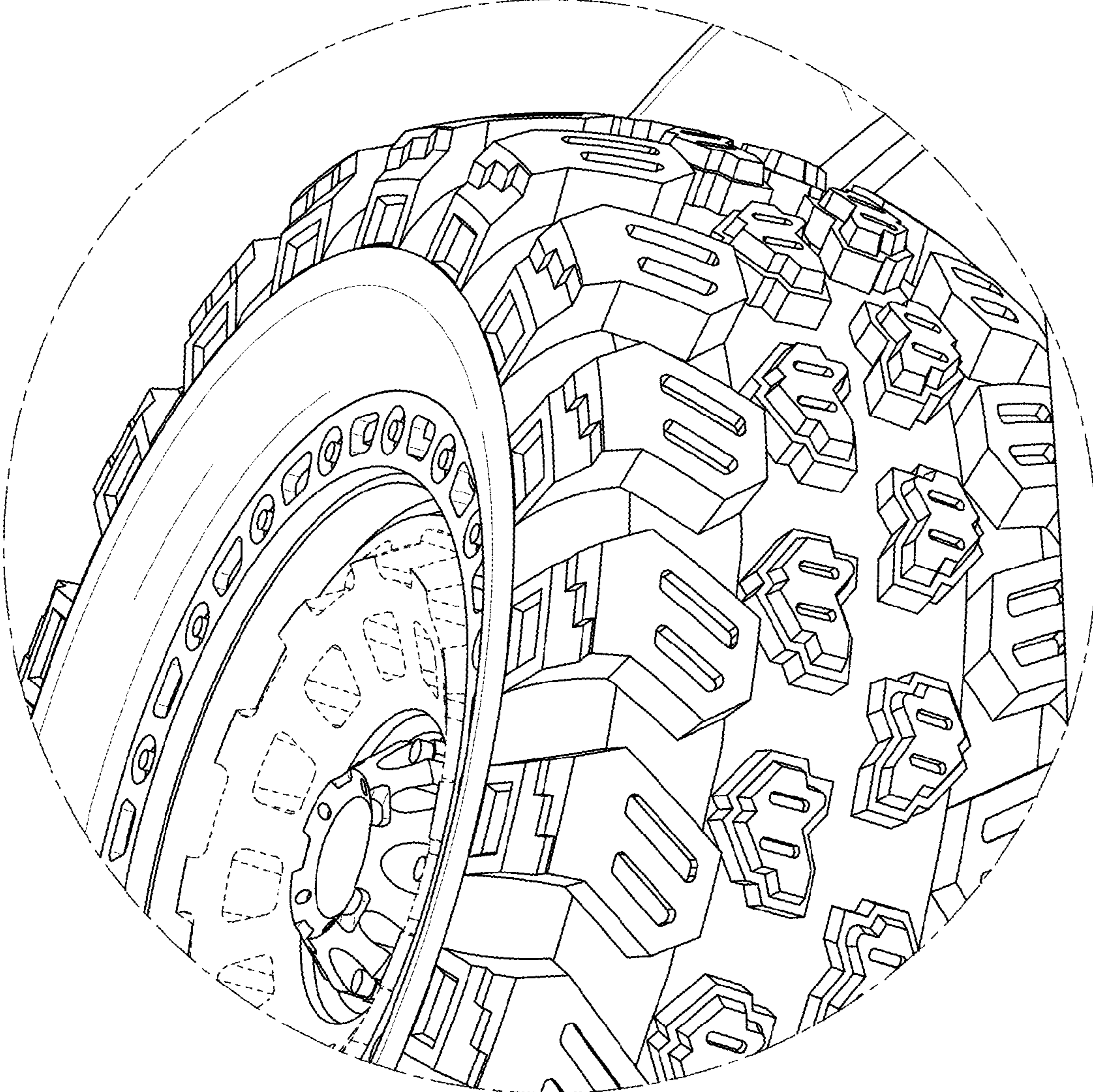


FIG. 11

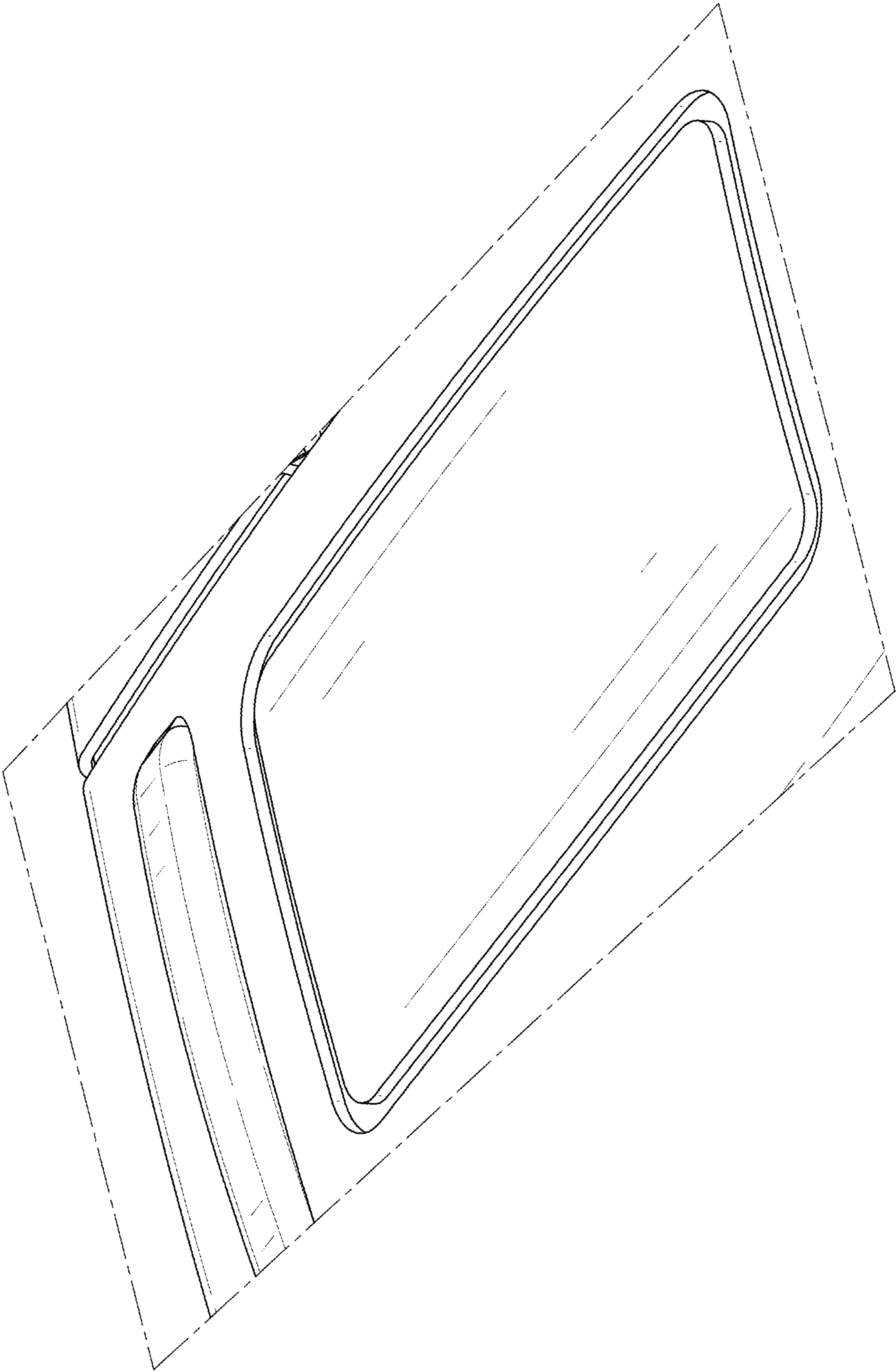


FIG. 12