



US00D923720S

(12) **United States Design Patent**  
**Chen**

(10) **Patent No.:** **US D923,720 S**

(45) **Date of Patent:** **\*\* Jun. 29, 2021**

(54) **TOY LAWNMOWER**

(71) Applicant: **Bo Chen**, Guangdong (CN)

(72) Inventor: **Bo Chen**, Guangdong (CN)

(73) Assignee: **Shantou P&C Plastic Products Company Limited**, Shantou (CN)

(\*\*) Term: **15 Years**

(21) Appl. No.: **29/703,883**

(22) Filed: **Aug. 30, 2019**

(51) **LOC (13) Cl.** ..... **21-01**

(52) **U.S. Cl.**  
USPC ..... **D21/532**

(58) **Field of Classification Search**  
USPC ..... D21/513, 515-516, 519, 522-525, 528,  
D21/530-533, 548-555; D10/90  
CPC ..... B05B 17/08; B05B 17/00; E03C 1/08;  
B28B 1/00; A63H 33/00; A63H 33/30;  
A44C 5/14; G04B 37/1486; G01G 1/00  
See application file for complete search history.

(56) **References Cited**

U.S. PATENT DOCUMENTS

- 3,292,300 A \* 12/1966 Lescher ..... A01D 34/63  
446/144
- 4,576,582 A \* 3/1986 Panzarella ..... A63H 33/30  
446/16
- D290,859 S \* 7/1987 Nagode ..... D21/483
- RE32,973 E \* 7/1989 Panzarella ..... A63H 33/28  
446/16
- D312,668 S \* 12/1990 Klawitter ..... D21/483
- D353,844 S \* 12/1994 Chiang ..... D21/533
- 7,806,747 B2 \* 10/2010 Duncan ..... A63H 7/02  
446/330

- D682,362 S \* 5/2013 Mozeika ..... D21/533
- 2006/0217028 A1 \* 9/2006 Duncan ..... A63H 33/30  
446/144
- 2012/0088436 A1 \* 4/2012 Grossman ..... A63H 17/395  
446/454

FOREIGN PATENT DOCUMENTS

CN 301786665 \* 1/2012

OTHER PUBLICATIONS

Amazon.com: Sunny Days Entertainment Maxx Bubbles Bubble-N-Go Toy Mower, reviews 2016, <https://www.amazon.com/dp/B00V5BNSIE?tag=lm-best-walking-toys-for-toddlers-20> site visited Sep. 26, 2020.\*

\* cited by examiner

*Primary Examiner* — John R Yeh  
(74) *Attorney, Agent, or Firm* — Minder Law Group;  
Willy H. Wong

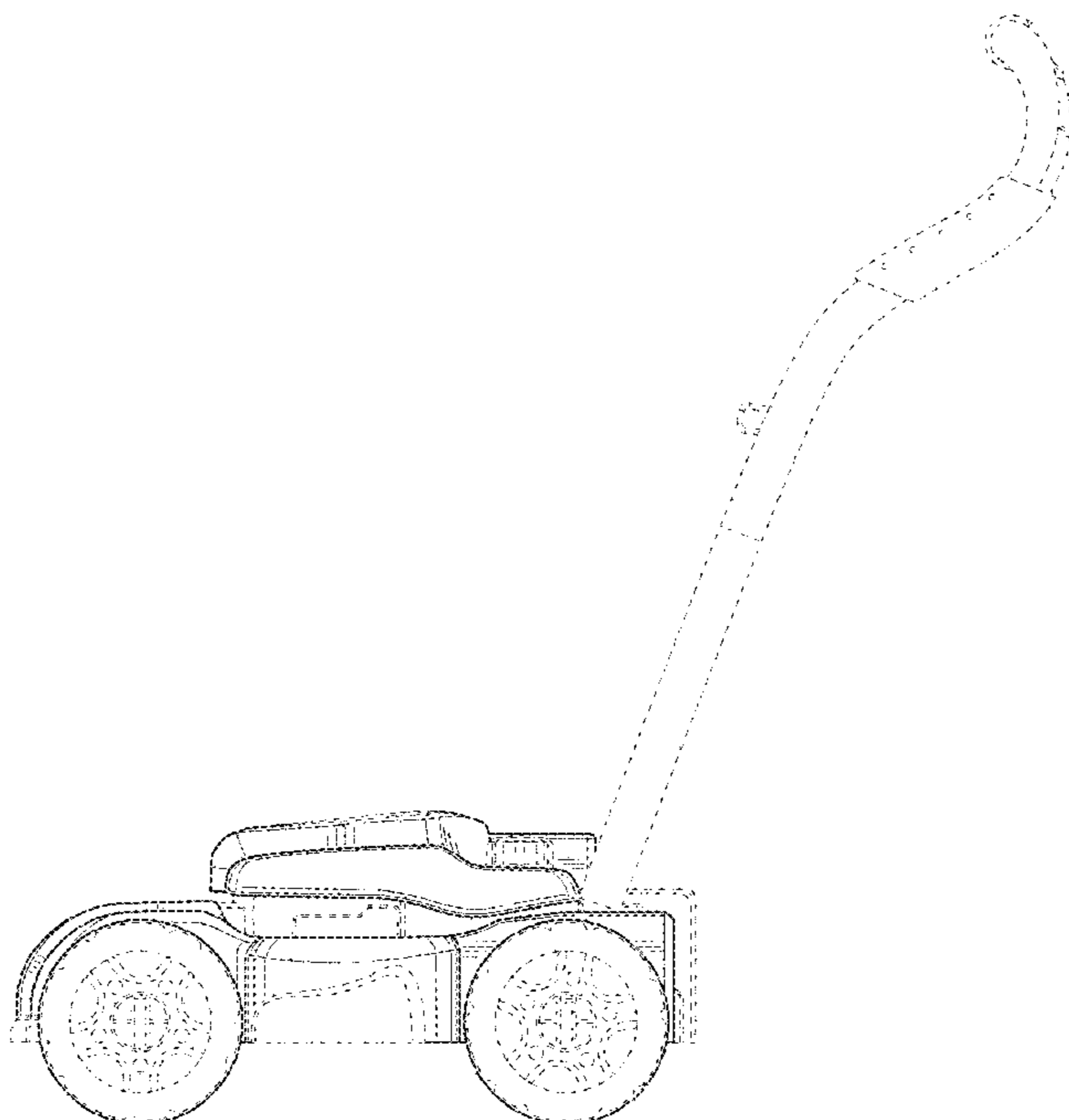
(57) **CLAIM**

The ornamental design for a toy lawnmower, as shown and described.

**DESCRIPTION**

FIG. 1 is a right side view of a toy lawnmower in accordance with the present invention.  
FIG. 2 is a left side view thereof.  
FIG. 3 is a front view thereof.  
FIG. 4 is a rear view thereof.  
FIG. 5 is a top view thereof; and,  
FIG. 6 is a bottom view thereof.  
The broken lines show portions of the toy lawnmower that form no part of the claimed design.

**1 Claim, 6 Drawing Sheets**



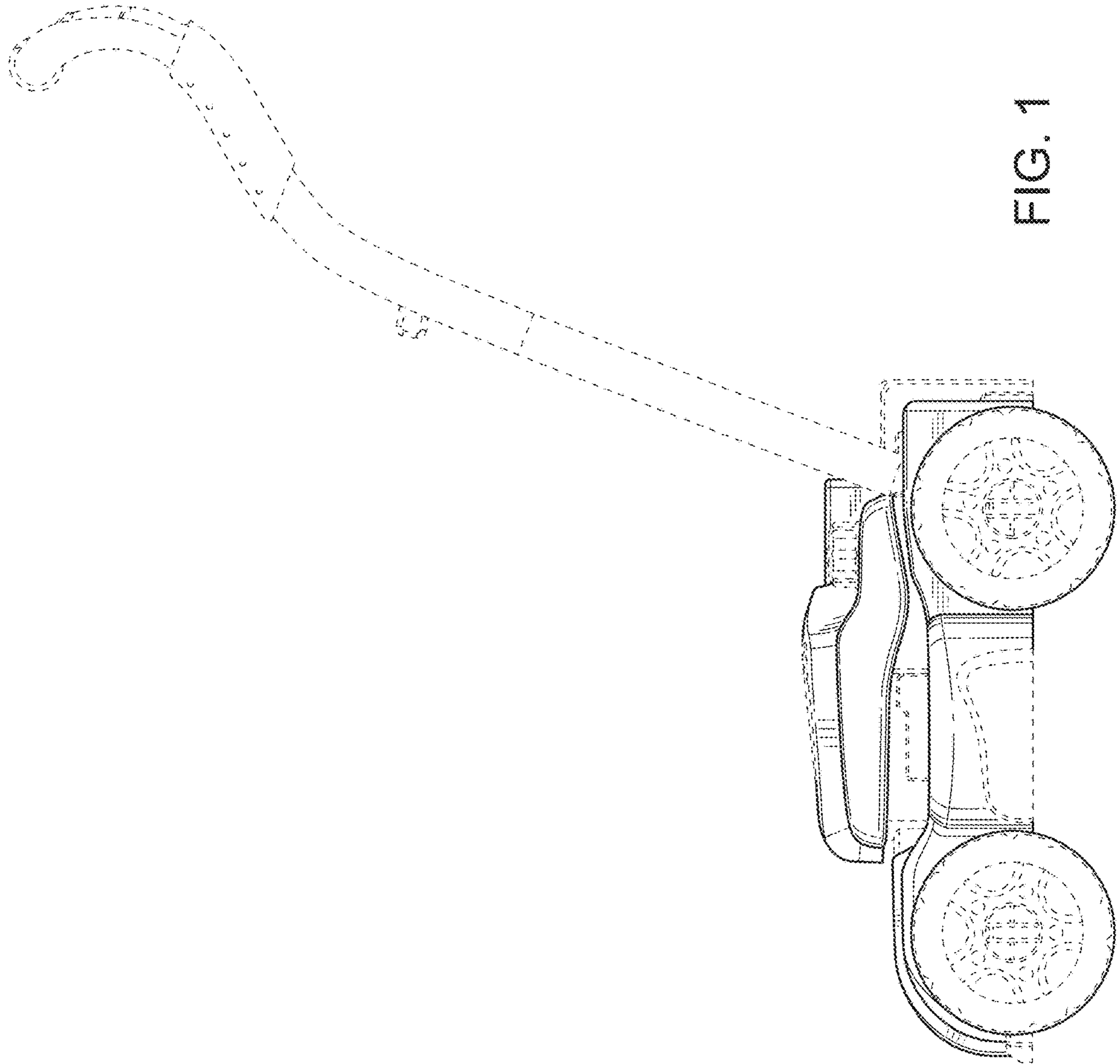


FIG. 1

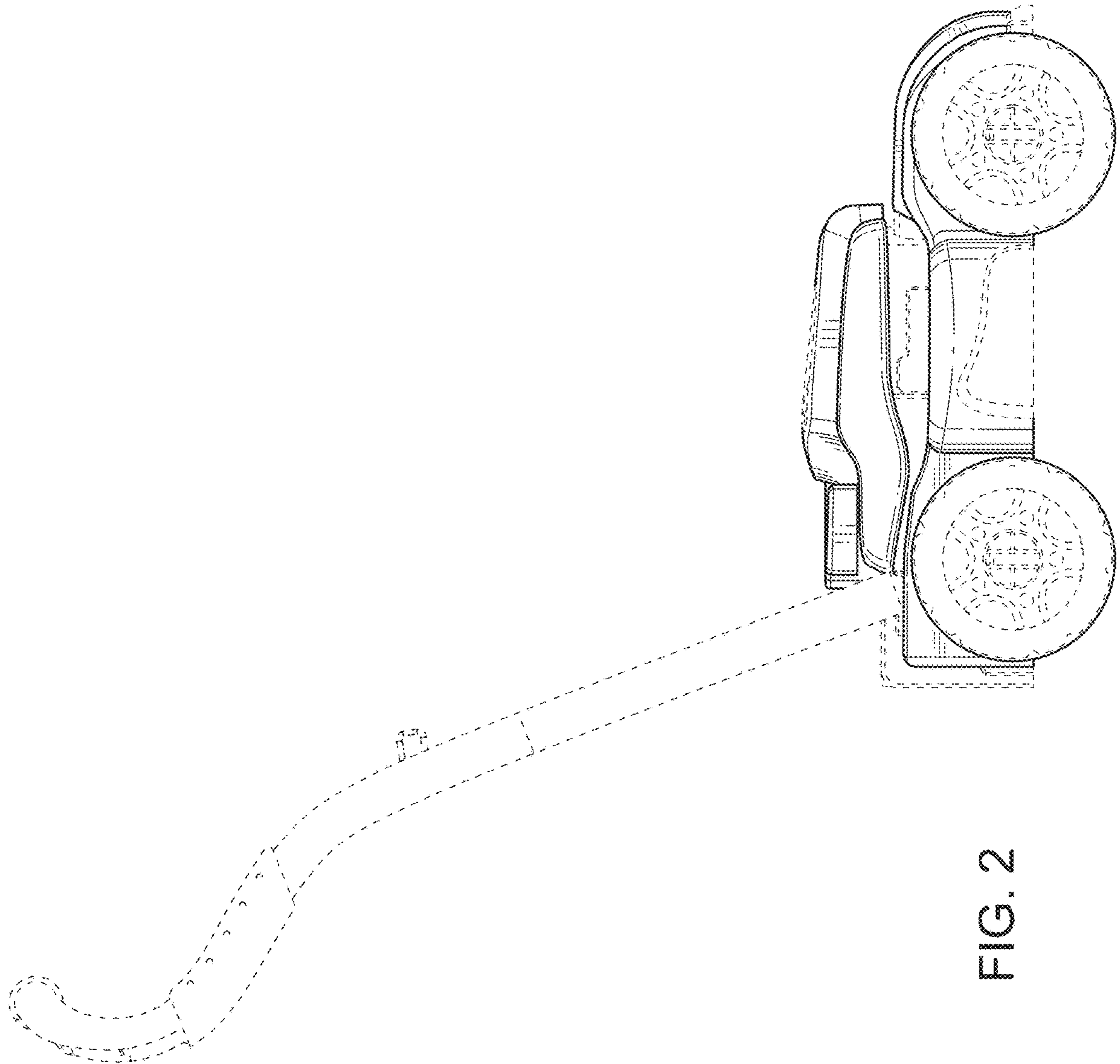


FIG. 2

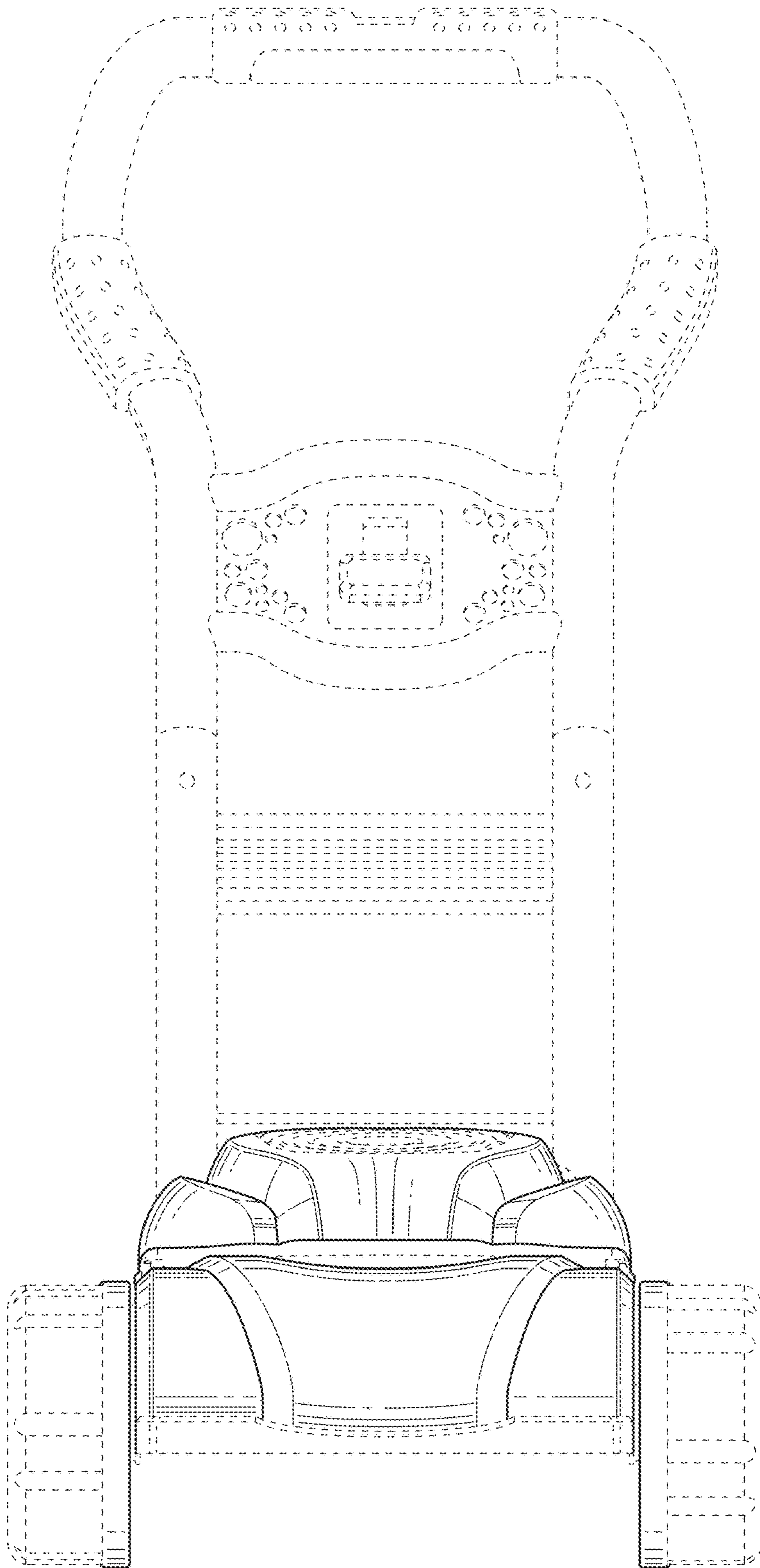


FIG. 3



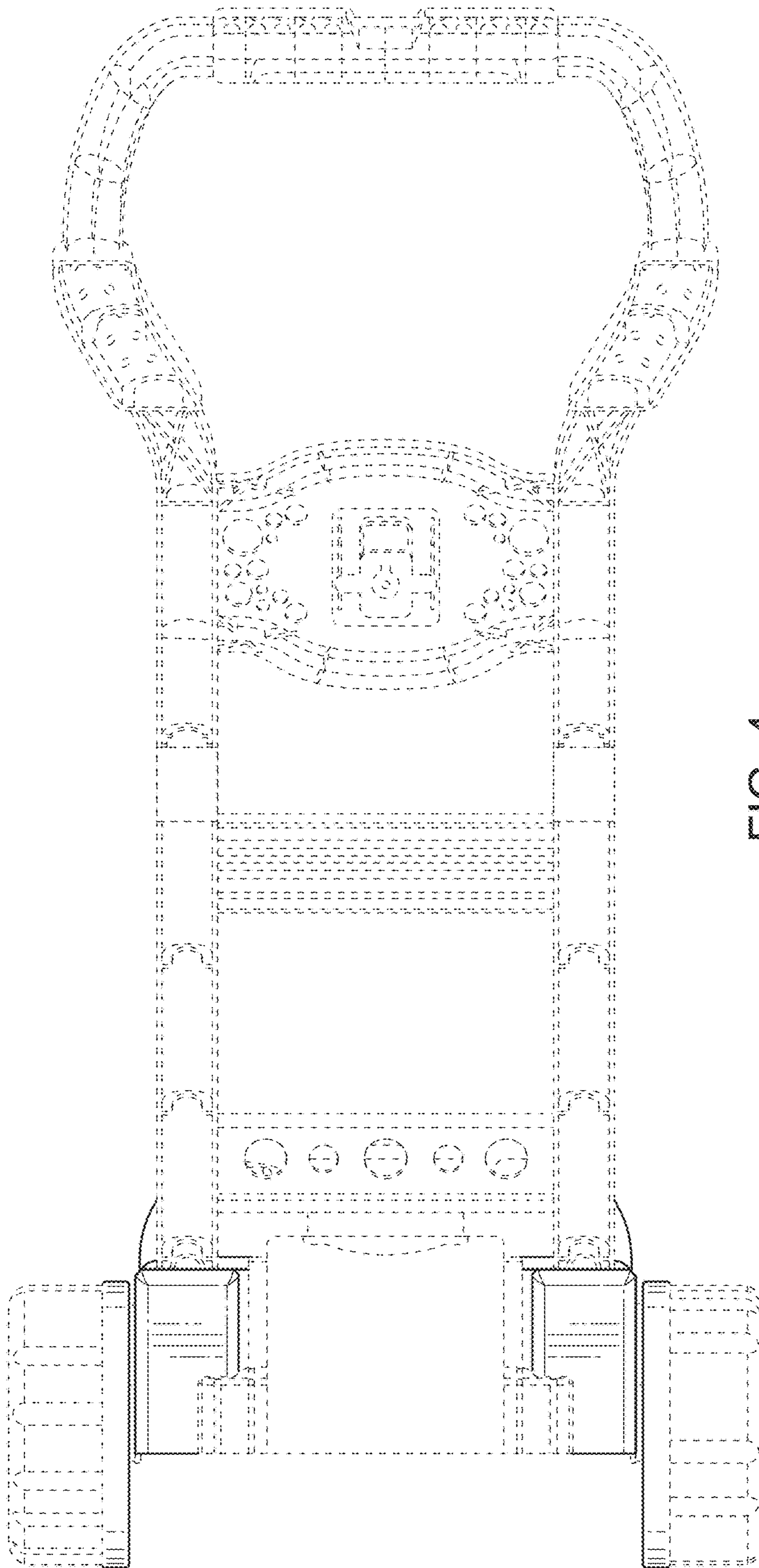


FIG. 4

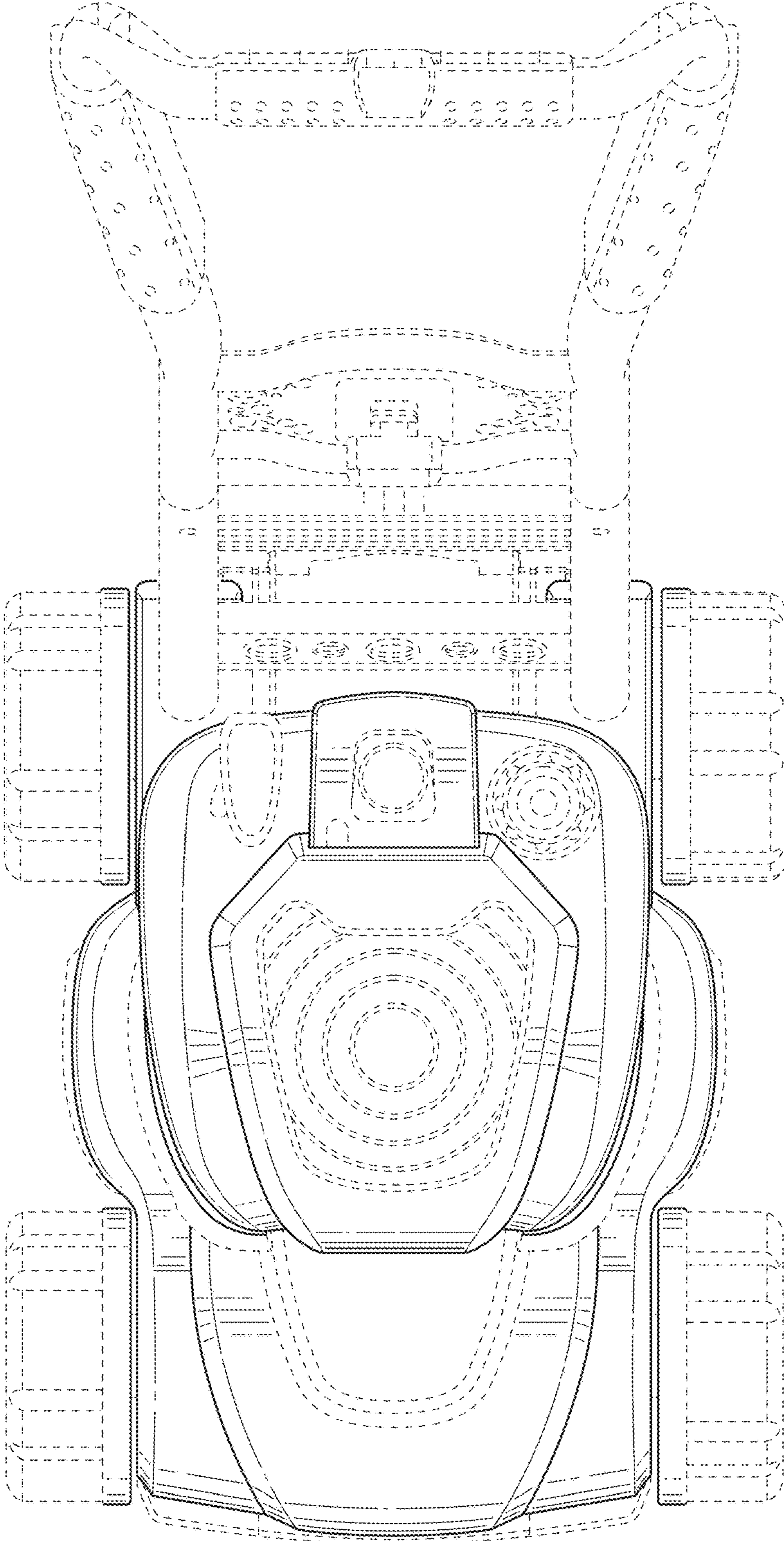


FIG. 5

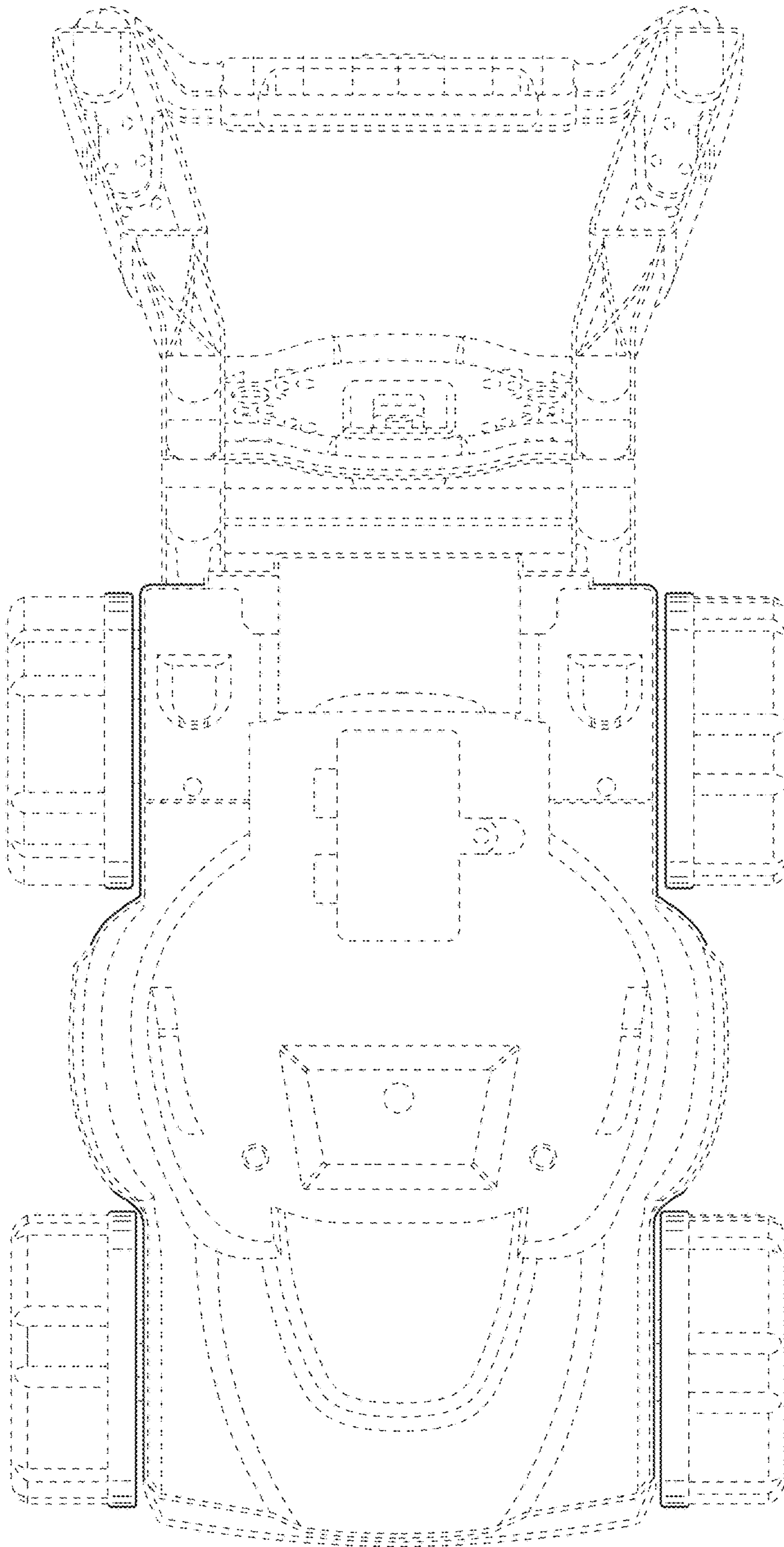


FIG. 6