



US00D923718S

(12) **United States Design Patent**
Semling

(10) **Patent No.:** **US D923,718 S**

(45) **Date of Patent:** **** Jun. 29, 2021**

- (54) **TOY BUILDING BRICK**
- (71) Applicant: **Brian's Toys Inc.**, Fountain City, WI (US)
- (72) Inventor: **Brian Semling**, Fountain City, WI (US)
- (**) Term: **15 Years**
- (21) Appl. No.: **29/700,341**
- (22) Filed: **Aug. 1, 2019**
- (51) **LOC (13) Cl.** **21-01**
- (52) **U.S. Cl.**
USPC **D21/499**
- (58) **Field of Classification Search**
USPC D21/333, 373, 386, 389, 404, 468, 470,
D21/471, 475, 484-505; D24/101
CPC A63H 33/04; A63H 33/06; A63H 33/062;
A63H 33/08; A63H 33/088; A63F 9/12;
A63F 9/1224
See application file for complete search history.

- D833,543 S * 11/2018 Semling D21/499
- D833,544 S * 11/2018 Semling D21/499
- D833,545 S * 11/2018 Semling D21/499
- D835,211 S * 12/2018 Semling D21/499
- D835,212 S * 12/2018 Semling D21/499
- D835,729 S * 12/2018 Semling D21/499
- 10,188,961 B1 * 1/2019 Lee A63H 33/065
- D852,896 S * 7/2019 Semling D21/499
- 10,646,791 B2 * 5/2020 Semling A63H 33/088

* cited by examiner

Primary Examiner — Cynthia M. Chin

(57) **CLAIM**

The ornamental design for a toy building brick, as shown and described.

DESCRIPTION

FIG. 1 is a top isometric view of a toy building brick showing a top side, a front side and a left side of my new design;

FIG. 2 is a bottom isometric view showing a bottom side, a rear side and a right side of the toy building brick;

FIG. 3 is a bottom isometric view showing the bottom side, the front side and the right side of the toy building brick;

FIG. 4 is a top view of the toy building brick;

FIG. 5 is a bottom view of the toy building brick;

FIG. 6 is a right side view of the toy building brick;

FIG. 7 is a cross-sectional view of the toy building brick taken along line 7-7 of FIG. 5; and,

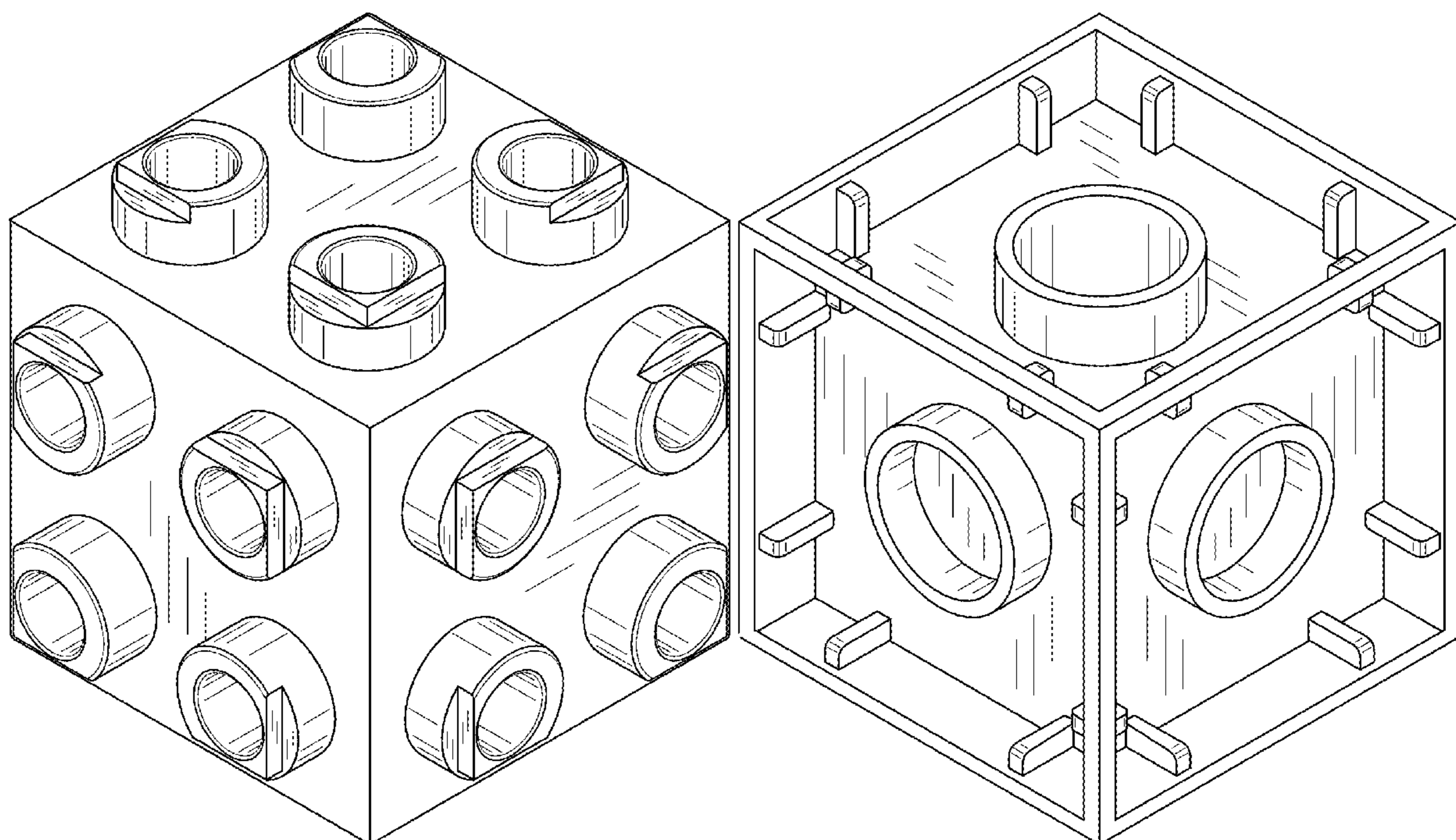
FIG. 8 is a cross-sectional view of the toy building brick taken along line 8-8 of FIG. 5.

1 Claim, 6 Drawing Sheets

(56) **References Cited**

U.S. PATENT DOCUMENTS

- 5,924,906 A * 7/1999 Grafton A63H 33/10
411/339
- D413,636 S * 9/1999 Laserna Fernandez D21/499
- D422,036 S * 3/2000 Laserna Fernandez D21/499
- D678,045 S * 3/2013 Paolini D8/382
- D758,501 S * 6/2016 Sorensen D21/495
- D806,180 S * 12/2017 Simonds D21/499
- D806,804 S * 1/2018 Simonds D21/499
- D832,935 S * 11/2018 Wakim D21/499
- D832,936 S * 11/2018 Semling D21/499



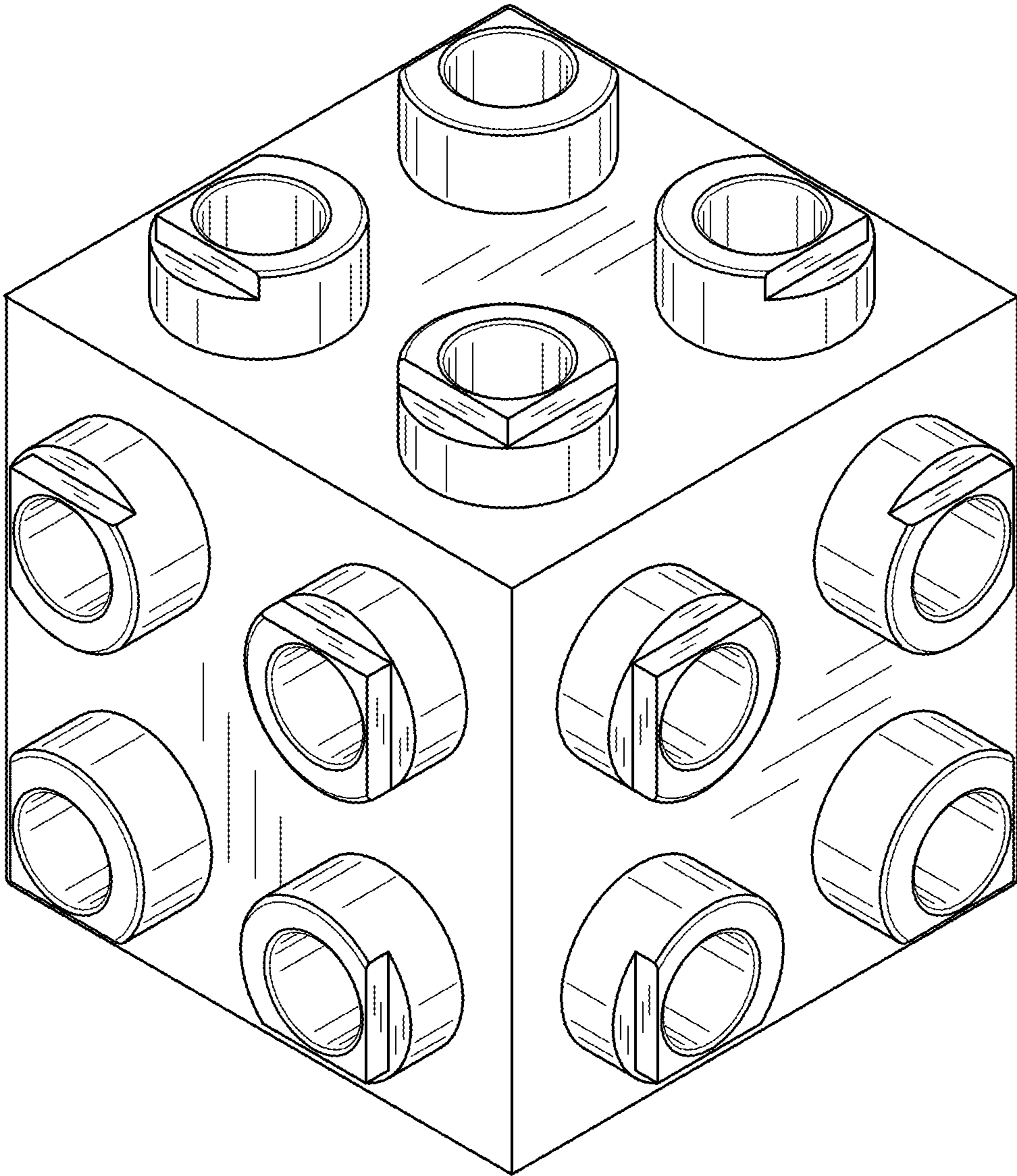


FIG. 1

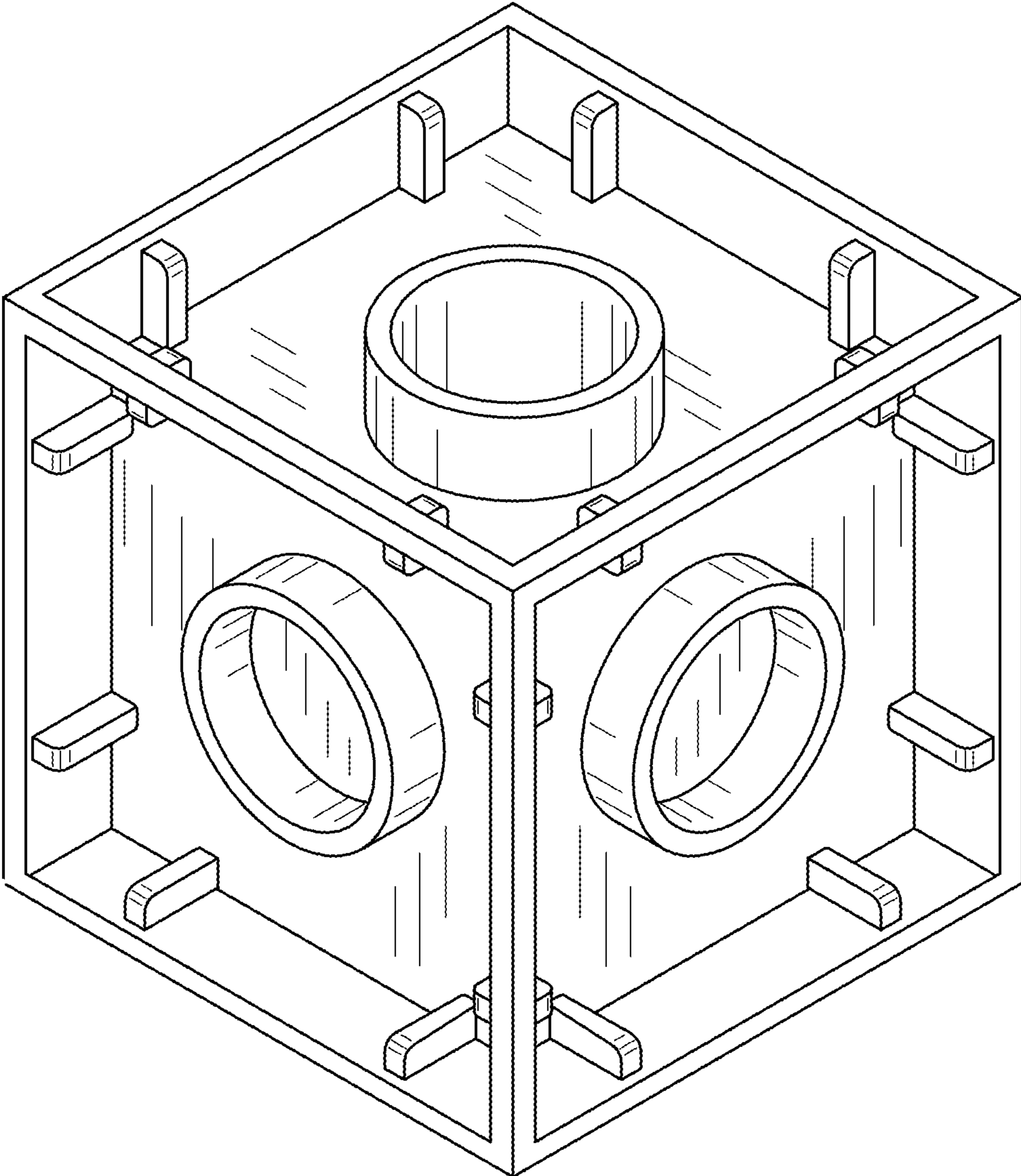


FIG. 2

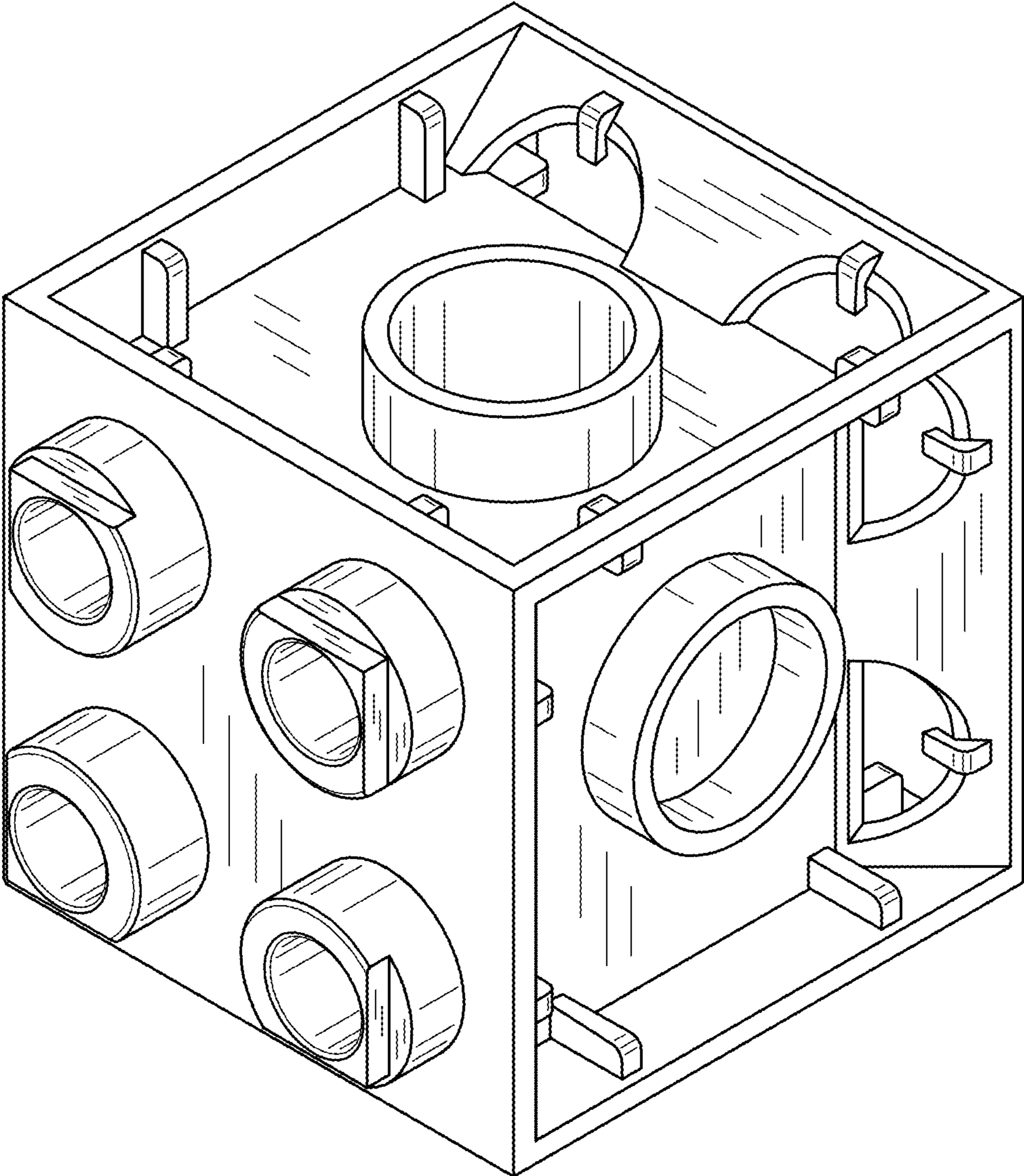


FIG. 3

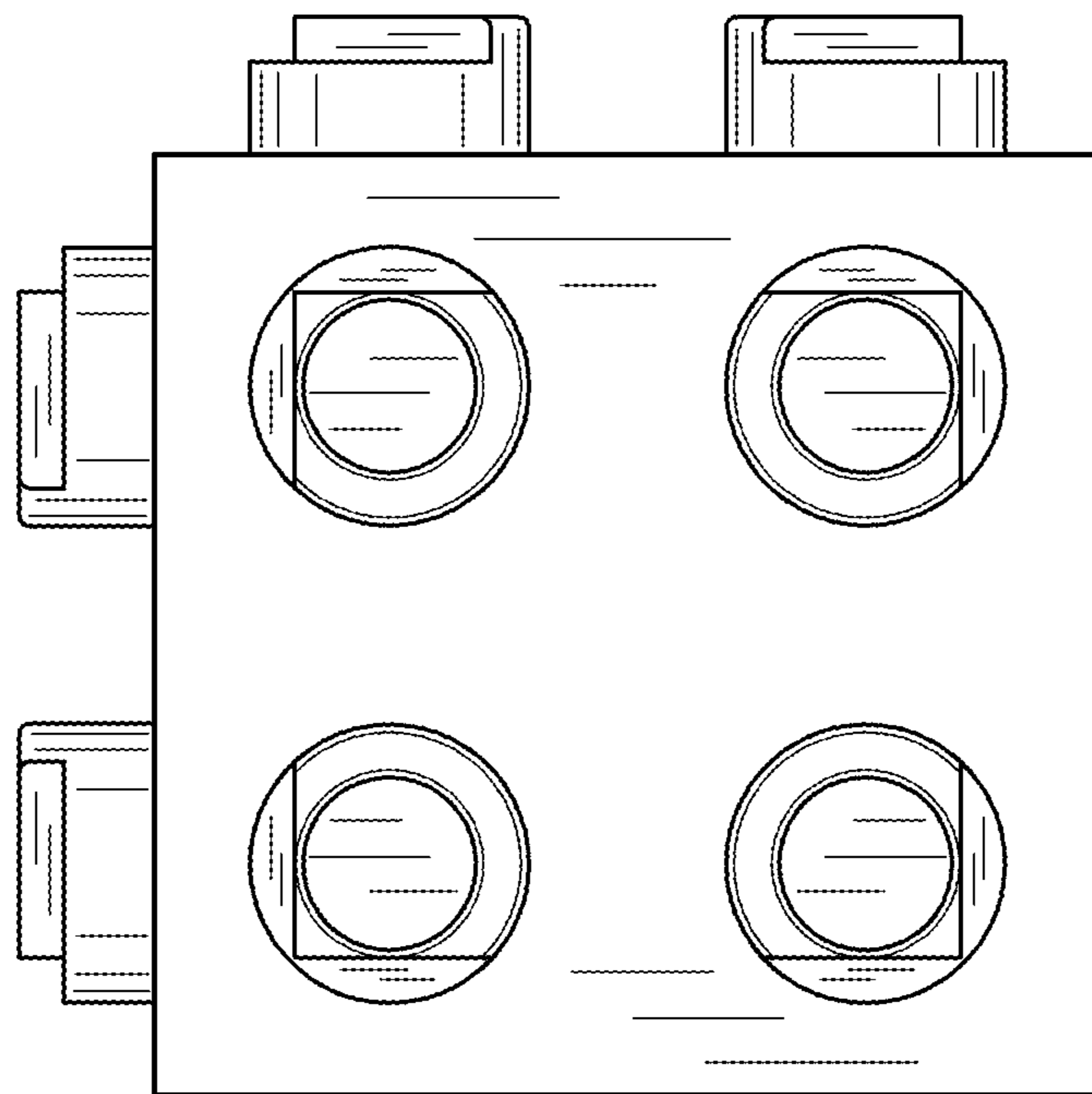


FIG. 4

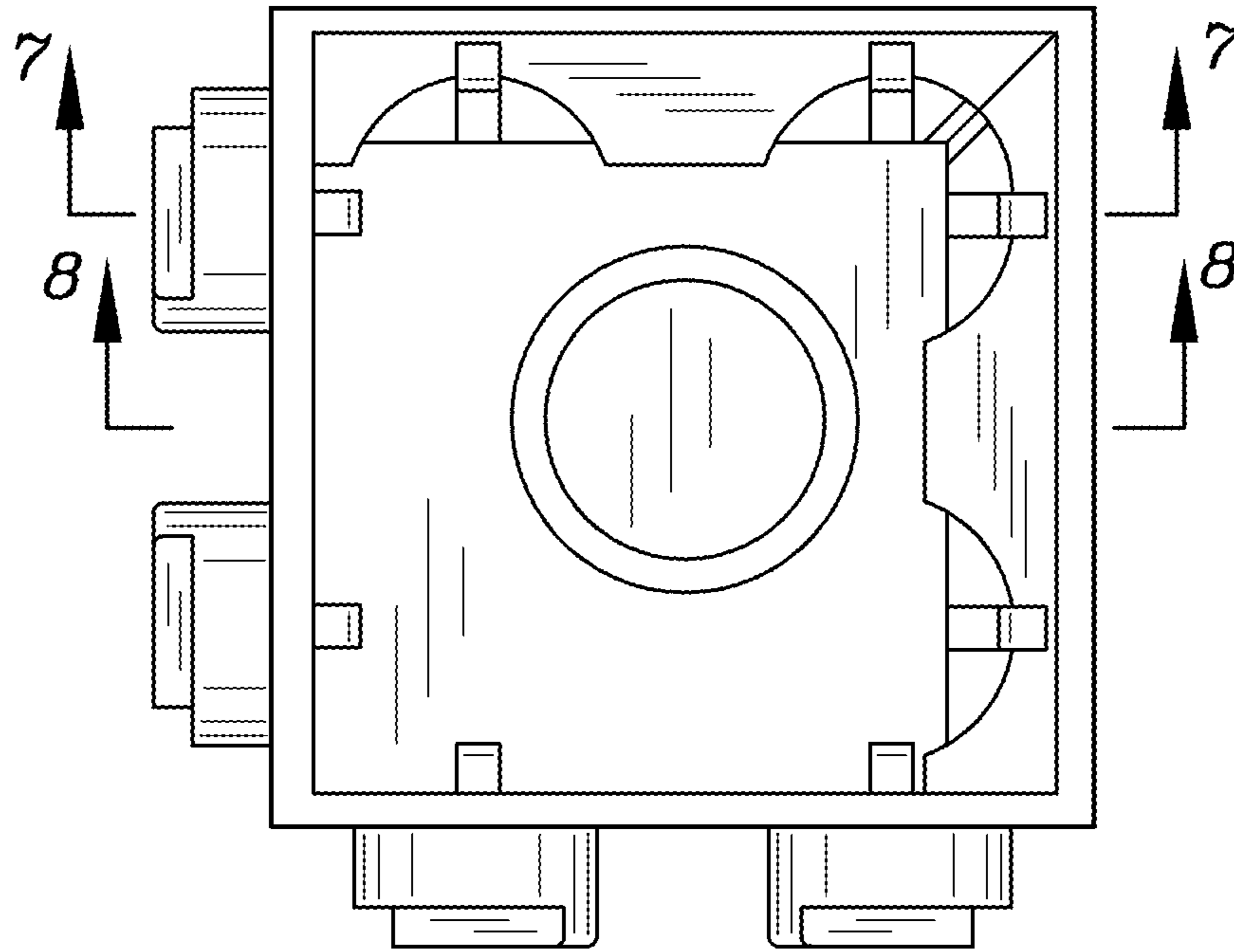


FIG. 5

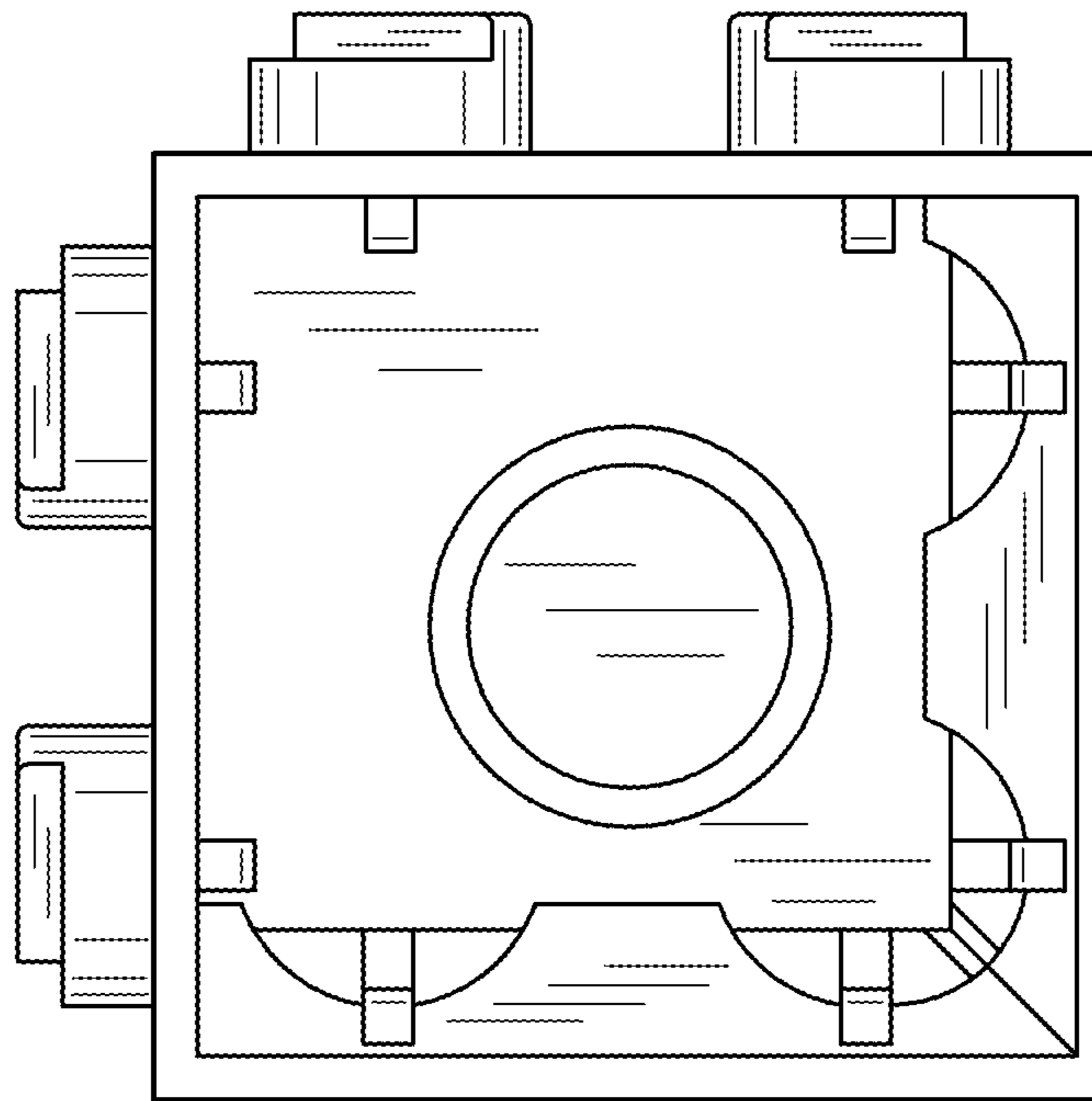


FIG. 6

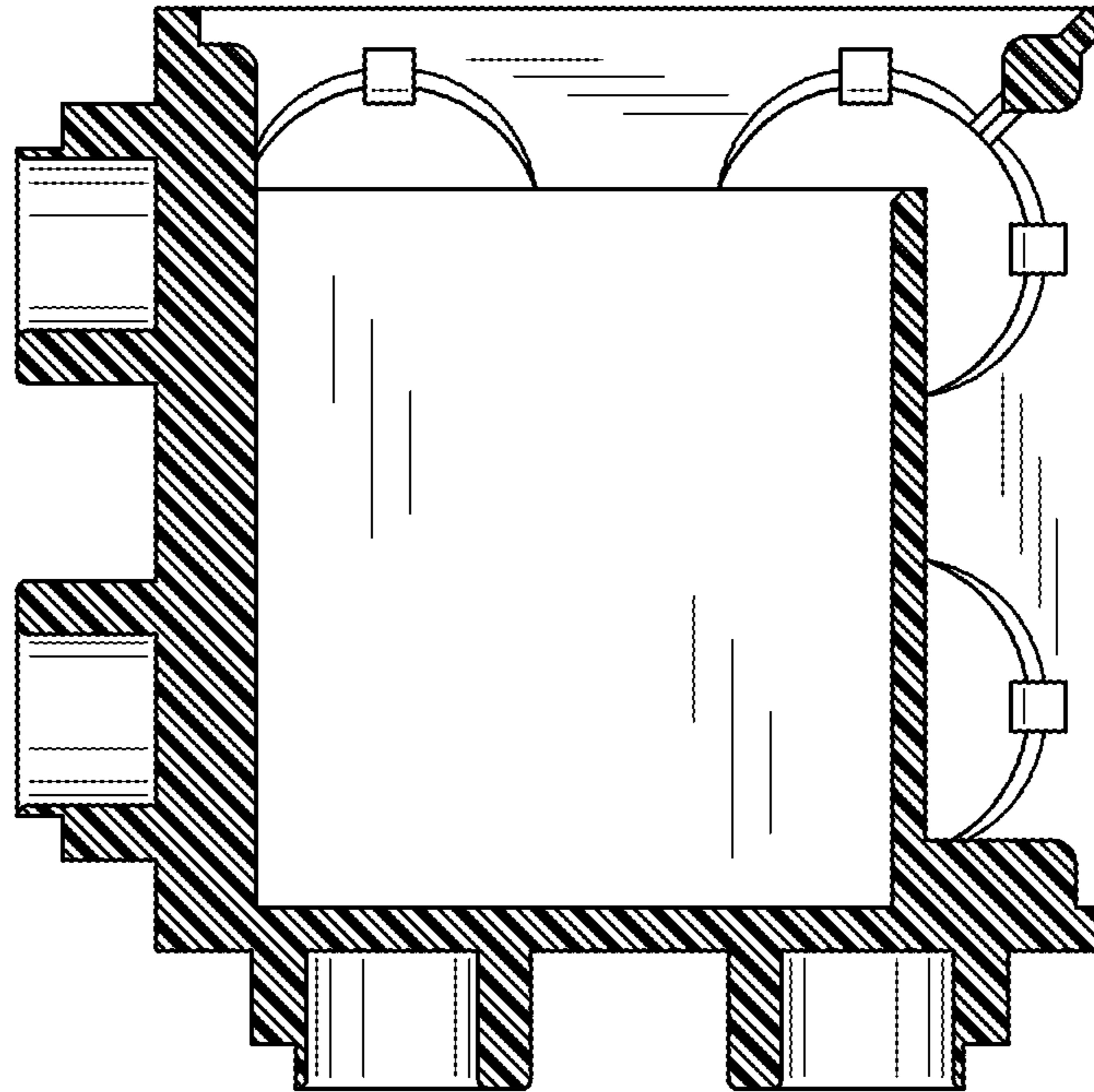


FIG. 7

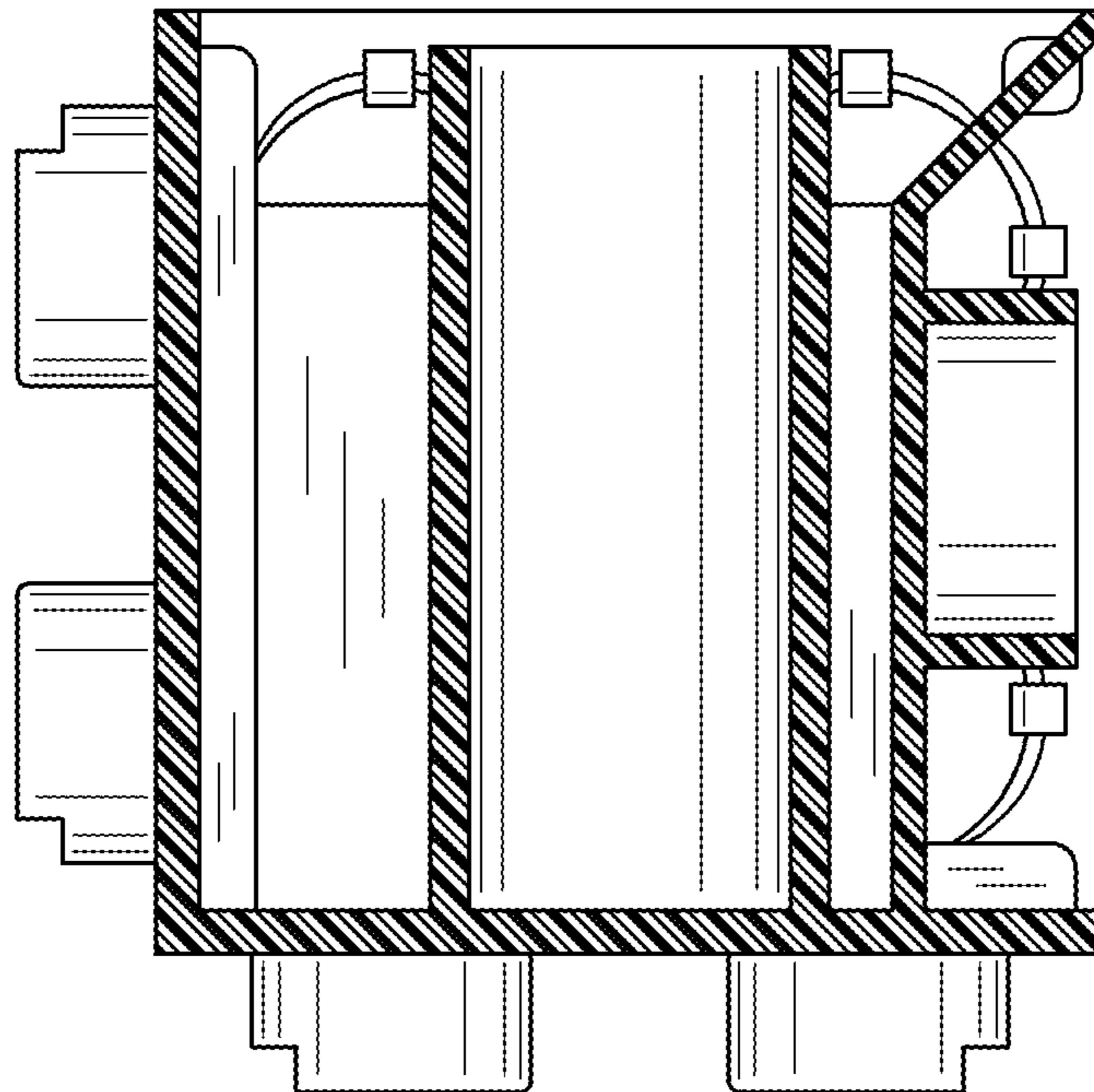


FIG. 8