



US00D923717S

(12) **United States Design Patent**
De Wilde

(10) **Patent No.:** **US D923,717 S**

(45) **Date of Patent:** **** Jun. 29, 2021**

(54) **TOY CONSTRUCTION ELEMENT**

(71) Applicant: **Jarola Vision B.V.**, Lutten (NL)

(72) Inventor: **Gerrit Jan De Wilde**, Anerveen (NL)

(73) Assignee: **Jarola Vision B.V.**, Lutten (NL)

(**) Term: **15 Years**

(21) Appl. No.: **29/666,310**

(22) Filed: **Oct. 11, 2018**

(30) **Foreign Application Priority Data**

Apr. 13, 2018 (WO) 7098501

(51) **LOC (13) Cl.** **21-01**

(52) **U.S. Cl.**
USPC **D21/484**

(58) **Field of Classification Search**
USPC D21/484, 487, 488, 486, 492, 494, 495,
D21/498, 502, 503, 504; D8/354, 384,
D8/385; D25/199
CPC A63H 33/04; A63H 33/06; A63H 33/062;
A63H 33/08; A63H 33/082; A63H
33/084; A63H 33/086; A63H 33/088;
A63H 33/10; A63H 33/101; A63H
33/102; A63H 33/105; A63H 33/108;
A63H 33/12; A63H 17/36; F16B 7/04
See application file for complete search history.

(56) **References Cited**

U.S. PATENT DOCUMENTS

D15,419 S * 9/1884 Smith D21/504
D82,529 S * 11/1930 Thomson D25/199

(Continued)

FOREIGN PATENT DOCUMENTS

CN 303298907 7/2015
CN 303956882 12/2016

(Continued)

OTHER PUBLICATIONS

<http://licensingmagazine.com/2017/02/08/new-twicktto-construction-toys/?lang=en> Posted Feb. 8, 2017 (Year: 2017).

(Continued)

Primary Examiner — Llorellys Martinez

(74) *Attorney, Agent, or Firm* — Cook Alex Ltd.

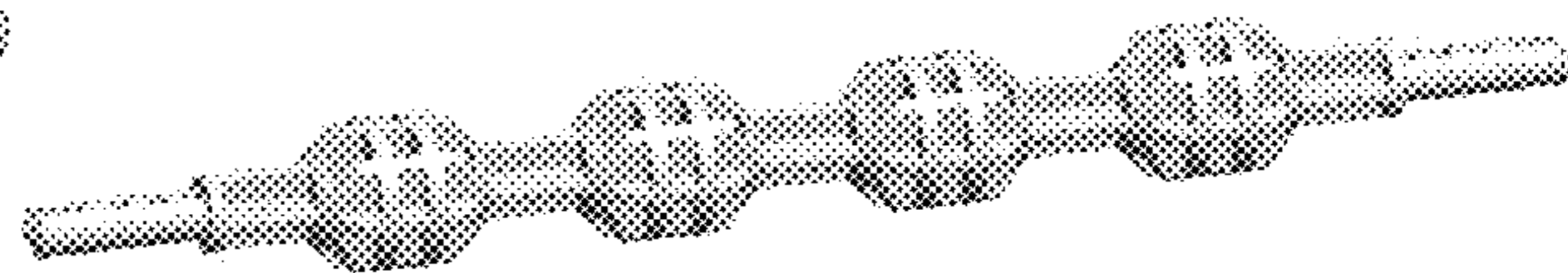
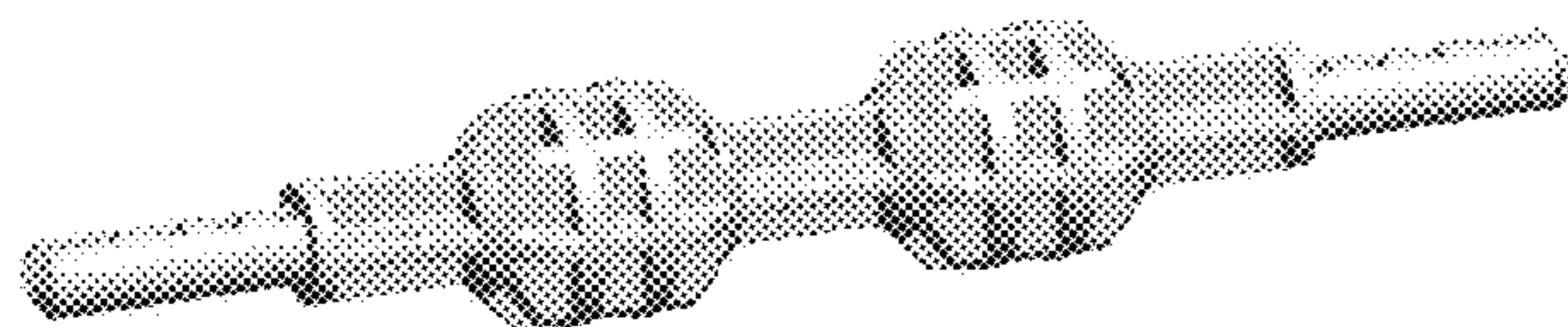
(57) **CLAIM**

The ornamental design for a toy construction element, as shown and described.

DESCRIPTION

FIG. 1 is a perspective view of a first embodiment of a toy construction element showing the new design;
FIG. 2 is a top plan view thereof, the bottom plan view being identical thereto;
FIG. 3 is a side elevation view thereof, the opposite side elevation view being identical thereto;
FIG. 4 is an end elevation view thereof, the opposite end elevation view being identical thereto;
FIG. 5 is a perspective view of a second embodiment of the toy construction element showing the new design;
FIG. 6 is a top plan view thereof, the bottom plan view being identical thereto;
FIG. 7 is a side elevation view thereof, the opposite side elevation view being identical thereto;
FIG. 8 is an end elevation view thereof, the opposite end elevation view being identical thereto;
FIG. 9 is a perspective view of a third embodiment of the toy construction element showing the new design;
FIG. 10 is a top plan view thereof, the bottom plan view being identical thereto;
FIG. 11 is a side elevation view thereof, the opposite side elevation view being identical thereto; and,
FIG. 12 is an end elevation view thereof, the opposite end elevation view being identical thereto.

1 Claim, 3 Drawing Sheets



(56)

References Cited

U.S. PATENT DOCUMENTS

1,958,508 A 5/1934 Audet
 2,609,638 A 9/1952 Lindenmeyer
 D254,752 S * 4/1980 Gabriel D21/486
 D255,472 S * 6/1980 Gabriel D21/502
 D257,270 S * 10/1980 Gabriel D21/498
 D257,271 S * 10/1980 Gabriel D21/498
 D257,365 S * 10/1980 Gabriel D21/502
 D257,366 S * 10/1980 Gabriel D21/502
 5,071,384 A 12/1991 Poulsen
 5,372,450 A 12/1994 Blodgett
 D364,199 S 11/1995 Schmidt et al.
 5,599,221 A 2/1997 Gabriel
 D394,681 S 5/1998 Pagel
 D395,469 S 6/1998 Glickman
 5,826,394 A 10/1998 Barton, Jr. et al.
 D403,028 S 12/1998 Barton, Jr. et al.
 D410,044 S 5/1999 Krog
 D415,538 S 10/1999 Krog
 6,301,747 B1 10/2001 Parein
 6,672,931 B1 1/2004 Bagley
 6,702,640 B1 3/2004 Park
 D516,635 S 3/2006 Kim
 D551,304 S 9/2007 Manvelian
 7,553,209 B1 6/2009 Sorensen
 D605,236 S 12/2009 Sinisi et al.
 D610,628 S 2/2010 Christensen et al.
 D660,664 S 5/2012 Hsu
 8,540,545 B2 9/2013 Leicht
 D706,362 S 6/2014 Norman et al.
 D706,877 S 6/2014 Norman et al.
 D711,972 S 8/2014 Norman et al.
 D711,973 S 8/2014 Norman et al.
 D712,487 S 9/2014 Strand
 D712,488 S 9/2014 Strand
 D715,873 S 10/2014 Norman et al.

D720,408 S 12/2014 Webb
 D721,406 S 1/2015 Webb
 D724,676 S 3/2015 Winkelmann
 9,017,133 B2 4/2015 Rolf
 D743,581 S * 11/2015 Wakiyama D25/199
 D755,902 S 5/2016 Chen et al.
 D757,860 S 5/2016 Coachella
 D762,267 S 7/2016 Glasband et al.
 D775,694 S * 1/2017 Kaplan D21/486
 D777,846 S 1/2017 Greaves et al.
 9,664,222 B2 5/2017 Evitt
 D805,656 S 12/2017 Huizinga
 10,888,797 B2 * 1/2021 De Wilde A63H 33/106
 2005/0272301 A1 12/2005 Bruder
 2007/0264901 A1 11/2007 Sisamos
 2008/0267696 A1 10/2008 De Wilde
 2009/0004946 A1 1/2009 Sinisi et al.
 2009/0290932 A1 11/2009 Silbereisen et al.
 2011/0039474 A1 2/2011 Bruder
 2013/0165012 A1 6/2013 Klauber et al.
 2013/0195547 A1 8/2013 De Wilde
 2014/0273712 A1 9/2014 Uttley et al.
 2015/0251104 A1 9/2015 Lange et al.
 2018/0056207 A1 3/2018 Bagley

FOREIGN PATENT DOCUMENTS

DE 8332034 U1 2/1984
 EM 003453430-0001 11/2016
 WO WO 2000/057979 10/2000
 WO WO 2007/035081 A1 3/2007

OTHER PUBLICATIONS

<http://business.twickto.com/assortment/theme-packs/construction/>
 Uploaded Jan. 2017 (Year: 2017).

* cited by examiner

FIG. 1

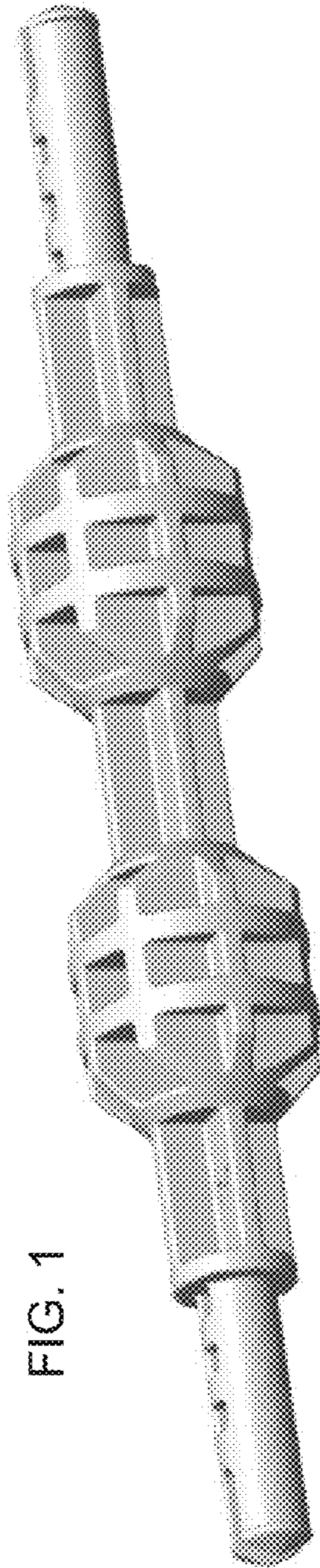


FIG. 2

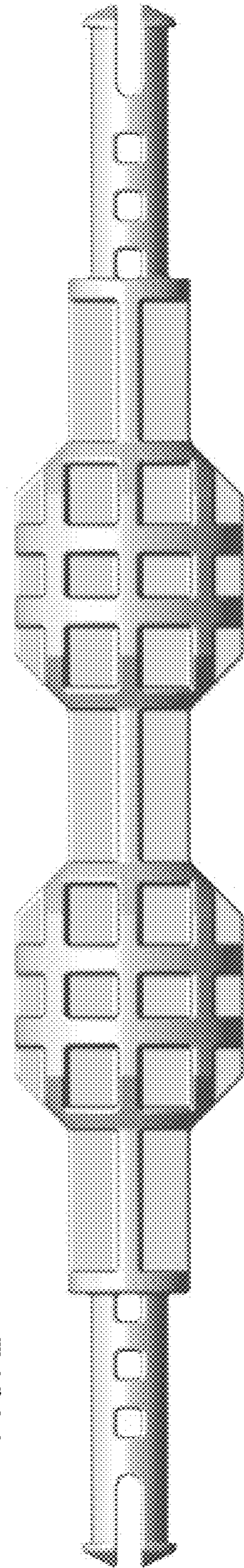


FIG. 3

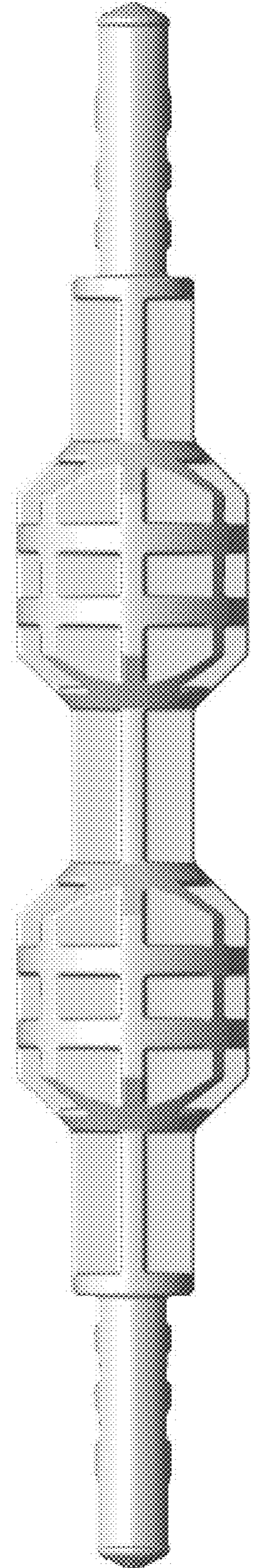


FIG. 4

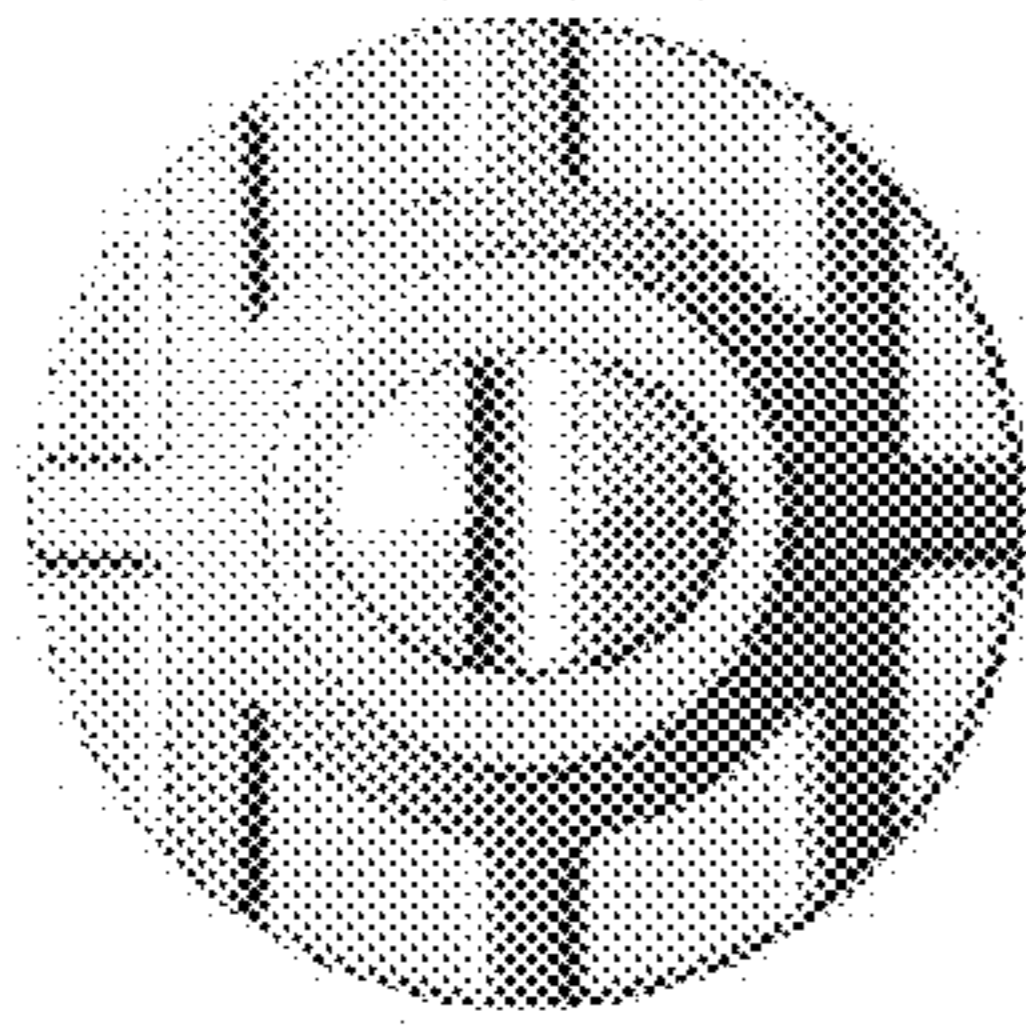


FIG. 5

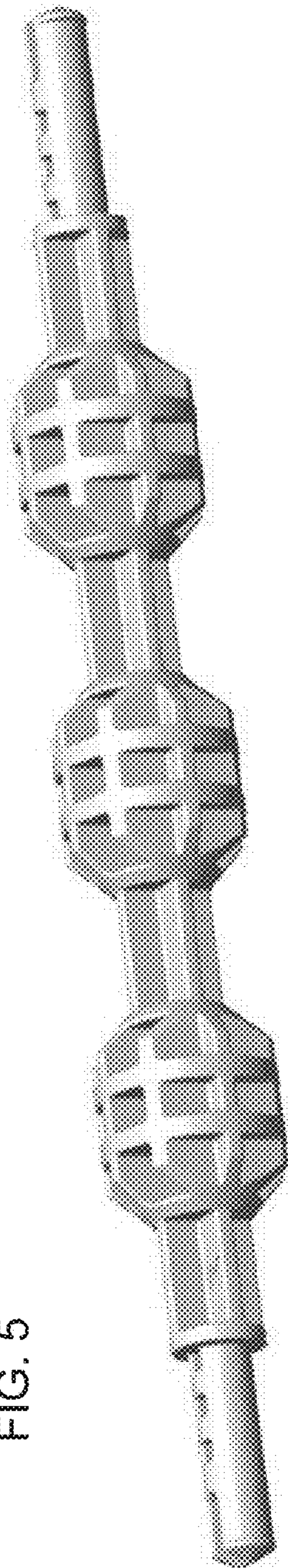


FIG. 8

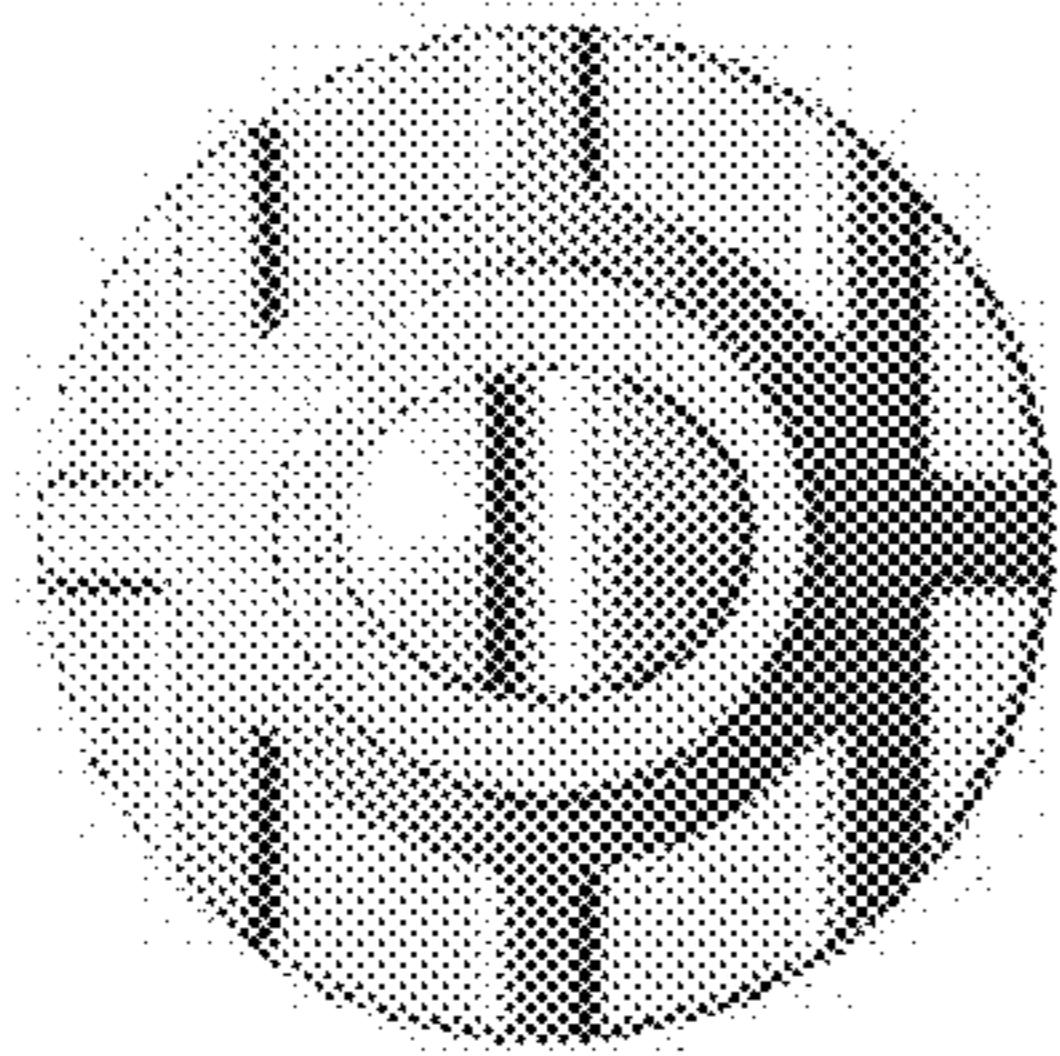


FIG. 6

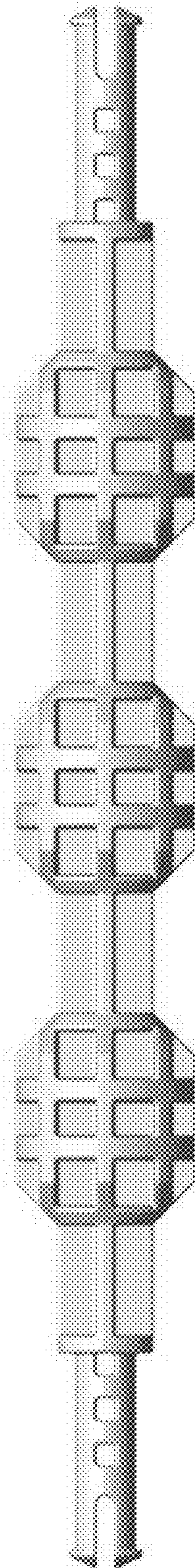


FIG. 7

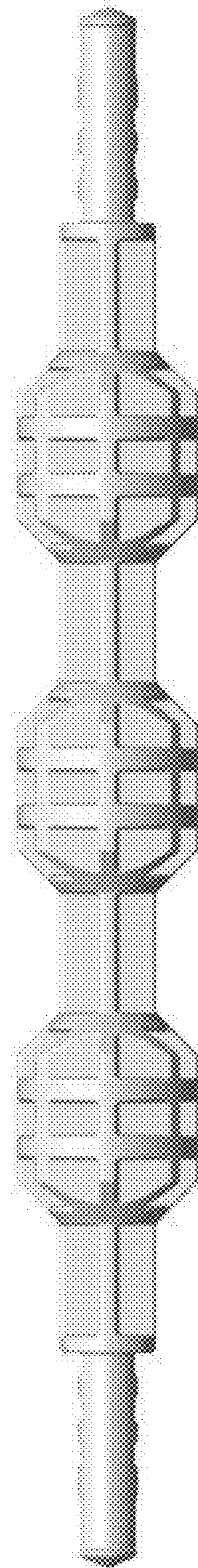


FIG. 9

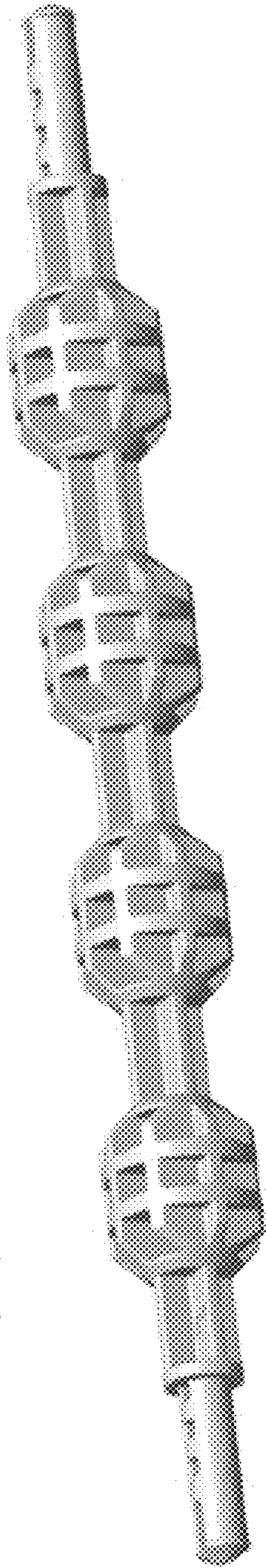


FIG. 12

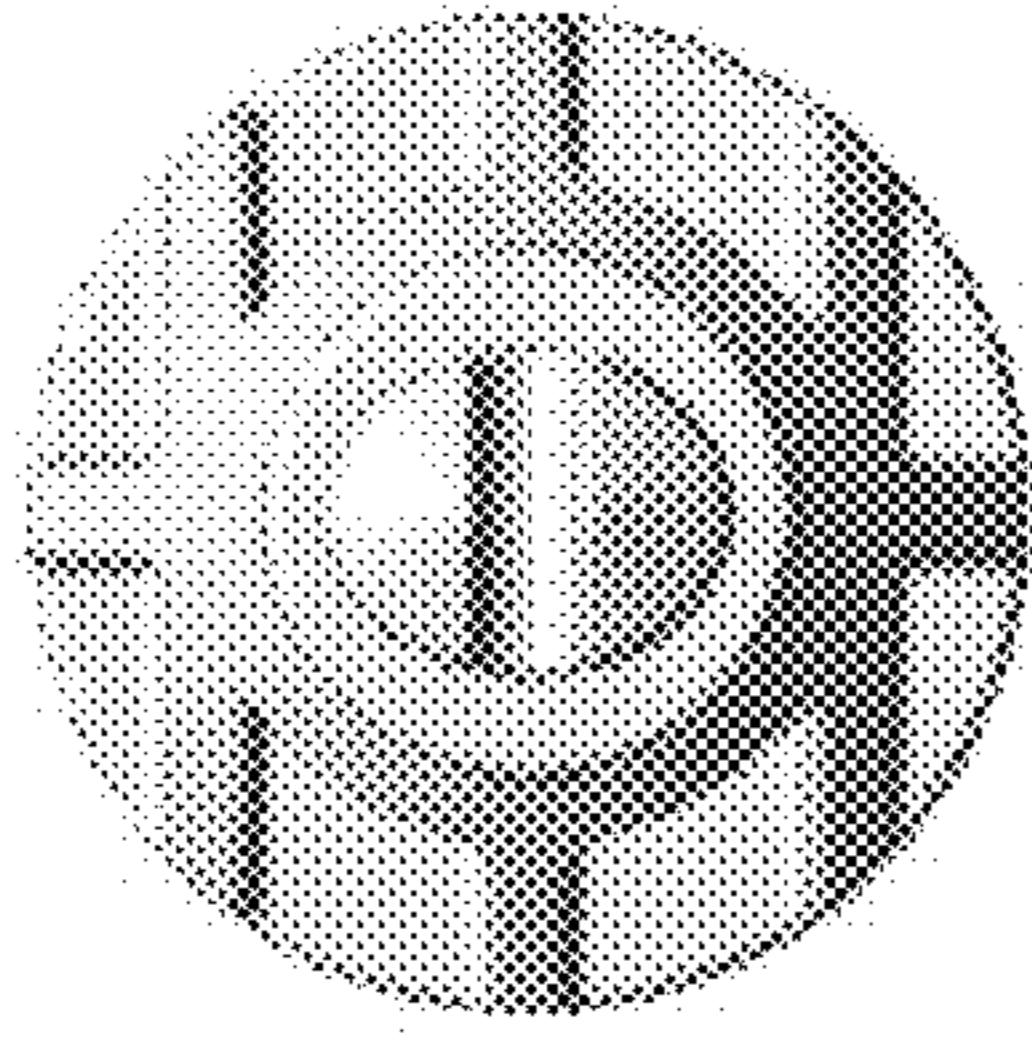


FIG. 10

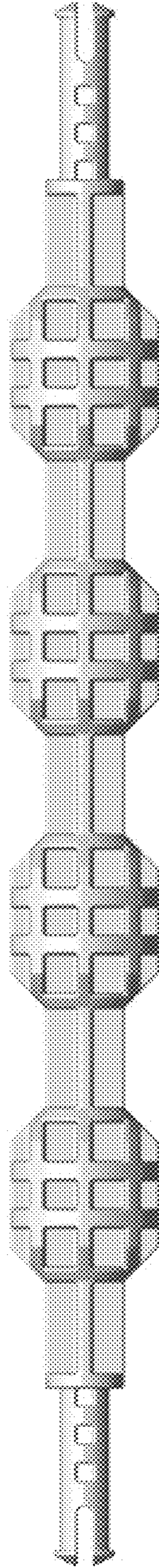


FIG. 11

