



US00D923716S

(12) **United States Design Patent** (10) **Patent No.:** **US D923,716 S**
Liu et al. (45) **Date of Patent:** **** Jun. 29, 2021**

(54) **SCOOTER**

B62D 61/06; B62D 61/065; B62D 61/08;
B62K 11/00; B62K 11/007

See application file for complete search history.

(71) Applicant: **NINEBOT (BEIJING) TECH. CO., LTD**, Beijing (CN)

(56) **References Cited**

(72) Inventors: **Xing Liu**, Beijing (CN); **Yan Wang**, Beijing (CN); **Jimbo Shao**, Beijing (CN); **Lei Liu**, Beijing (CN); **Bo Peng**, Beijing (CN)

U.S. PATENT DOCUMENTS

D654,965 S * 2/2012 Herlitz D21/423
D804,581 S * 12/2017 Schindele D21/423
D832,930 S * 11/2018 Shen D21/423
D835,206 S * 12/2018 Lin D21/423

(Continued)

(73) Assignee: **NINEBOT (BEIJING) TECH. CO., LTD**, Beijing (CN)

FOREIGN PATENT DOCUMENTS

CN 302594621 S 10/2013
CN 302826419 S 5/2014

(Continued)

(**) Term: **15 Years**

Primary Examiner — George D. Kirschbaum

Assistant Examiner — Joseph J Kukella

(21) Appl. No.: **35/509,267**

(74) *Attorney, Agent, or Firm* — Polson Intellectual Property Law, PC; Margaret Polson

(22) Filed: **Jan. 6, 2020**

(80) **Hague Agreement Data**

(57) **CLAIM**

The ornamental design for a scooter, as shown and described.

Int. Filing Date: **Jan. 6, 2020**

Int. Reg. No.: **DM/207720**

Int. Reg. Date: **Jan. 6, 2020**

Int. Reg. Pub. Date: **May 8, 2020**

DESCRIPTION

The patent or application file contains at least one drawing executed in color. Copies of this patent or patent application publication with color drawing(s) will be provided by the Office upon request and payment of the necessary fee.

(30) **Foreign Application Priority Data**

Jul. 31, 2019 (CN) 201930414217.0

(51) **LOC (13) Cl.** **12-11**

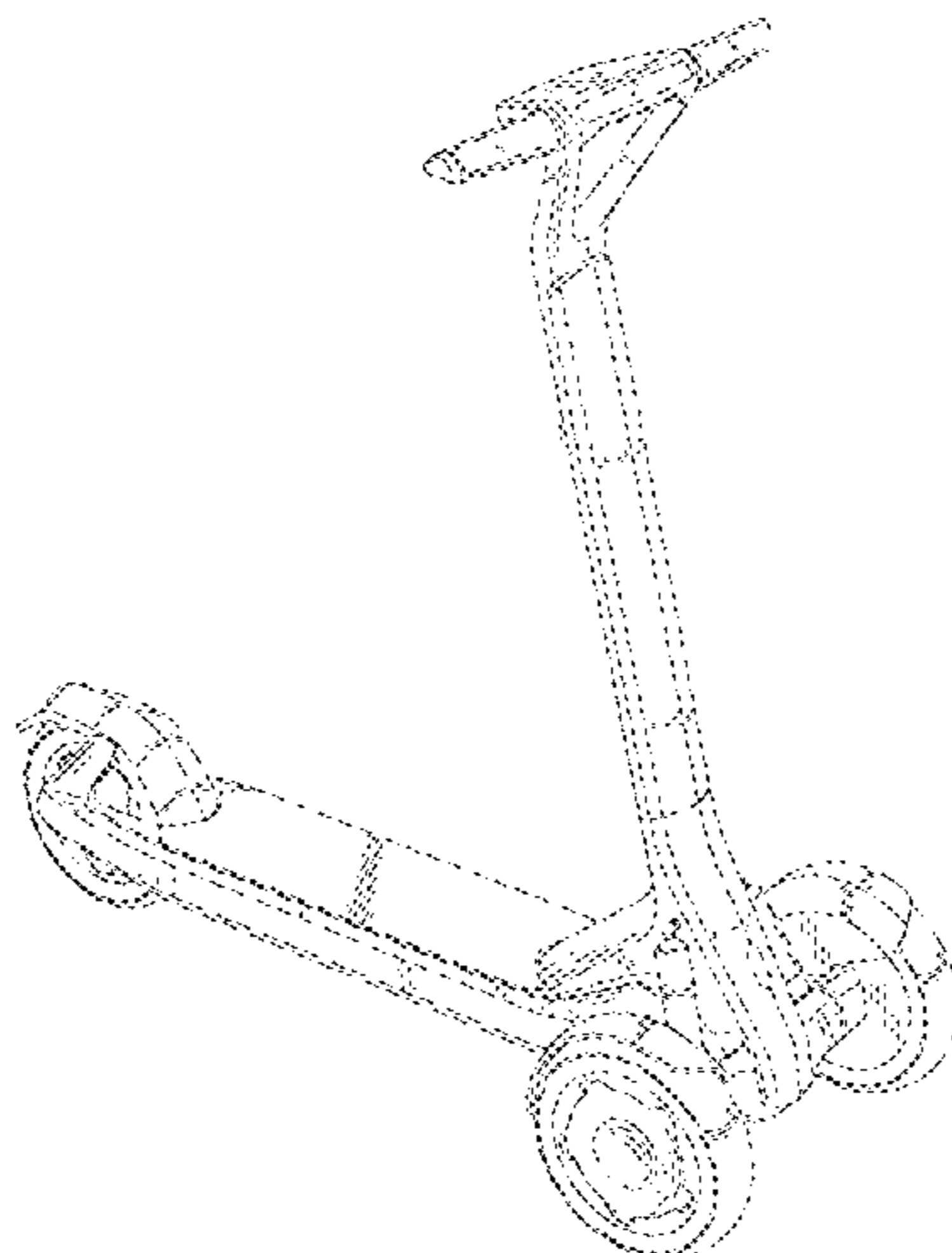
(52) **U.S. Cl.**
USPC **D21/423**

(58) **Field of Classification Search**
USPC D12/85, 107, 109, 110, 111, 112, 113;
D21/423

- 1.-2. Scooter
- 1.1 : Front
- 1.2 : Back
- 1.3 : Left
- 1.4 : Right
- 1.5 : Top
- 1.6 : Bottom
- 1.7 : Perspective
- 2.1 : Front
- 2.2 : Back
- 2.3 : Left

CPC B62D 51/00; B62D 51/001; B62D 51/02;

(Continued)



- 2.4 : Right
- 2.5 : Top
- 2.6 : Bottom
- 2.7 : Perspective

1 Claim, 14 Drawing Sheets
(7 of 14 Drawing Sheet(s) Filed in Color)

(56) **References Cited**

U.S. PATENT DOCUMENTS

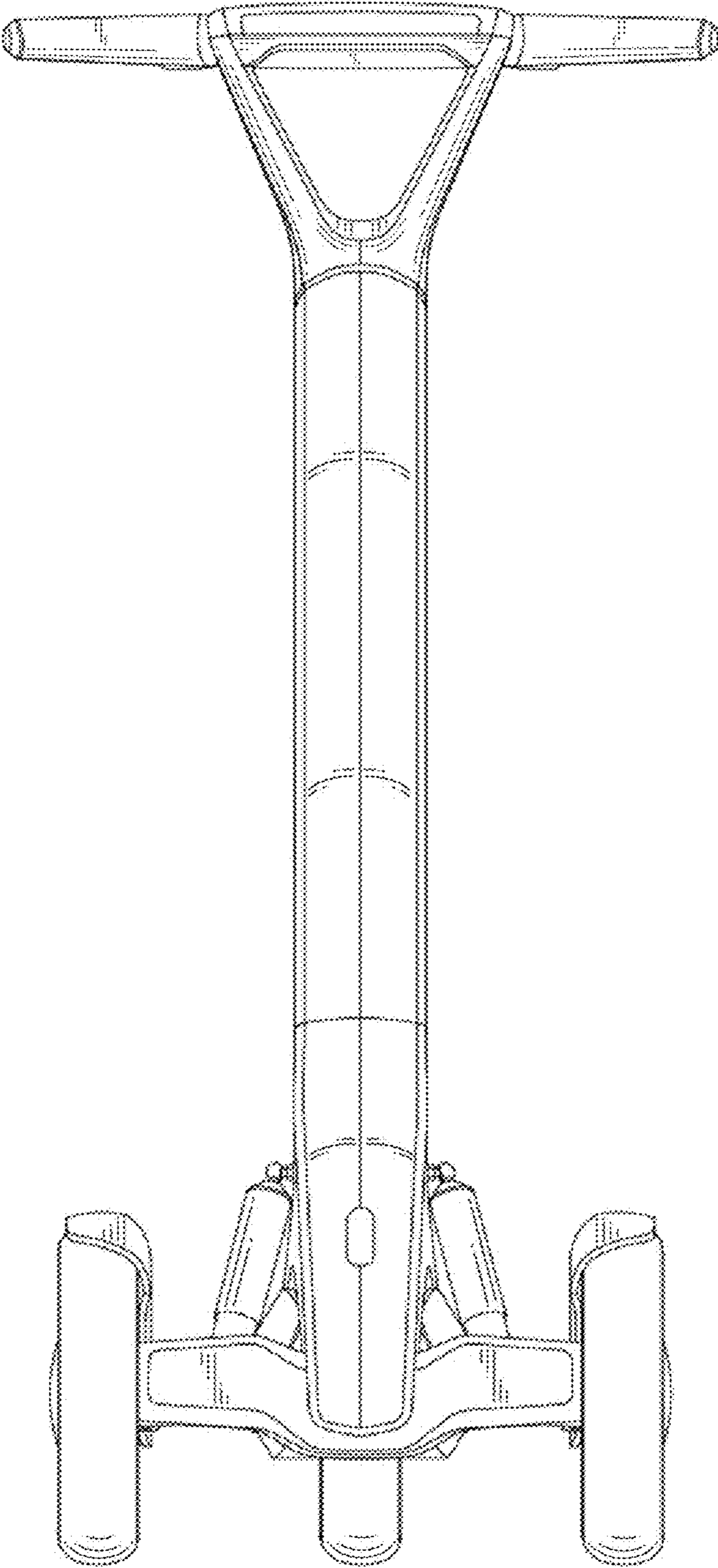
D866,674 S	*	11/2019	Li	D21/423
D872,191 S	*	1/2020	Lee	D21/423
D884,085 S	*	5/2020	Li	D21/423
D897,446 S	*	9/2020	Lee	D21/423
D900,237 S	*	10/2020	Lee	D21/423
D908,806 S	*	1/2021	Wang	D21/423
D908,807 S	*	1/2021	Wang	D21/423

FOREIGN PATENT DOCUMENTS

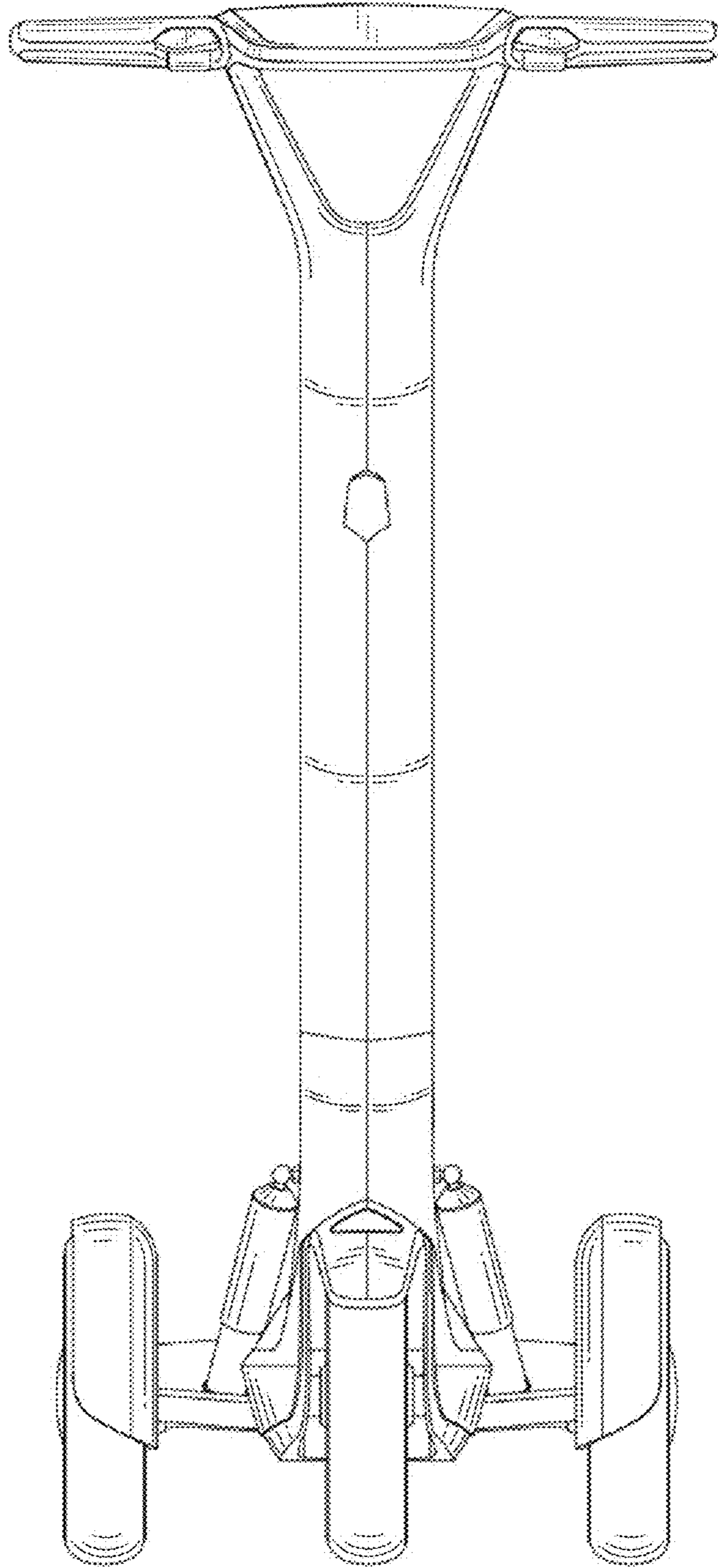
CN	303440426 S	11/2015
CN	304359751 S	11/2017
CN	304359758 S	11/2017
CN	304483425 S	1/2018
CN	304665810 S	6/2018
CN	304753366 S	7/2018
CN	304768344 S	8/2018
CN	304981627 S	1/2019
CN	305093583 S	4/2019
CN	305228252 S	6/2019
KR	3020140001116	11/2014
WO	DM/063279	5/2003

* cited by examiner

1.1



1.2



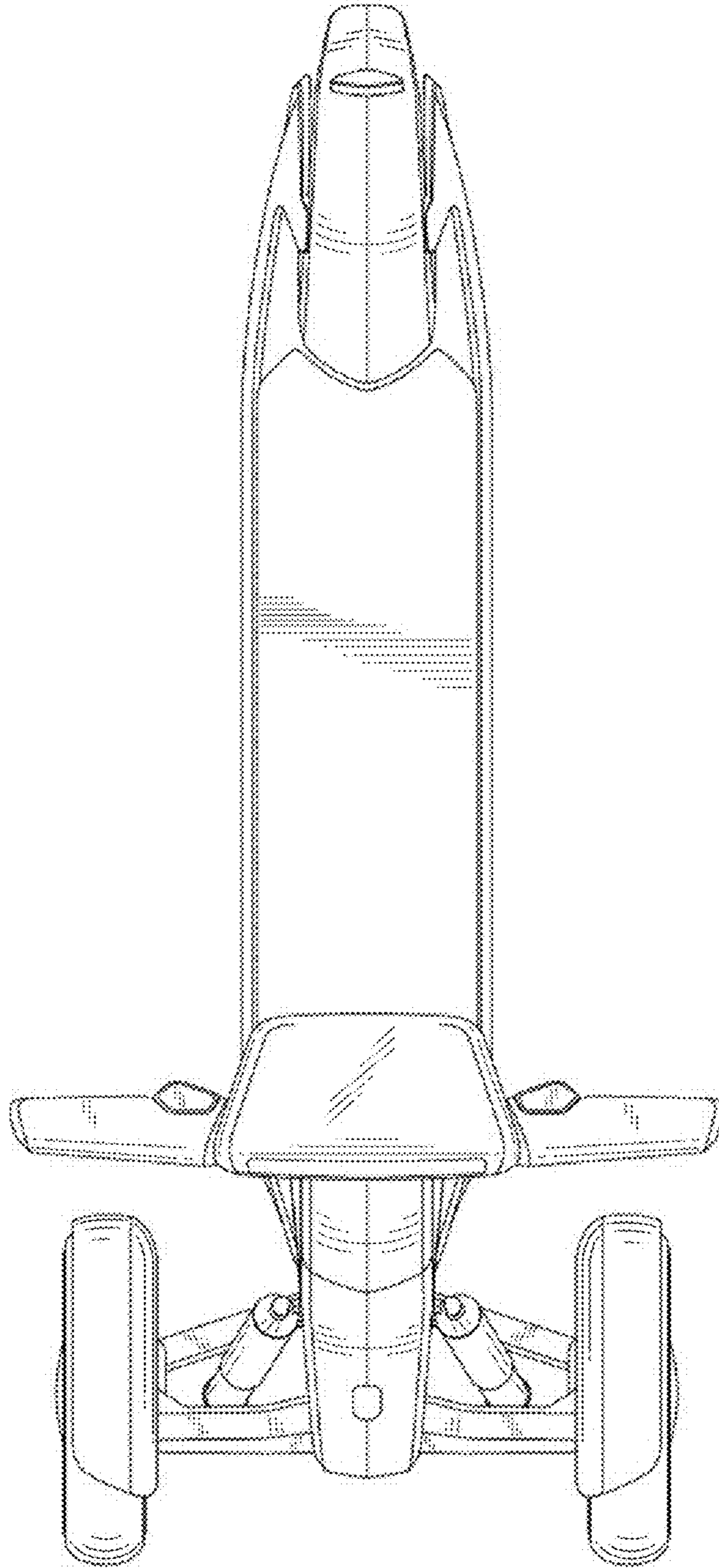
1.3



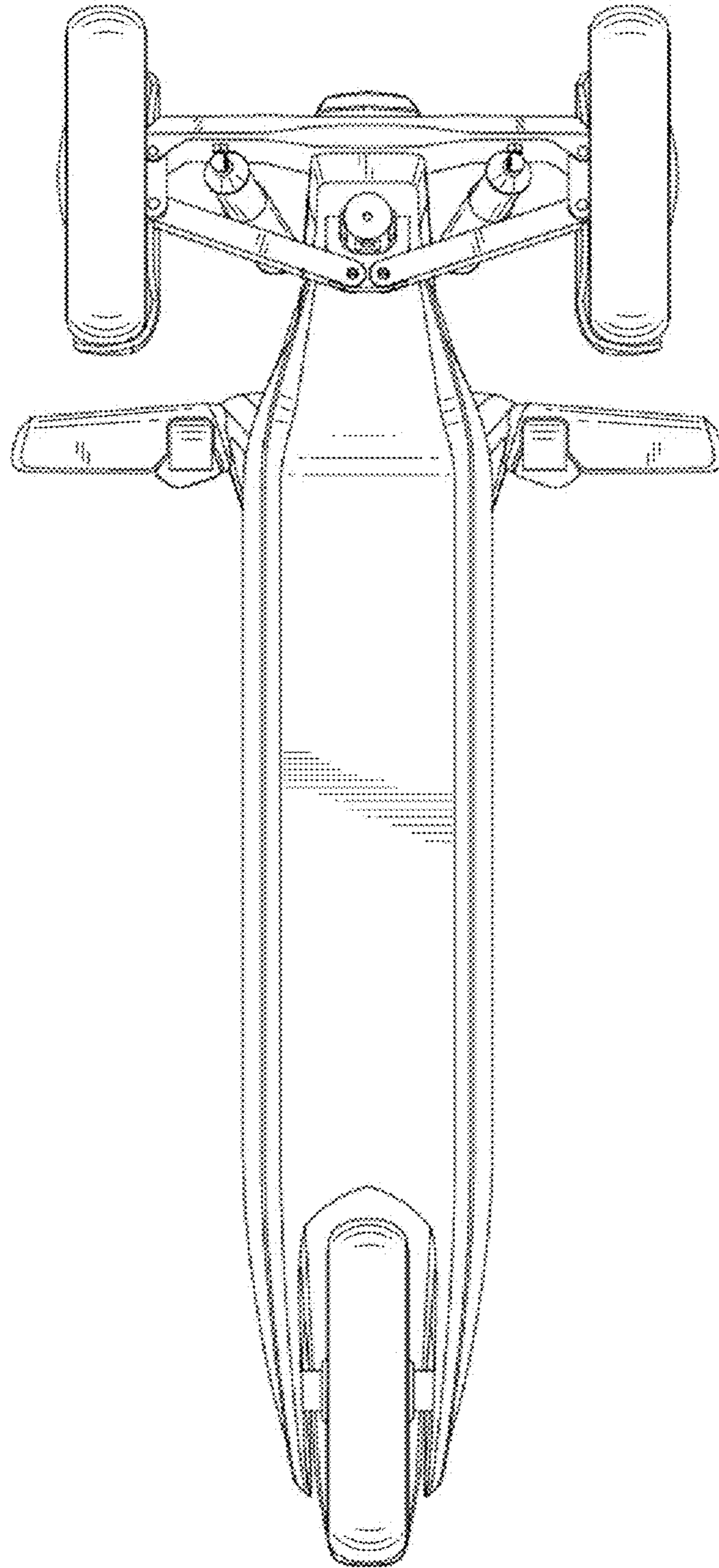
1.4



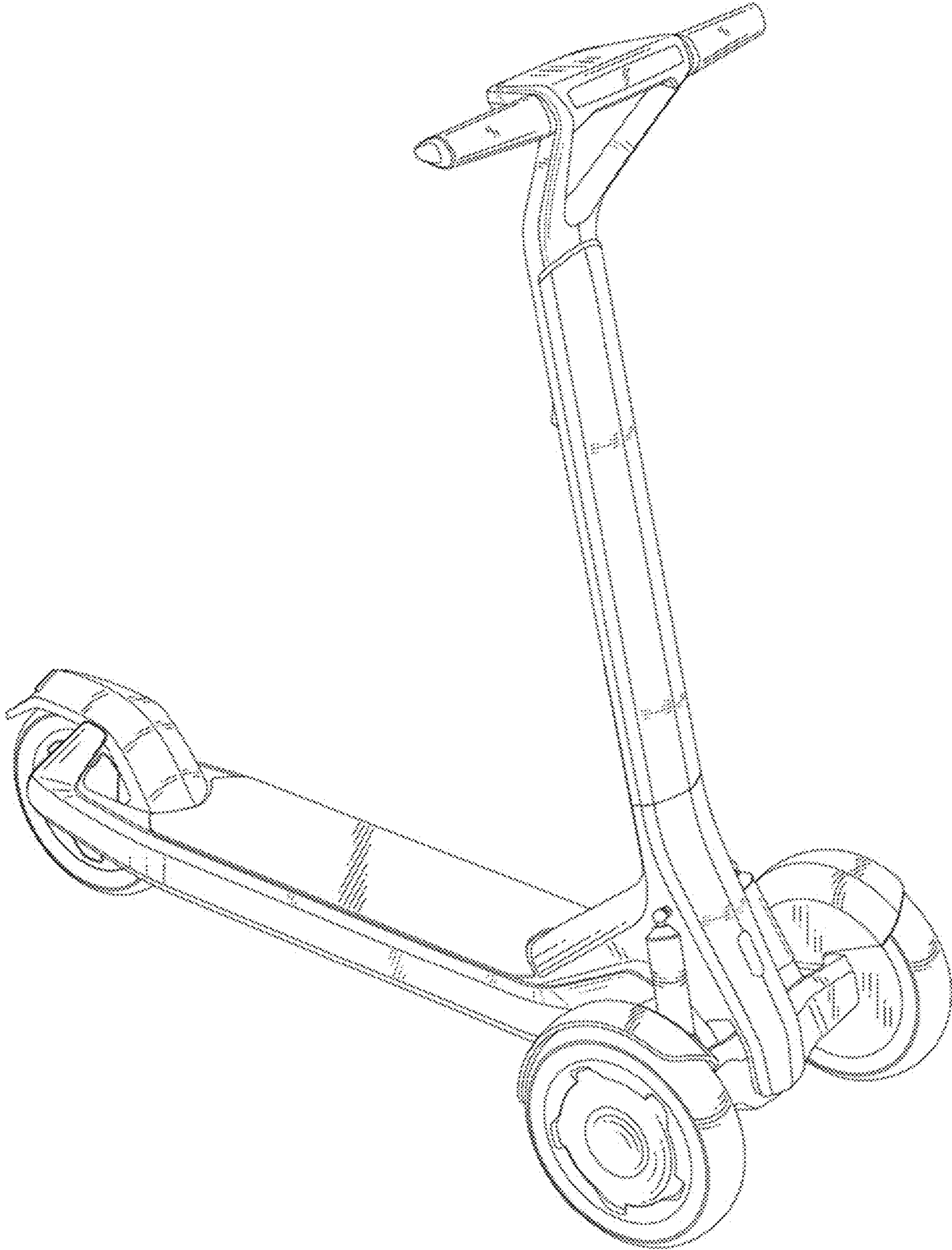
1.5



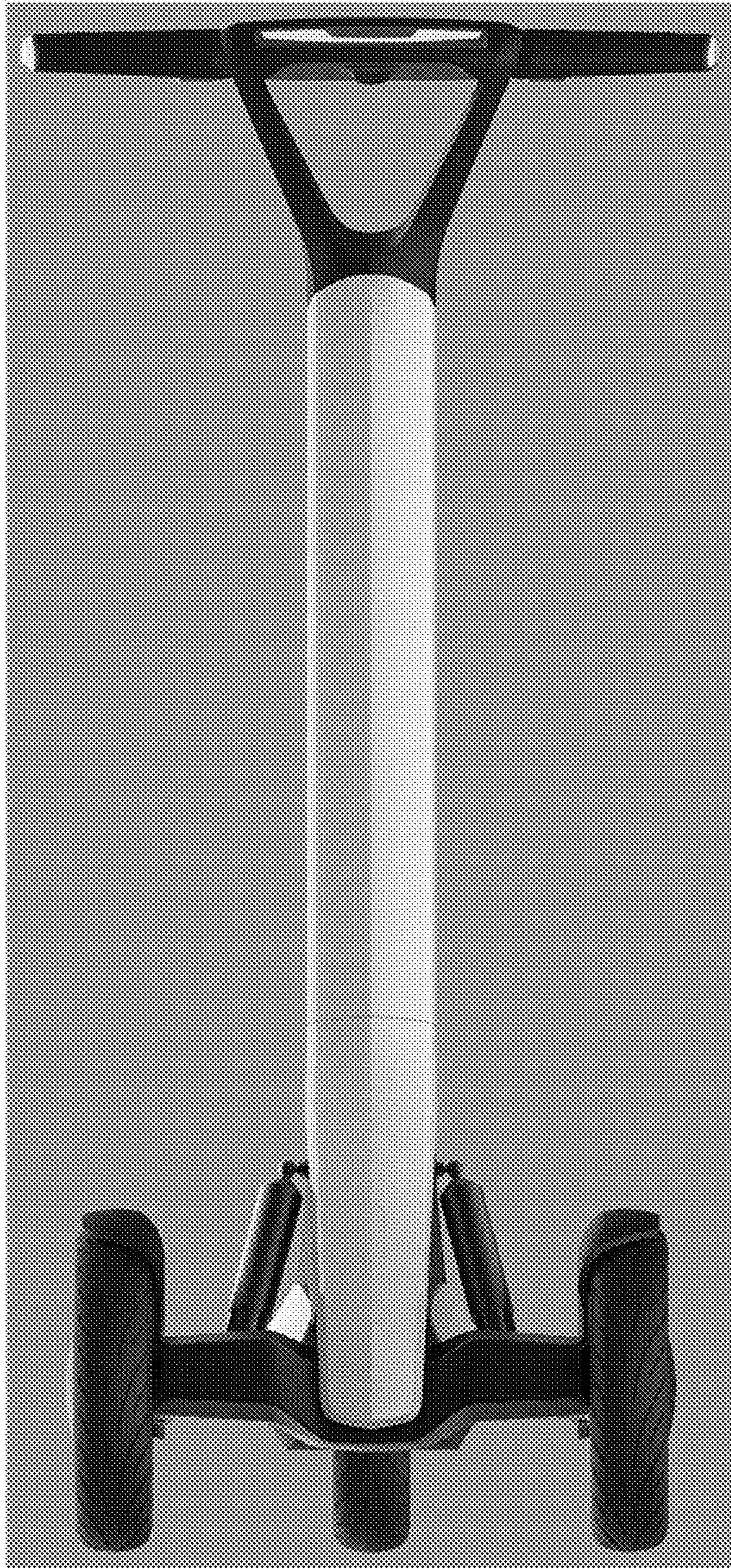
1.6



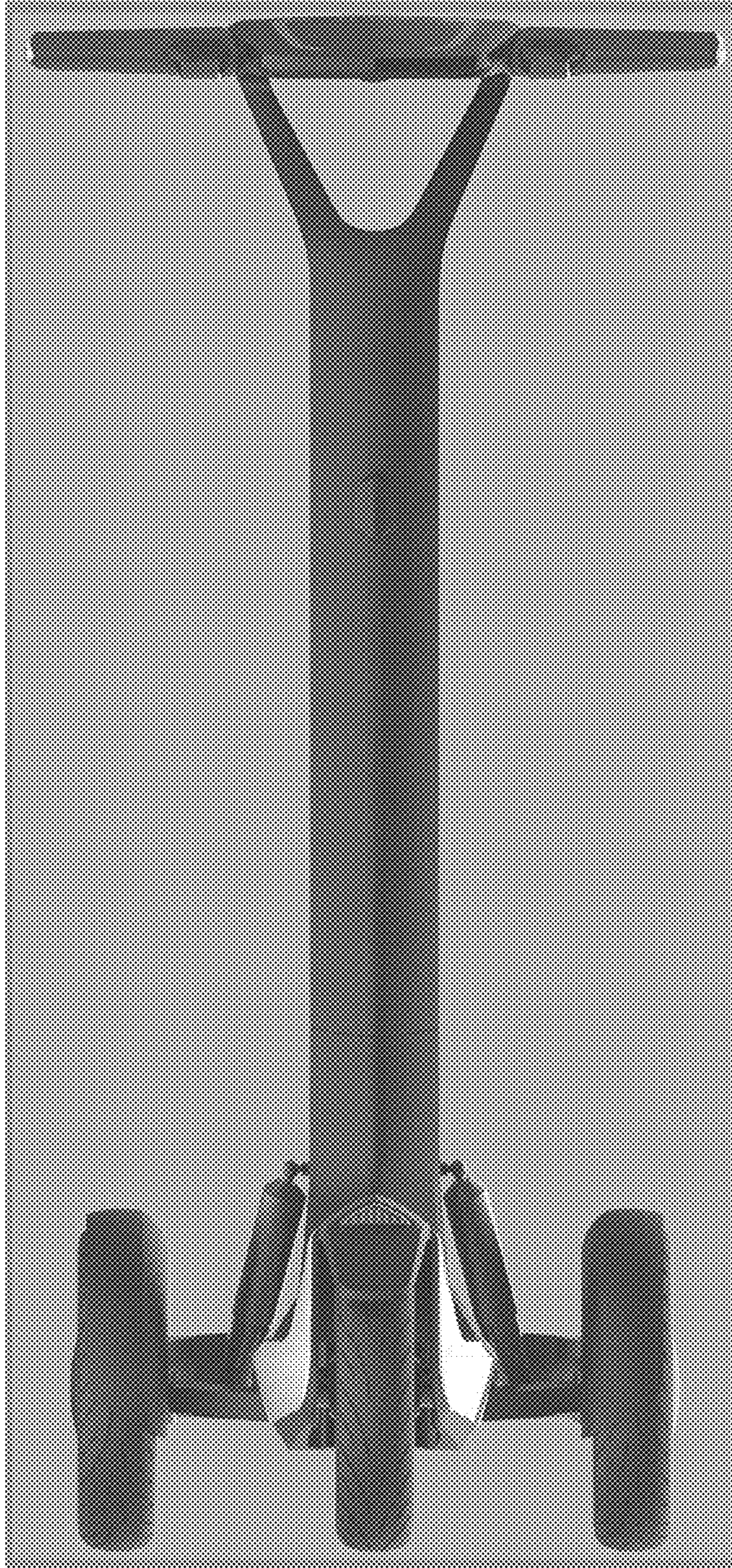
1.7



2.1



2.2



2.3



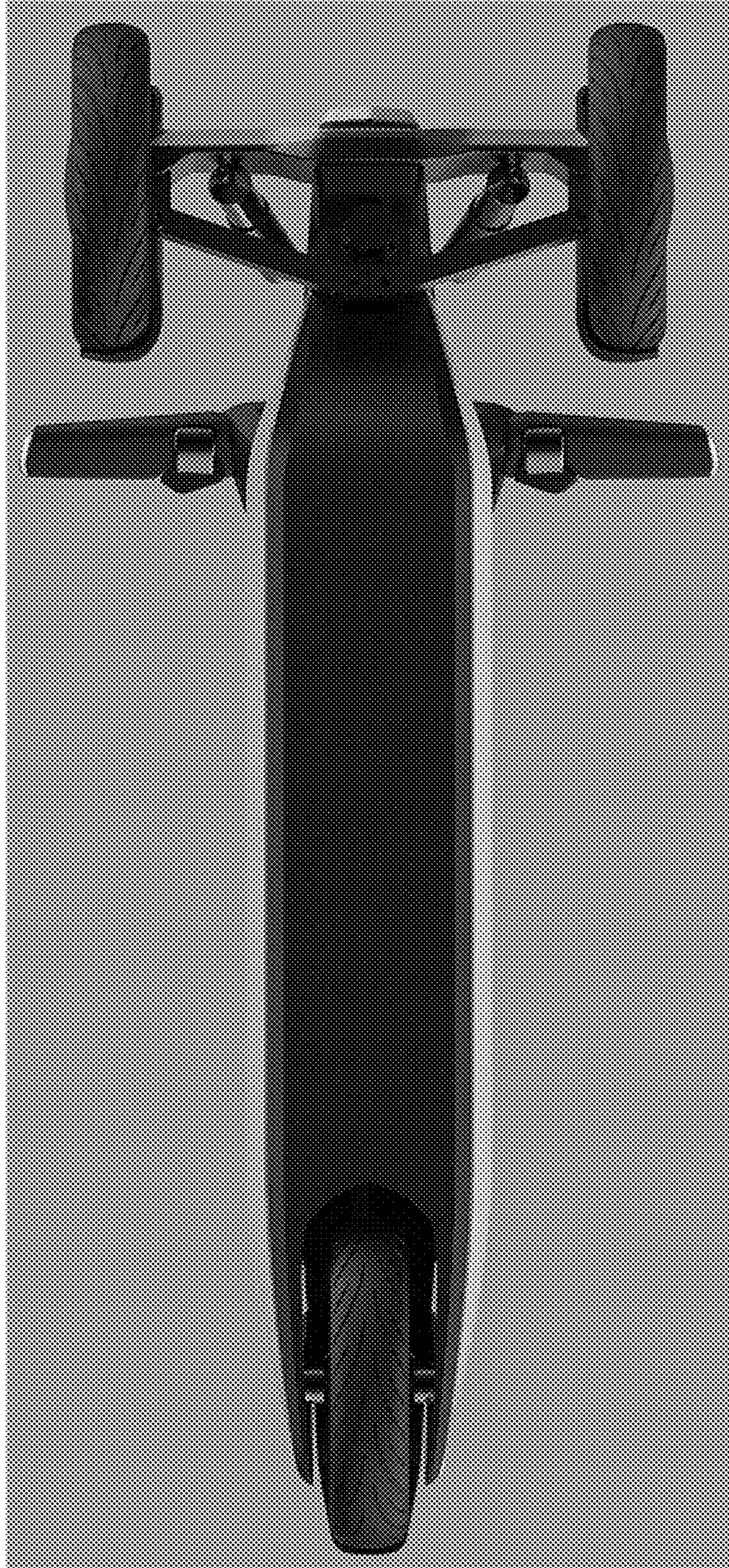
2.4



2.5



2.6



2.7

