



US00D923714S

(12) **United States Design Patent**
Shen

(10) **Patent No.:** **US D923,714 S**

(45) **Date of Patent:** **** Jun. 29, 2021**

(54) **ELECTRIC FOLDING SCOOTER**

(71) Applicant: **Ao Shen**, Shenzhen (CN)

(72) Inventor: **Ao Shen**, Shenzhen (CN)

(**) Term: **15 Years**

(21) Appl. No.: **29/714,078**

(22) Filed: **Nov. 21, 2019**

(51) **LOC (13) Cl.** **21-01**

(52) **U.S. Cl.**
USPC **D21/423**

(58) **Field of Classification Search**
USPC D21/419, 421, 423, 432, 435, 760, 763,
D21/765, 771; D12/1, 110
CPC B62K 3/002; B62K 9/00; B62K 2202/00;
B62K 15/00; B62K 2015/001; B62K
2015/003; B60Y 2200/126
See application file for complete search history.

(56) **References Cited**

U.S. PATENT DOCUMENTS

D829,826 S * 10/2018 Liu D21/423
D834,097 S * 11/2018 Lin D21/423

D849,153 S * 5/2019 Zhang D21/423
D858,647 S * 9/2019 Liu D21/423
D872,191 S * 1/2020 Lee D21/423
D886,907 S * 6/2020 Gao D21/423
D897,446 S * 9/2020 Lee D21/423
D900,237 S * 10/2020 Lee D21/423
D905,793 S * 12/2020 Yang D21/423
D905,794 S * 12/2020 Liu D21/423
2020/0283086 A1 * 9/2020 Ulmen B62M 6/65

* cited by examiner

Primary Examiner — Cynthia M. Chin

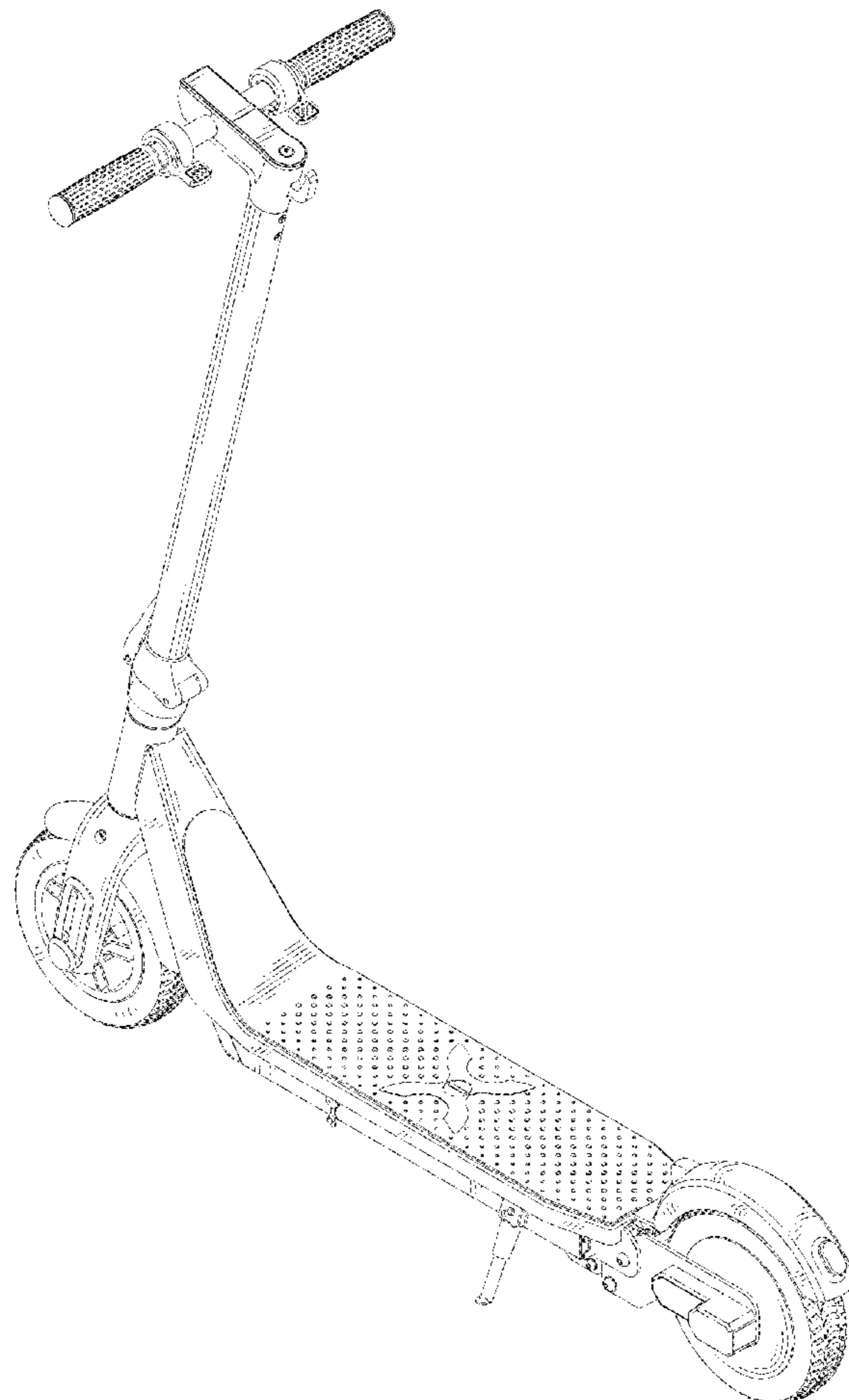
(57) **CLAIM**

The ornamental design for an “electric folding scooter”, as shown and described.

DESCRIPTION

FIG. 1 is a front, top and right side perspective view of an electric folding scooter, showing my new design;
FIG. 2 is a front view thereof;
FIG. 3 is a rear view thereof;
FIG. 4 is a left side view thereof;
FIG. 5 is a right side view thereof;
FIG. 6 is a top plan view thereof; and,
FIG. 7 is a bottom plan view thereof.
The broken lines are for the purpose of illustrating portions of the article that form no part of the claimed design.

1 Claim, 7 Drawing Sheets



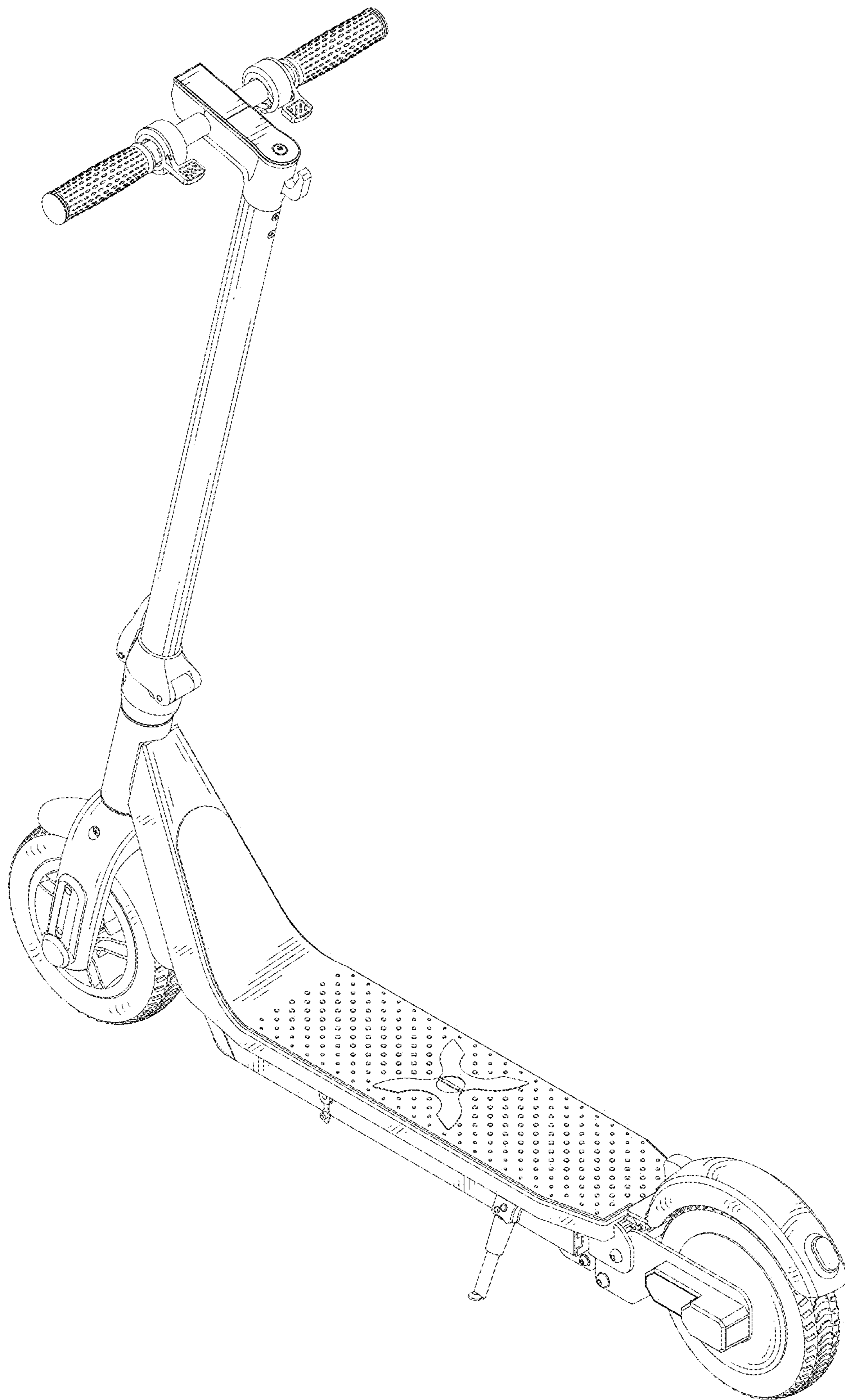


FIG. 1

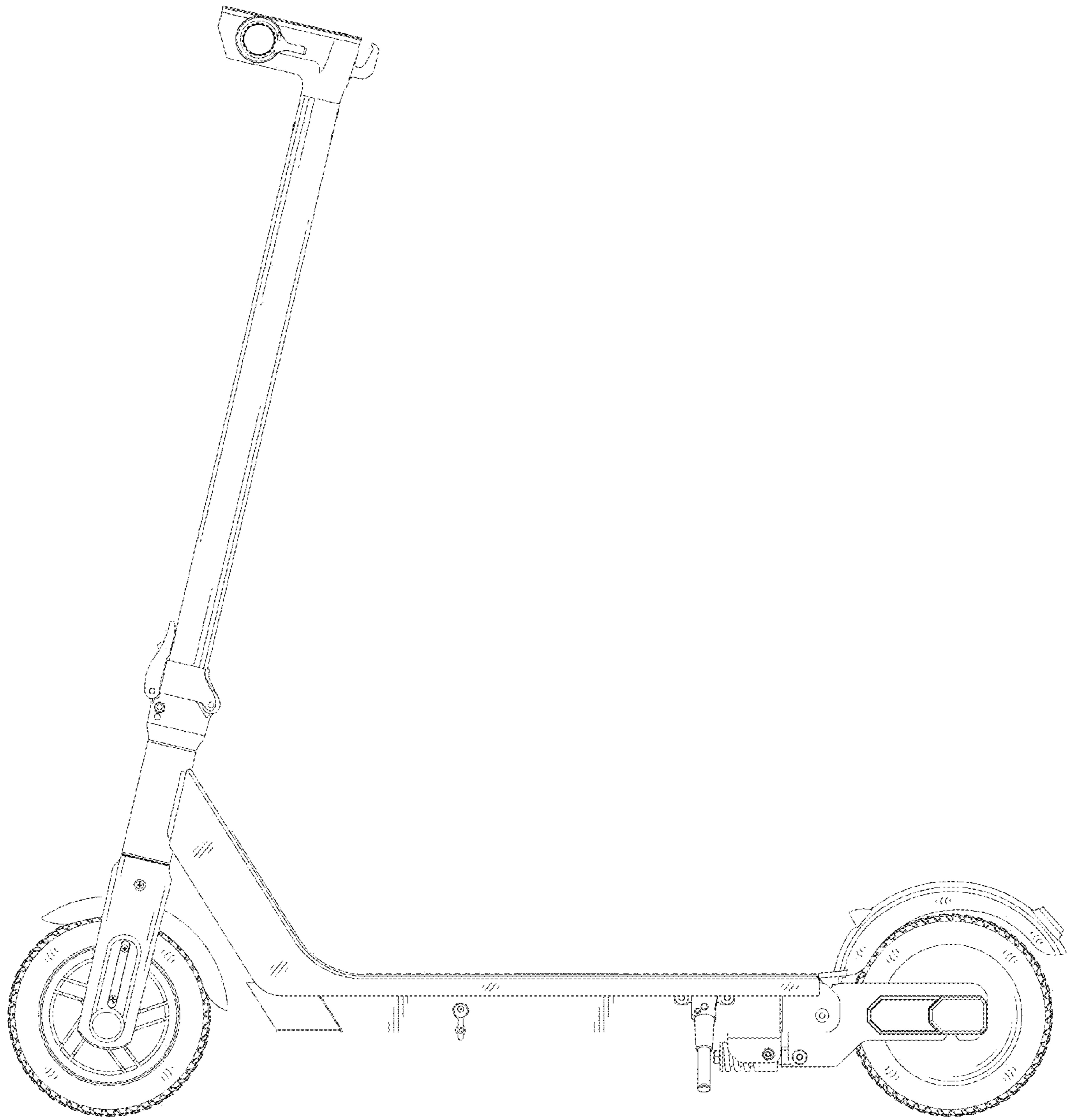


FIG. 2

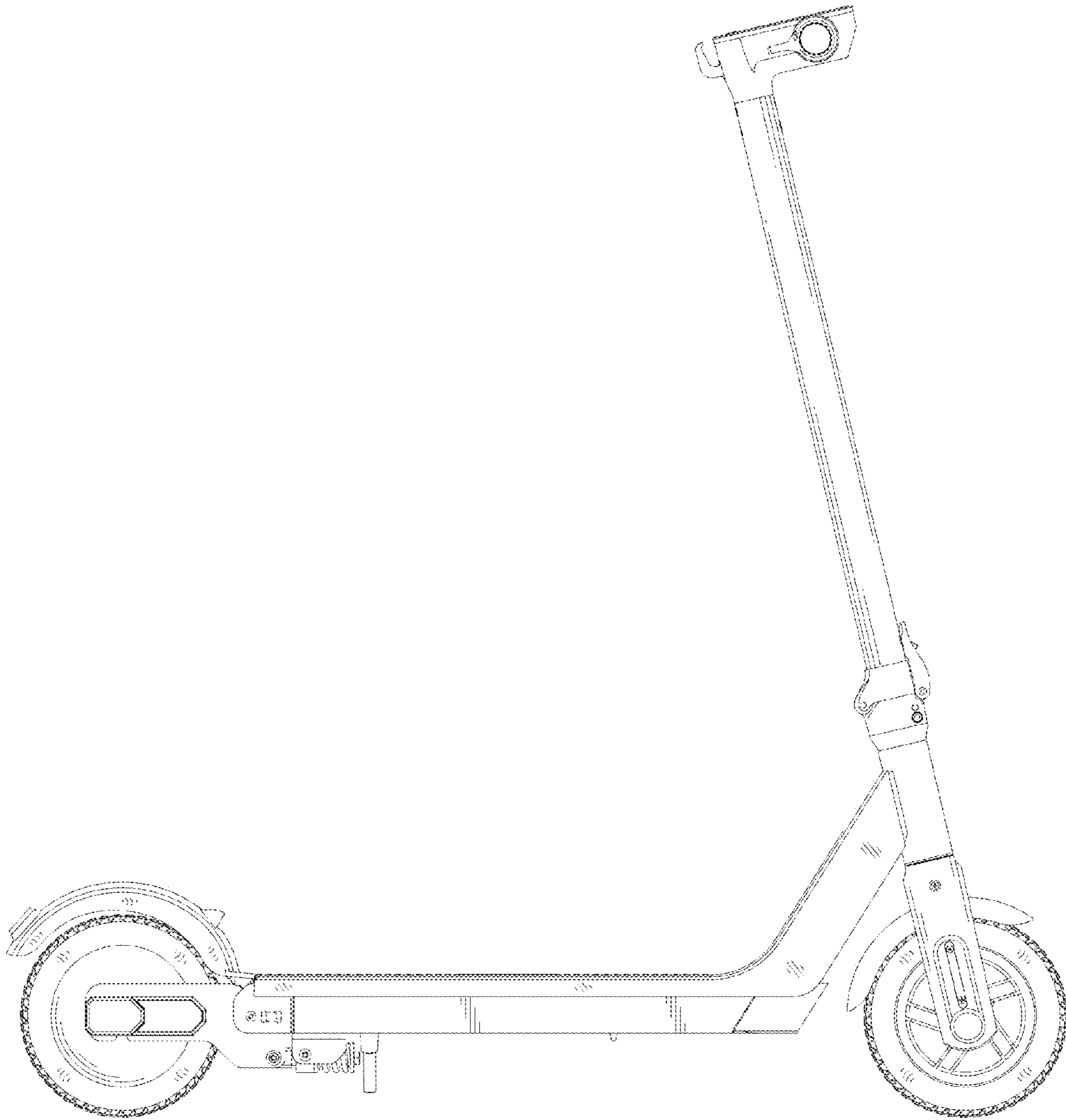


FIG. 3

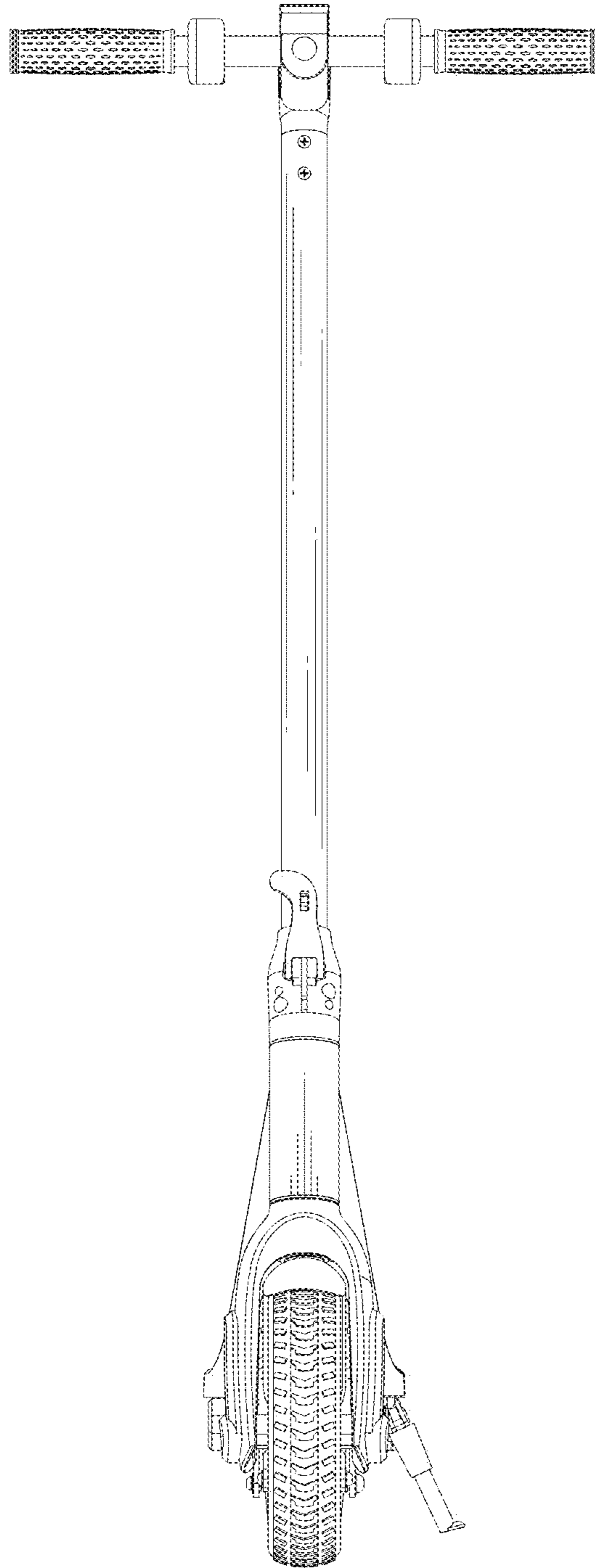


FIG. 4

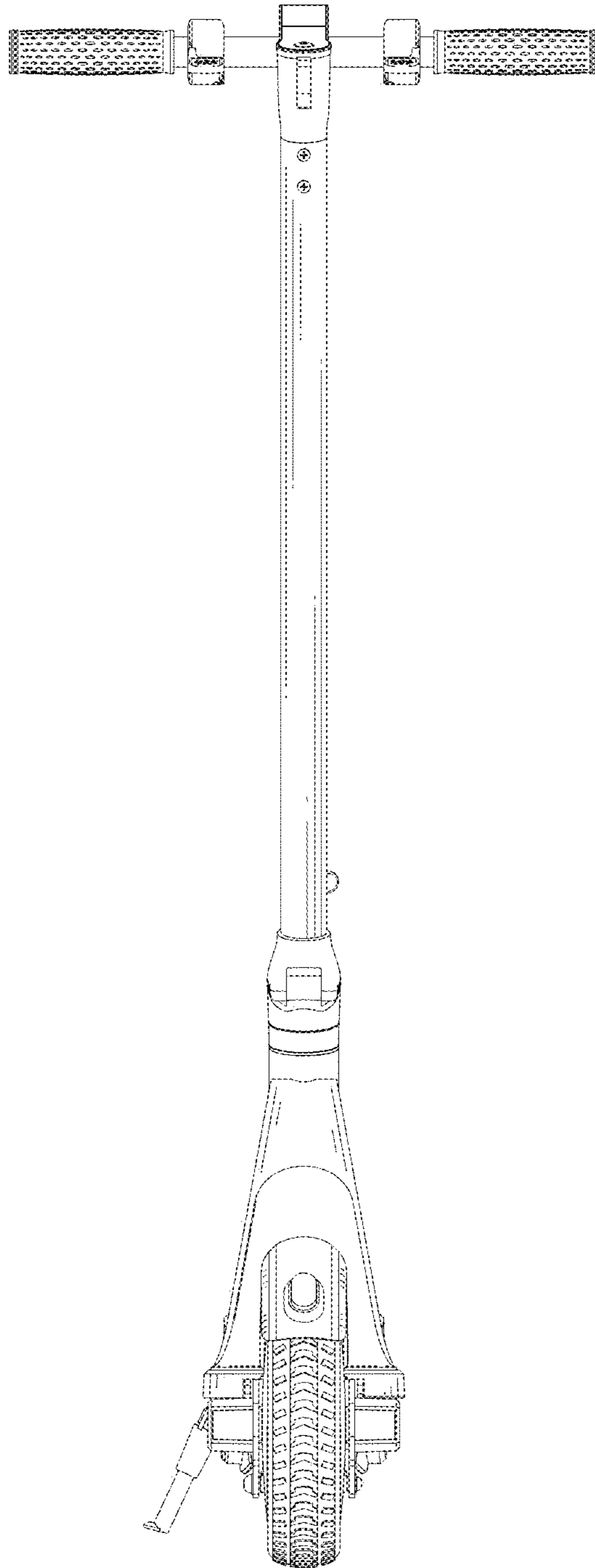


FIG. 5

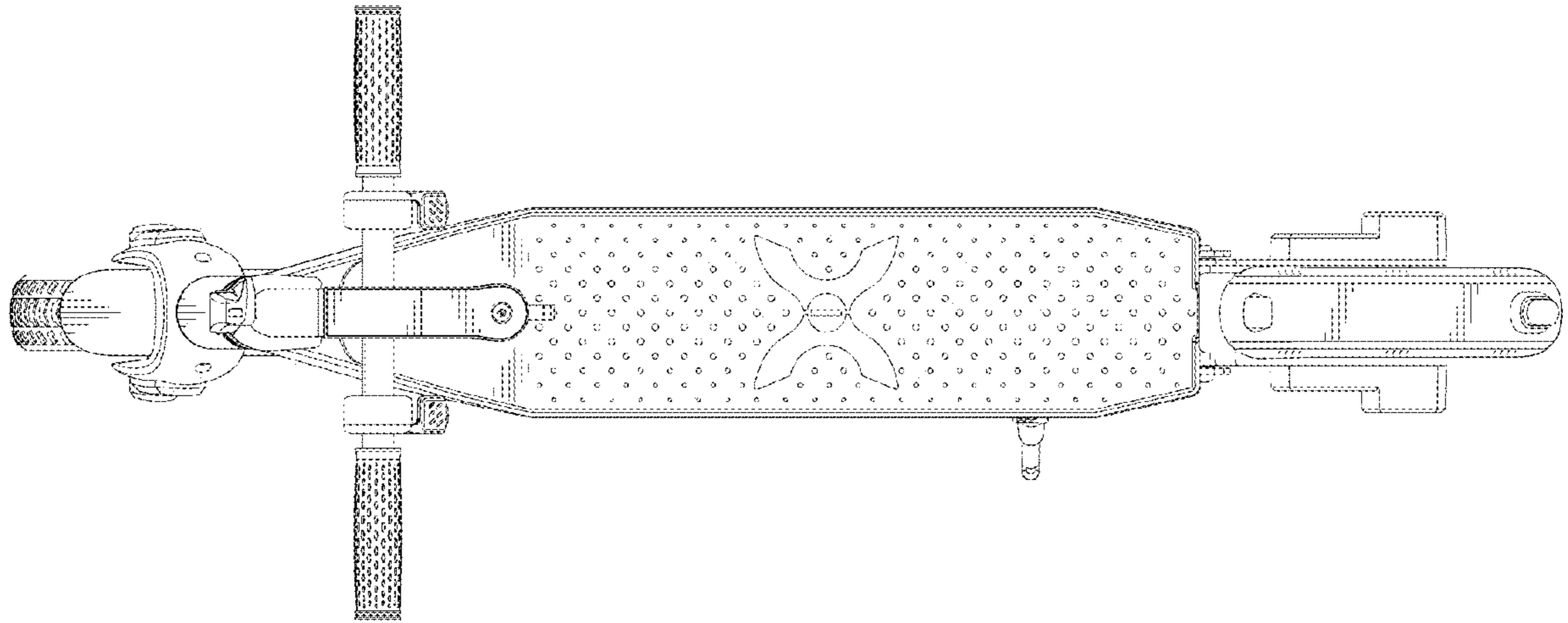


FIG. 6

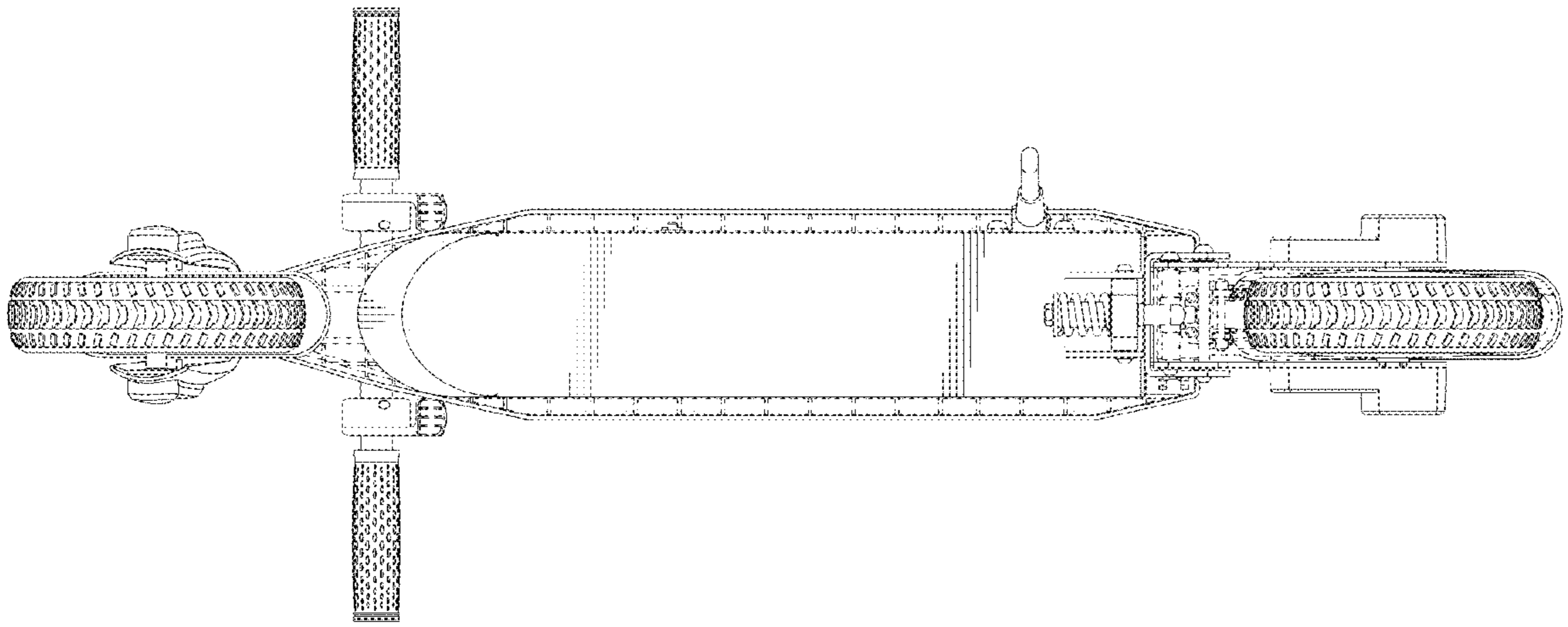


FIG. 7