



US00D923712S

(12) **United States Design Patent**
Yang

(10) **Patent No.:** **US D923,712 S**

(45) **Date of Patent:** **** Jun. 29, 2021**

(54) **TWO-PLAYER PINBALL MACHINE**

(71) Applicant: **Chung-Po Yang**, Kaohsiung (TW)

(72) Inventor: **Chung-Po Yang**, Kaohsiung (TW)

(**) Term: **15 Years**

(21) Appl. No.: **29/682,803**

(22) Filed: **Mar. 7, 2019**

(30) **Foreign Application Priority Data**

Jan. 16, 2019 (TW) 108300291

(51) **LOC (13) Cl.** **21-01**

(52) **U.S. Cl.**
USPC **D21/323**

(58) **Field of Classification Search**
USPC D21/302, 303, 312, 322, 323, 324;
273/119 A, 119 R, 121 A, 121 R, 123 R,
273/30, 285, 126 A, 126 R, 309, 355,
273/357, 399
CPC A63F 7/027; A63F 7/3065; A63F 7/3075;
G07F 17/38; G07F 17/3246

See application file for complete search history.

(56) **References Cited**

U.S. PATENT DOCUMENTS

- D248,250 S * 6/1978 Langieri D21/323
- 4,162,793 A * 7/1979 Cummings A63F 7/027
273/121 A
- D253,120 S * 10/1979 Bretschger D21/323
- 4,323,241 A * 4/1982 Deutsch A63F 7/027
273/121 A
- 4,354,680 A * 10/1982 Kmiec A63F 7/027
273/121 A

- 4,375,286 A * 3/1983 Seitz A63F 7/027
273/121 A
- 4,971,324 A * 11/1990 Grabel A63F 7/027
273/119 A
- 5,064,196 A * 11/1991 Gottlieb A63F 7/027
273/110
- 5,088,736 A * 2/1992 Chuang A63F 7/027
273/119 R
- 5,516,103 A * 5/1996 Lawlor A63F 7/3065
273/118 R
- 6,158,737 A * 12/2000 Cornell A63F 7/027
273/118 A
- D660,914 S * 5/2012 Spikes D21/323
- D886,198 S * 6/2020 Yang D21/323

* cited by examiner

Primary Examiner — Sandra Snapp

Assistant Examiner — Mehri Bajoul

(74) *Attorney, Agent, or Firm* — Leong C. Lei

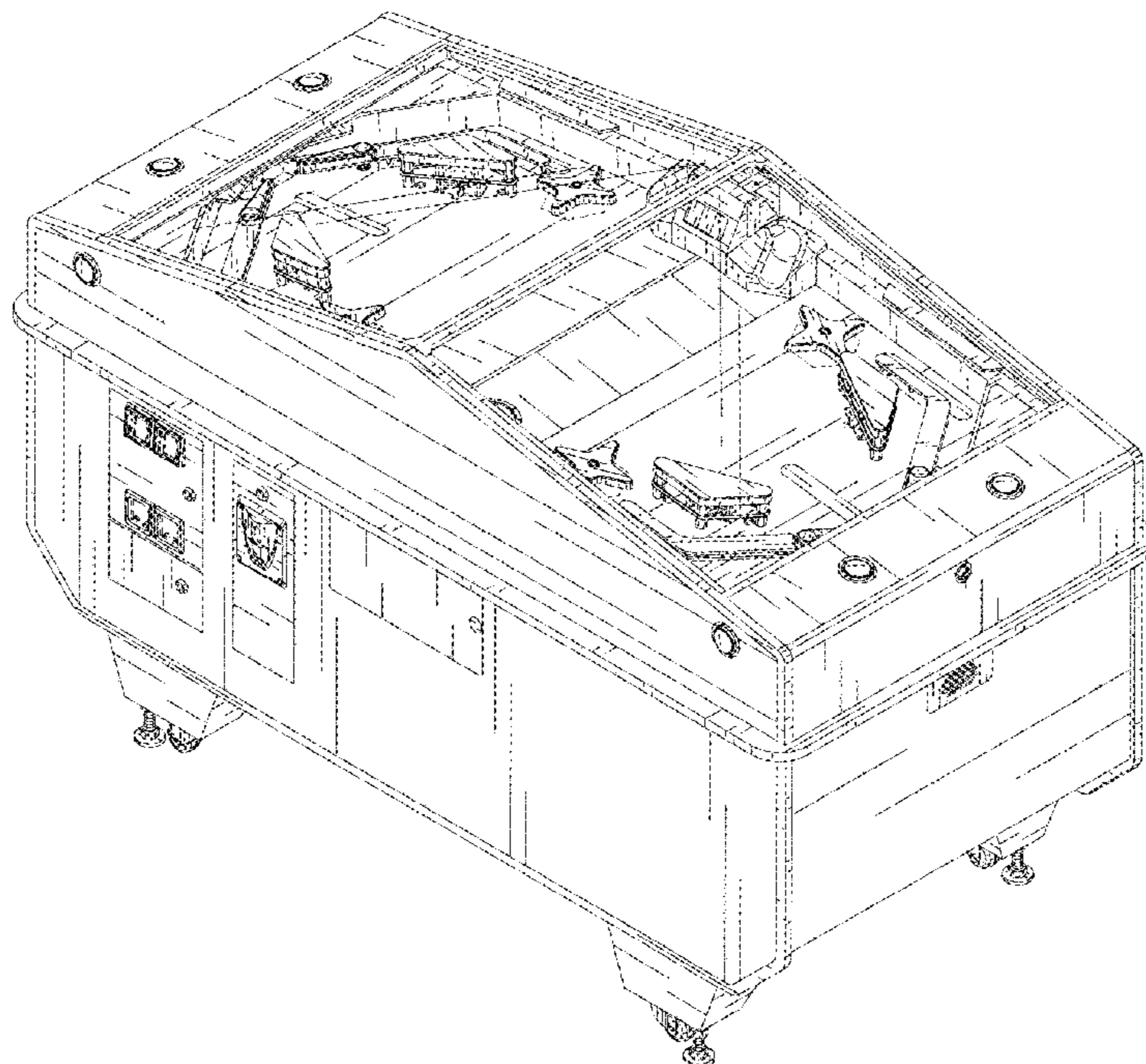
(57) **CLAIM**

The ornamental design for a two-player pinball machine, as shown and described.

DESCRIPTION

FIG. 1 is a perspective view of a two-player pinball machine showing my new design;
 FIG. 2 is a front elevational view thereof;
 FIG. 3 is a rear elevational view thereof;
 FIG. 4 is a left side elevational view thereof;
 FIG. 5 is a right side elevational view thereof;
 FIG. 6 is a top plan view thereof;
 FIG. 7 is a bottom plan view thereof; and,
 FIG. 8 is a rear perspective view thereof.
 The broken lines shown represent portions of the two-player pinball machine that form no part of the claimed design.

1 Claim, 8 Drawing Sheets



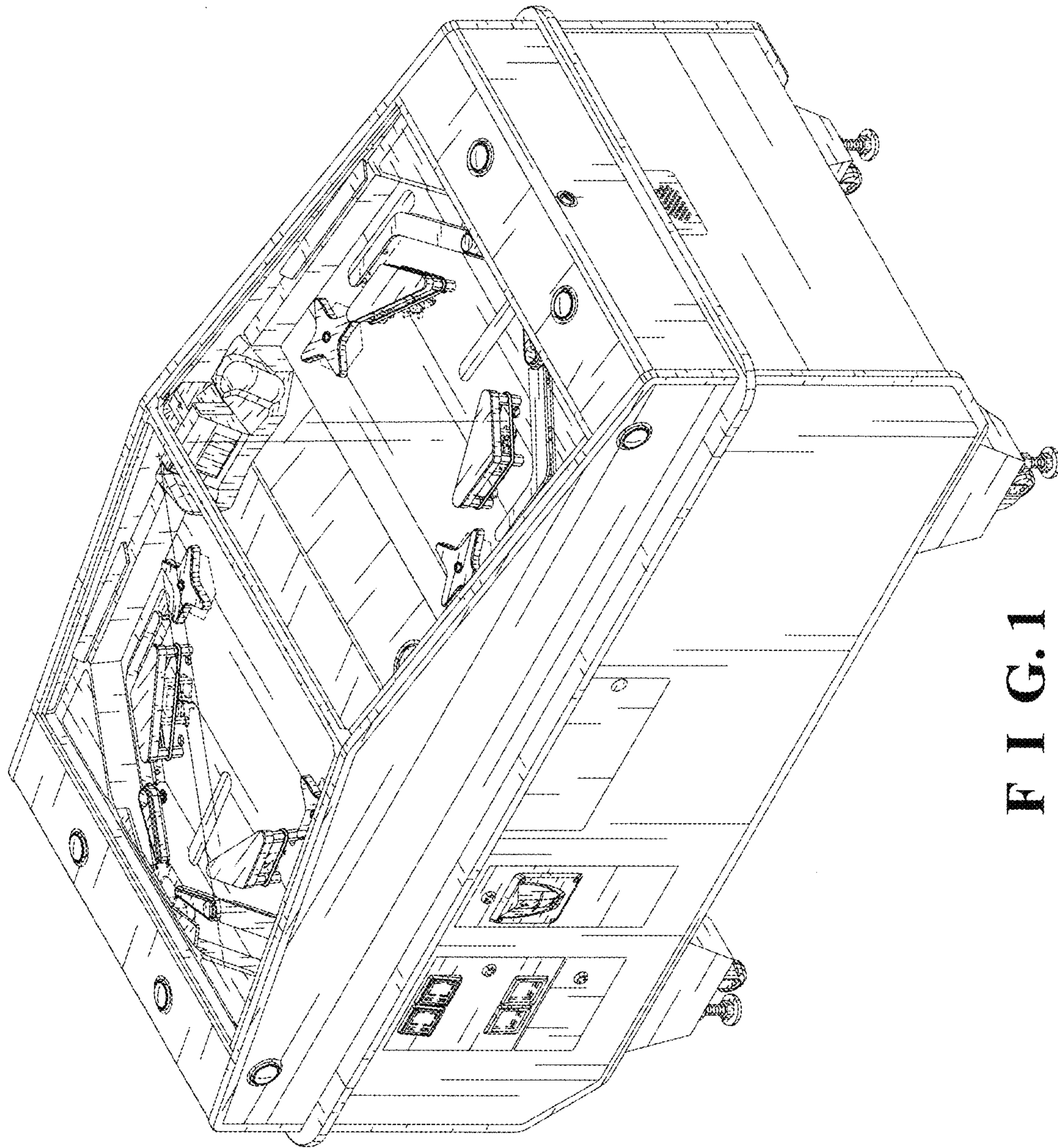


FIG. 1

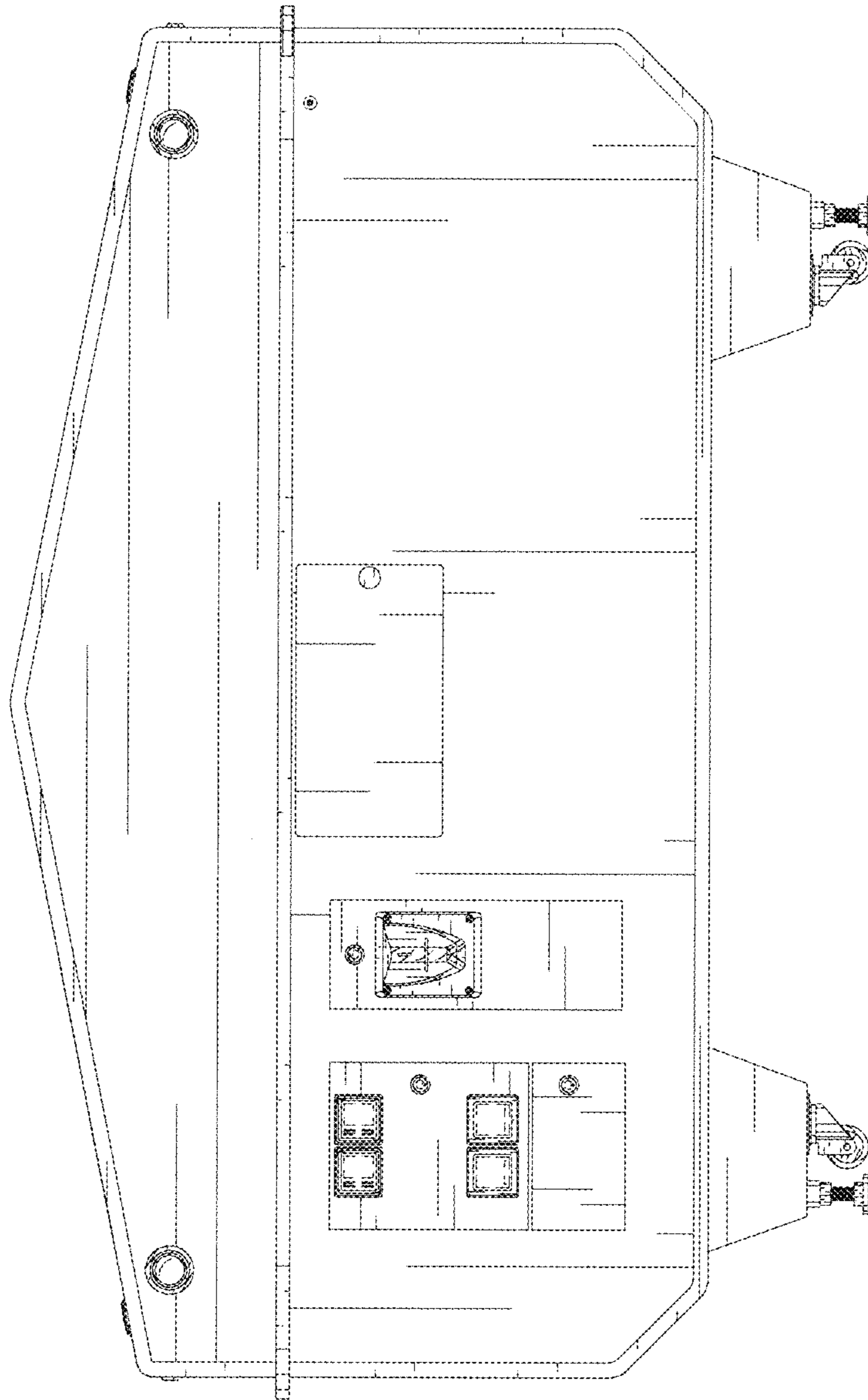


FIG. 2

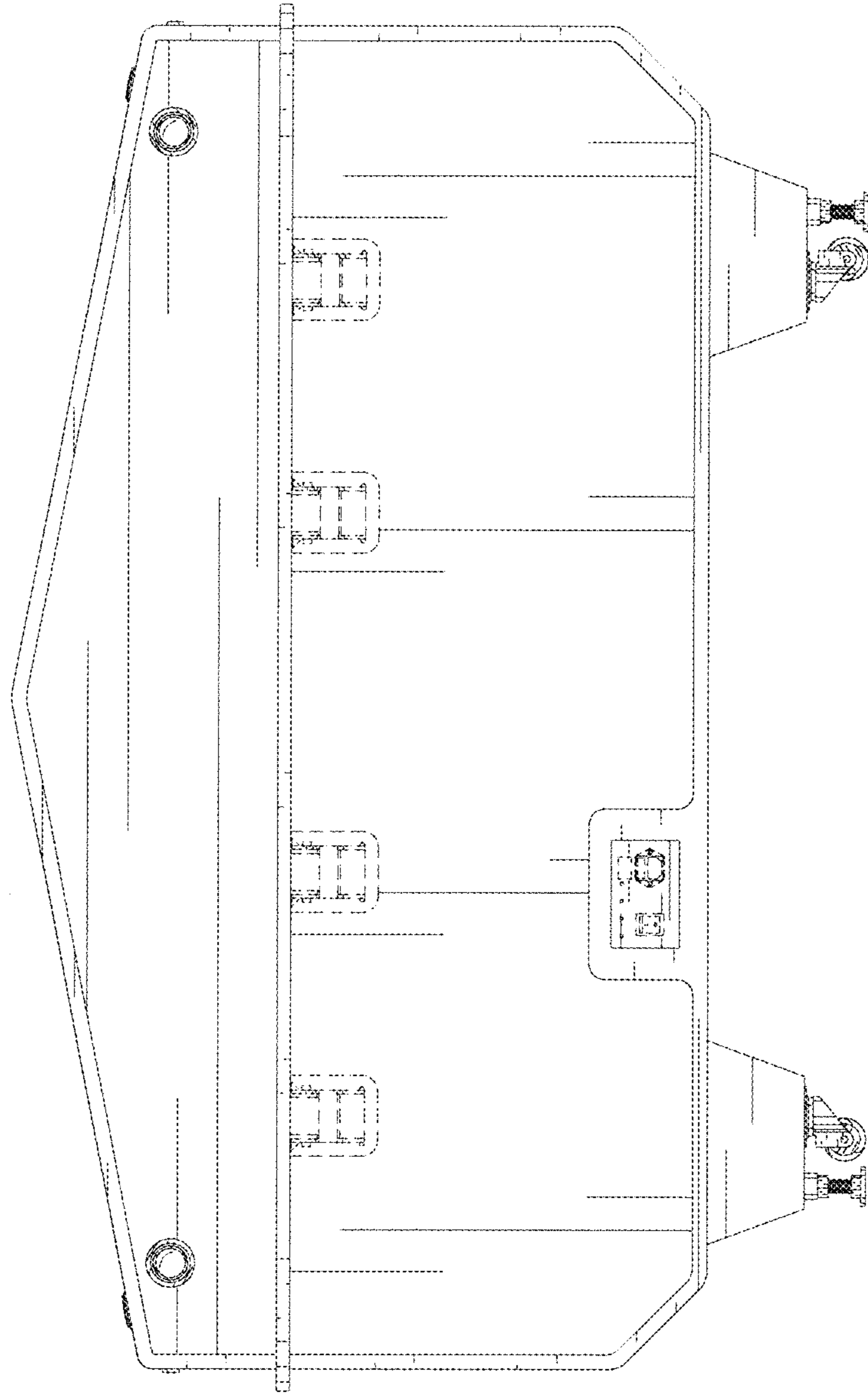


FIG. 3

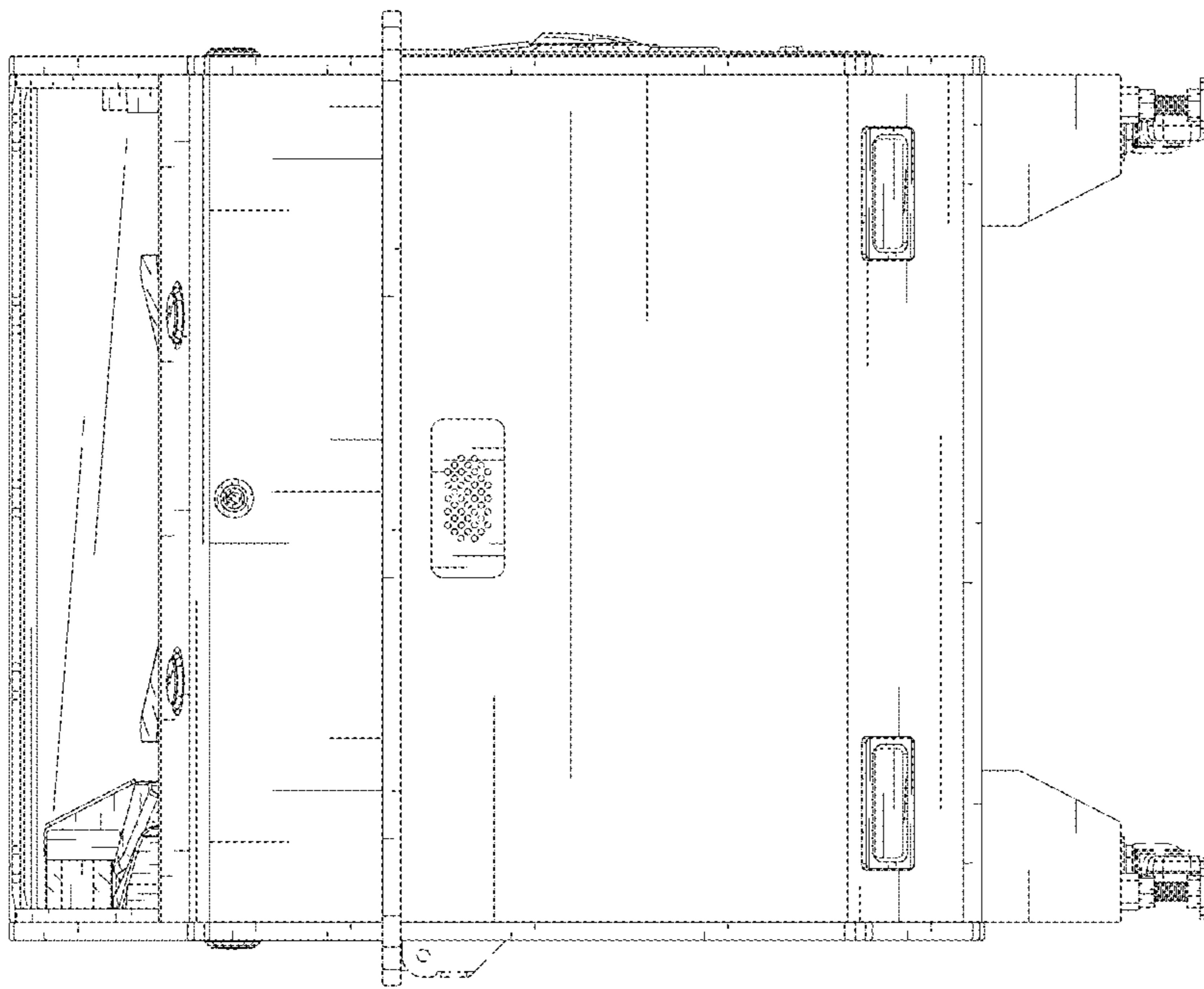


FIG. 4

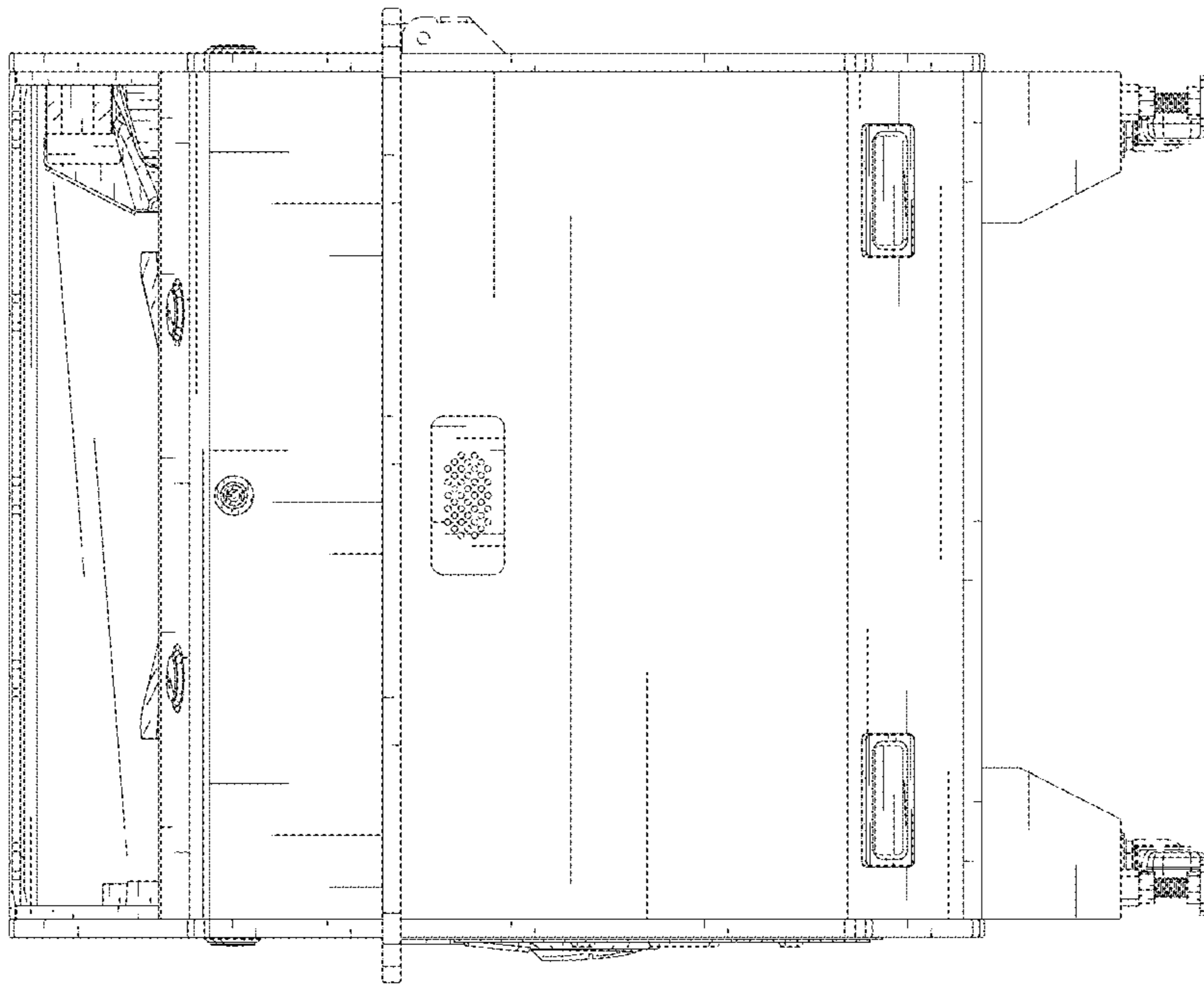


FIG. 5

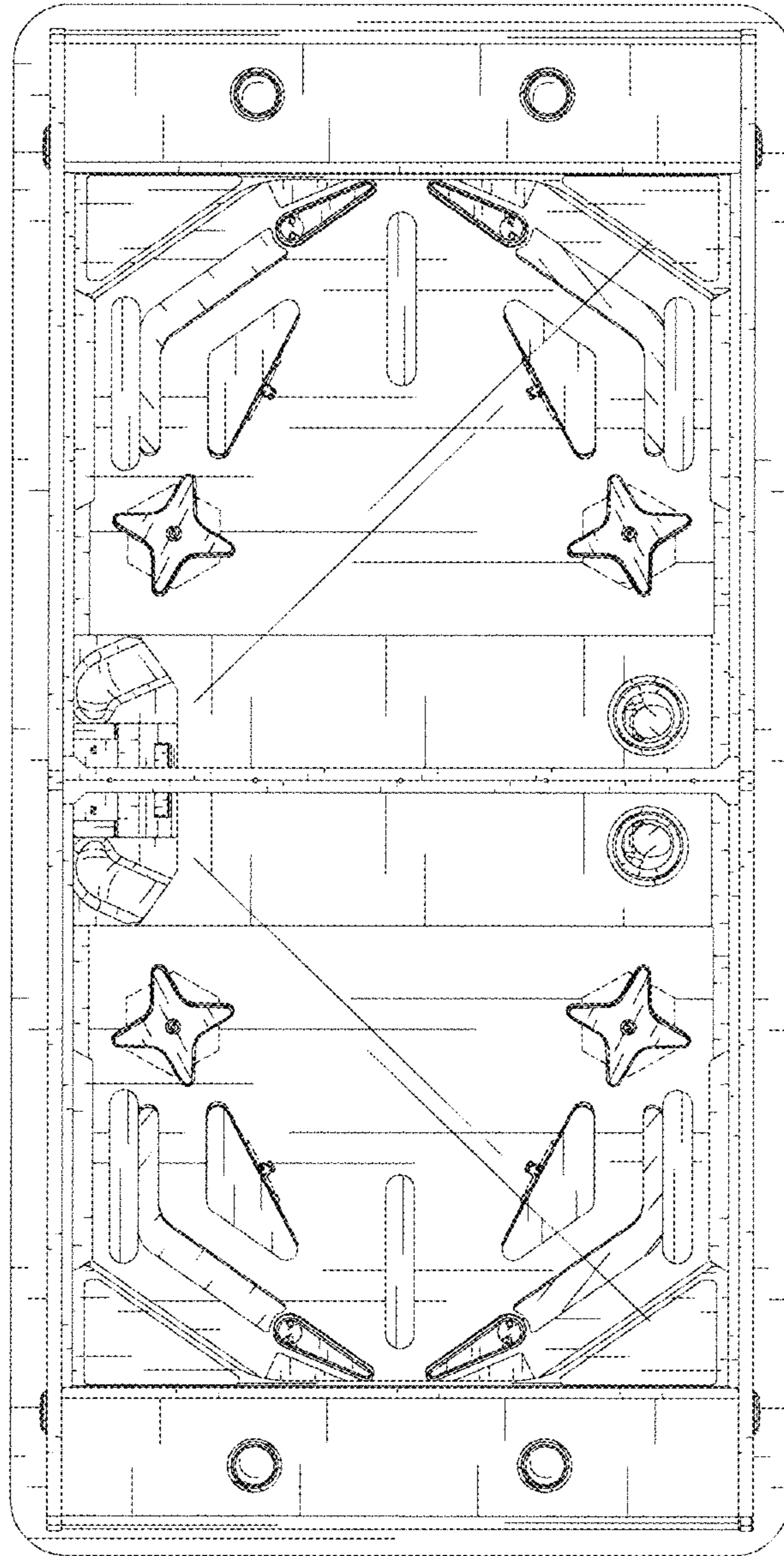


FIG. 6

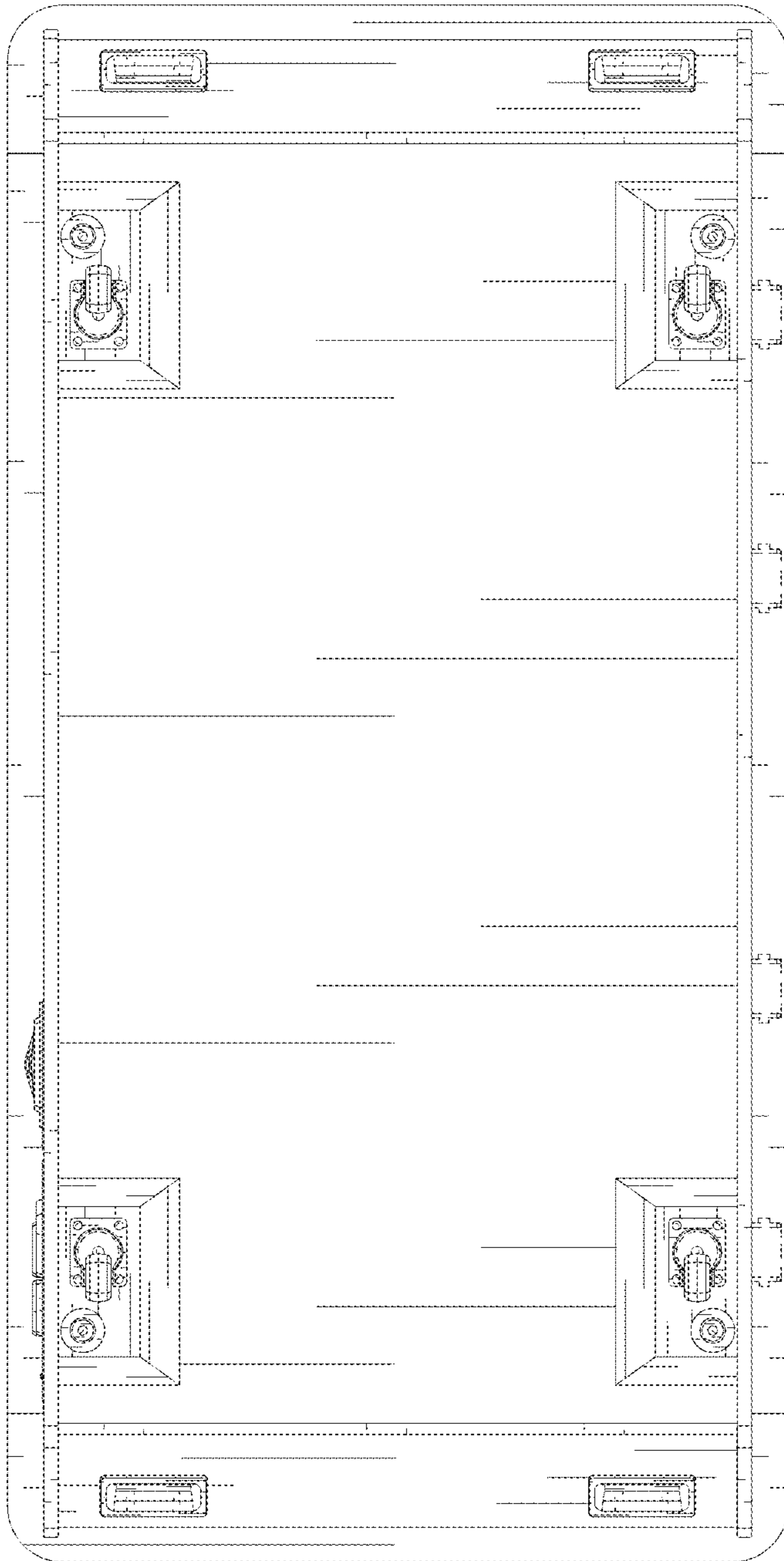


FIG. 7

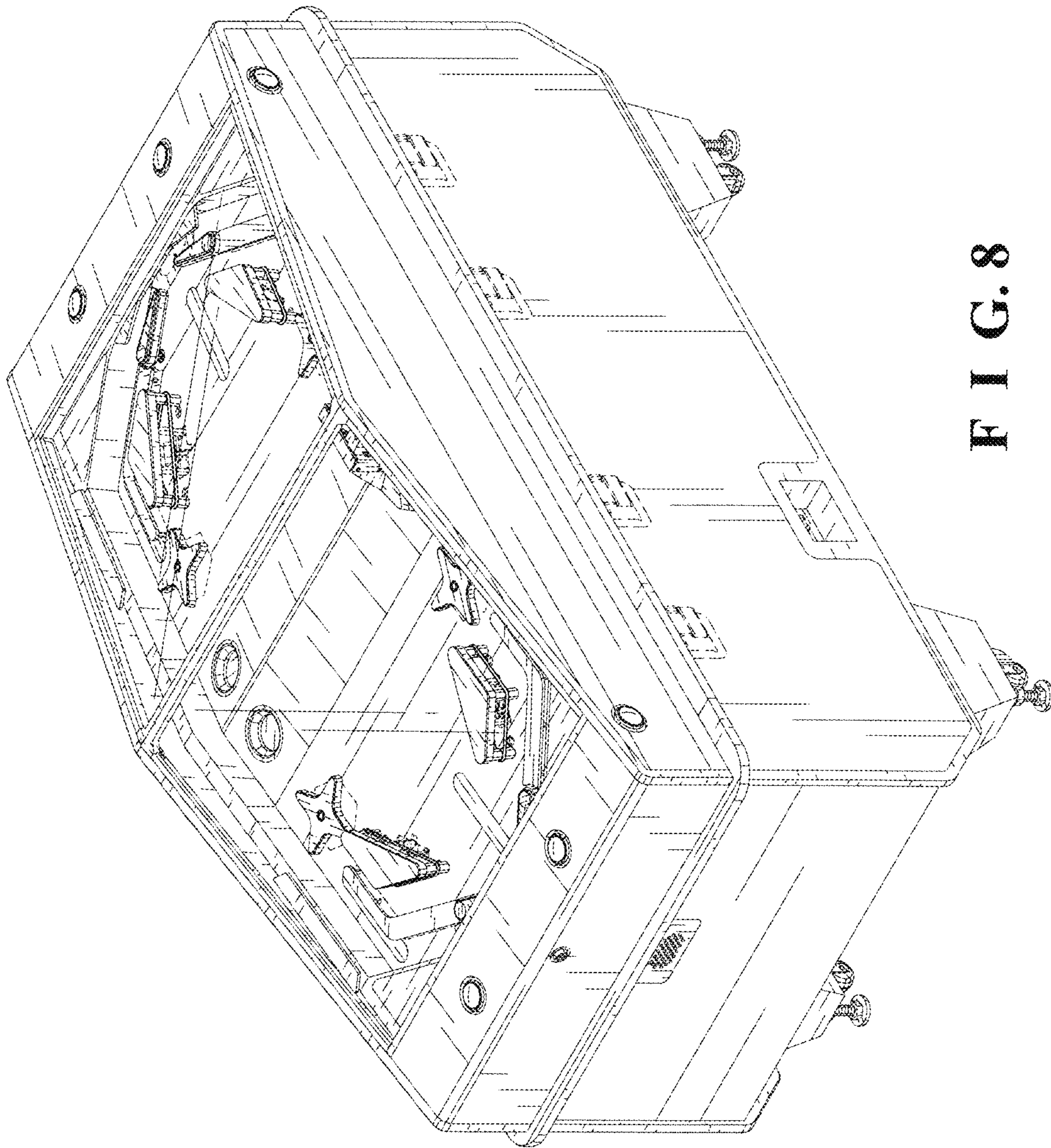


FIG. 8