



US00D923711S

(12) **United States Design Patent** (10) **Patent No.:** **US D923,711 S**  
**Bleil** (45) **Date of Patent:** **\*\* Jun. 29, 2021**

(54) **ROOFING MATERIAL DISPLAY**  
(71) Applicant: **Brilliant Graphics Group, LLC,**  
Pittsfield, MA (US)  
(72) Inventor: **Shane Bleil,** Pittsfield, MA (US)  
(73) Assignee: **Brilliant Graphics Group, LLC,**  
Pittsfield, MA (US)  
(\*\*) Term: **15 Years**  
(21) Appl. No.: **29/721,334**  
(22) Filed: **Jan. 20, 2020**  
(51) **LOC (13) Cl.** ..... **20-03**  
(52) **U.S. Cl.**  
USPC ..... **D20/40; D20/19**  
(58) **Field of Classification Search**  
USPC ..... D10/109.1, 109.2, 113.4; D11/181, 182,  
D11/183; D14/125, 126, 127, 128, 129;  
D18/26; D20/10, 12, 16, 17, 18, 19, 21,  
D20/31, 29, 30, 39, 40, 41, 42, 43, 44,  
D20/99; D25/138, 139, 140, 141, 143,  
D25/149, 150, 151, 163  
CPC ..... G09F 1/00; G09F 1/08; G09F 5/00; G09F  
5/02; G09F 7/00; G09F 19/00; G09F  
23/00; G09F 27/00; G09F 21/00; G09F  
21/06; G09F 21/08; Y10S 362/812; A47F  
3/00; A47F 8/00; A47F 11/00  
See application file for complete search history.

D126,830 S 4/1941 Bender  
3,384,982 A 5/1968 Herbert et al.  
4,079,554 A \* 3/1978 Terwilliger ..... B44F 11/06  
428/15  
D313,278 S \* 12/1990 Noone ..... D25/139  
D313,658 S \* 1/1991 Noone ..... D25/139  
D369,421 S \* 4/1996 Kiik ..... D25/139  
D379,672 S \* 6/1997 Lamb ..... D25/139  
D417,513 S 12/1999 Blanpied  
D422,719 S \* 4/2000 Belt ..... D25/139  
6,195,951 B1 \* 3/2001 Stahl ..... E04D 1/26  
52/314  
6,253,512 B1 7/2001 Thompson et al.  
D466,629 S 12/2002 Phillips  
D554,275 S 10/2007 Sieling et al.  
D576,316 S 9/2008 Elliott  
D624,969 S 10/2010 Ryan  
D629,924 S \* 12/2010 Cornett ..... D25/140  
D633,221 S \* 2/2011 Koch ..... D25/139  
D633,222 S \* 2/2011 Koch ..... D25/139

(Continued)

*Primary Examiner* — Mary Ann Calabrese  
*Assistant Examiner* — Catherine Ho  
(74) *Attorney, Agent, or Firm* — 24IP Law Group USA,  
PLLC; Timothy Dewitt

(57) **CLAIM**

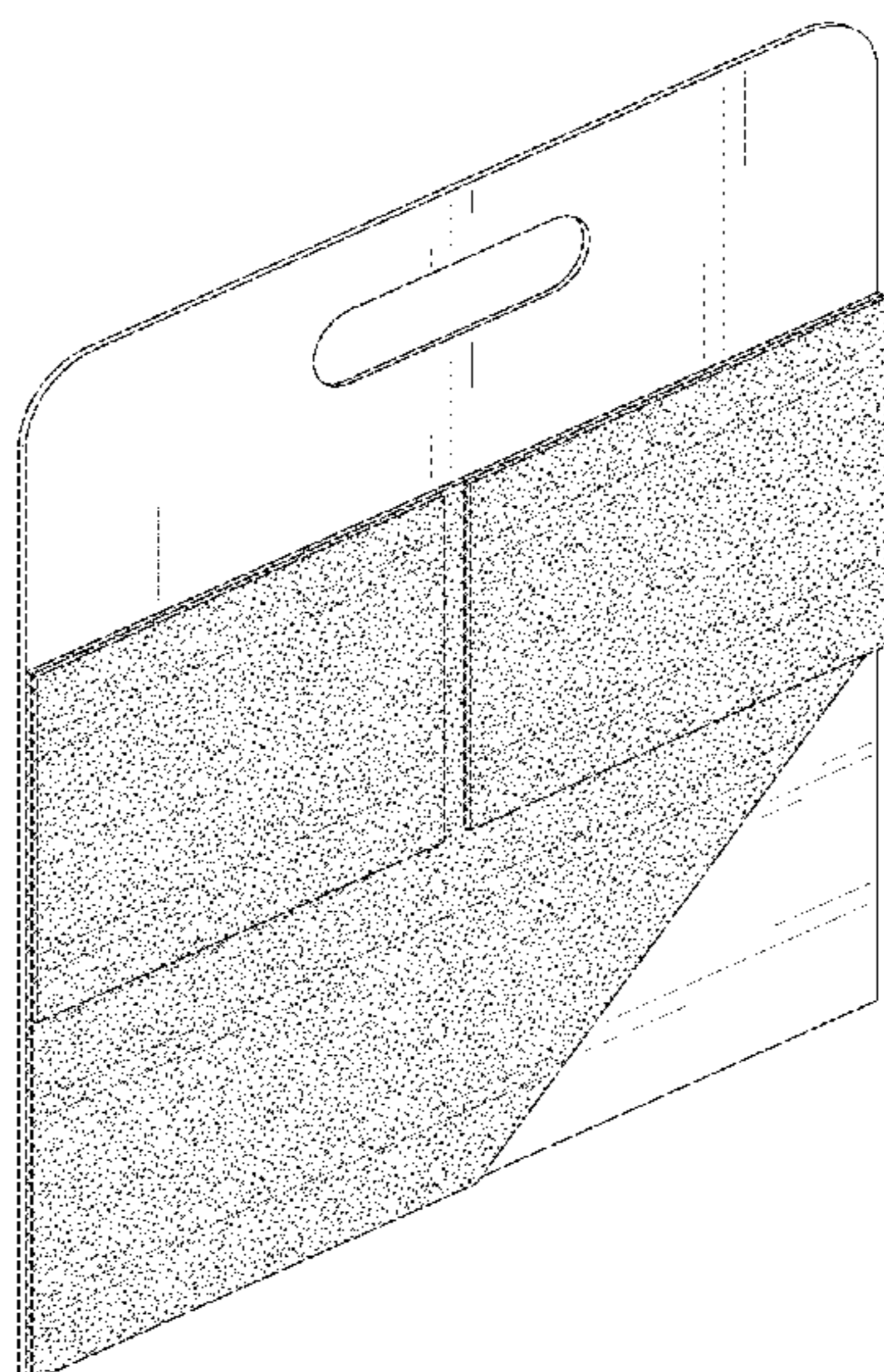
The ornamental design for a roofing material display, as shown and described.

**DESCRIPTION**

FIG. 1 is a top perspective view of a roofing material display, showing my new design;  
FIG. 2 is a front view thereof;  
FIG. 3 is a rear view thereof;  
FIG. 4 is a left side view thereof;  
FIG. 5 is a right side view thereof;  
FIG. 6 is a top view thereof; and,  
FIG. 7 is a bottom view thereof.

(56) **References Cited**  
U.S. PATENT DOCUMENTS  
1,583,563 A 5/1926 Abraham  
D77,786 S 2/1928 Melby  
1,666,429 A 4/1928 Stolp, Jr.  
D104,201 S 4/1937 Spencer  
D104,202 S 4/1937 Spencer  
2,139,820 A \* 12/1938 Graham ..... A61B 3/02  
52/557  
21,916,847 4/1940 Austin

**1 Claim, 5 Drawing Sheets**



(56)

**References Cited**

U.S. PATENT DOCUMENTS

9,140,012	B1 *	9/2015	Leitch	.....	E04D 1/2963
D763,470	S *	8/2016	Leitch	.....	D25/143
D766,468	S *	9/2016	Leitch	.....	D25/143
10,180,003	B2 *	1/2019	Freiborg	.....	B32B 5/16
10,273,392	B2 *	4/2019	Loftus	.....	C09J 11/06
D857,932	S *	8/2019	Leitch	.....	D25/143
D868,295	S *	11/2019	Nash	.....	D25/139
D870,321	S *	12/2019	Freiborg	.....	D25/139
10,858,833	B2 *	12/2020	Jenkins	.....	B32B 5/028
D909,623	S *	2/2021	Nadalini	.....	D25/140
D909,624	S *	2/2021	Nadalini	.....	D25/140

\* cited by examiner

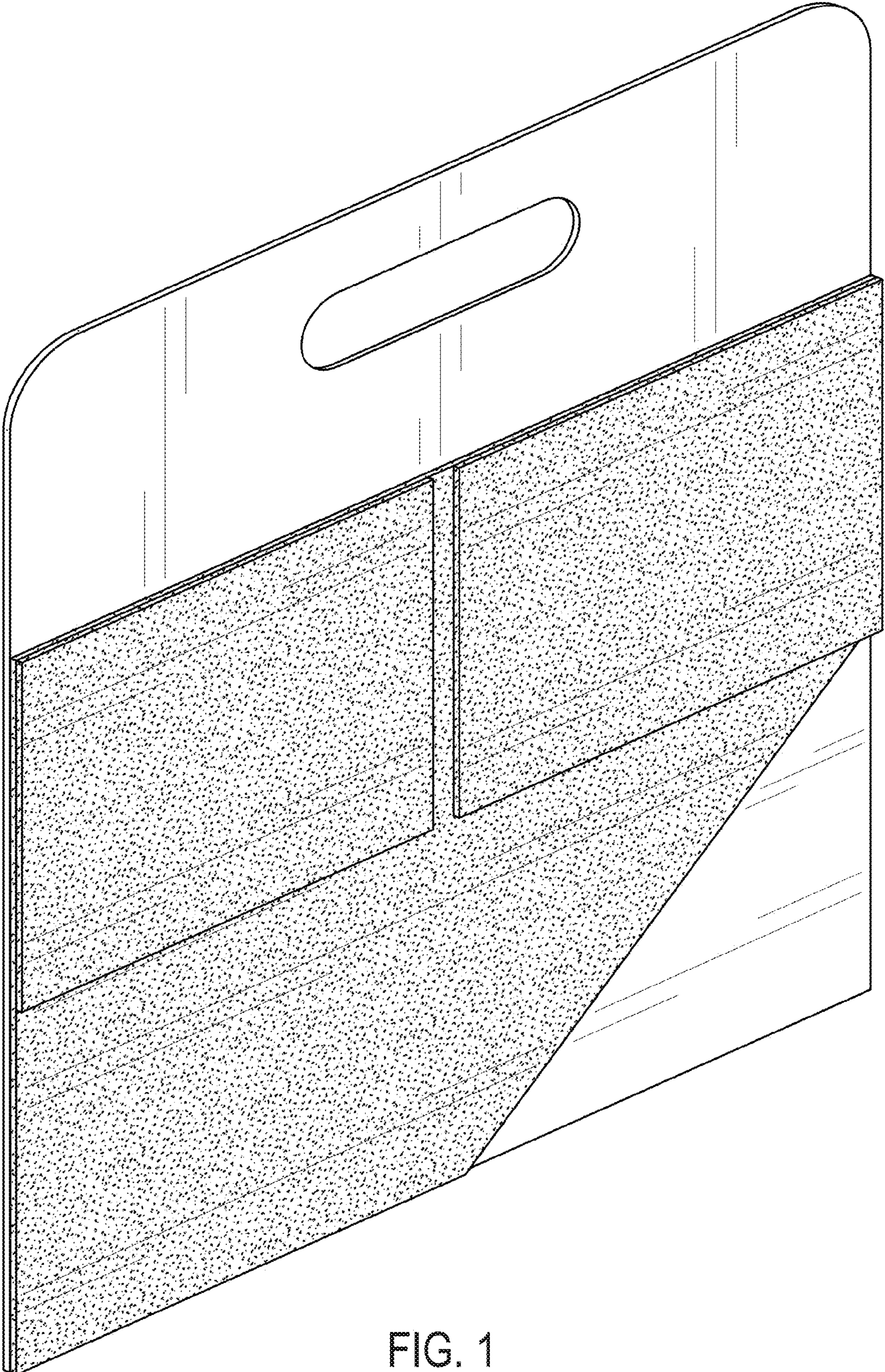


FIG. 1

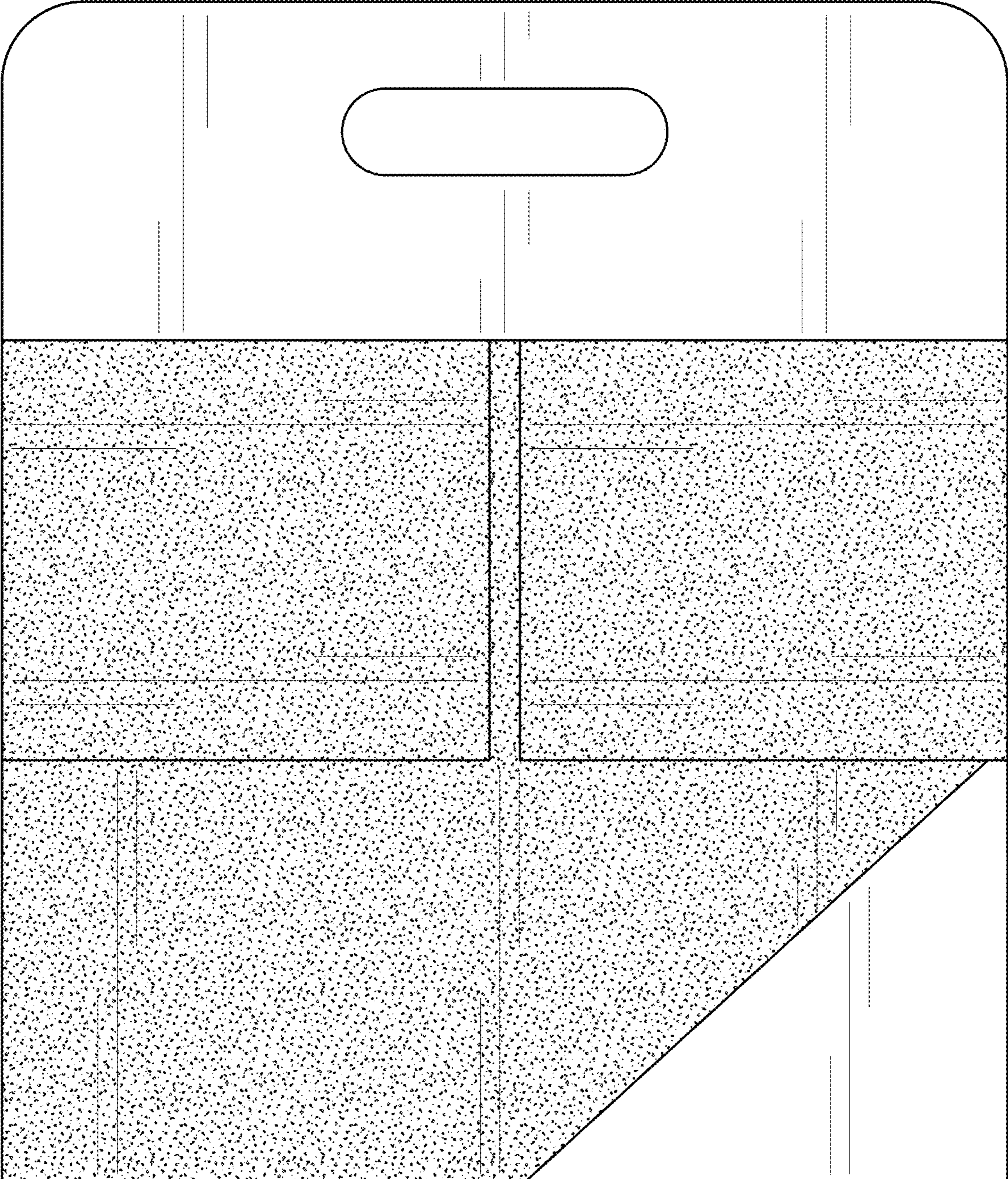


FIG. 2

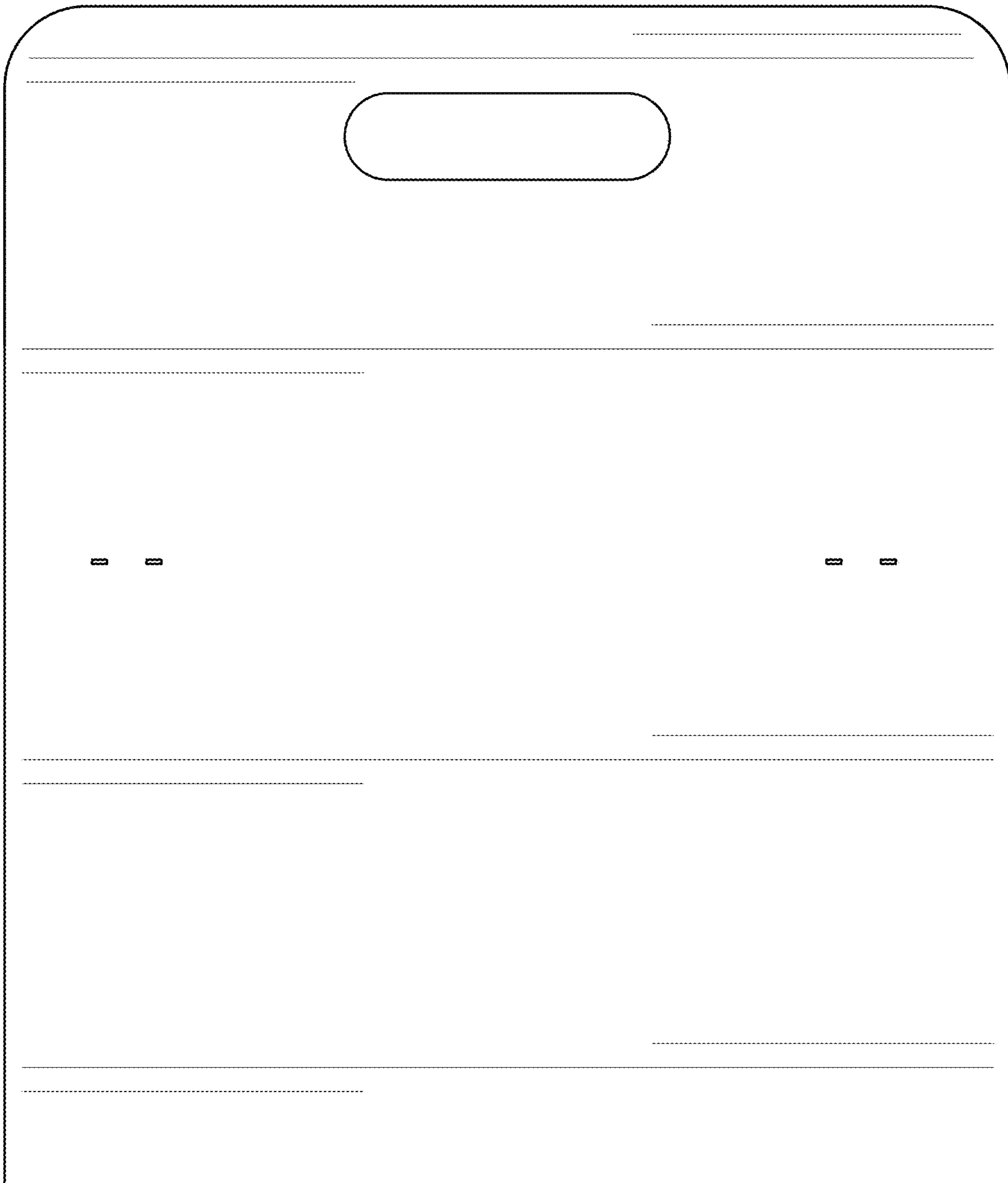


FIG. 3



FIG. 4

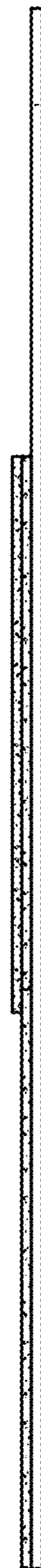


FIG. 5

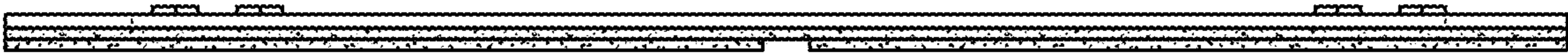


FIG. 6



FIG. 7