



US00D923704S

(12) **United States Design Patent** (10) **Patent No.:** **US D923,704 S**
Asano (45) **Date of Patent:** **** *Jun. 29, 2021**

(54) **AUTO DOCUMENT FEEDER**

15/0891; G03G 15/0875; G03G
2215/0827; G03G 2215/0855; G03G
21/1842

(71) Applicant: **BROTHER INDUSTRIES, LTD.**,
Nagoya (JP)

See application file for complete search history.

(72) Inventor: **Masahide Asano**, Nagoya (JP)

(56) **References Cited**

(73) Assignee: **BROTHER INDUSTRIES, LTD.**,
Nagoya (JP)

U.S. PATENT DOCUMENTS

(*) Notice: This patent is subject to a terminal disclaimer.

D340,704 S *	10/1993	Asakura	D14/425
D502,380 S *	3/2005	Misner	D8/302
D547,369 S *	7/2007	Senda	D14/421
D641,397 S *	7/2011	Kim	D18/55
D645,078 S *	9/2011	Kim	D18/50
D645,897 S *	9/2011	Chuang	D18/50
D647,130 S *	10/2011	Kim	D18/50
D665,014 S *	8/2012	Matsuno	D18/50
D665,016 S *	8/2012	Matsuno	D18/50

(**) Term: **15 Years**

(Continued)

(21) Appl. No.: **29/690,445**

(22) Filed: **May 8, 2019**

Primary Examiner — George A Bugg
Assistant Examiner — Mary Claire Ramirez
(74) *Attorney, Agent, or Firm* — Oliff PLC

(30) **Foreign Application Priority Data**

Nov. 8, 2018 (JP) 2018-024531

(51) **LOC (13) Cl.** **18-02**

(52) **U.S. Cl.**
USPC **D18/50**; D18/49

(57) **CLAIM**

The ornamental design for an auto document feeder, as shown and described.

(58) **Field of Classification Search**

USPC D15/122, 135-138, 141, 66, 73, 76-78,
D15/146, 150, 143, 89; D18/53, 59, 50,
D18/14, 19, 54-57, 36-45, 34.4, 34.5,
D18/34.6, 18, 51, 34.1; D14/301-303,
D14/307, 345, 420-425, 462; D6/691.4,
D6/675, 708, 671, 520-523, 580;
D34/35, 29, 1; D7/700, 554.3, 637;
D3/304, 313; D9/424; D8/313, 314,
D8/301, 380, 382, 358, 354; D10/119.1;
D32/19, 25, 32, 21; D4/128, 102, 122;
D25/157, 160, 162, 119; D19/1, 5, 113,
D19/190, 191, 104, 107, 192, 202, 99,
D19/100

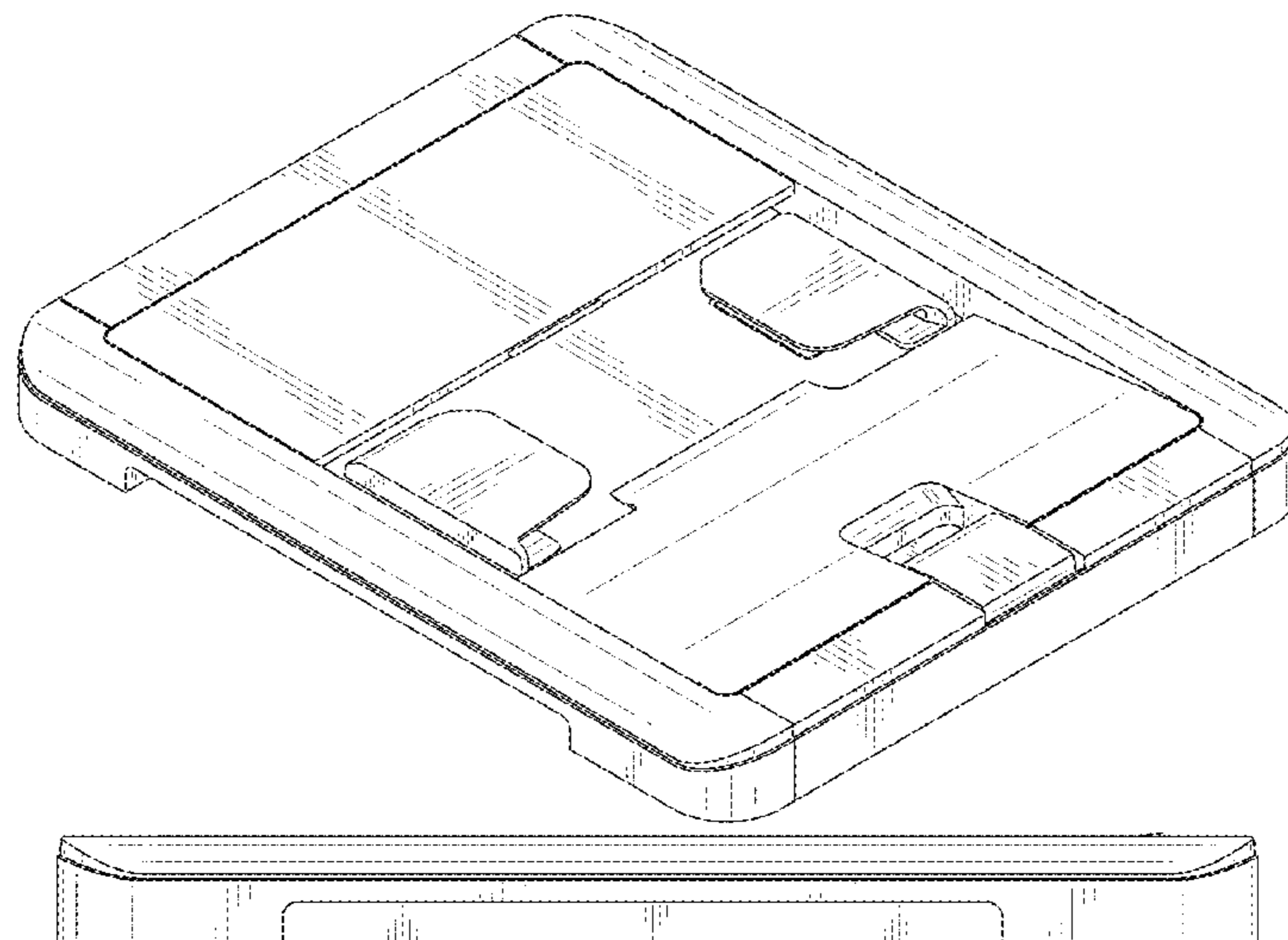
CPC B41J 2/14; B41J 2/01; B41J 2/22; B41J
1/54; B41J 3/4073; B41J 3/4078; B41F
17/22; B41F 17/003; B41F 17/38; B28B
1/001; B65H 5/02; G03G 15/08; G03G

DESCRIPTION

FIG. 1 is a perspective view of an auto document feeder;
FIG. 2 is a front elevational view thereof;
FIG. 3 is a rear elevational view thereof;
FIG. 4 is a left-side elevational view thereof;
FIG. 5 is a right-side elevational view thereof;
FIG. 6 is a top plan view thereof;
FIG. 7 is a bottom plan view thereof; and,
FIG. 8 is a perspective view of the auto document feeder
shown in use.

The broken lines shown in the drawings depict portions of the auto document feeder that form no part of the claimed design. The broken lines shown in FIG. 8 depict environmental subject matter that forms no part of the claimed design.

1 Claim, 8 Drawing Sheets



(56)

References Cited

U.S. PATENT DOCUMENTS

D667,050	S	*	9/2012	Takeuchi	D18/50
D669,473	S	*	10/2012	Gronau	D14/420
D681,107	S	*	4/2013	Larson	D18/50
D689,543	S	*	9/2013	Seki	D18/50
D723,034	S	*	2/2015	Chin	D14/422
D727,328	S	*	4/2015	Nanno	D14/421
D734,338	S	*	7/2015	Nakagawa	D14/421
D736,306	S	*	8/2015	Iida	D17/24
D737,895	S	*	9/2015	Nanno	D18/50
D790,626	S	*	6/2017	Inada	D18/56
D800,122	S	*	10/2017	Tashima	D14/421
D800,123	S	*	10/2017	Tashima	D14/421
D800,124	S	*	10/2017	Asano et al.		
D806,790	S	*	1/2018	Sato	D18/50
D808,461	S	*	1/2018	Tashima	D18/55
D827,022	S	*	8/2018	Yamashita	D18/50
D893,600	S	*	8/2020	Dwyer	D18/50

* cited by examiner

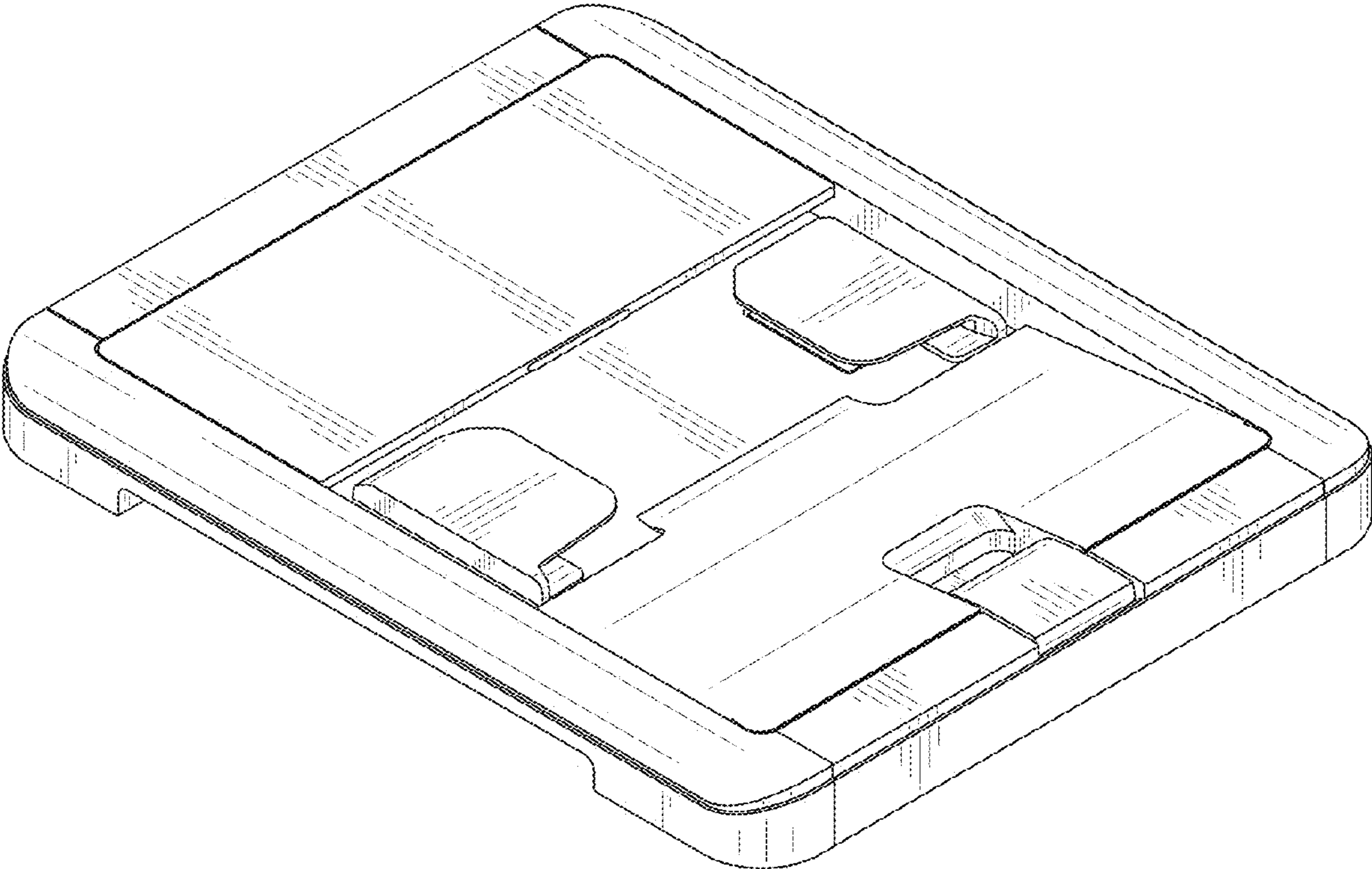


FIG. 1

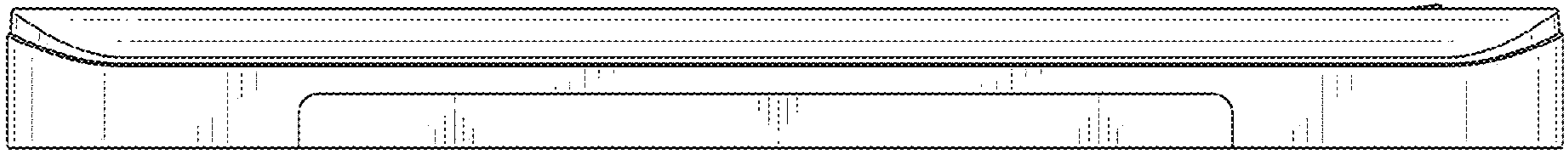


FIG. 2

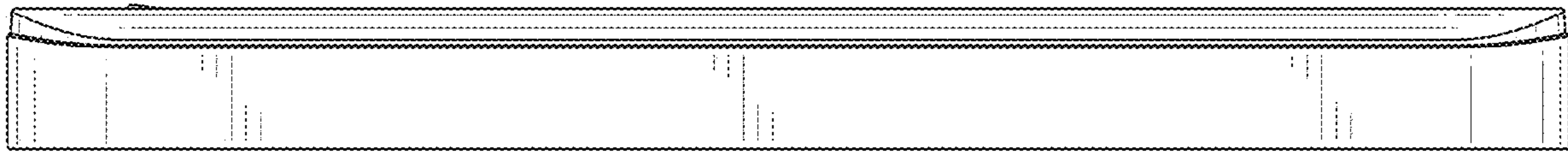


FIG. 3

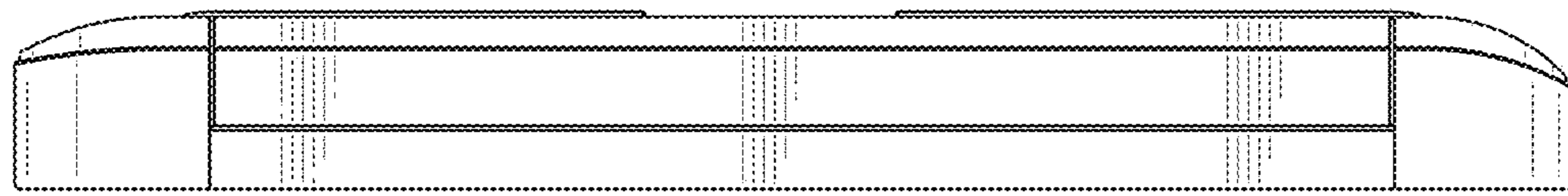


FIG. 4

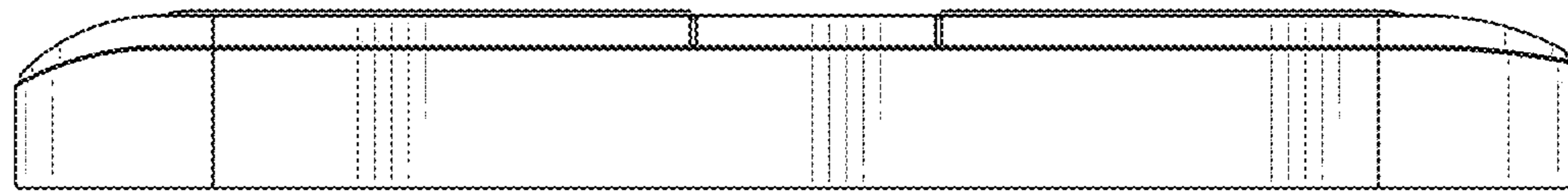


FIG. 5

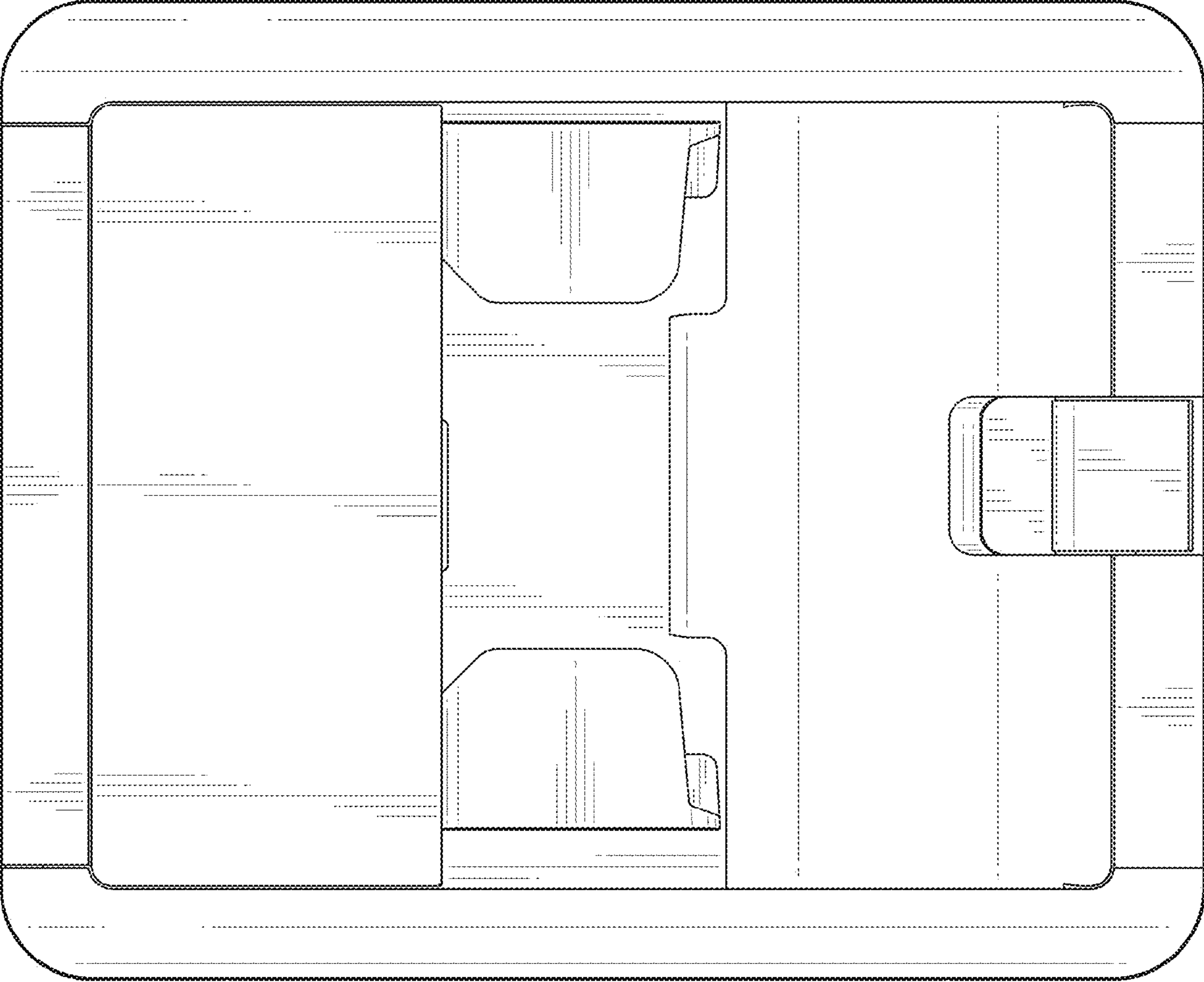


FIG. 6

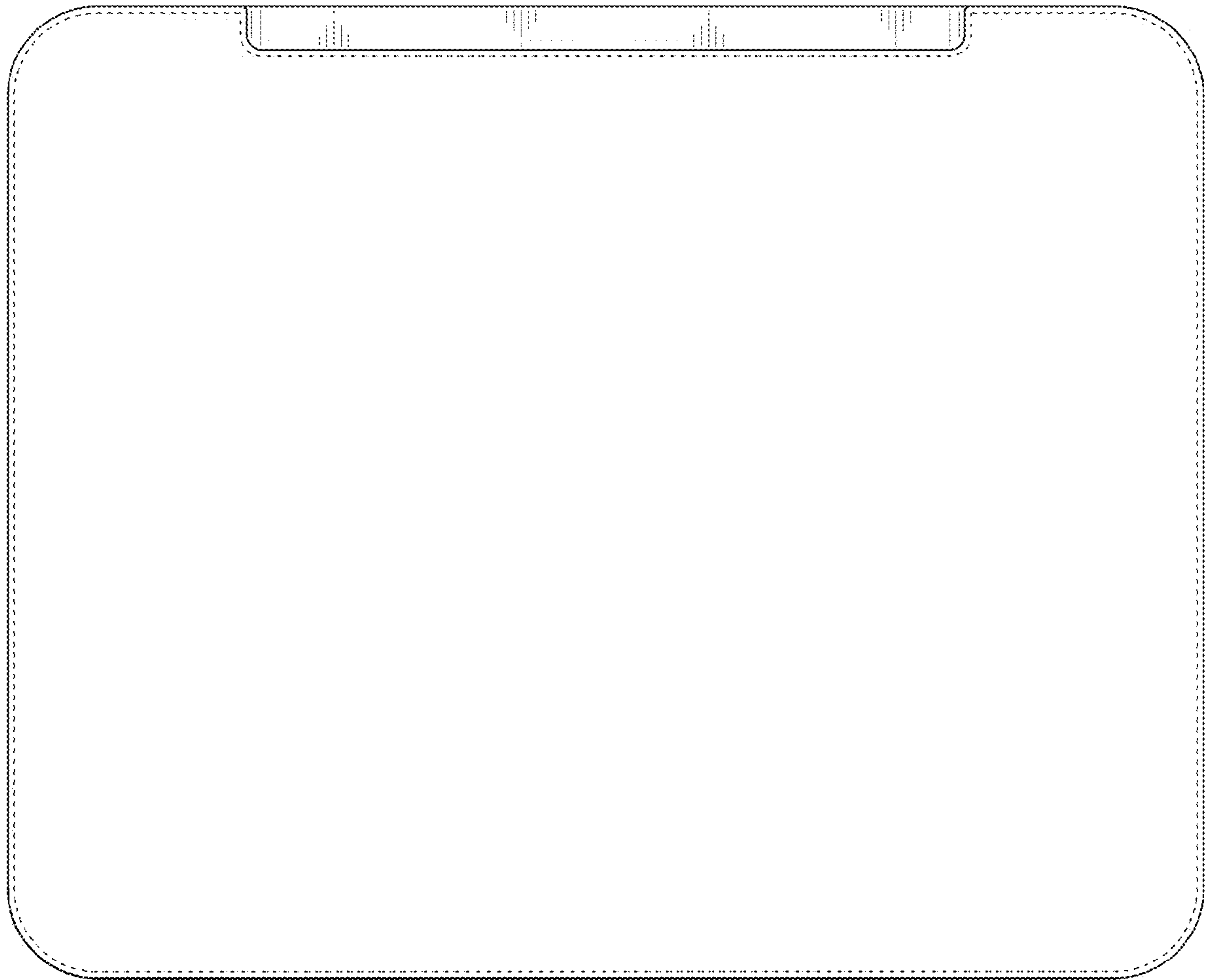


FIG. 7

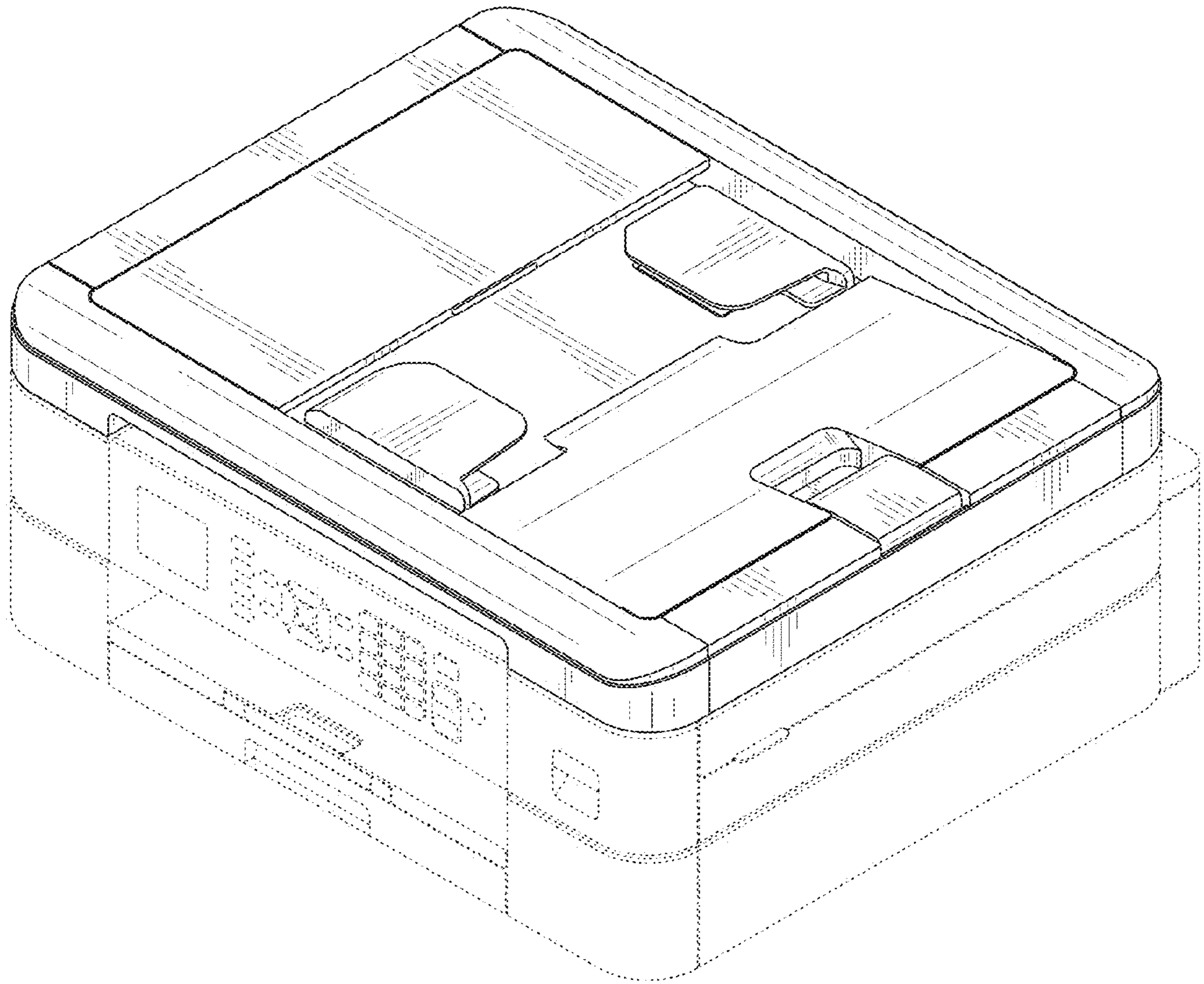


FIG. 8