



US00D923702S

(12) **United States Design Patent**
Lim et al.

(10) **Patent No.: US D923,702 S**

(45) **Date of Patent: ** Jun. 29, 2021**

(54) **PRINTER**

(71) Applicant: **Hewlett-Packard Development Company, L.P.**, Spring, TX (US)

(72) Inventors: **Wan Xuan Lim**, Singapore (SG);
Andrew P Chick, Vancouver, WA (US);
Kiran Shanthamallappa
Kattesomanahalli, Singapore (SG)

(73) Assignee: **Hewlett-Packard Development Company, L.P.**, Spring, TX (US)

(**) Term: **15 Years**

(21) Appl. No.: **29/687,704**

(22) Filed: **Apr. 15, 2019**

(51) **LOC (13) Cl.** **14-02**

(52) **U.S. Cl.**
USPC **D18/50**

(58) **Field of Classification Search**
USPC D18/50, 53, 54, 55, 59, 36, 37, 38, 39,
D18/40, 41, 45, 56; D14/301, 307, 121
CPC H04N 1/00278; H04N 1/00204; H04N
1/00249; G06K 15/12; G06K 15/14; B41J
3/00; B41J 3/28; B41J 3/445; B41J 3/46
See application file for complete search history.

(56) **References Cited**

U.S. PATENT DOCUMENTS

D555,194 S	*	11/2007	Smith	D18/55
D558,824 S	*	1/2008	Alfonso	D18/55
D641,778 S	*	7/2011	Lee	D14/421
D680,162 S	*	4/2013	Goh	D14/421
D680,163 S	*	4/2013	Lim	D18/36
D686,659 S	*	7/2013	Tanaka	D18/55
D718,313 S	*	11/2014	Goh	D14/421
D765,080 S	*	8/2016	Su	D14/421
D806,789 S	*	1/2018	Hirota	D18/50

D818,533 S	*	5/2018	Su	D18/55
D865,052 S	*	10/2019	Oda	D18/50
D868,151 S	*	11/2019	Inada	D18/55
D868,884 S	*	12/2019	Inada	D18/55

FOREIGN PATENT DOCUMENTS

JP	2017202679	A	*	11/2017	B41J 11/06
JP	2017202681	A	*	11/2017	B41J 11/02
WO	D201429-005		*	7/2019		

OTHER PUBLICATIONS

Amazon. Link: https://www.amazon.com/dp/B07XGNLFJC/ref=cm_sw_r_tw_dp_U_x_YiyNEbEXCZXSZ. Dec. 22, 2019. HP Smart-Tank Plus 651 Wireless All-in-One Ink-Tank Printer. (Year: 2019).*

* cited by examiner

Primary Examiner — Lauren D McVey

(74) *Attorney, Agent, or Firm* — Cantor Colburn LLP

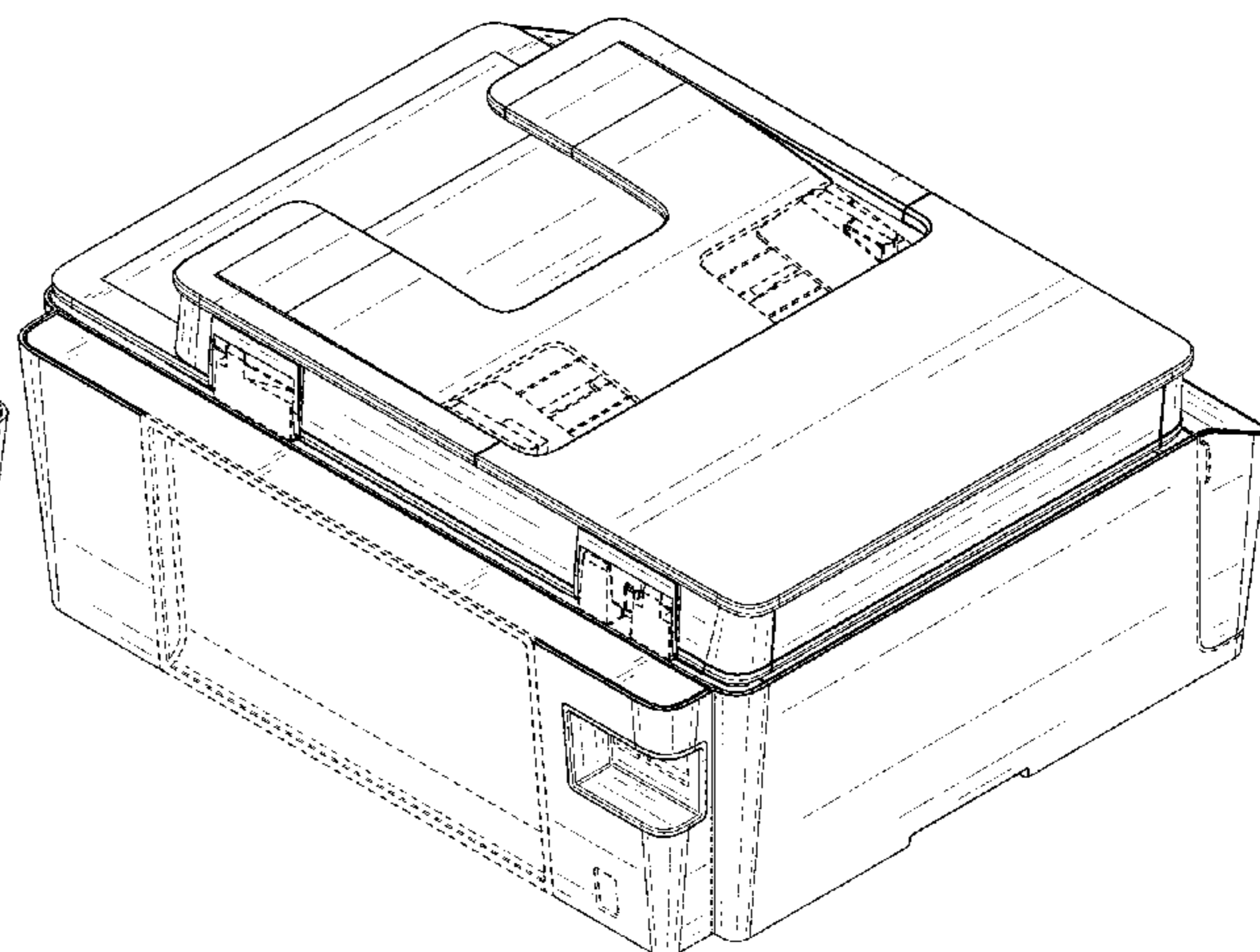
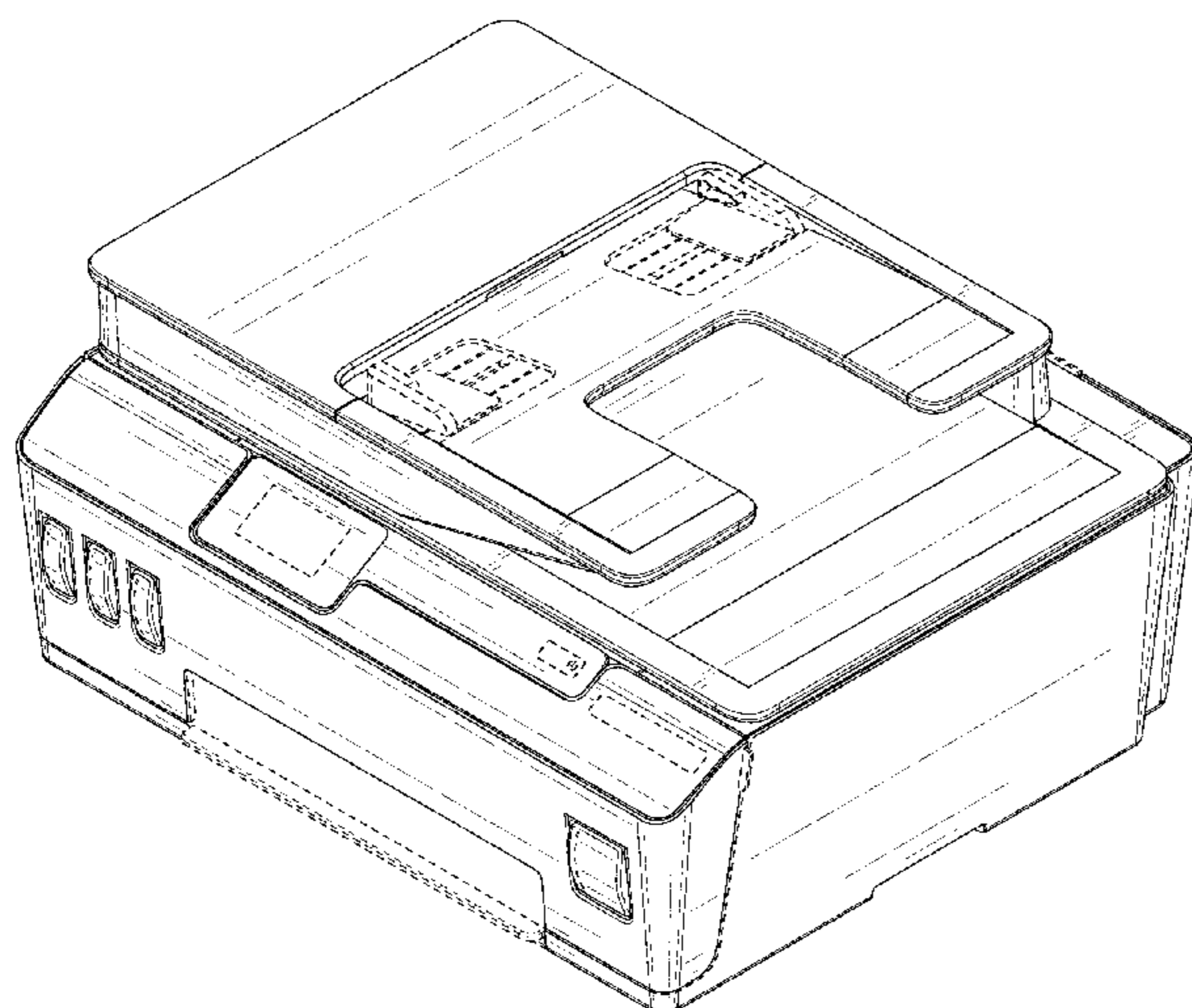
(57) **CLAIM**

The ornamental design for a printer, as shown and described.

DESCRIPTION

FIG. 1 is a top, front, left-side perspective view of a printer in accordance with our new design;
FIG. 2 is a front elevational view thereof;
FIG. 3 is a rear elevational view thereof;
FIG. 4 is a right-side elevational view thereof;
FIG. 5 is a left-side elevational view thereof;
FIG. 6 is a top plan view thereof;
FIG. 7 is a bottom plan view thereof; and,
FIG. 8 is a top, rear, right-side perspective view thereof.
The broken lines immediately adjacent the shaded areas represent the bounds of the claimed design while all other broken lines are directed to environment and are for illustrative purposes only; the broken lines form no part of the claimed design.

1 Claim, 8 Drawing Sheets



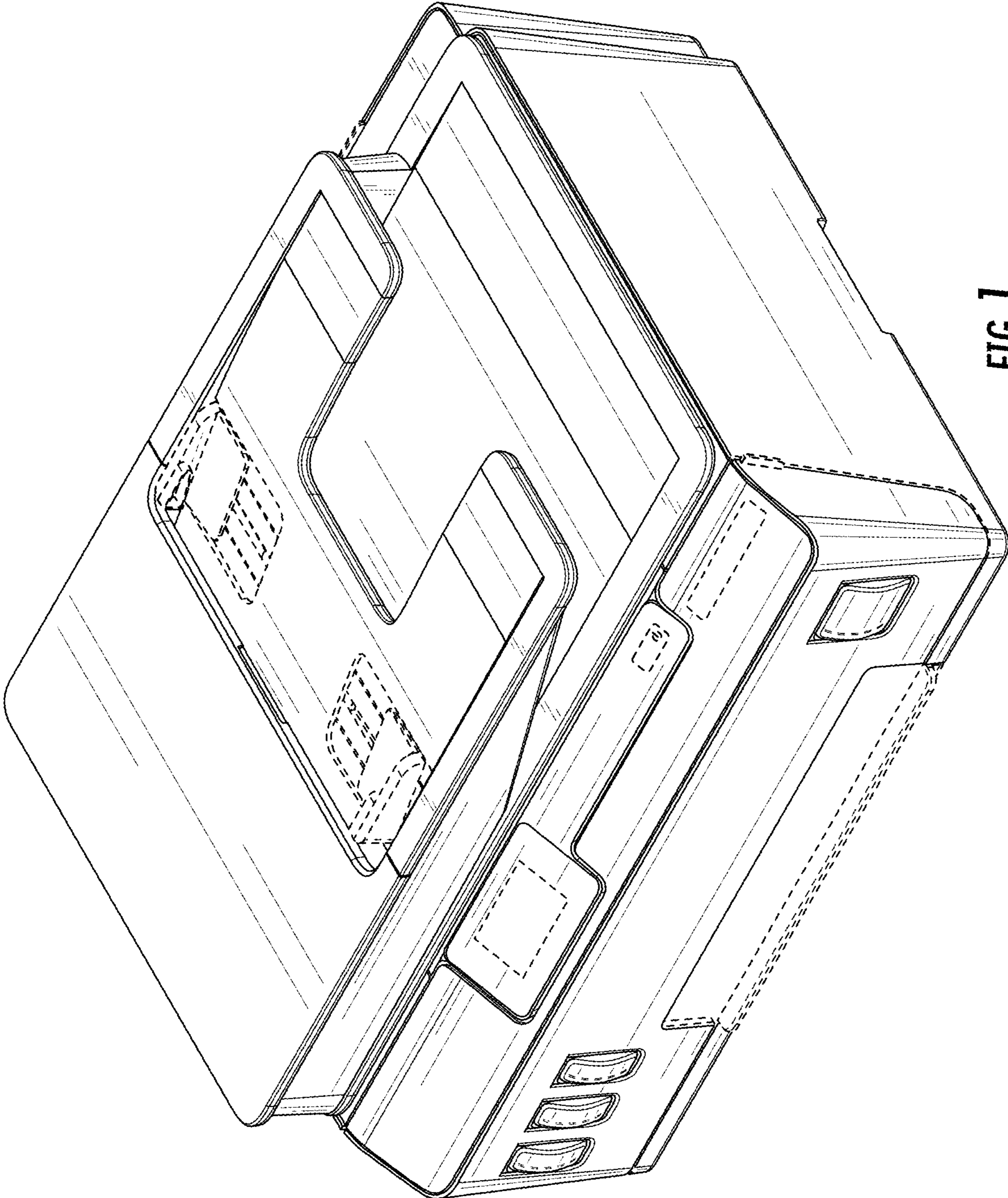


FIG. 1

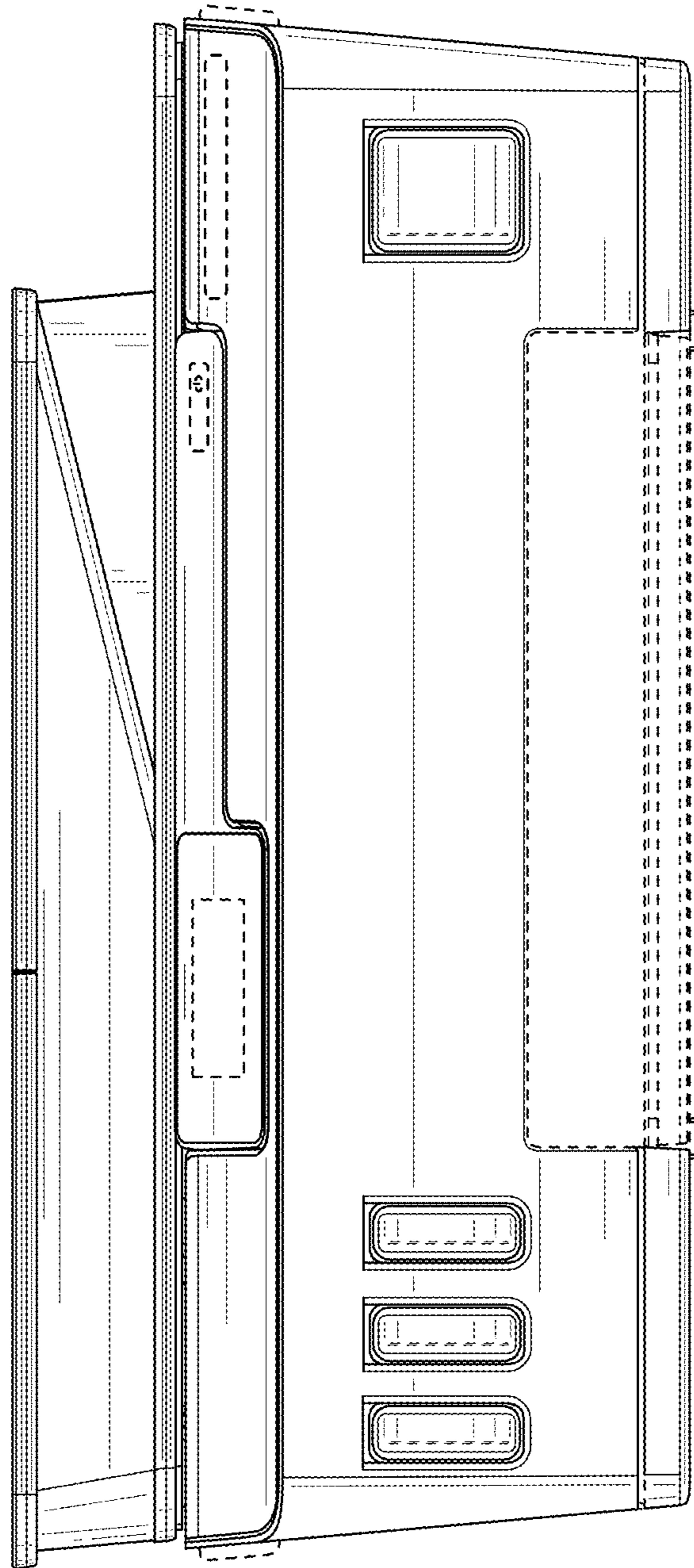


FIG. 2

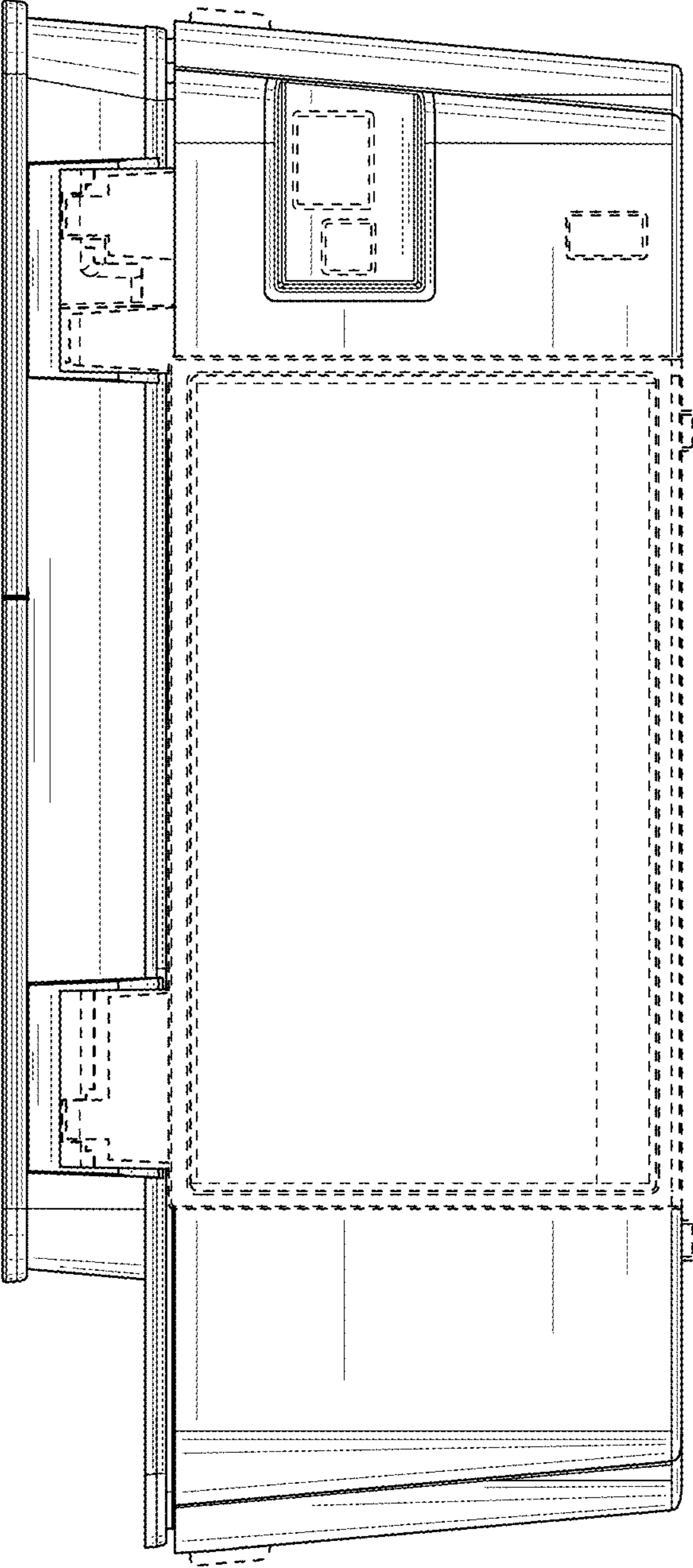


FIG. 3

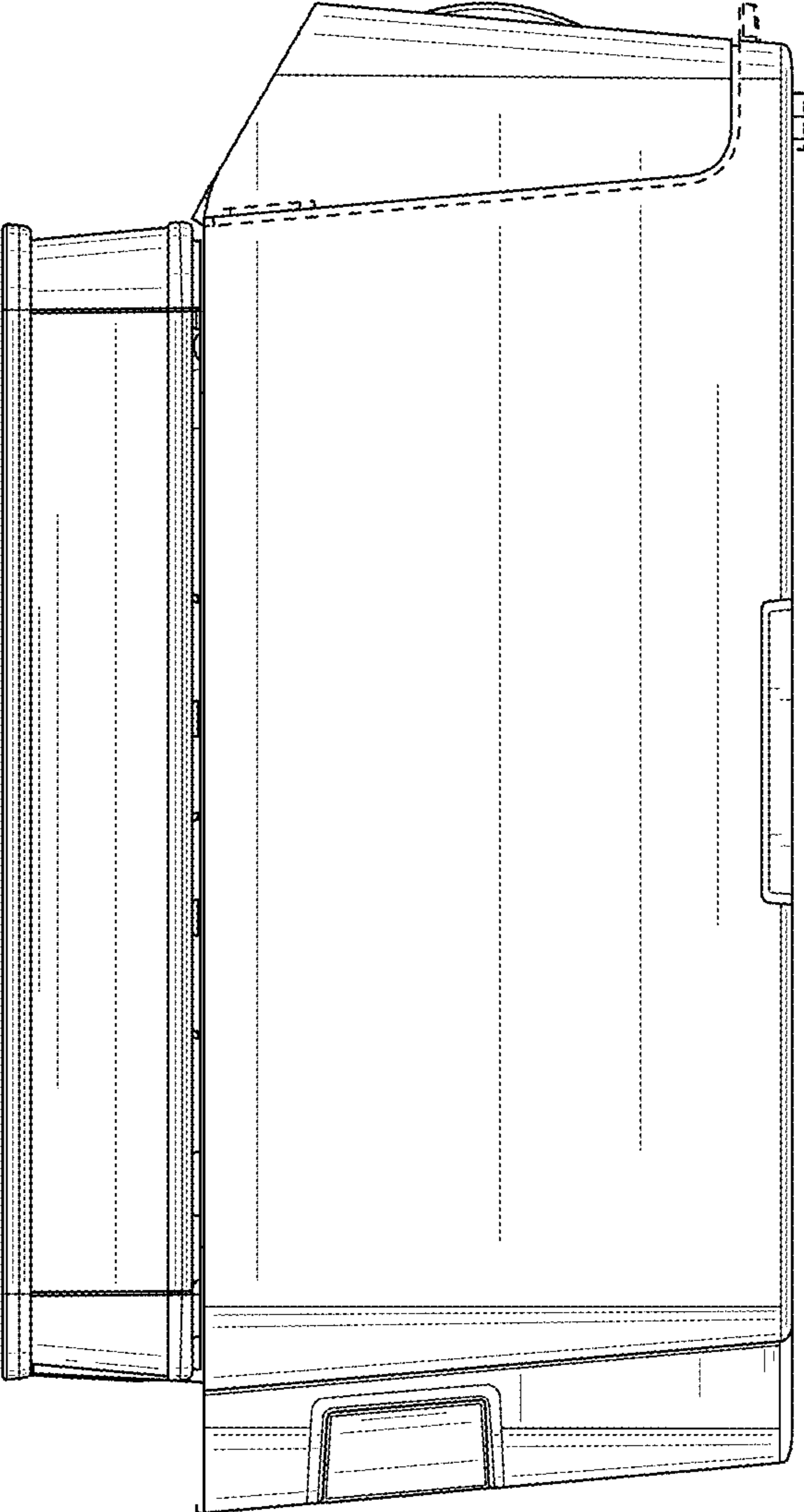


FIG. 4

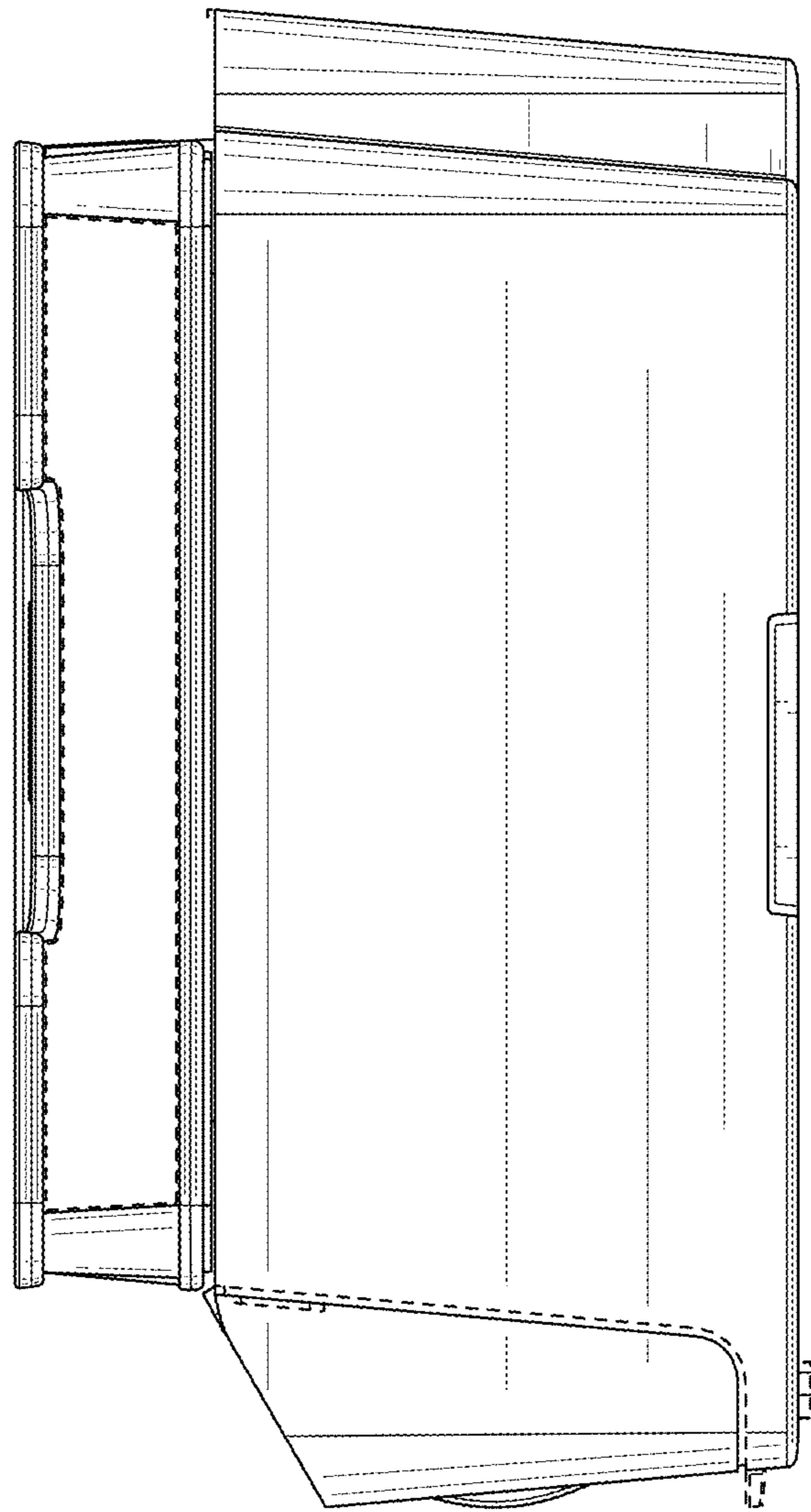


FIG. 5

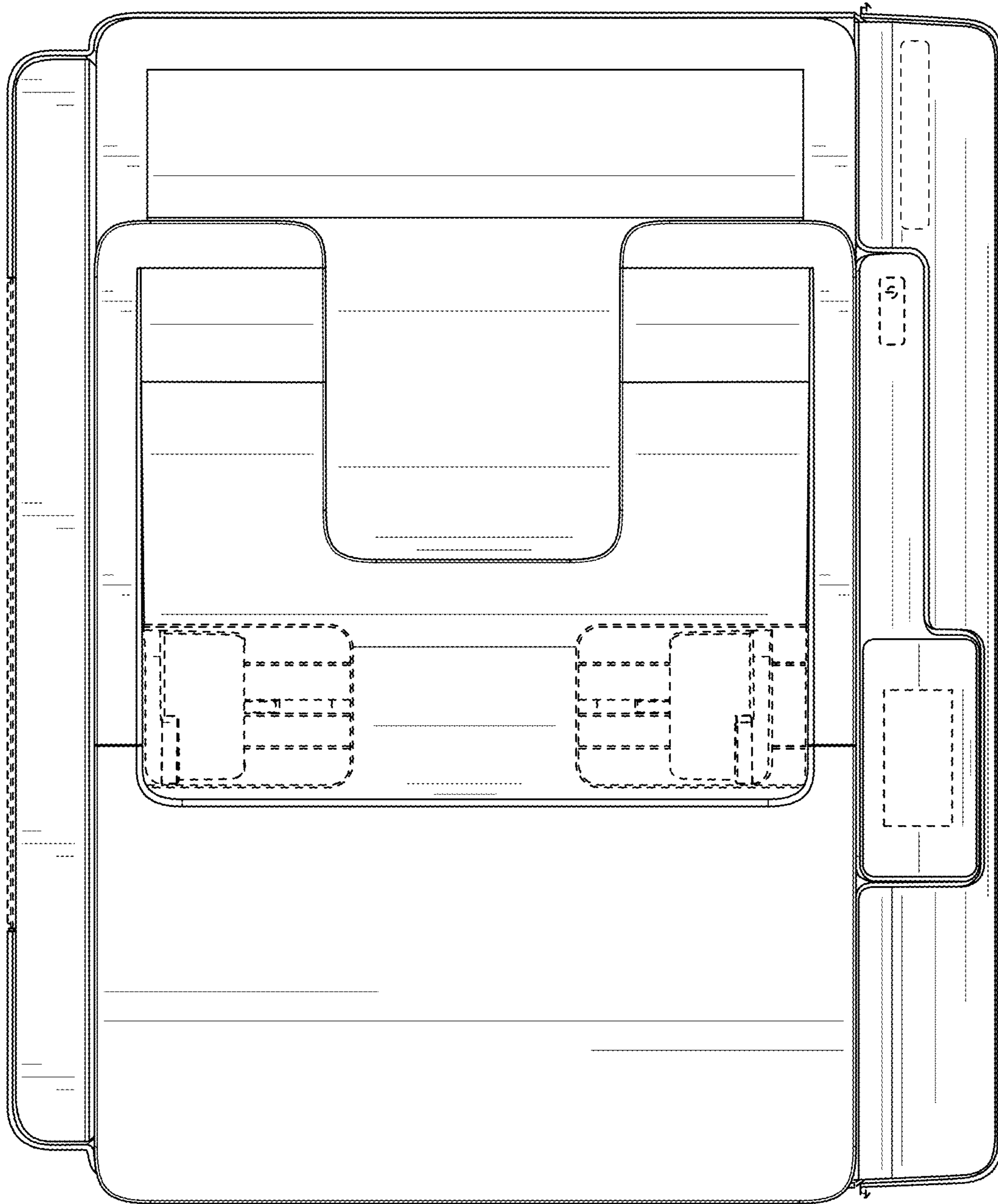


FIG. 6

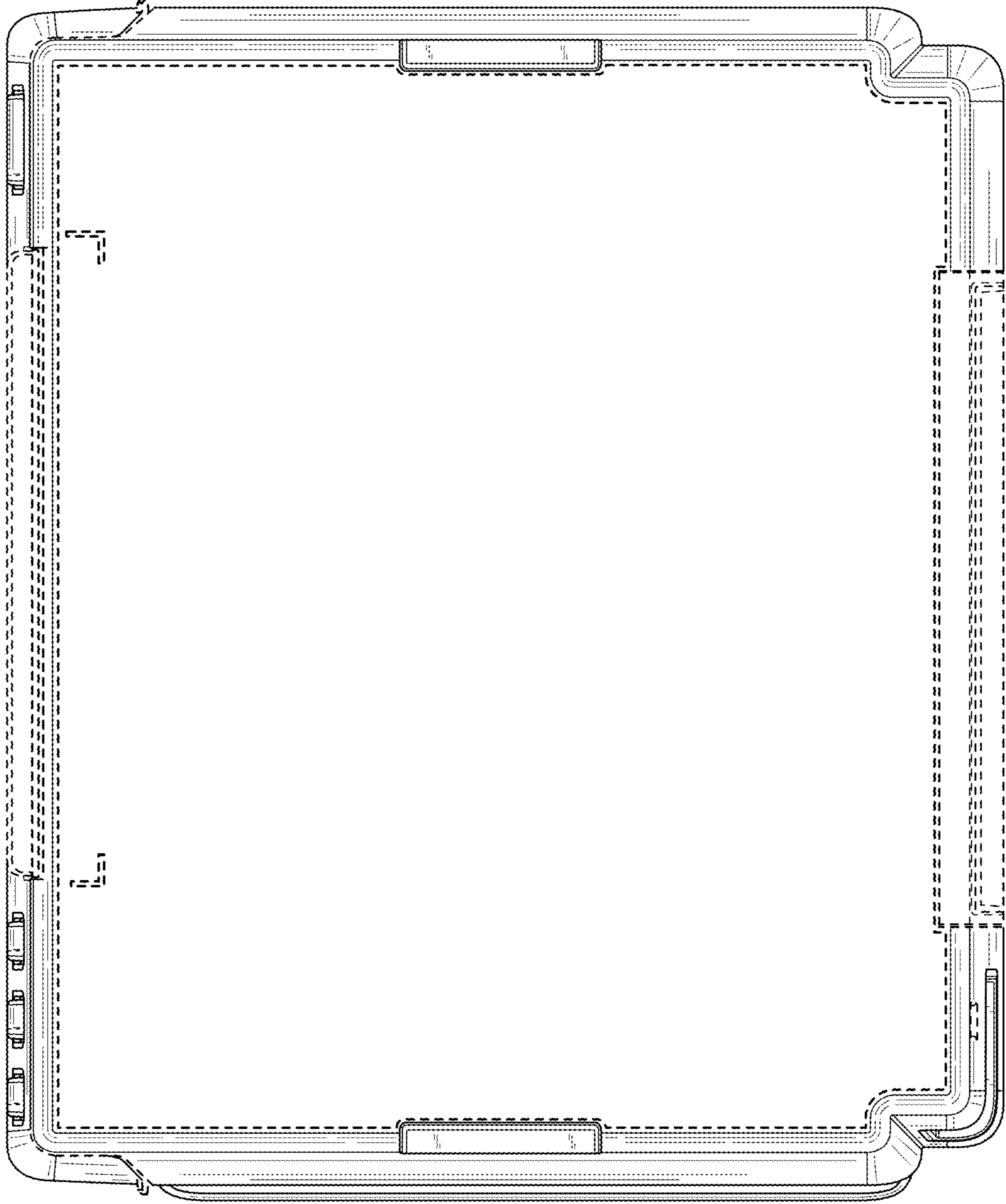


FIG. 7

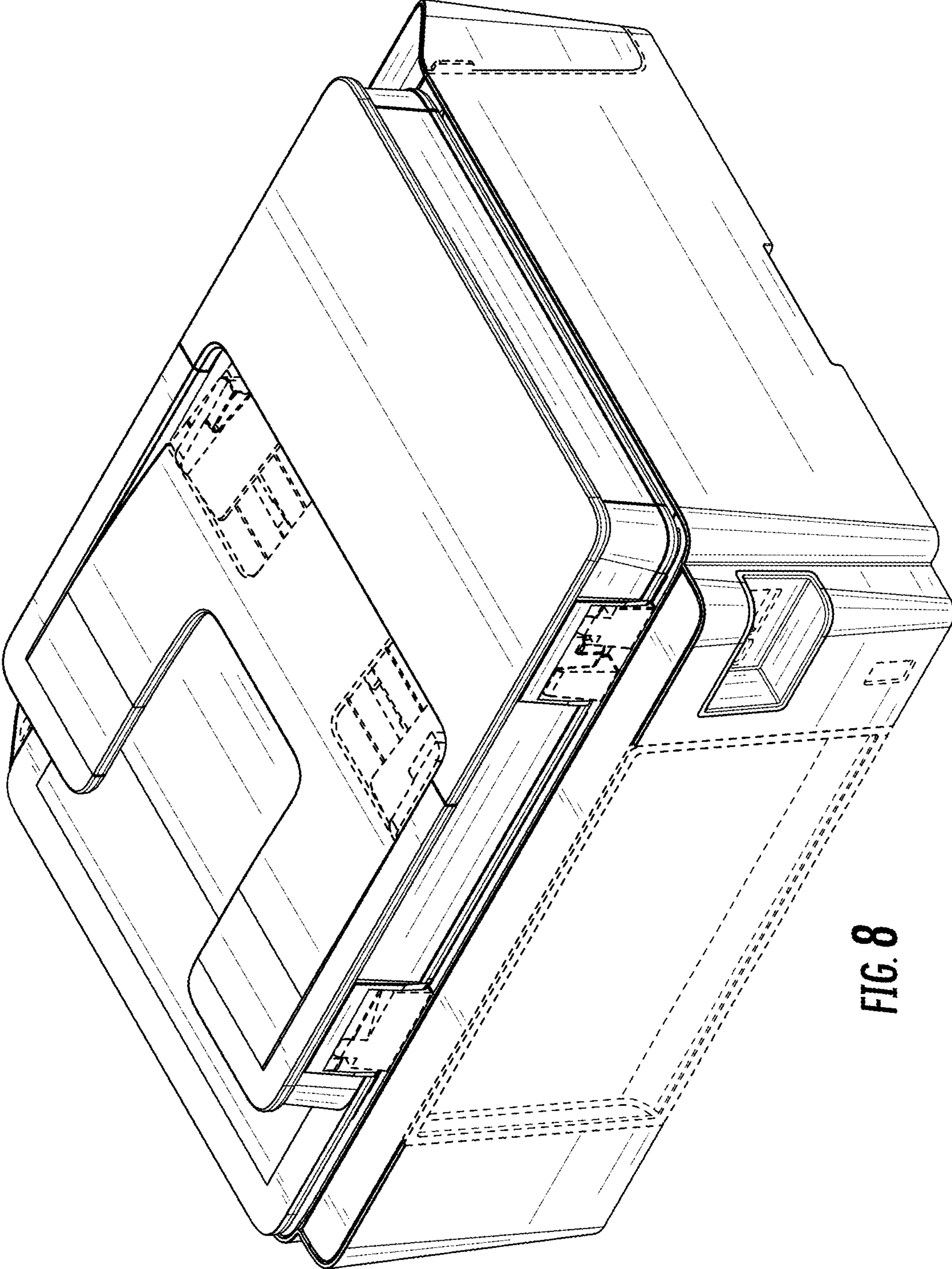


FIG. 8