



US00D923700S

(12) **United States Design Patent**
Choi et al.

(10) **Patent No.:** **US D923,700 S**
(45) **Date of Patent:** **** Jun. 29, 2021**

(54) **BINDER**
(71) Applicant: **Fellowes, Inc.**, Itasca, IL (US)
(72) Inventors: **Taiwon Choi**, Glenview, IL (US);
Dominick Padovano, Chicago, IL (US)
(73) Assignee: **FELLOWES, INC.**, Itasca, IL (US)
(**) Term: **15 Years**

D325,043 S * 3/1992 Widdison D18/34.5
D482,058 S * 11/2003 Knight D18/34.2
D482,385 S * 11/2003 Knight D18/34.2
D483,798 S * 12/2003 Knight D18/34.2
D504,148 S * 4/2005 Smith D18/34.2
D550,278 S * 9/2007 Farneti D18/34.1
D550,759 S * 9/2007 Beno D18/34.2
D607,042 S * 12/2009 Davidson D18/34.2

(Continued)

(21) Appl. No.: **29/666,802**
(22) Filed: **Oct. 16, 2018**
(51) **LOC (13) Cl.** **18-04**
(52) **U.S. Cl.**
USPC **D18/34.2**

FOREIGN PATENT DOCUMENTS

CN 301647842 * 8/2011
CN 302383569 * 4/2013

(Continued)

(58) **Field of Classification Search**
USPC D18/34.1, 34.2, 34.3, 34.4, 34.5, 34.6,
D18/34.7, 34.8, 34.9; D8/51, 98;
D15/127
CPC ... B42C 9/0006; B42C 9/0012; B42C 9/0018;
B42C 9/0025; B42C 9/0031; B42C
9/0037; B42C 9/0043; B42C 9/005; B42C
9/0056; B42C 9/0062; B42C 9/0068;
B42C 9/0075; B42C 9/0081; B42C
9/0087; B42C 9/0093; B42C 9/02; B42C
11/02; B42C 11/04; B42C 11/045; B42C
11/06; B42C 13/00; B42C 13/003; B42C
13/006; B05C 1/00; B05C 1/003; B05C
1/006; B05C 1/0808; B05C 1/0813; B05C
1/0821; B42D 3/002; B42B 2/02; B42B
2/04; B42B 2/06; B42B 2/08; B42B 4/02;
B42B 9/00; B26F 1/02

OTHER PUBLICATIONS

Office Depot. Link: <http://www.officedepot.com/a/products/8641633/Fellowes-Lyra-3-in-1-Manual/>. Visited Nov. 6, 2020. Fellowes Lyra Binding Center 300 Sht WhtGry. (Year: 2020).*

(Continued)

See application file for complete search history.

Primary Examiner — Lauren D McVey
(74) *Attorney, Agent, or Firm* — Pillsbury Winthrop Shaw Pittman LLP

(56) **References Cited**
U.S. PATENT DOCUMENTS

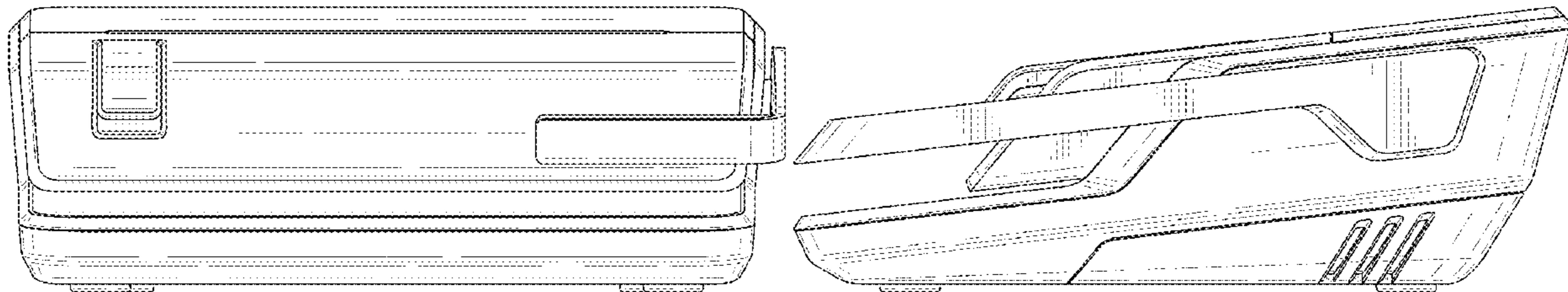
4,986,713 A * 1/1991 Zoltner B42B 5/06
281/21.1
D320,407 S * 10/1991 Lathrop, Jr. D18/34.1

(57) **CLAIM**
The ornamental design for a binder, as shown and described.

DESCRIPTION

FIG. 1 is a top perspective view of a binder according to our design;
FIG. 2 is a front elevational view of the binder;
FIG. 3 is a back elevational view of the binder;
FIG. 4 is a right side elevational view of the binder;
FIG. 5 is a left side elevational view of the binder;
FIG. 6 is a top plan view of the binder; and,
FIG. 7 is a bottom plan view of the binder.

1 Claim, 5 Drawing Sheets



(56)

References Cited

U.S. PATENT DOCUMENTS

7,789,385 B2 * 9/2010 Knight B42B 5/103
270/58.17
D630,242 S * 1/2011 Burton D18/34.1
8,434,987 B2 * 5/2013 Szoke B26F 1/02
412/38

FOREIGN PATENT DOCUMENTS

CN 303509552 * 12/2015
DE 3702529 A1 * 6/1988 B42D 3/002
DE 2147801 A2 * 1/2010 B42C 13/00
WO WO-2005110691 A1 * 11/2005 B42C 13/00

OTHER PUBLICATIONS

YouTube. Link: <https://www.youtube.com/watch?v=xkTRUiCJwY8>.
Aug. 3, 2011. Fellowes Galaxy 500 Plastic Comb Binding Machine
Demo—5218201. (Year: 2011).*
YouTube. Link: https://www.youtube.com/watch?v=TzN_gmb_D2g.
Jul. 27, 2011. Fellowes Pulsar 300 Plastic Comb Binding
Machine Demo—5216601. (Year: 2011).*

* cited by examiner

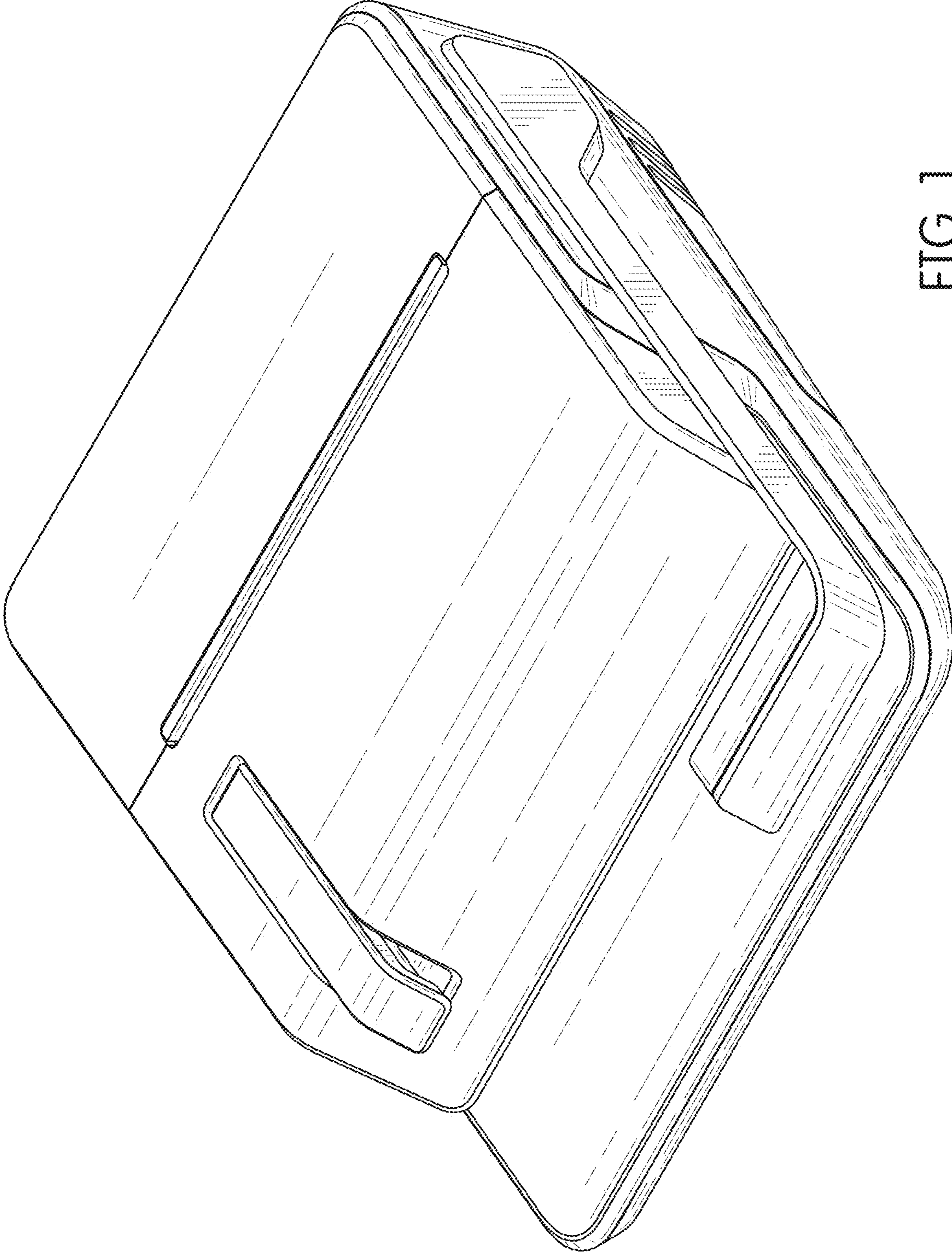


FIG. 1

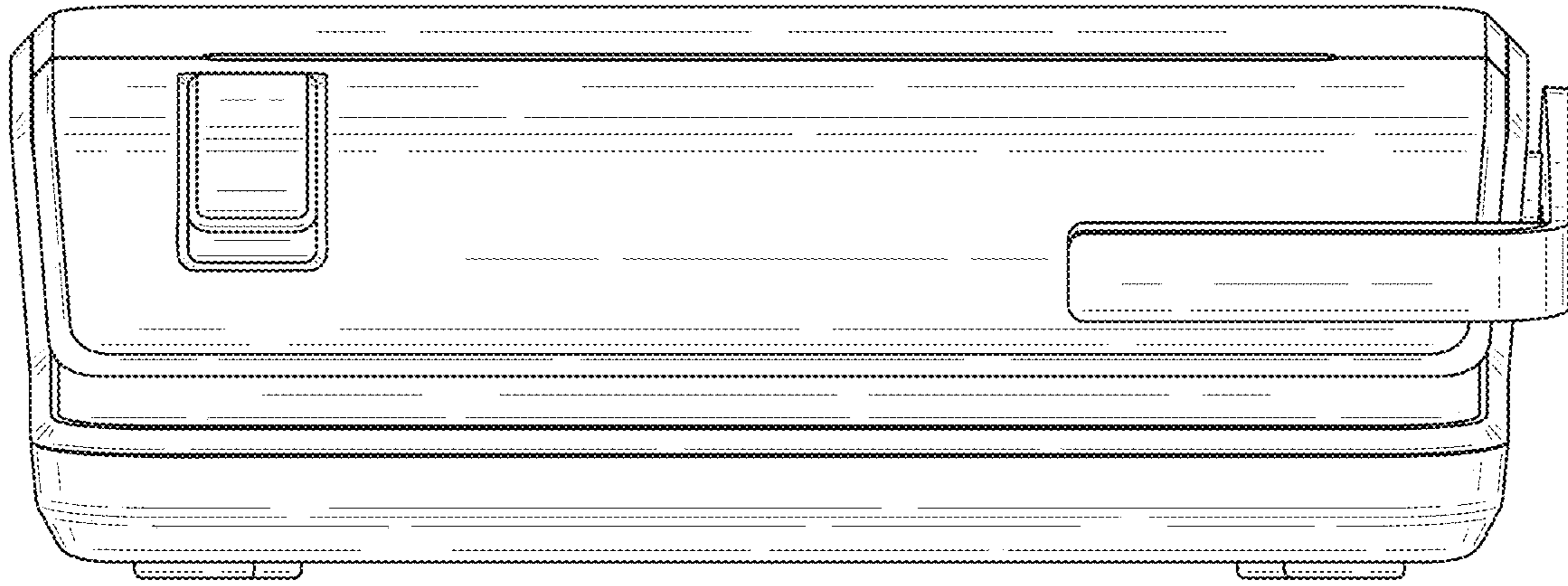


FIG. 2

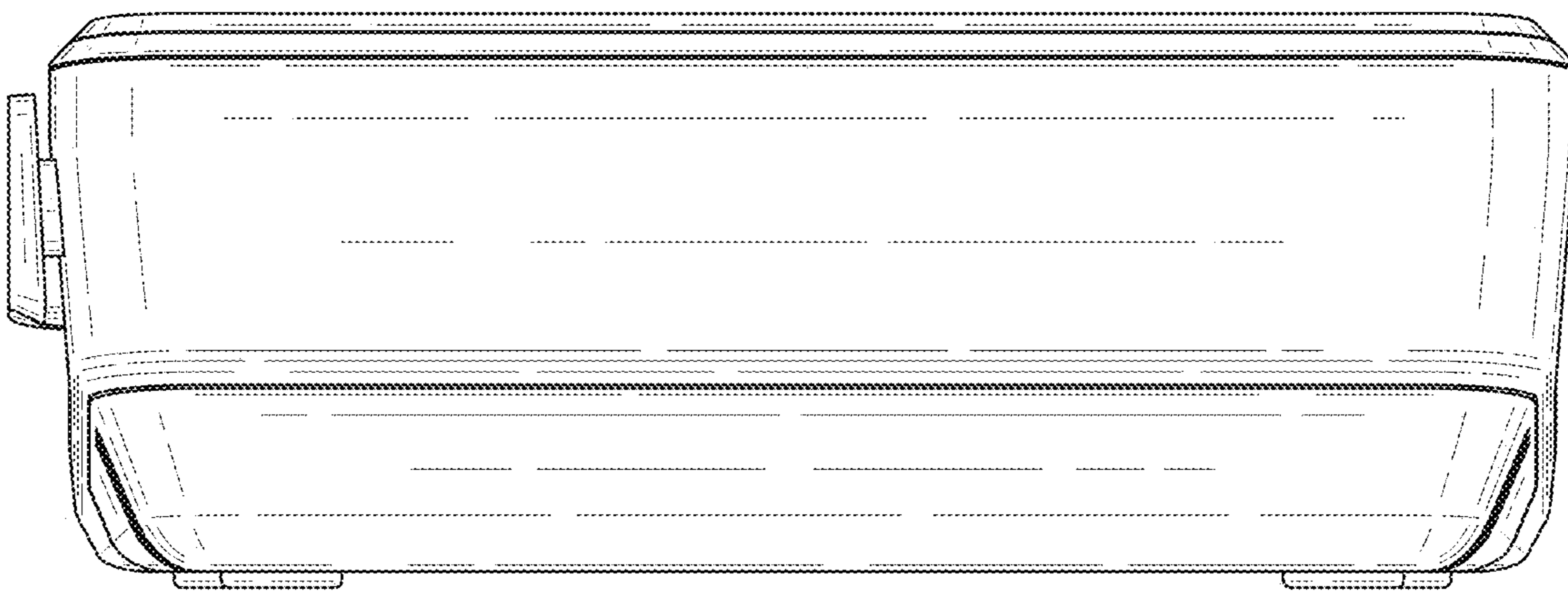


FIG. 3

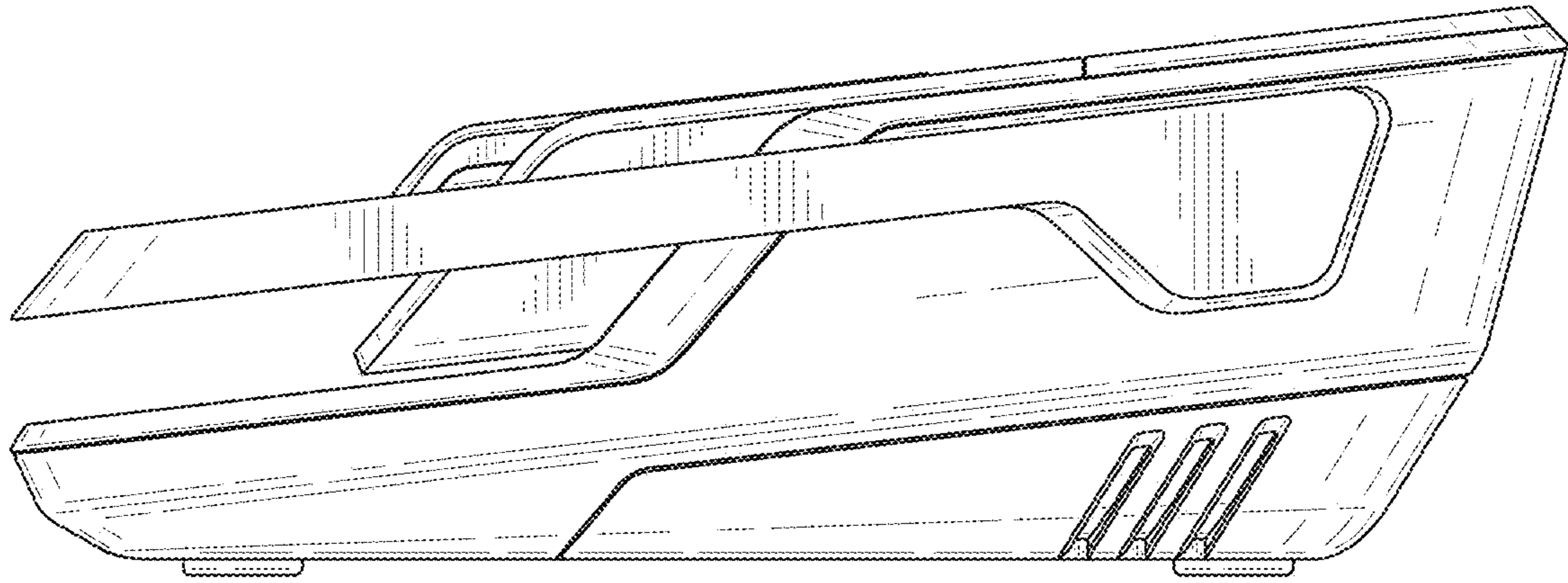


FIG. 4

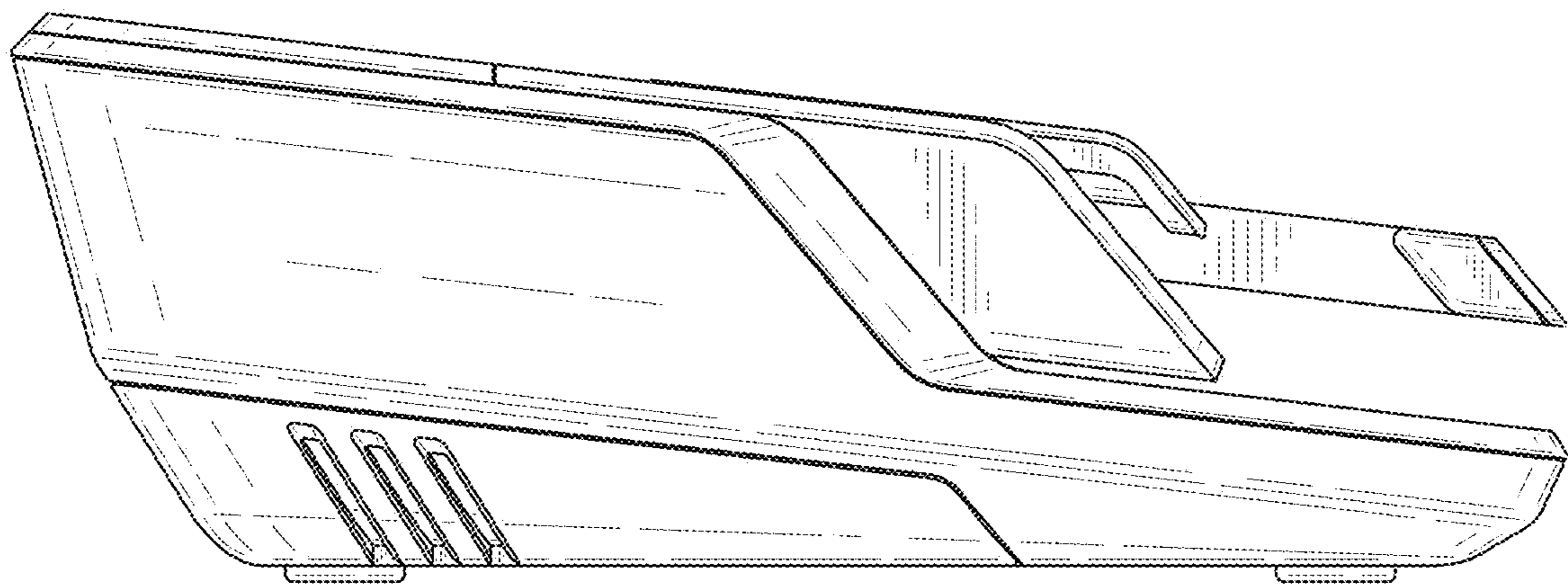


FIG. 5

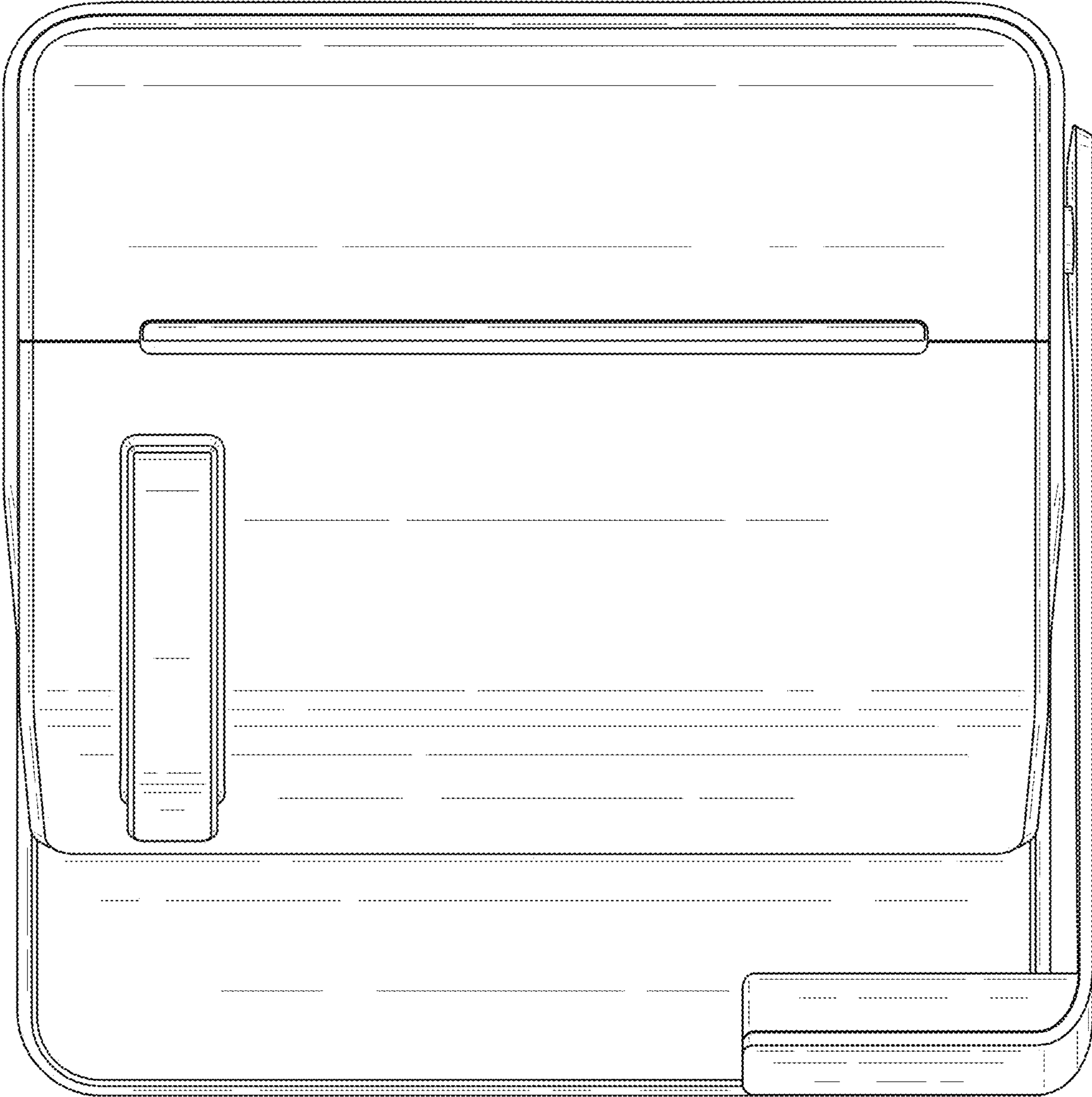


FIG. 6

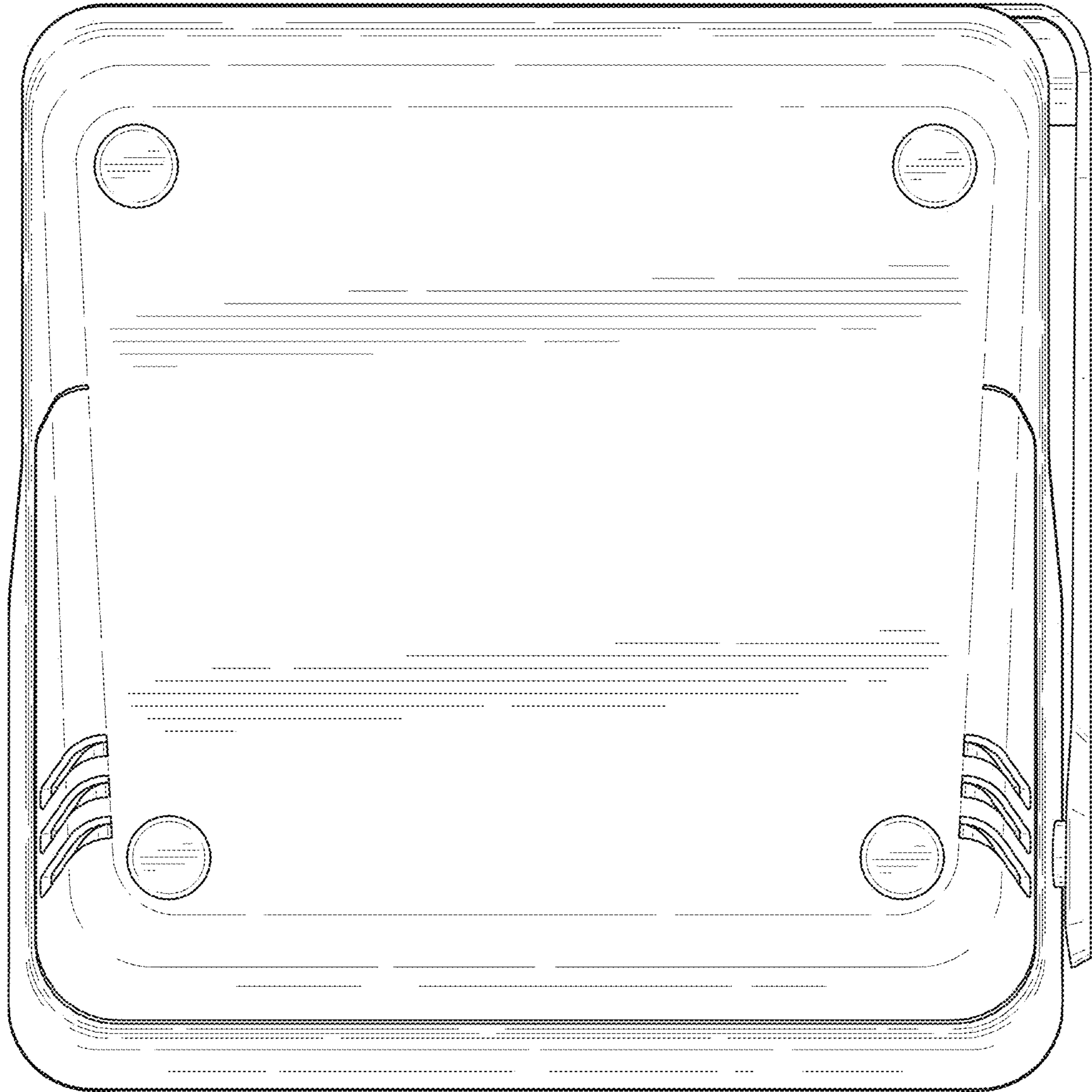


FIG. 7