



US00D923695S

(12) **United States Design Patent**
Long et al.

(10) **Patent No.:** **US D923,695 S**

(45) **Date of Patent:** **** Jun. 29, 2021**

(54) **STEEL TONGUE DRUM**

(71) Applicant: **DONGGUAN MANZHUSHAHUA
MUSICAL INSTRUMENT
MANUFACTURING CO., LTD.,**
Dongguan (CN)

(72) Inventors: **Feiyu Long**, Dongguan (CN); **Xiaojin
Cai**, Dongguan (CN)

(73) Assignee: **DONGGUAN MANZHUSHAHUA
MUSICAL INSTRUMENT
MANUFACTURING CO., LTD.,**
Dongguan (CN)

(**) Term: **15 Years**

(21) Appl. No.: **29/768,401**

(22) Filed: **Jan. 29, 2021**

(30) **Foreign Application Priority Data**

Jul. 31, 2020 (CN) 202030430016.2

(51) **LOC (13) Cl.** **17-04**

(52) **U.S. Cl.**
USPC **D17/22**

(58) **Field of Classification Search**
USPC D17/22, 99; D21/405, 406
CPC G10D 13/00; G10D 13/01; G10D 13/02;
G10D 13/03; G10D 13/10; G10D 13/12;
G10D 13/18
See application file for complete search history.

(56) **References Cited**

U.S. PATENT DOCUMENTS

D737,367 S * 8/2015 Rohner D17/22
D737,368 S * 8/2015 Rohner D17/22

D759,747 S * 6/2016 Rohner D17/22
D794,115 S * 8/2017 Rohner D17/22
10,373,594 B1 * 8/2019 Doe G10D 13/08
D885,478 S 5/2020 Yang
D908,168 S 1/2021 Chen
D910,110 S * 2/2021 Tirabassi D17/22
2016/0253984 A1 * 9/2016 Zamarripa G10G 5/00
248/305

FOREIGN PATENT DOCUMENTS

DE 202016101055 U1 * 3/2016 G10D 13/02
DE 202016005454 U1 * 3/2017 G10D 13/02

* cited by examiner

Primary Examiner — R. Johnson

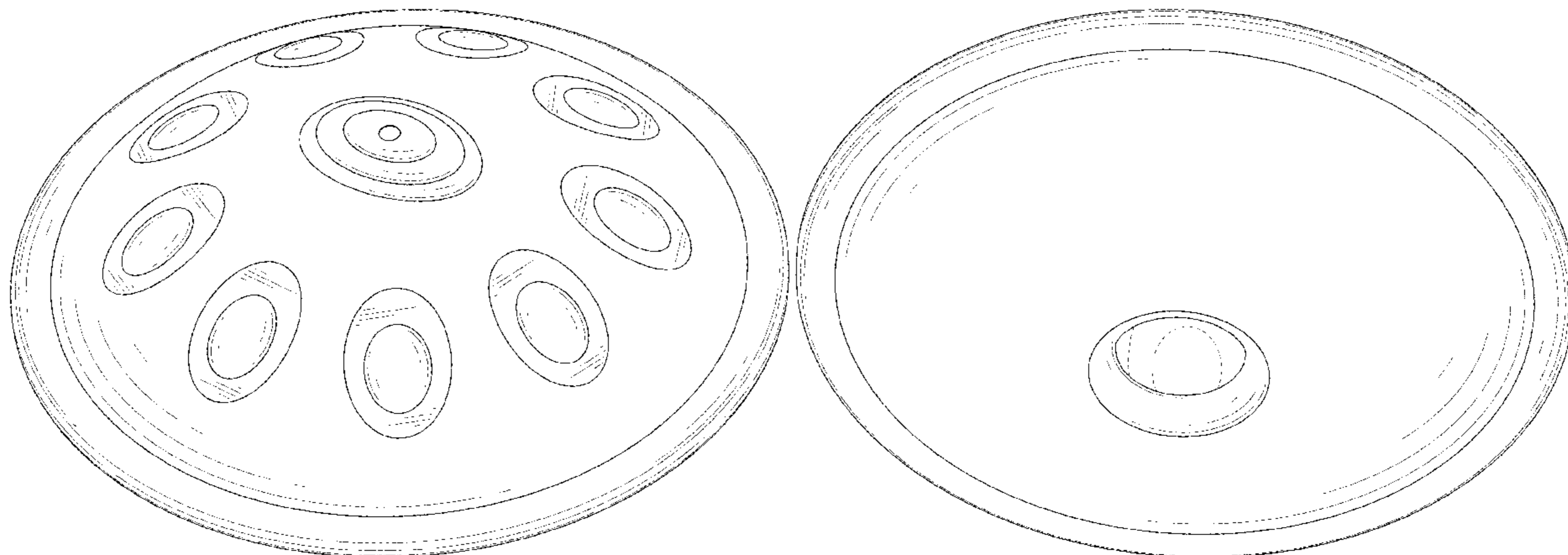
(57) **CLAIM**

The ornamental design for a steel tongue drum, as shown and described.

DESCRIPTION

FIG. 1 is a perspective view of a steel tongue drum showing my new design;
FIG. 2 is another perspective view thereof;
FIG. 3 is a front elevational view thereof;
FIG. 4 is a rear elevational view thereof;
FIG. 5 is a left side elevational view thereof;
FIG. 6 is a right side elevational view thereof;
FIG. 7 is a top plan view thereof; and,
FIG. 8 is a bottom plan view thereof.
The broken lines in the drawings depict portions of the steel tongue drum that form no part of the claimed design.

1 Claim, 8 Drawing Sheets



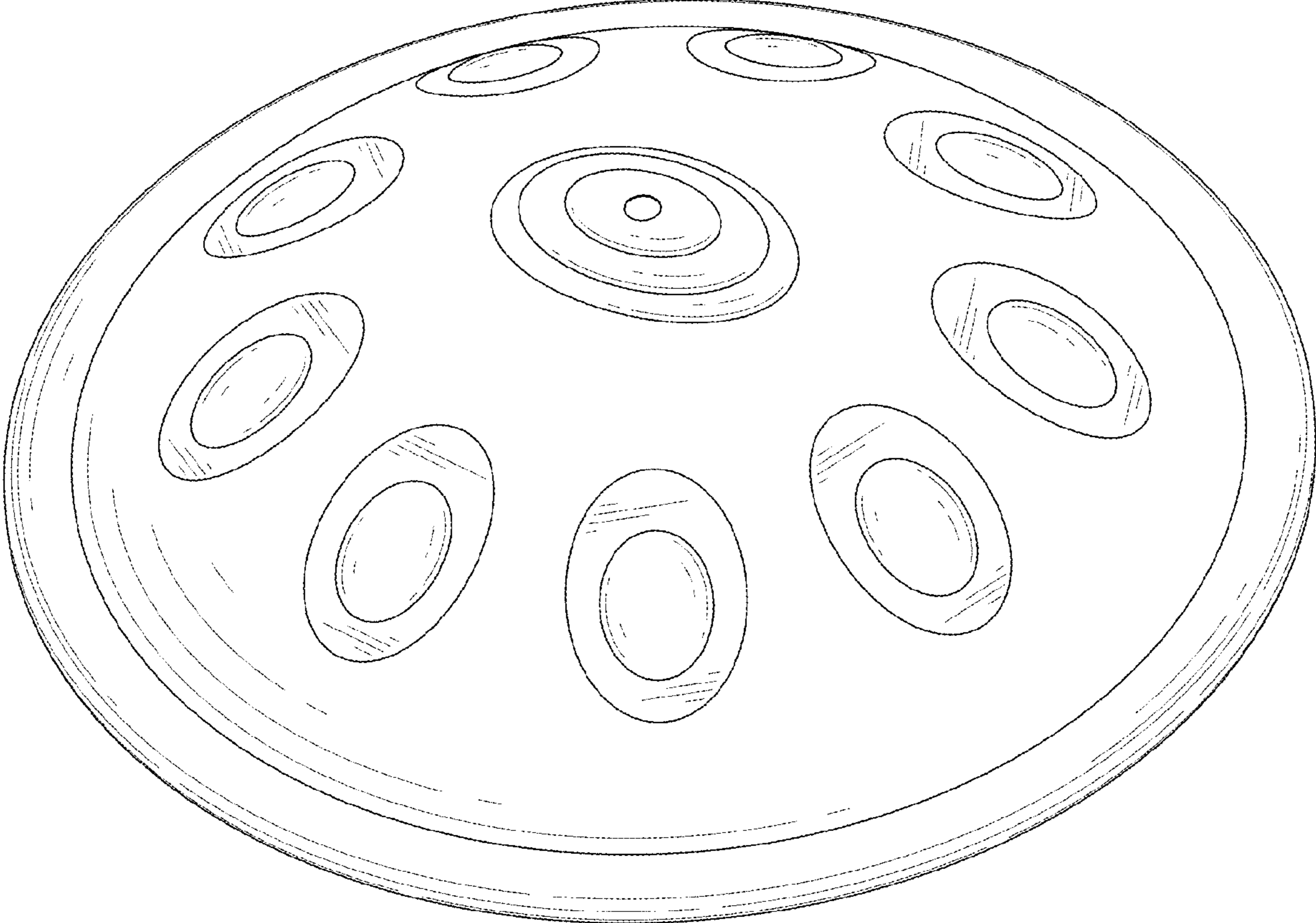


FIG. 1

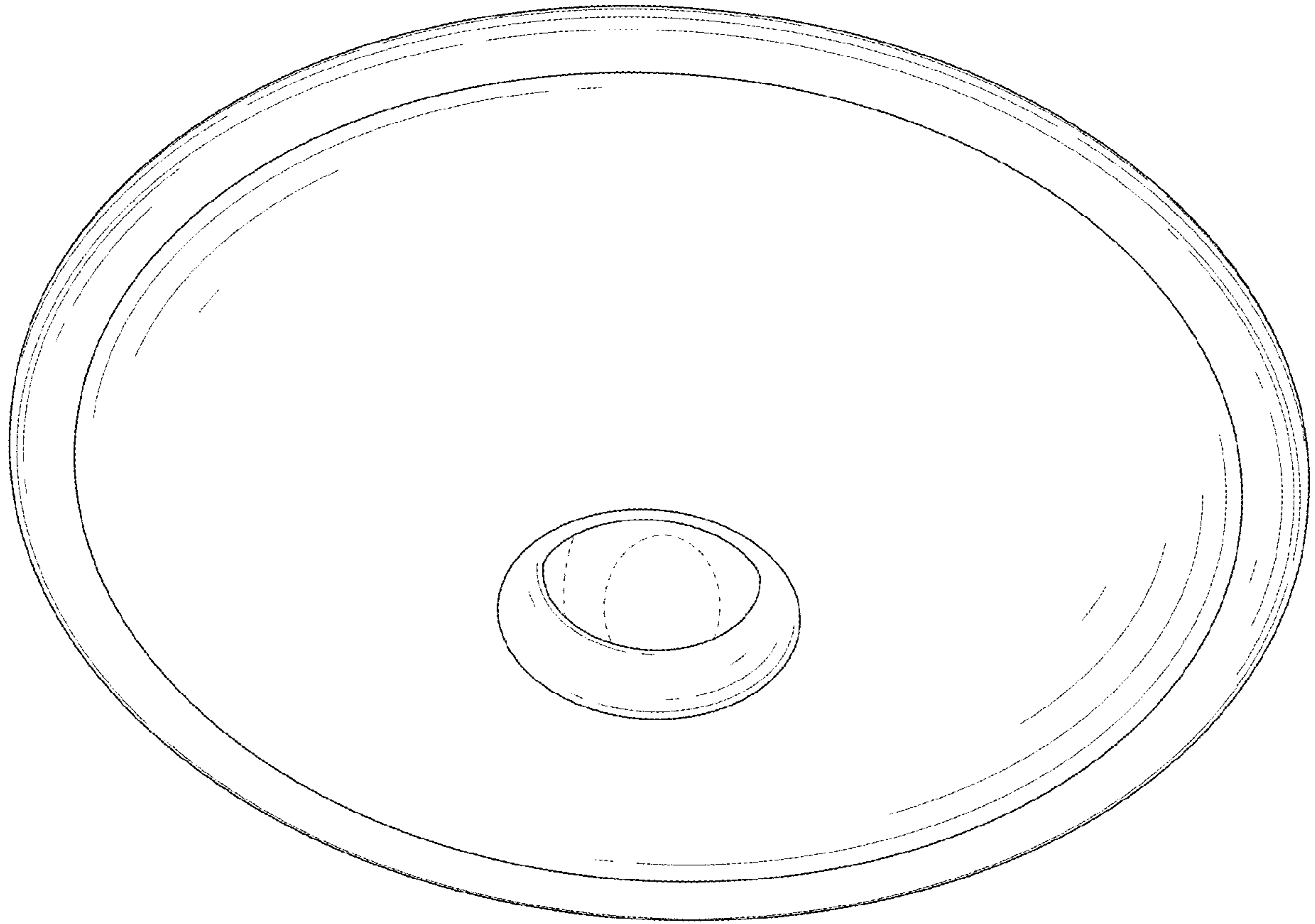


FIG. 2

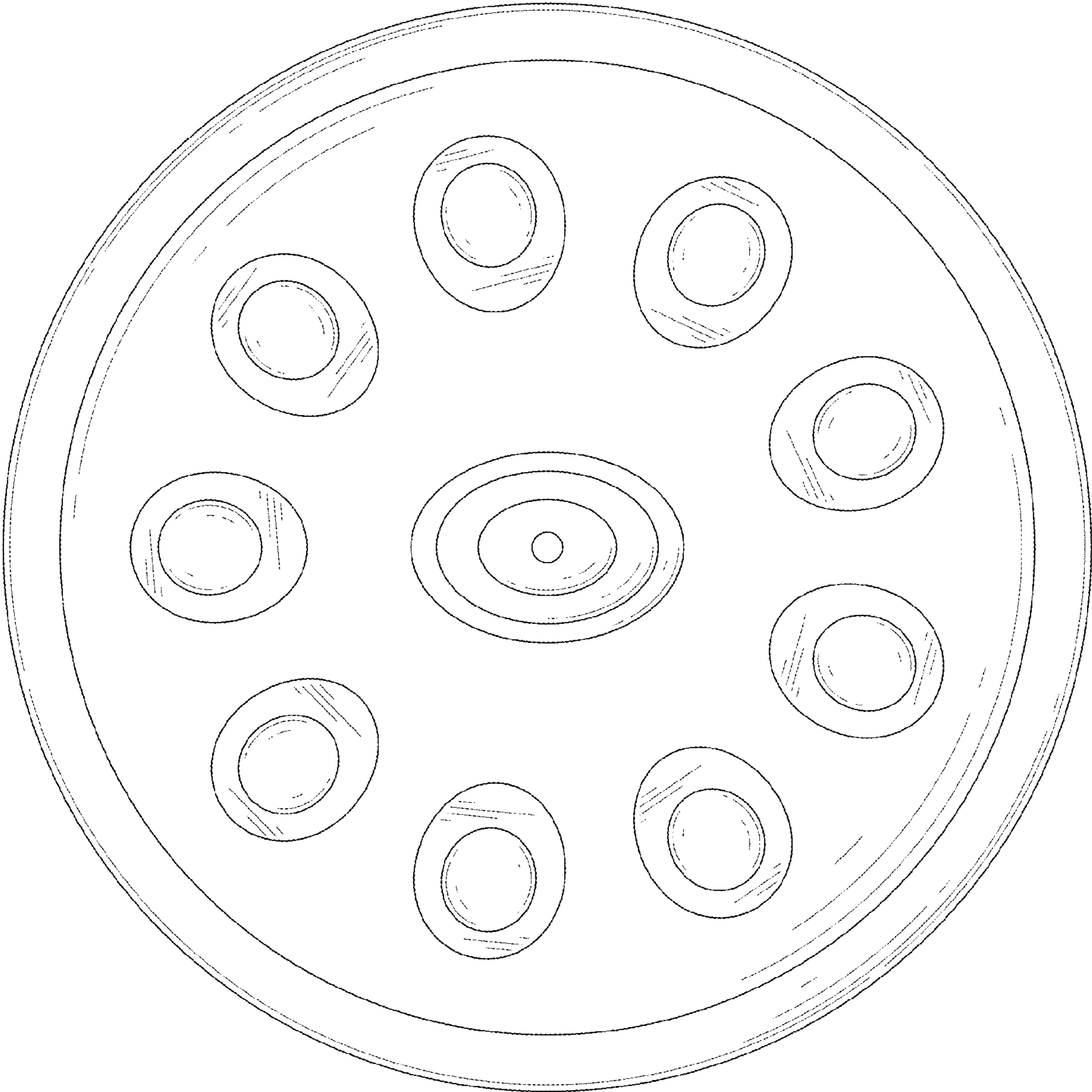


FIG. 3

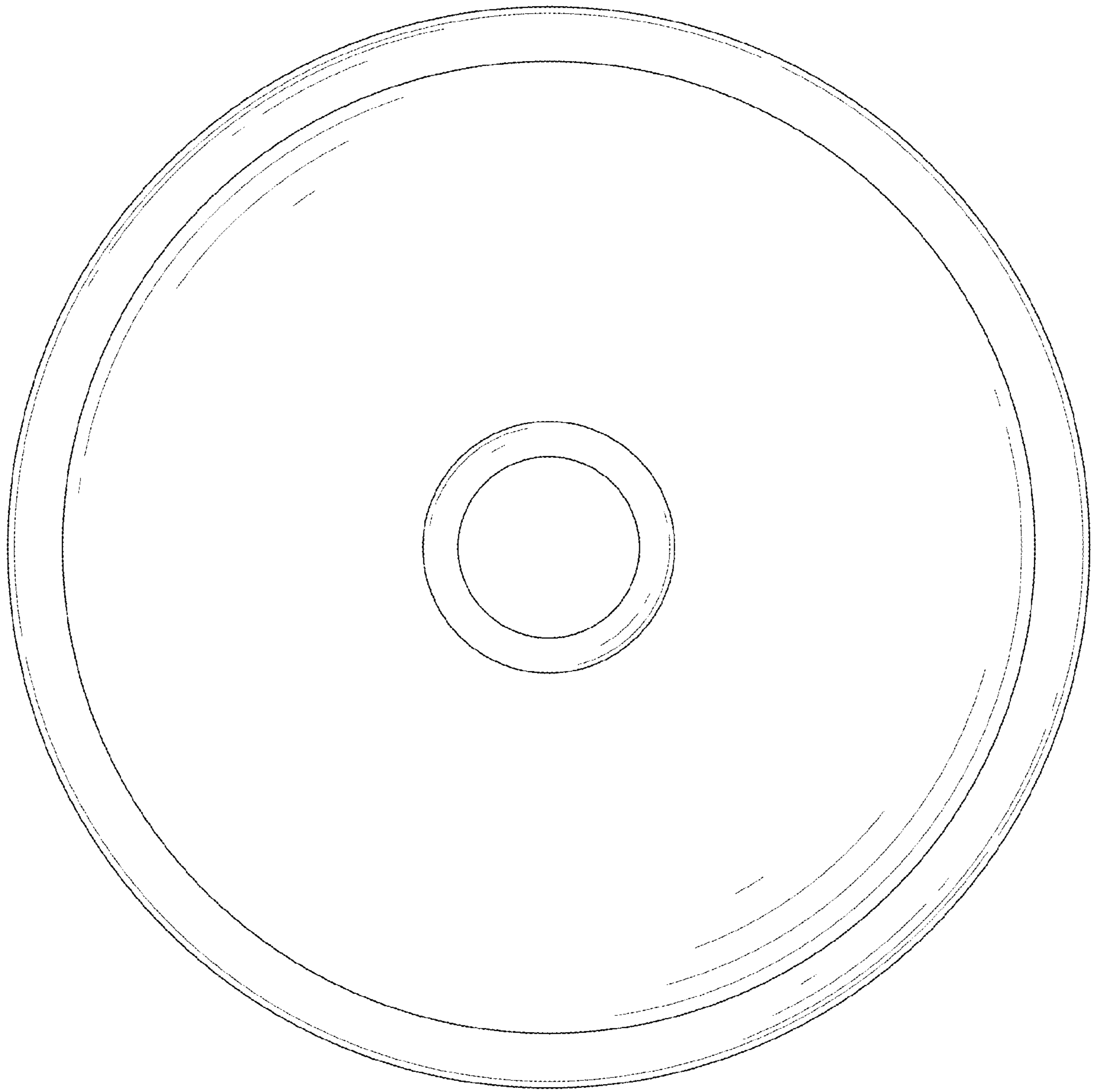


FIG. 4

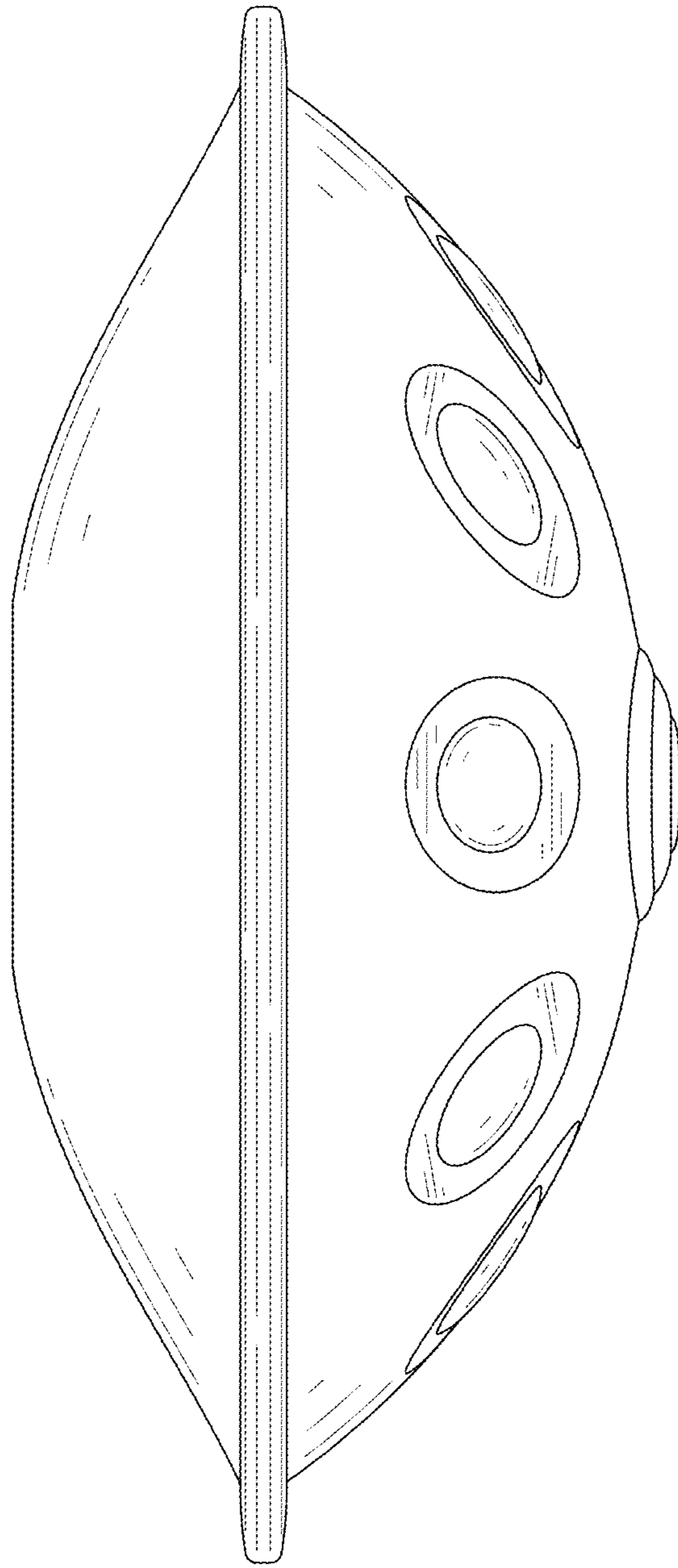


FIG. 5

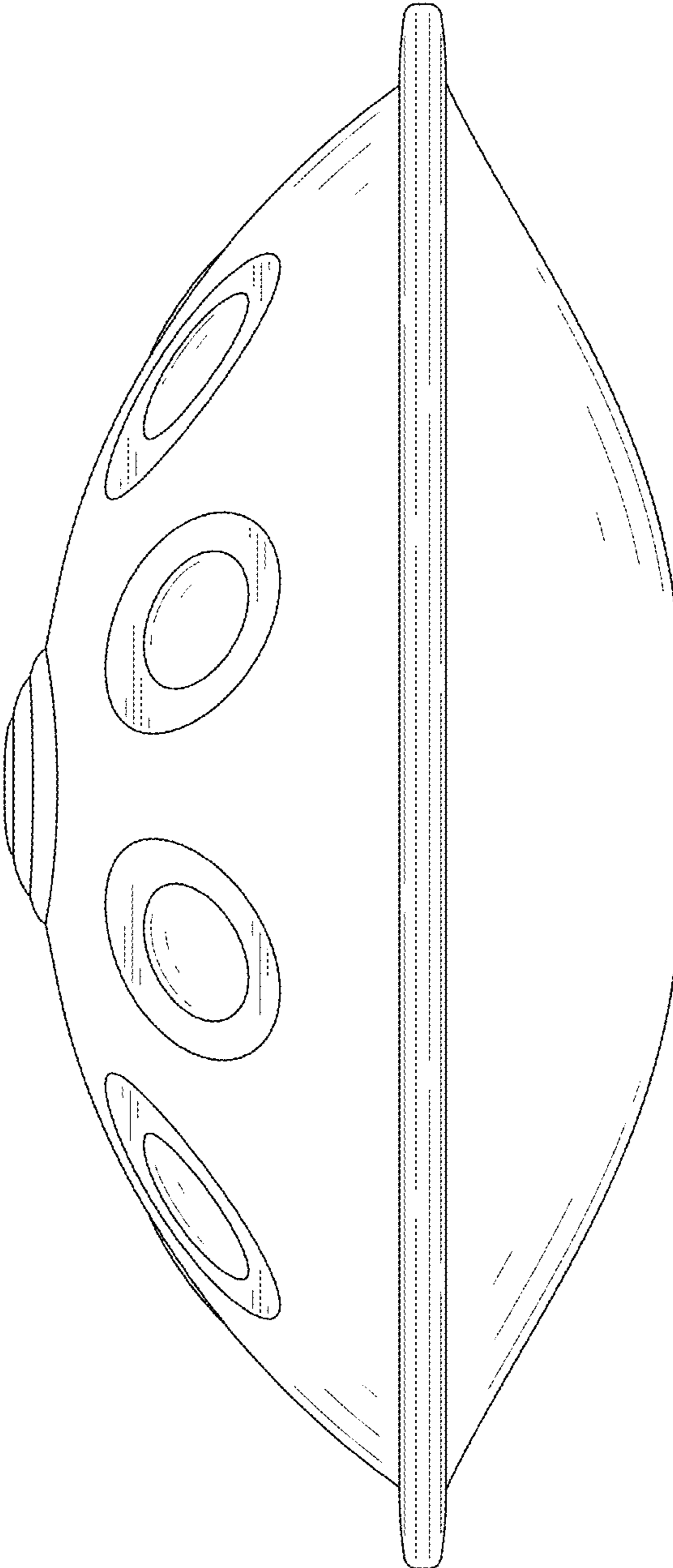


FIG. 6

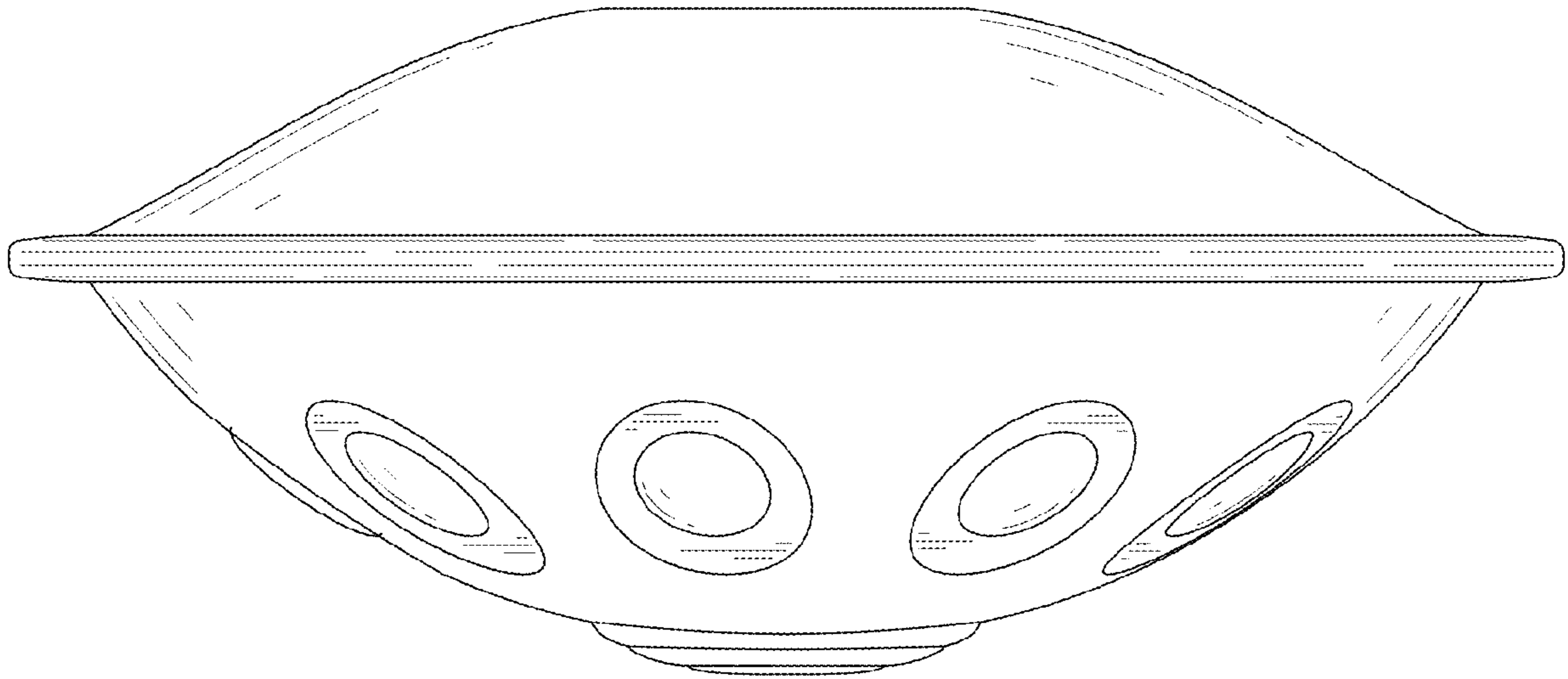


FIG. 7

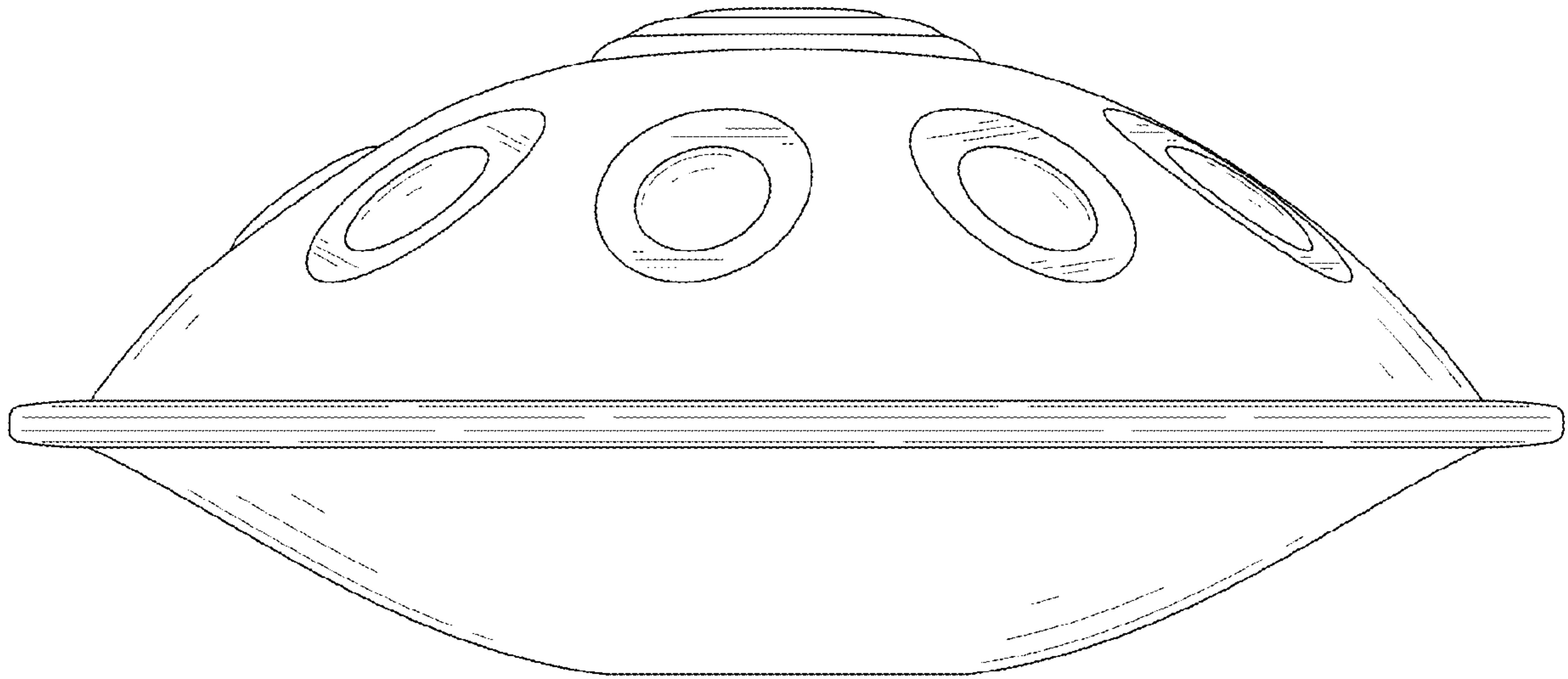


FIG. 8