



US00D923694S

(12) **United States Design Patent**  
**Ko et al.**

(10) **Patent No.: US D923,694 S**  
(45) **Date of Patent: \*\* Jun. 29, 2021**

(54) **GLASSES**

(71) Applicant: **Good Citizens Pty Ltd, Rozelle (AU)**

(72) Inventors: **Edward Ko, Redfern (AU); Andrew Simpson, Redfern (AU)**

(73) Assignee: **Good Citizens Pty Ltd.**

(\*\*) Term: **15 Years**

(21) Appl. No.: **29/703,311**

(22) Filed: **Aug. 26, 2019**

(30) **Foreign Application Priority Data**

Feb. 25, 2019 (AU) ..... 201911000

(51) **LOC (13) Cl.** ..... **16-06**

(52) **U.S. Cl.**  
USPC ..... **D16/335**

(58) **Field of Classification Search**  
USPC ..... 351/43, 44-47, 49, 59, 63, 69, 104, 123,  
351/126, 131, 132, 135, 145; D16/101,  
D16/300-342; D29/108-110; D14/372;  
D11/40-44

CPC ..... G02C 5/22; G02C 5/2218; G02C 5/2236;  
G02C 5/2245; G02C 5/2254; G02C  
5/2272; G02C 5/14; G02C 5/143; G02C  
5/146; G02C 5/18; G02C 5/20; G02C  
5/12; G02C 5/124; G02C 5/126; G02C  
11/02; G02C 11/06; G02C 7/10; G02C  
9/04; A61F 9/00

See application file for complete search history.

(56) **References Cited**

**U.S. PATENT DOCUMENTS**

3,574,451 A \* 4/1971 Lazazzera ..... G02C 5/22  
351/121  
5,258,784 A \* 11/1993 Baines ..... G02C 5/14  
351/119

D551,283 S \* 9/2007 Hofmann ..... D16/327  
D602,976 S \* 10/2009 Corcagnani ..... D16/315  
D650,001 S \* 12/2011 Schwarzbauer ..... D16/315  
D658,707 S \* 5/2012 Anderl ..... G02C 5/18  
D16/335  
D682,924 S \* 5/2013 Cheung ..... D16/334  
D740,879 S \* 10/2015 Cheung ..... D16/300  
9,720,254 B1 \* 8/2017 Huang ..... G02C 7/14  
9,726,900 B1 \* 8/2017 Holzer ..... G02C 5/20

(Continued)

**FOREIGN PATENT DOCUMENTS**

DE 102005019850 A1 \* 11/2006 ..... G02C 5/10  
DE 202010013198 U1 \* 5/2011 ..... G02C 5/008

(Continued)

**OTHER PUBLICATIONS**

Goodcitizens: sunnies, announced Mar. 2020, [online], [site visited Dec. 19, 2014], Available from Internet, <URL:https://www.goodcitizens.com.au/pages/our-sunnies> (Year: 2020).\*

*Primary Examiner* — Sanjeev Paul  
(74) *Attorney, Agent, or Firm* — Morriss O'Bryant  
Compagni Cannon, PLLC

(57) **CLAIM**

The ornamental design for glasses, as shown and described herein.

**DESCRIPTION**

FIG. 1 is a front view in elevation of the glasses showing our new design;

FIG. 2 is a top view of the glasses showing our new design;

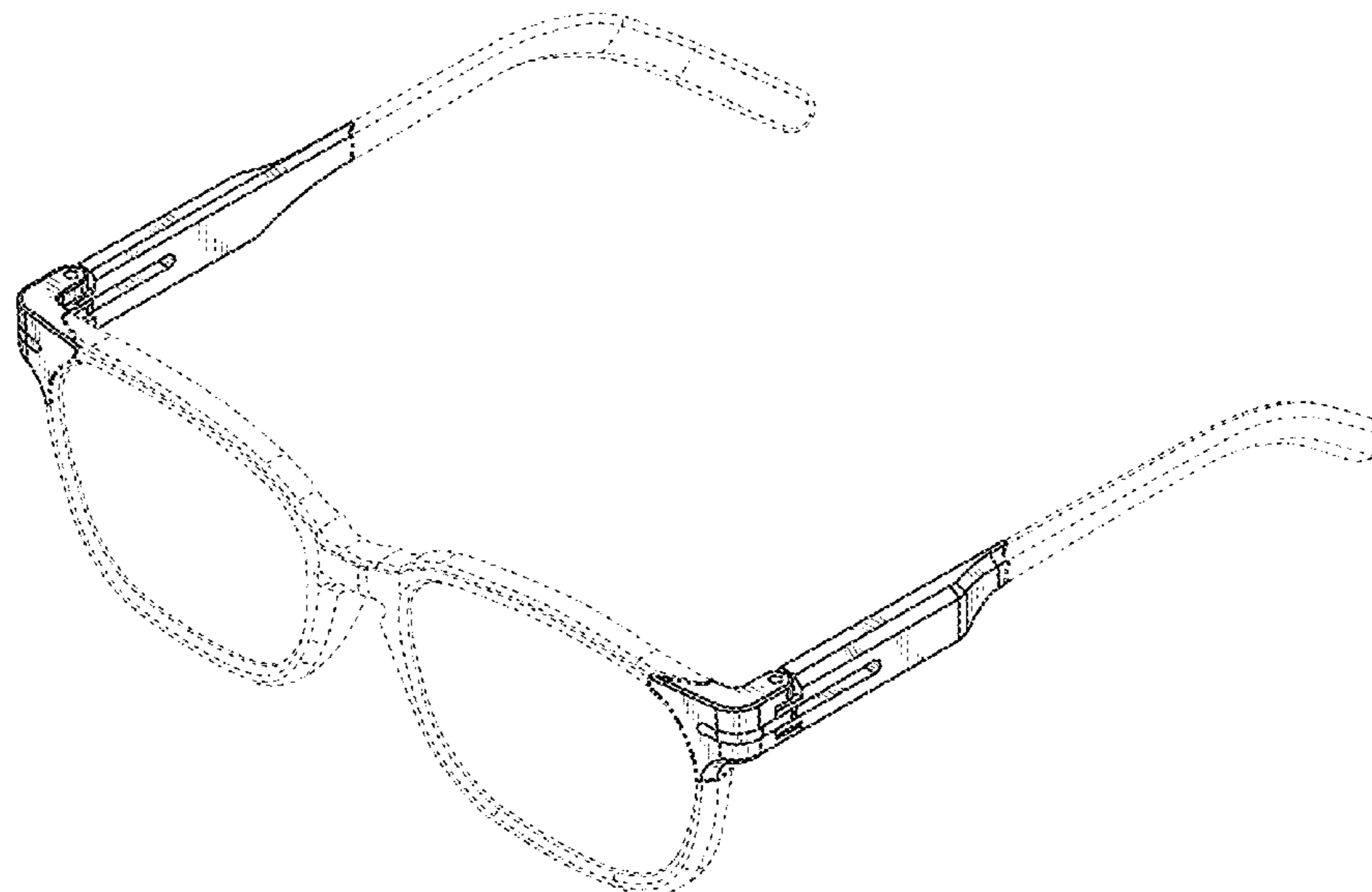
FIG. 3 is a left side view of the glasses;

FIG. 4 is a right side view of the glasses; and,

FIG. 5 is a perspective view of the glasses.

The dot-dash lines in the drawings illustrate the bounds of the claim and form no part of the claimed design.

**1 Claim, 4 Drawing Sheets**



(56)

**References Cited**

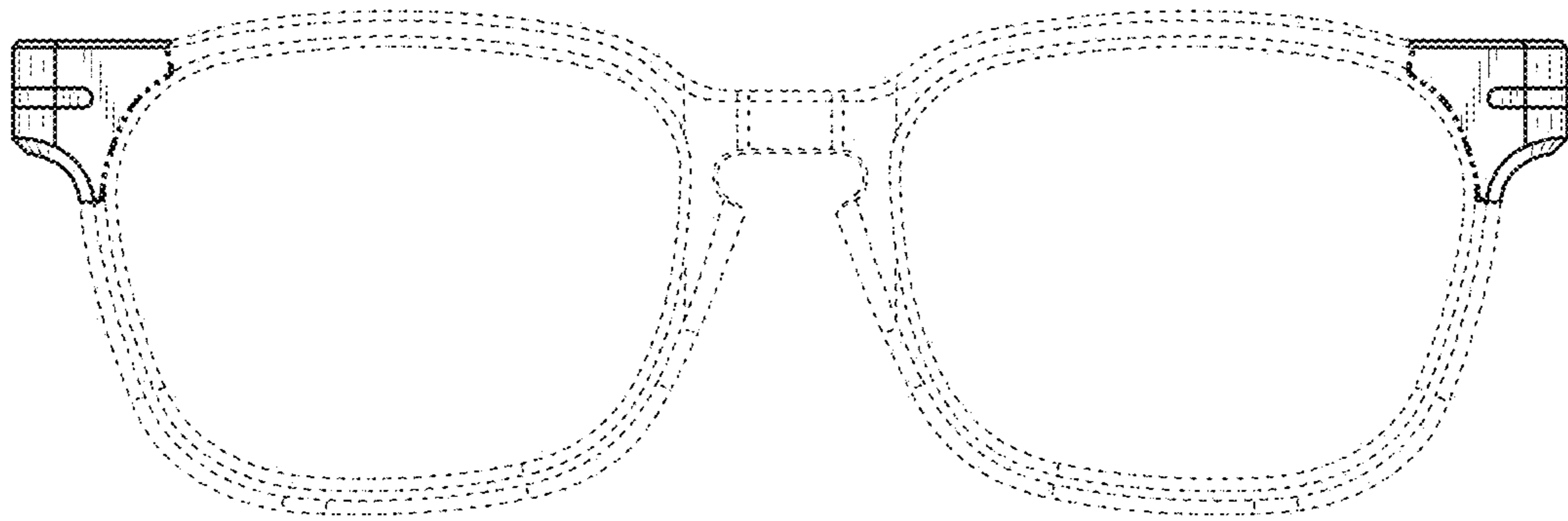
U.S. PATENT DOCUMENTS

2007/0121060 A1\* 5/2007 Habermann ..... G02C 5/2254  
 351/113  
 2007/0121062 A1\* 5/2007 Habermann ..... G02C 5/2254  
 351/153  
 2015/0309331 A1\* 10/2015 Poole ..... G02C 5/146  
 351/116  
 2017/0146817 A1\* 5/2017 Chen ..... G02C 5/22  
 2017/0276958 A1\* 9/2017 Friedfeld ..... G02C 5/008  
 2019/0353923 A1\* 11/2019 Ricart Gisbert

FOREIGN PATENT DOCUMENTS

DE 102010046260 A1\* 3/2012 ..... G02C 5/10  
 DE 102011002048 A1\* 10/2012 ..... G02C 5/2209  
 DE 202015000036 U1\* 2/2015 ..... G02C 1/08  
 DE 102013015987 B3\* 3/2015 ..... C25D 11/02  
 DE 202016003730 U1\* 6/2016 ..... G02C 5/2254  
 EP 0393808 A2\* 10/1990 ..... G02C 11/02  
 FR 2997769 A1\* 5/2014 ..... G02C 5/146  
 KR 101369311 B1\* 3/2014 ..... G02C 5/10  
 KR 101417578 B1\* 7/2014 ..... G02C 5/2209  
 WO WO-2005111697 A1\* 11/2005 ..... G02C 5/2254  
 WO WO-2008001398 A1\* 1/2008 ..... G02C 5/2245  
 WO 2013178895 \* 12/2013  
 WO WO-2017216295 A1\* 12/2017 ..... G02C 5/2209  
 WO WO-2020027876 A1\* 2/2020 ..... G02C 5/02

\* cited by examiner



**FIG. 1**

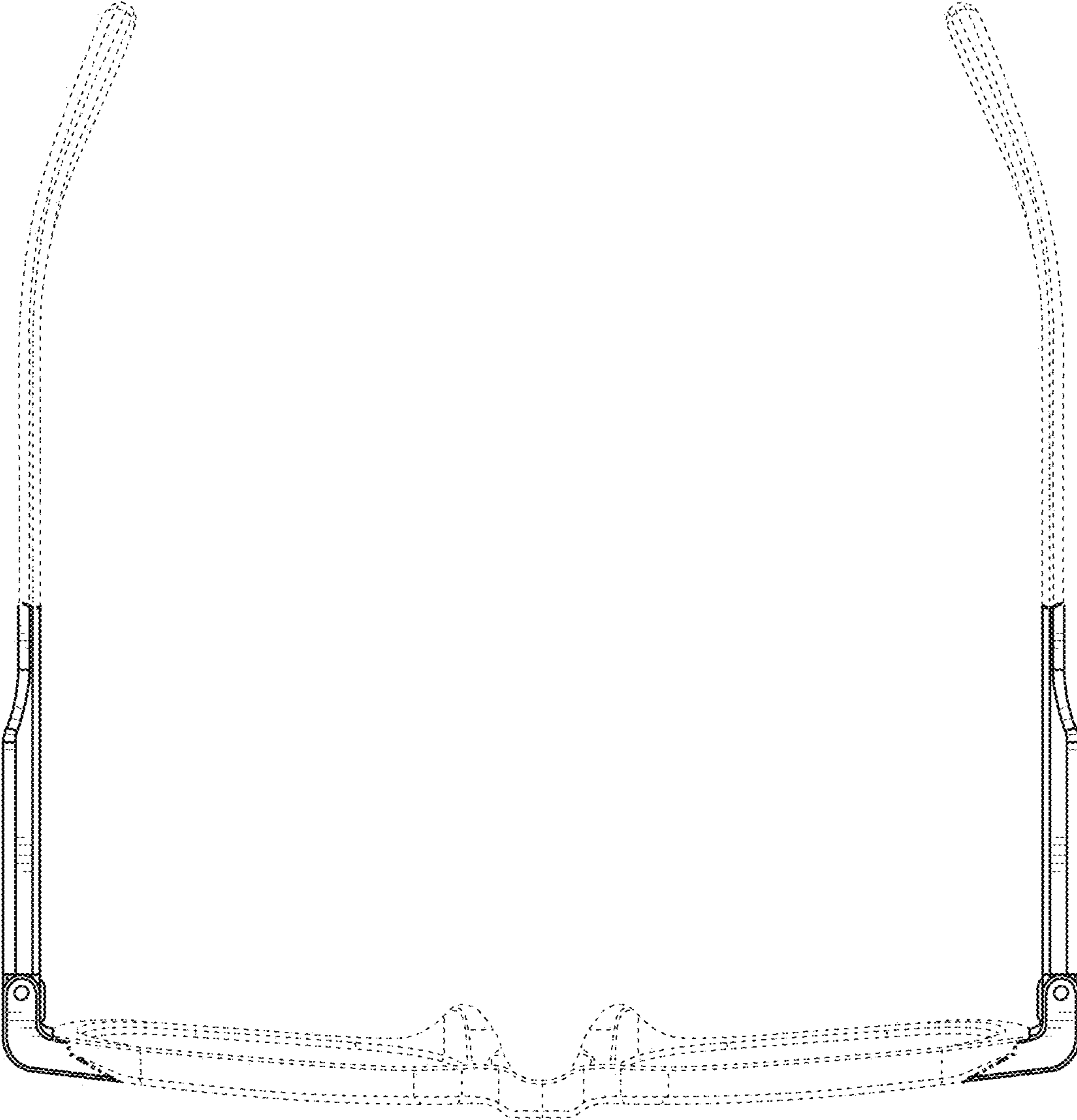
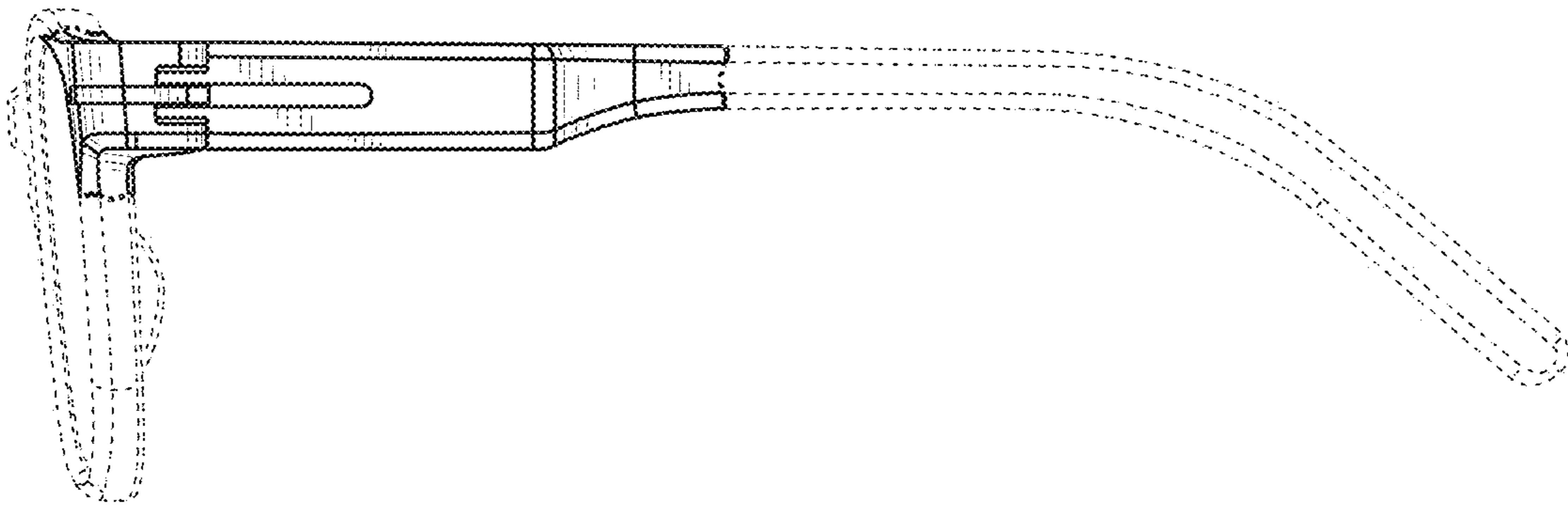
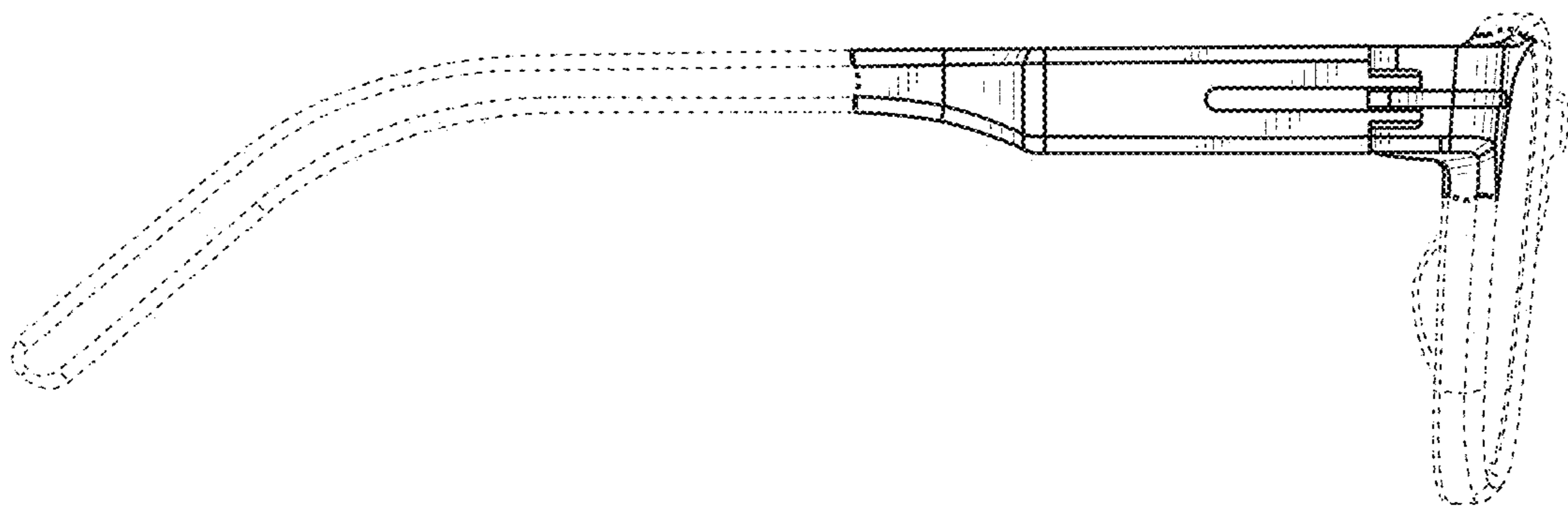


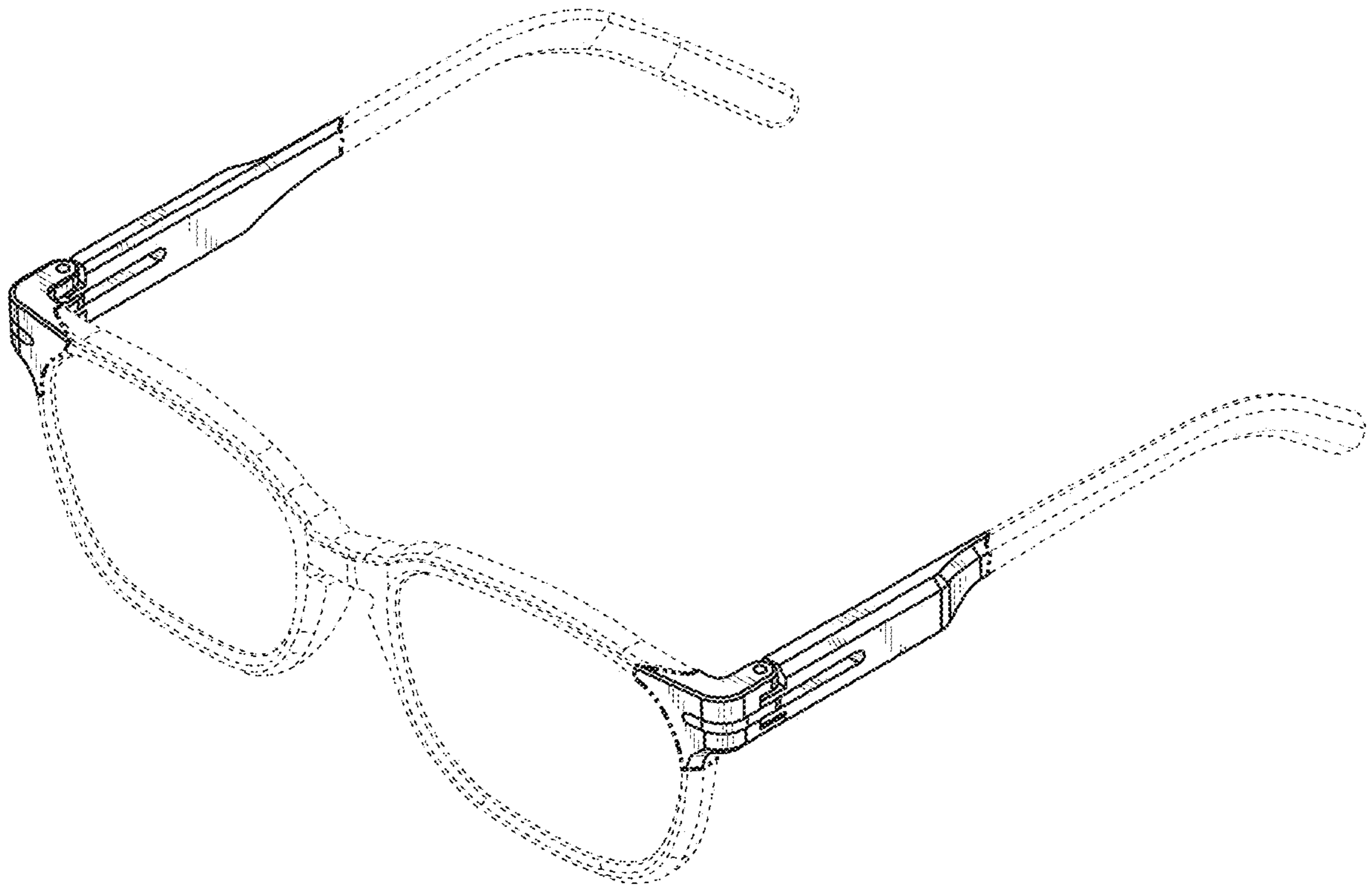
FIG. 2



**FIG. 3**



**FIG. 4**



**FIG. 5**