



US00D923692S

(12) **United States Design Patent**  
**Green et al.**

(10) **Patent No.:** **US D923,692 S**  
(45) **Date of Patent:** **\*\* Jun. 29, 2021**

- (54) **AUDIO EYEGLASSES**
- (71) Applicant: **Bose Corporation**, Framingham, MA (US)
- (72) Inventors: **Seth N. Green**, Framingham, MA (US); **Matthew Storey**, Austin, TX (US)
- (73) Assignee: **BOSE CORPORATION**, Framingham, MA (US)

D629,830	S	*	12/2010	Markovitz	.....	D16/326
D634,348	S	*	3/2011	Suzuki	.....	D16/309
D645,493	S	*	9/2011	Zhao	.....	D16/309
D646,316	S	*	10/2011	Zhao	.....	D16/309
D647,947	S	*	11/2011	Yu	.....	D16/309
D659,179	S	*	5/2012	Thixton	.....	D16/313
D662,969	S	*	7/2012	Napper	.....	D16/337
D667,483	S	*	9/2012	Krsmanovic	.....	D16/309
D669,522	S	*	10/2012	Klinar	.....	D16/300
D683,787	S	*	6/2013	Miera	.....	D16/315

(Continued)

(\*\*) Term: **15 Years**

(21) Appl. No.: **29/718,148**

(22) Filed: **Dec. 20, 2019**

(51) **LOC (13) Cl.** ..... **16-06**

(52) **U.S. Cl.**  
USPC ..... **D16/309**

(58) **Field of Classification Search**  
 USPC ..... 351/43, 44-47, 49, 59, 63, 69, 104, 123, 351/126, 131, 132, 135, 145; D16/101, D16/300-342; D29/108-110; D14/372  
 CPC ..... G02C 5/22; G02C 5/2218; G02C 5/2236; G02C 5/2245; G02C 5/2254; G02C 5/2272; G02C 5/14; G02C 5/143; G02C 5/146; G02C 5/18; G02C 5/20; G02C 5/12; G02C 5/124; G02C 5/126; G02C 11/02; G02C 11/06; G02C 7/10; G02C 9/04; A61F 9/00

See application file for complete search history.

(56) **References Cited**

**U.S. PATENT DOCUMENTS**

D315,163	S	*	3/1991	Hirschman	.....	D16/313
D359,977	S	*	7/1995	Taber	.....	D16/315
5,452,026	A	*	9/1995	Marcy, III	.....	A61H 5/00 349/13
D493,813	S	*	8/2004	Simmons, Sr.	.....	D16/337
D556,246	S	*	11/2007	Yee	.....	D16/326
D557,730	S	*	12/2007	Mage	.....	D16/326
D564,569	S	*	3/2008	Mage	.....	D16/325

**FOREIGN PATENT DOCUMENTS**

CN	306156043	*	11/2020
CN	306231320	*	12/2020

(Continued)

**OTHER PUBLICATIONS**

Bose: Frames Alto, oldest pictured review Feb. 2020, [online], [site visited Feb. 13, 2021]. Available from Internet, <URL: <https://www.bestbuy.com/site/bose-frames-alto-large-classic-angular-bluetooth-audio-sunglasses-black/6332176.p?skuId=6332176> (Year: 2021).\*

(Continued)

*Primary Examiner* — Sanjeev Paul

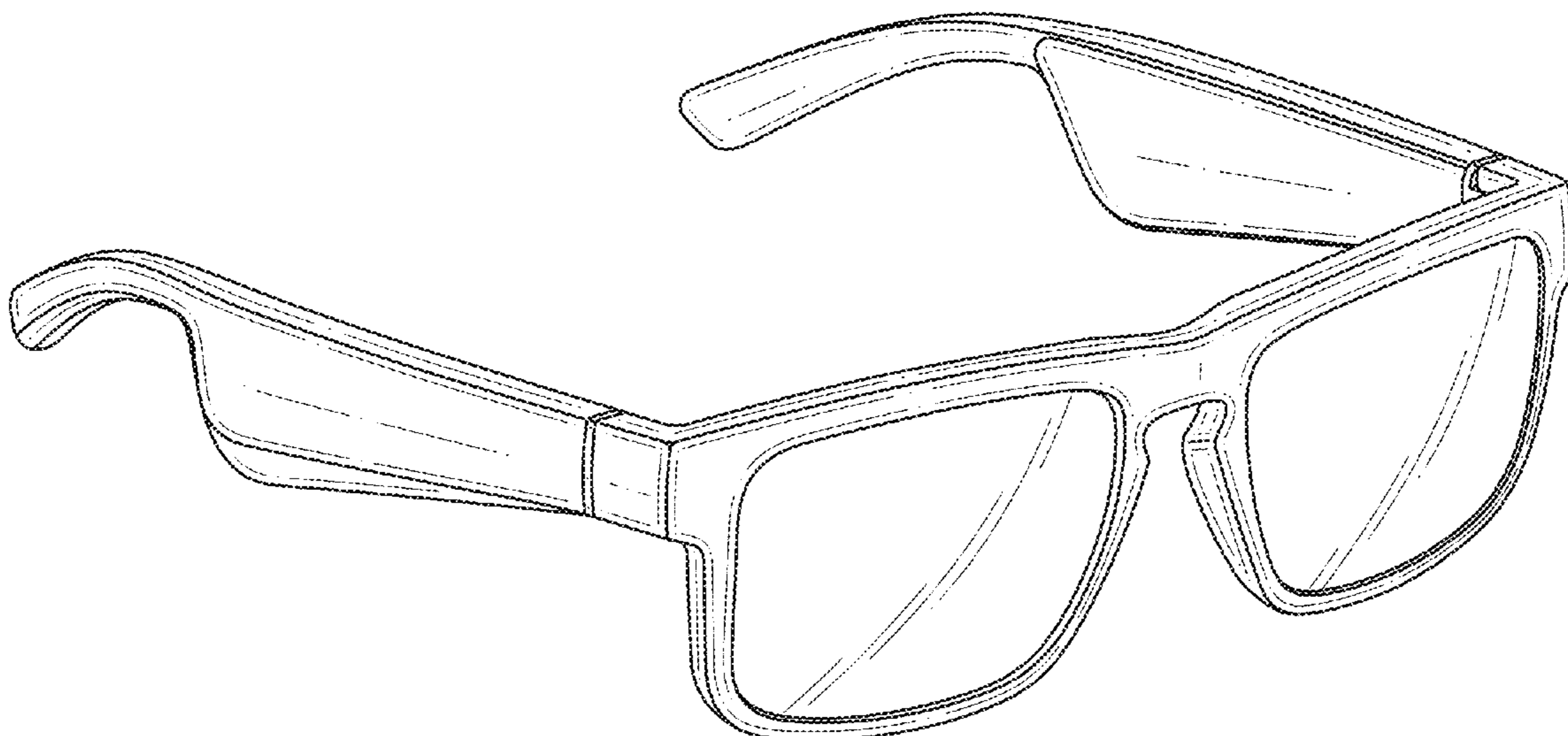
(57) **CLAIM**

The ornamental design for audio eyeglasses, as shown and described.

**DESCRIPTION**

FIG. 1 is a perspective view of a audio eyeglasses as seen from the front, top, and right side;  
 FIG. 2 is a front view thereof;  
 FIG. 3 is a left side view thereof;  
 FIG. 4 is a back view thereof;  
 FIG. 5 is a right side view thereof;  
 FIG. 6 is a top view thereof; and,  
 FIG. 7 is a bottom view thereof.

**1 Claim, 5 Drawing Sheets**



(56)

References Cited

U.S. PATENT DOCUMENTS

D685,019 S \* 6/2013 Li ..... D16/309  
 D718,370 S \* 11/2014 Votel ..... D16/315  
 D723,610 S \* 3/2015 Chen ..... D16/300  
 D724,647 S \* 3/2015 Rohrbach ..... D16/309  
 D765,761 S \* 9/2016 Votel ..... D16/326  
 D778,978 S \* 2/2017 Renon ..... D16/326  
 D780,829 S \* 3/2017 Bonaventura ..... D16/326  
 D780,830 S \* 3/2017 Bonaventura ..... D16/326  
 D783,705 S \* 4/2017 Michaud ..... D16/326  
 D783,707 S \* 4/2017 Uhm ..... D16/335  
 D792,400 S \* 7/2017 Osterhout ..... D14/372  
 9,726,900 B1 \* 8/2017 Holzer ..... G02C 5/20  
 D810,182 S \* 2/2018 Porter ..... D16/309  
 D845,380 S \* 4/2019 Sheldon ..... D16/315  
 D845,381 S \* 4/2019 Chalko ..... D16/328  
 D846,626 S \* 4/2019 Ekbladh ..... D16/314  
 D846,629 S \* 4/2019 Sanchez ..... D16/326  
 D849,822 S \* 5/2019 Marron ..... D16/309  
 D864,283 S \* 10/2019 Williams ..... D16/300  
 D865,040 S \* 10/2019 Schaal ..... D16/309  
 D865,041 S \* 10/2019 Schaal ..... D16/309  
 D872,793 S \* 1/2020 Gorny ..... D16/326  
 D875,817 S \* 2/2020 Schaal ..... D16/309  
 D877,237 S \* 3/2020 Bhatia ..... D16/335  
 D898,739 S \* 10/2020 Kossev ..... D14/372  
 D900,092 S \* 10/2020 Villalpando ..... D14/372  
 D900,097 S \* 10/2020 Wang ..... D14/372  
 D900,205 S \* 10/2020 Cohen ..... D16/309  
 D900,206 S \* 10/2020 Cohen ..... D16/309  
 10,820,086 B2 \* 10/2020 Lee ..... G06F 1/3203  
 D900,920 S \* 11/2020 Cohen ..... D16/309  
 2010/0220281 A1 \* 9/2010 Hones ..... G02C 7/021  
 351/44  
 2012/0224260 A1 \* 9/2012 Healy ..... G02C 7/16  
 359/464

2013/0003012 A1 \* 1/2013 Tsai ..... G02C 5/2209  
 351/116  
 2016/0252750 A1 \* 9/2016 Schomann ..... G02C 11/00  
 351/121  
 2019/0052954 A1 \* 2/2019 Rusconi Clerici Beltrami .....  
 H04R 5/02  
 2019/0086689 A1 \* 3/2019 Lin ..... G02C 5/22  
 2019/0198981 A1 \* 6/2019 Moore ..... G02C 5/22  
 2019/0198983 A1 \* 6/2019 Moore ..... G02B 27/0176  
 2019/0204617 A1 \* 7/2019 Yang ..... H02J 7/00  
 2020/0257135 A1 \* 8/2020 Ringle ..... G02C 5/22

FOREIGN PATENT DOCUMENTS

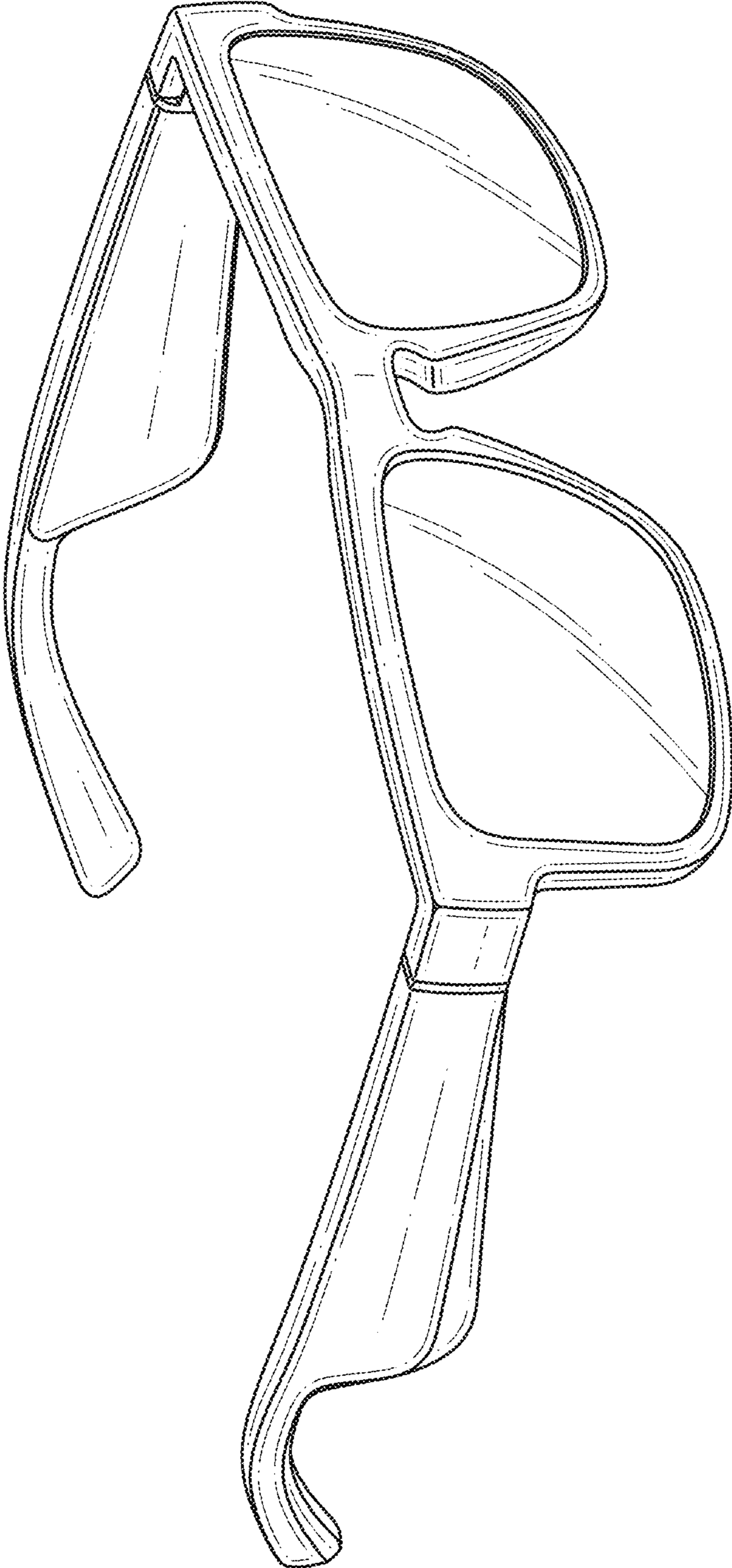
CN 306231321 \* 12/2020  
 CN 306262337 \* 1/2021  
 JP D1678687 \* 2/2021  
 JP D1678688 \* 2/2021

OTHER PUBLICATIONS

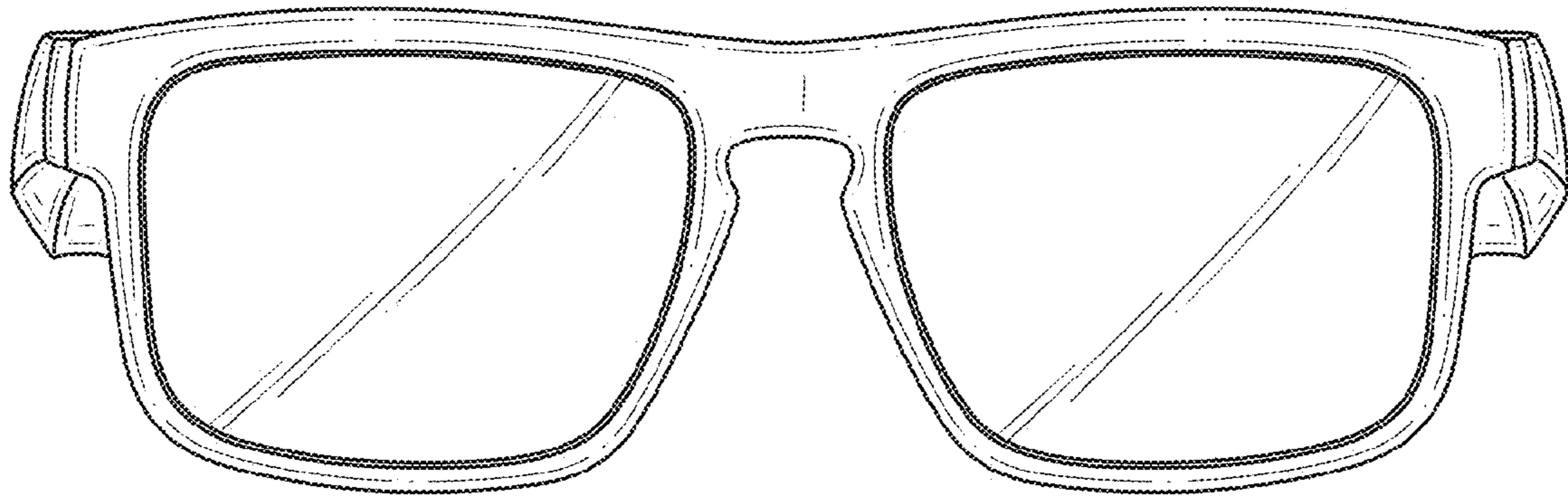
Google search: "audio eyeglasses" [site visited Feb. 13, 2021]:[https://www.google.com/search?q=audio+eyeglasses&sxsrf=ALeKk02DXJRtq\\_HjaijQXrdk5XLd6G6\\_ow:1613199465124&source=lnms&tbm=isch&sa=X&ved=2ahUKEwiy4MeopObuAhWPQc0KHduBDqoQ\\_AUoAnoECB0QBA&biw=1200&bih=1777](https://www.google.com/search?q=audio+eyeglasses&sxsrf=ALeKk02DXJRtq_HjaijQXrdk5XLd6G6_ow:1613199465124&source=lnms&tbm=isch&sa=X&ved=2ahUKEwiy4MeopObuAhWPQc0KHduBDqoQ_AUoAnoECB0QBA&biw=1200&bih=1777) (Year: 2021).\*

Google search: "audio eyewear" [site visited Feb. 13, 2021]:  
[https://www.google.com/search?q=audio+eyewear&sxsrf=ALeKk01lzFBxYZENcDbCQiyKXPBKanwapw:1613253612556&source=lnms&tbm=isch&sa=X&ved=2ahUKEwigwliE7ufuAhW1GVkFHYxOCIAQ\\_AUoAnoECB0QBA&biw=1200&bih=1777](https://www.google.com/search?q=audio+eyewear&sxsrf=ALeKk01lzFBxYZENcDbCQiyKXPBKanwapw:1613253612556&source=lnms&tbm=isch&sa=X&ved=2ahUKEwigwliE7ufuAhW1GVkFHYxOCIAQ_AUoAnoECB0QBA&biw=1200&bih=1777) (Year: 2021).\*

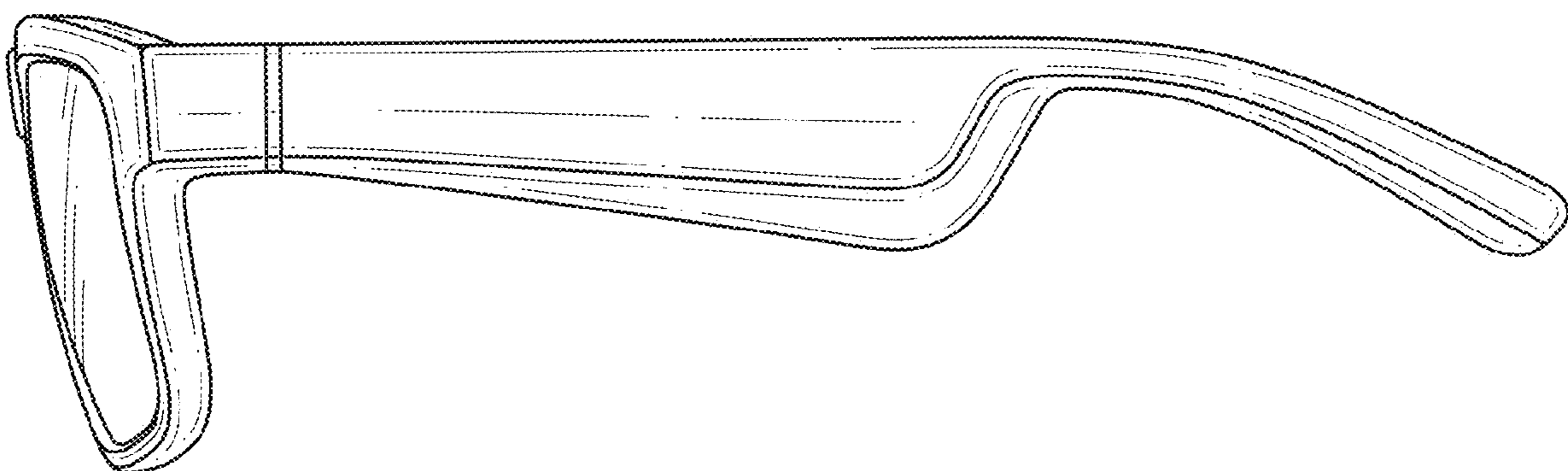
\* cited by examiner



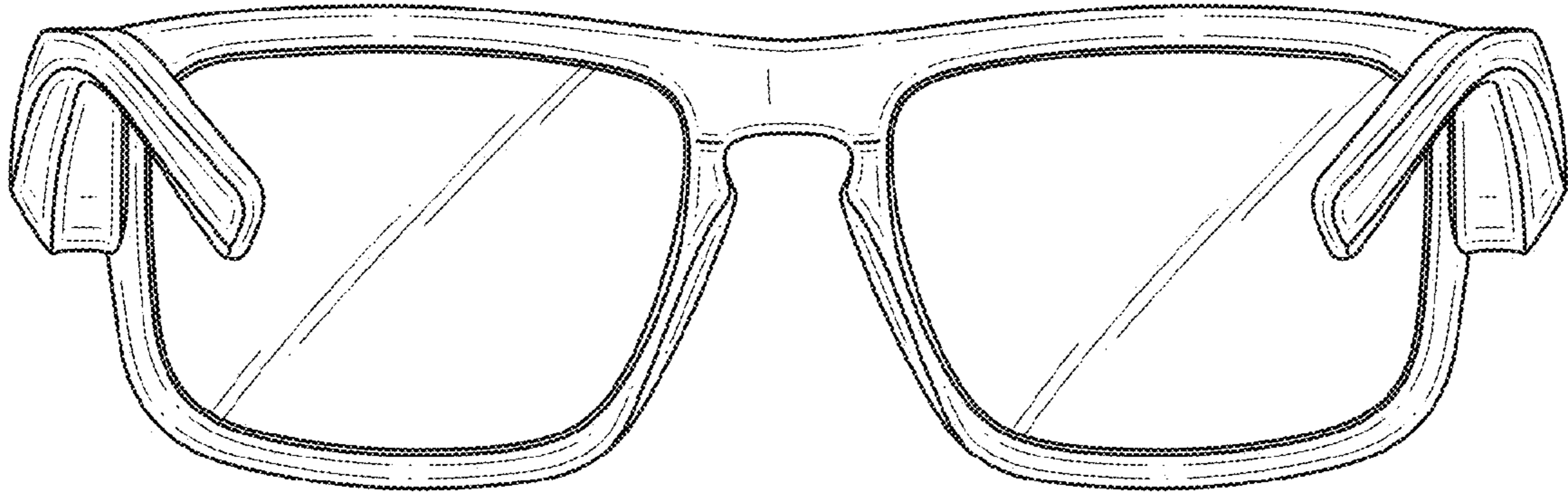
**FIG. 1**



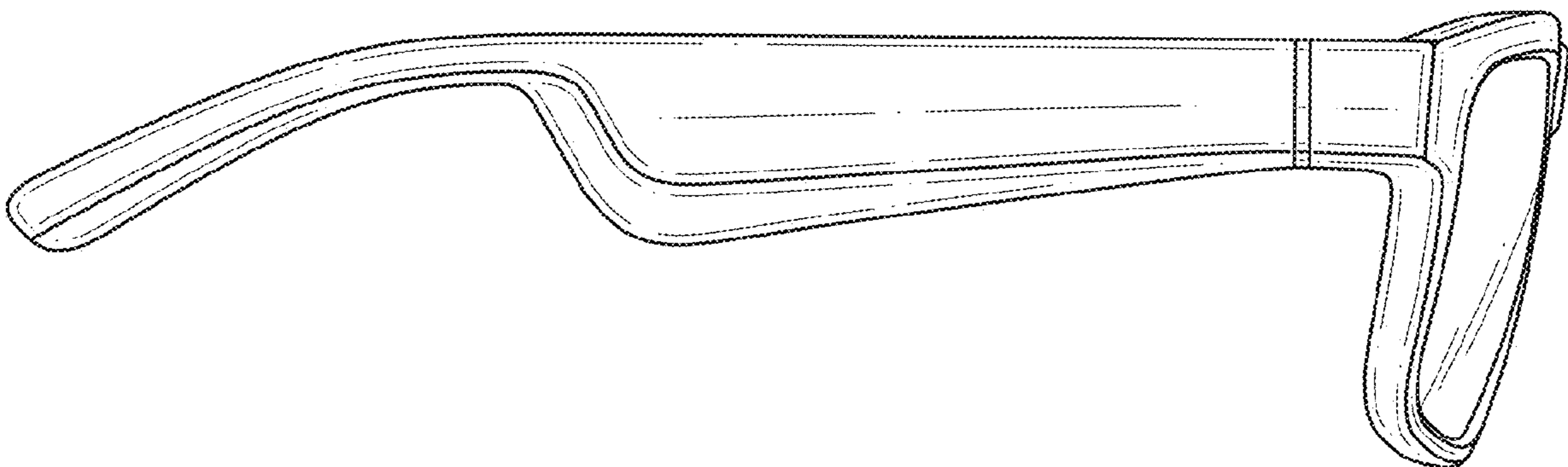
**FIG. 2**



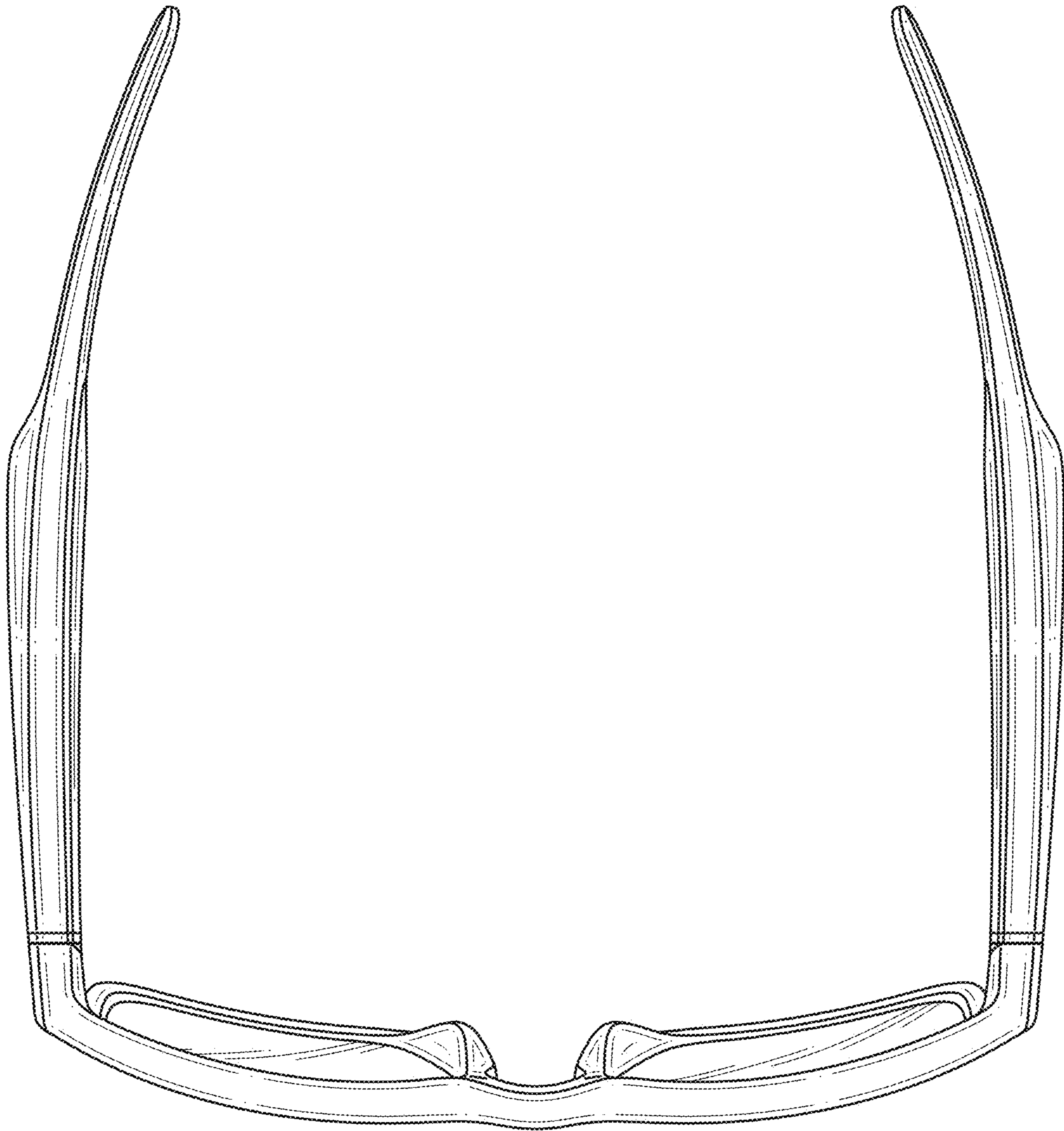
**FIG. 3**



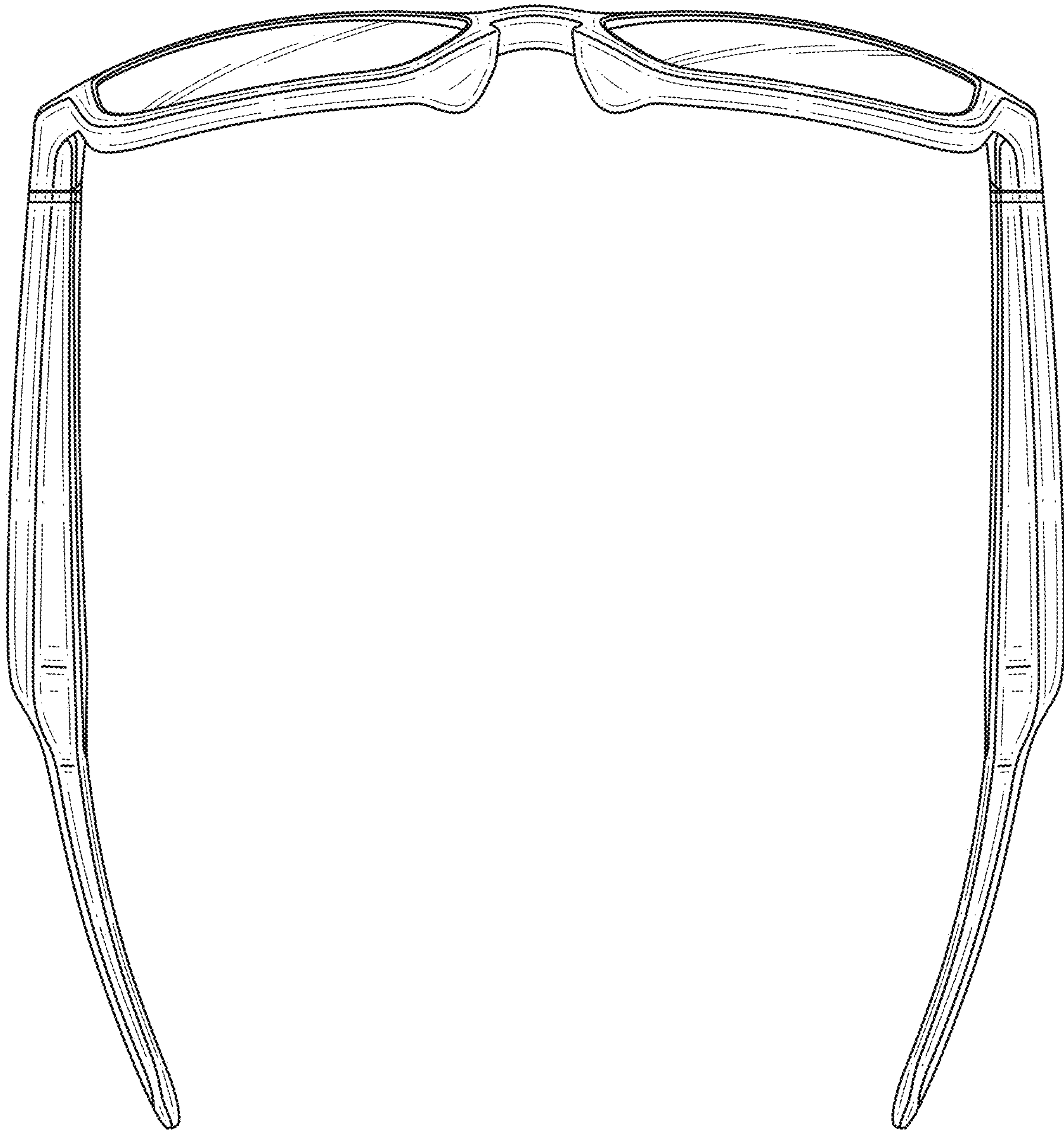
**FIG. 4**



**FIG. 5**



**FIG. 6**



**FIG. 7**