



US00D923688S

(12) **United States Design Patent** (10) **Patent No.:** **US D923,688 S**  
**Gustafsson** (45) **Date of Patent:** **\*\* Jun. 29, 2021**

(54) **CAMERA MOUNT FOR HARNESS**

(71) Applicant: **USWE Sports AB**, Malmö (SE)

(72) Inventor: **Jörgen Gustav Gustafsson**, Staffanstorp (SE)

(73) Assignee: **USWE SPORTS AB**, Malmo (SE)

(\*\*) Term: **15 Years**

(21) Appl. No.: **29/726,018**

(22) Filed: **Feb. 28, 2020**

(30) **Foreign Application Priority Data**

Sep. 2, 2019 (SE) ..... 2019/0213

(51) **LOC (13) Cl.** ..... **16-05**

(52) **U.S. Cl.**  
USPC ..... **D16/242**

(58) **Field of Classification Search**  
USPC ..... D16/219, 237-250; D3/222; D6/513;  
D8/303, 307, 354, 355, 363, 373,  
D8/382-383, 394-396; D14/224, 229,  
D14/238, 251, 253, 447, 451, 457  
CPC ..... A45F 5/00; A45F 5/10; F16M 11/06-10;  
F16M 11/14; G02B 7/00-002; G03B  
17/56; G03B 17/561-566; H04N  
5/2253-2254

See application file for complete search history.

(56) **References Cited**

**U.S. PATENT DOCUMENTS**

7,980,771 B2\* 7/2011 Chamberlayne ..... F16M 11/105  
396/423  
D768,755 S \* 10/2016 Thomas ..... D16/242  
D768,757 S \* 10/2016 Thomas ..... D16/243  
D772,969 S \* 11/2016 Druker ..... D16/242  
D780,438 S \* 3/2017 Marques ..... D3/222  
D800,823 S \* 10/2017 Druker ..... D16/242  
D806,382 S \* 1/2018 Beard ..... D3/222

D806,779 S \* 1/2018 Martin ..... D16/243  
D851,162 S \* 6/2019 Bergman ..... D16/242  
D880,850 S \* 4/2020 Romani ..... D3/222  
2009/0314813 A1\* 12/2009 Woolery ..... A45F 5/021  
224/183  
2010/0181353 A1\* 7/2010 Craighead ..... F41C 33/0236  
224/193  
2010/0276464 A1\* 11/2010 Hirt ..... F41C 33/0245  
224/243

(Continued)

**OTHER PUBLICATIONS**

Award Winner—The USWE Action Camera Harness, [online] Retrieved Mar. 23, 2021 from URL: <https://www.uswe-sports.com/stories/post/award-winner-the-uswe-action-camera-harness>.\*

(Continued)

*Primary Examiner* — Vy N Koenig

(74) *Attorney, Agent, or Firm* — Knobbe, Martens, Olson & Bear, LLP

(57) **CLAIM**

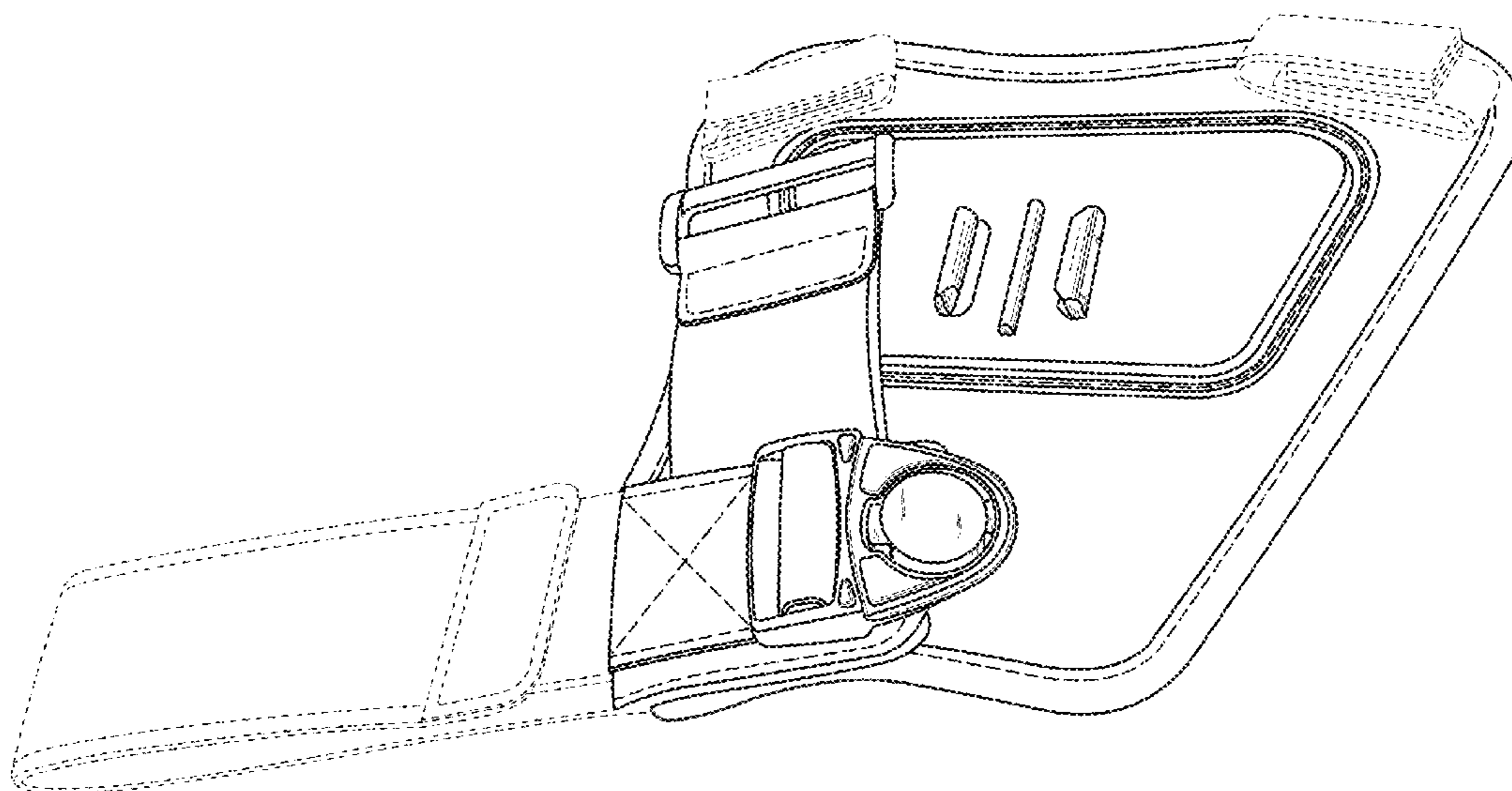
The ornamental design for a camera mount for harness, as shown and described.

**DESCRIPTION**

FIG. 1 is a perspective view of a camera mount for harness, showing my new design;  
FIG. 2 is a front elevational view thereof;  
FIG. 3 is a rear elevational view thereof;  
FIG. 4 is a right side elevational view thereof;  
FIG. 5 is a left side elevational view thereof;  
FIG. 6 is a top plan view thereof; and,  
FIG. 7 is a bottom plan view thereof.

The longer, more heavyweight broken lines in the figures depict stitching that is a part of the claimed design. The lightweight, shorter broken lines in the figures depict features of the environment that form no part of the claimed design.

**1 Claim, 5 Drawing Sheets**



(56)

**References Cited**

U.S. PATENT DOCUMENTS

2014/0140686 A1\* 5/2014 Weihe ..... G03B 17/561  
396/428  
2015/0323858 A1\* 11/2015 Stephens ..... F16M 11/2014  
396/423  
2017/0115095 A1\* 4/2017 Moultrie ..... F41C 33/048

OTHER PUBLICATIONS

Tebro Gopro Chest Mount Harness, Chest Mount Harness, TELESIN Adjustable Body Chest Strap Mount Harness Belt for Gopro Hero 5/4/3+/3 Sport Camera. [online] Retrieved Mar. 23, 2021 from URL: [https://www.walmart.com/ip/Tebro-Gopro-Chest-Mount-Harness-Chest-Mount-Harness-TELESIN-Adjustable-Body-Chest-Strap-Mount-Harness-Bel.\\*](https://www.walmart.com/ip/Tebro-Gopro-Chest-Mount-Harness-Chest-Mount-Harness-TELESIN-Adjustable-Body-Chest-Strap-Mount-Harness-Bel.*)

\* cited by examiner

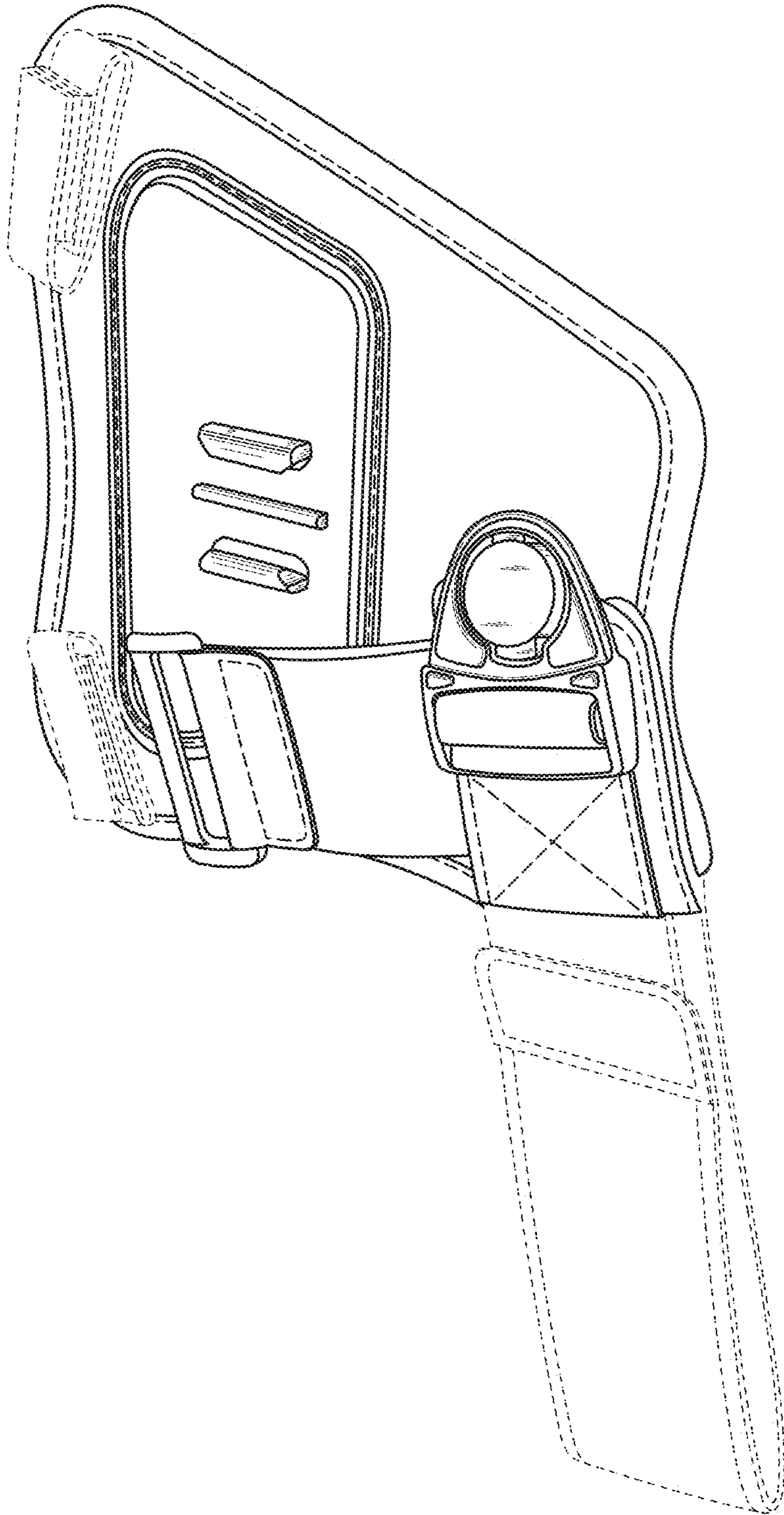


FIG. 1

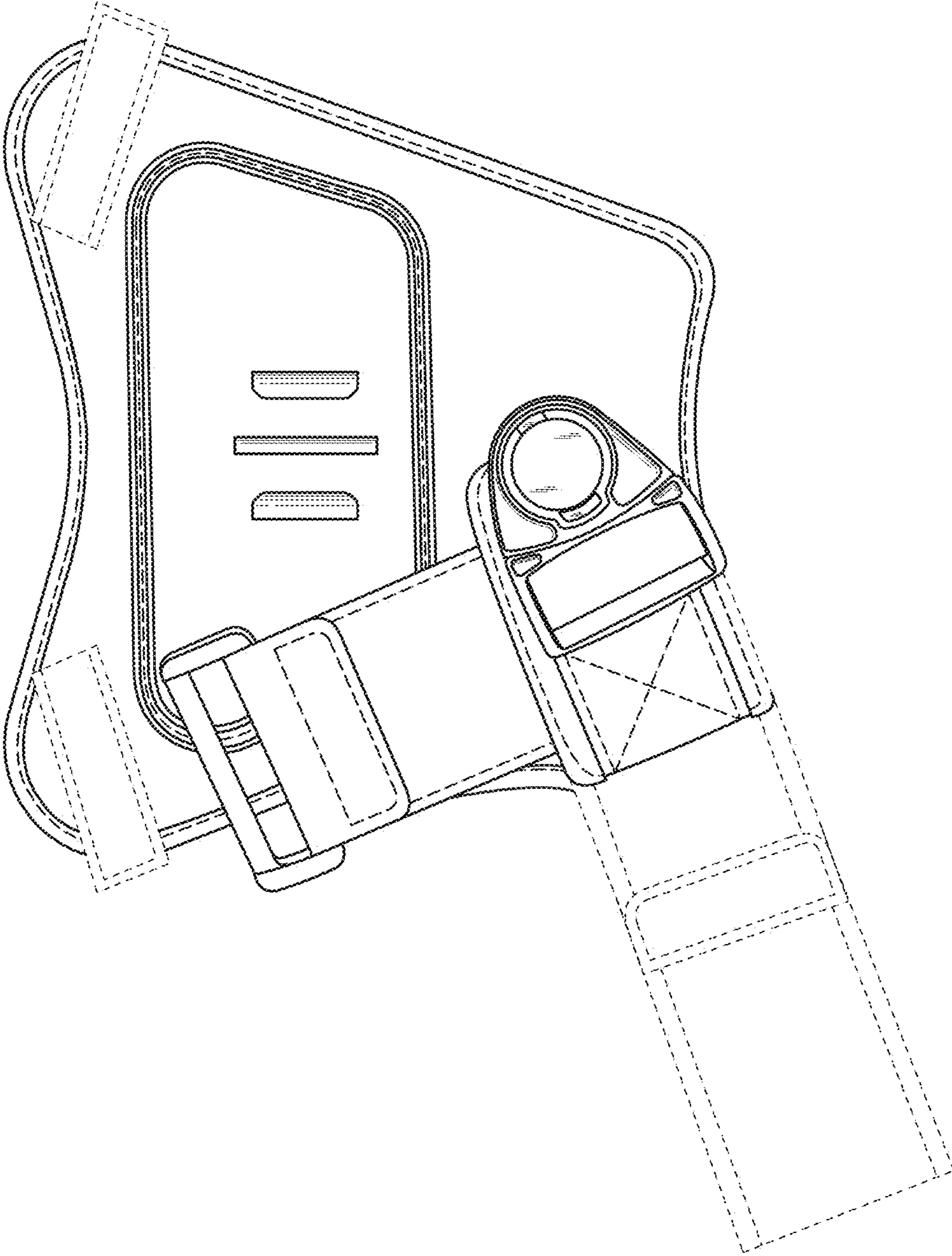


FIG. 2

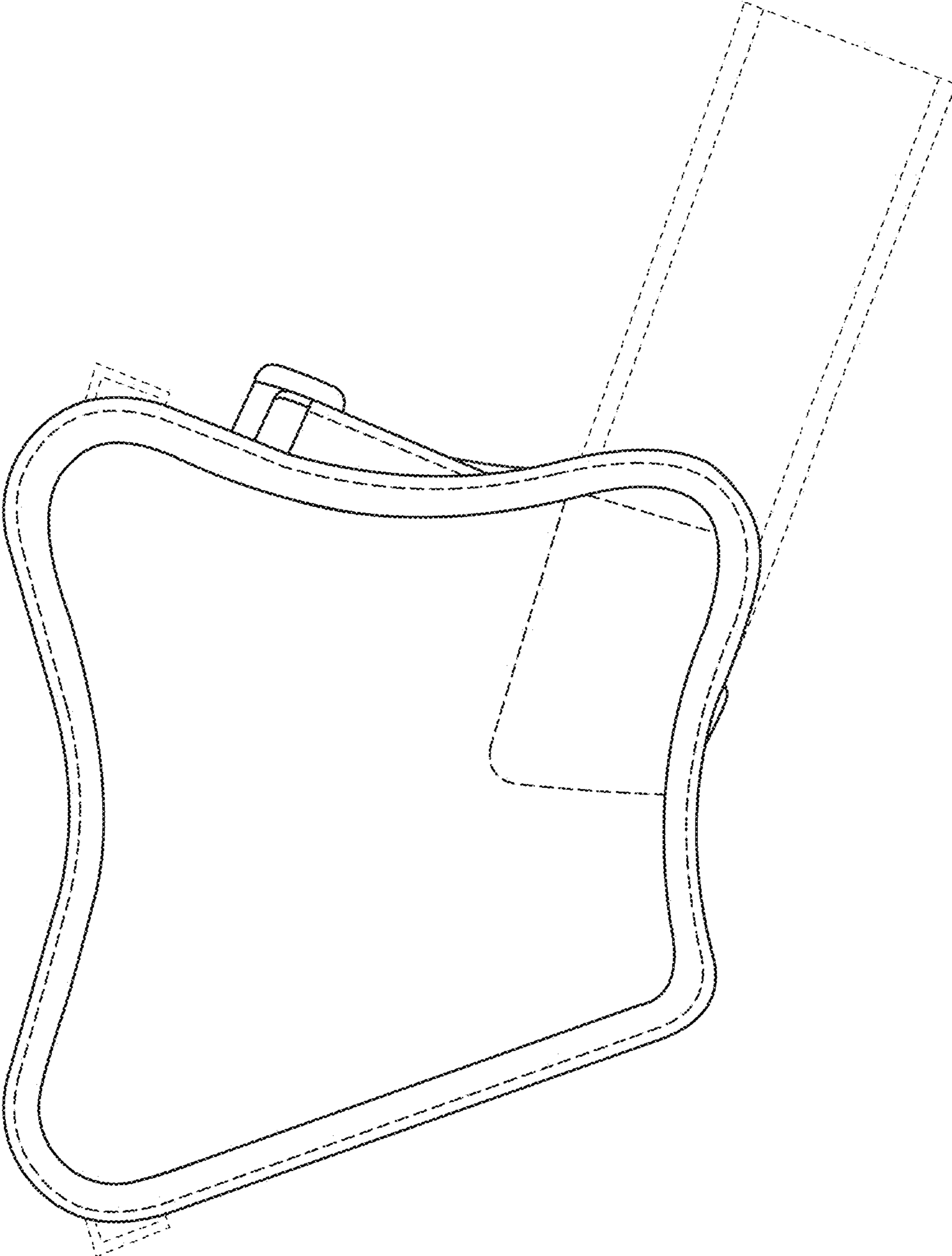


FIG. 3

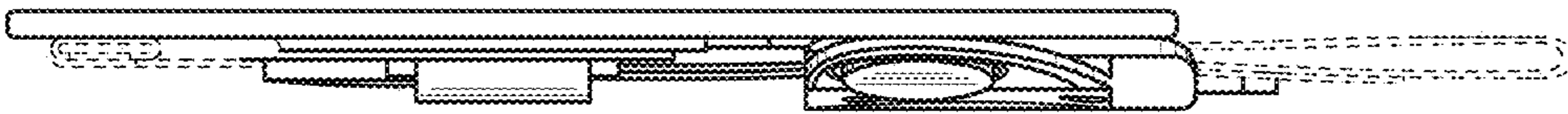


FIG. 4



FIG. 5



FIG. 6

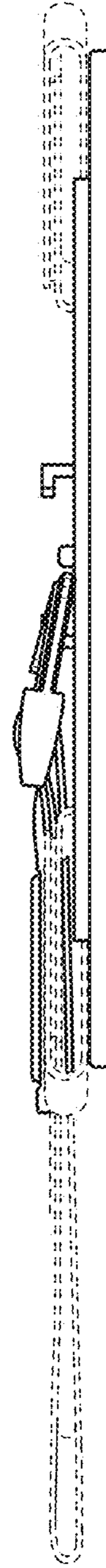


FIG. 7