



US00D923687S

(12) **United States Design Patent**  
**Grant et al.**

(10) **Patent No.:** **US D923,687 S**

(45) **Date of Patent:** **\*\* \*Jun. 29, 2021**

(54) **CAMERA MOUNT**

(71) Applicant: **Portable Multimedia Ltd**, West End (GB)

(72) Inventors: **Robert Grant**, West End (GB);  
**Graham Lambert**, West End (GB);  
**Ceri Hill**, West End (GB)

(73) Assignee: **Portable Multimedia Ltd**, West End (GB)

(\*) Notice: This patent is subject to a terminal disclaimer.

(\*\*) Term: **15 Years**

(21) Appl. No.: **29/694,115**

(22) Filed: **Jun. 7, 2019**

(30) **Foreign Application Priority Data**

Dec. 7, 2018 (GB) ..... 6049654

(51) **LOC (13) Cl.** ..... **16-05**

(52) **U.S. Cl.**  
USPC ..... **D16/242**

(58) **Field of Classification Search**  
USPC ..... D16/219, 237-250; D8/354, 355, 363,  
D8/373, 382-383, 394-396; D14/224,  
D14/229, 238, 251, 253, 447, 451, 457  
CPC ..... F16M 11/06-10; F16M 11/14; G02B  
7/00-002; G03B 17/56; G03B  
17/561-566; H04N 5/2253-2254  
See application file for complete search history.

(56) **References Cited**

**U.S. PATENT DOCUMENTS**

D507,007 S \* 7/2005 Sitoh ..... D16/202  
D651,633 S \* 1/2012 Park ..... D16/203  
D697,119 S \* 1/2014 Park ..... D16/203  
D718,612 S \* 12/2014 McSweyn ..... D8/363

D733,781 S \* 7/2015 Chen ..... D16/202  
D774,231 S \* 12/2016 Recker ..... D26/63  
D778,713 S \* 2/2017 McSweyn ..... D8/363  
D778,884 S \* 2/2017 Taptic ..... D14/238  
D806,154 S \* 12/2017 Shi ..... D16/202  
D821,365 S \* 6/2018 Gheysens ..... D14/224  
D825,548 S \* 8/2018 Lebovitz ..... D14/253  
D845,309 S \* 4/2019 Goldstein ..... D14/447

(Continued)

**OTHER PUBLICATIONS**

Dual Dash Cam, VAVA 2K. [online] Retrieved Sep. 9, 2020 from URL: <https://www.amazon.com/VAVA-Infrared-Control-Display-Parking/dp/B085Y61W5V/>.\*

(Continued)

*Primary Examiner* — Vy N Koenig

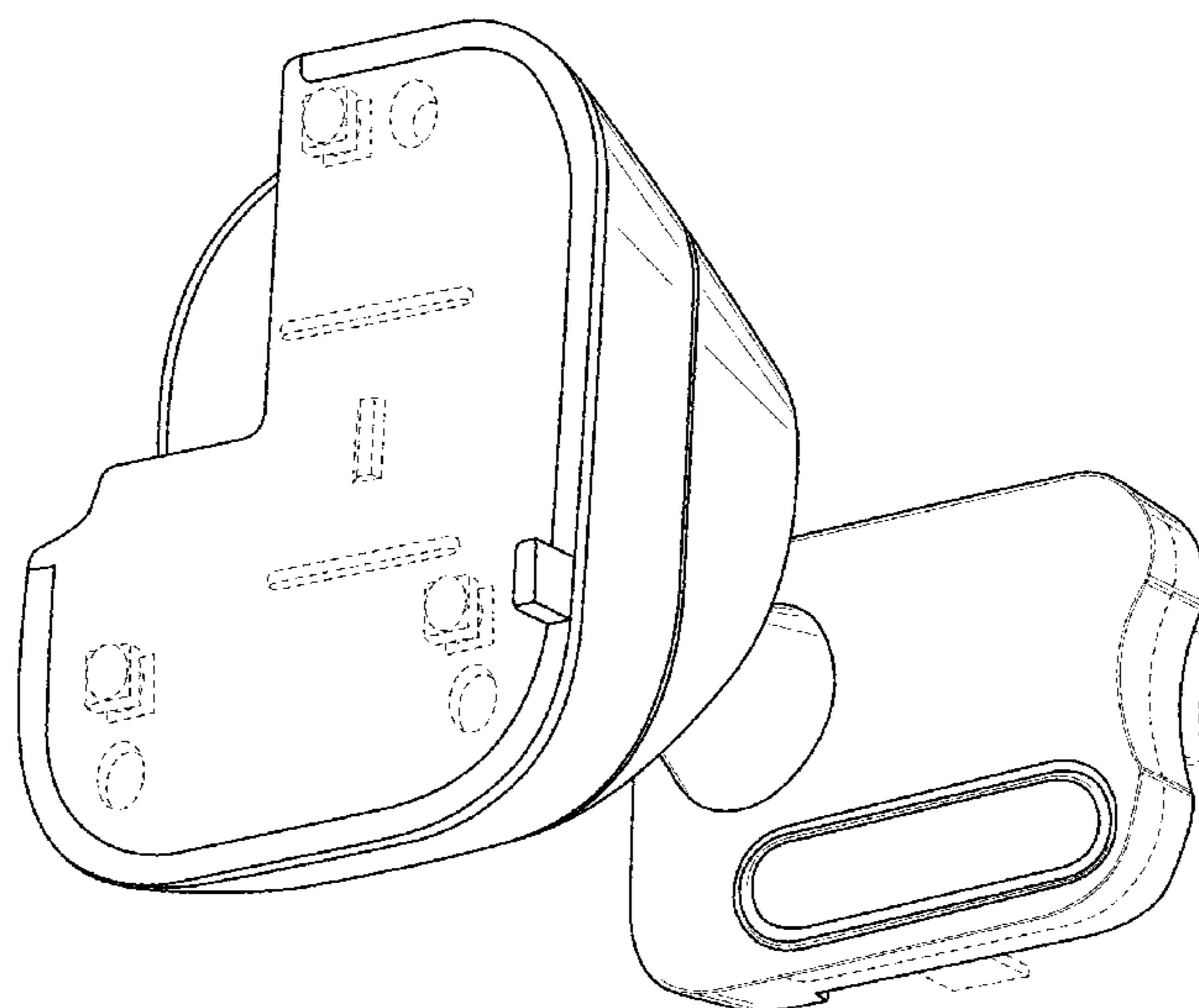
(57) **CLAIM**

The ornamental design for a camera mount, as shown and described.

**DESCRIPTION**

FIG. 1 is a right-side view of a camera mount, showing our new design;  
FIG. 2 is a front view of the camera mount illustrated in FIG. 1;  
FIG. 3 is a left-side view of the camera mount illustrated in FIG. 1;  
FIG. 4 is a rear view of the camera mount illustrated in FIG. 1;  
FIG. 5 is a bottom view of the camera mount illustrated in FIG. 1;  
FIG. 6 is a top view of the camera mount illustrated in FIG. 1; and,  
FIG. 7 is a perspective view of the camera mount illustrated in FIG. 1.  
The broken lines depict portions of the camera mount in which the design is embodied that form no part of the claimed design.

**1 Claim, 7 Drawing Sheets**



(56)

**References Cited**

U.S. PATENT DOCUMENTS

10,401,710 B2 \* 9/2019 Wilson ..... F16M 11/14  
D866,637 S \* 11/2019 Xie ..... D16/203  
D872,688 S \* 1/2020 Nazar ..... D13/108  
D881,896 S \* 4/2020 Burns ..... D14/447  
10,697,583 B2 \* 6/2020 Law ..... F16M 11/16  
2014/0198208 A1 \* 7/2014 Neufeld ..... H04N 5/2251  
348/143  
2016/0138754 A1 \* 5/2016 Li ..... B60R 11/00  
248/206.5

OTHER PUBLICATIONS

Camius SPOT828A 4K 8MP Spotlight. [online] Retrieved Sep. 18, 2020 from URL: <https://www.amazon.com/Camius-Spotlight-Outdoor-Security-Degrees/dp/B07YXCXKVK/>.\*

U.S. Appl. No. 29/694,104; First inventor: Robert Grant; filed Jun. 7, 2019.

U.S. Appl. No. 29/694,108; First inventor: Robert Grant; filed Jun. 7, 2019.

U.S. Appl. No. 29/694,109; First inventor: Robert Grant; filed Jun. 7, 2019.

U.S. Appl. No. 29/694,119; First inventor: Robert Grant; filed Jun. 7, 2019.

U.S. Appl. No. 29/694,123; First inventor: Robert Grant; filed Jun. 7, 2019.

\* cited by examiner

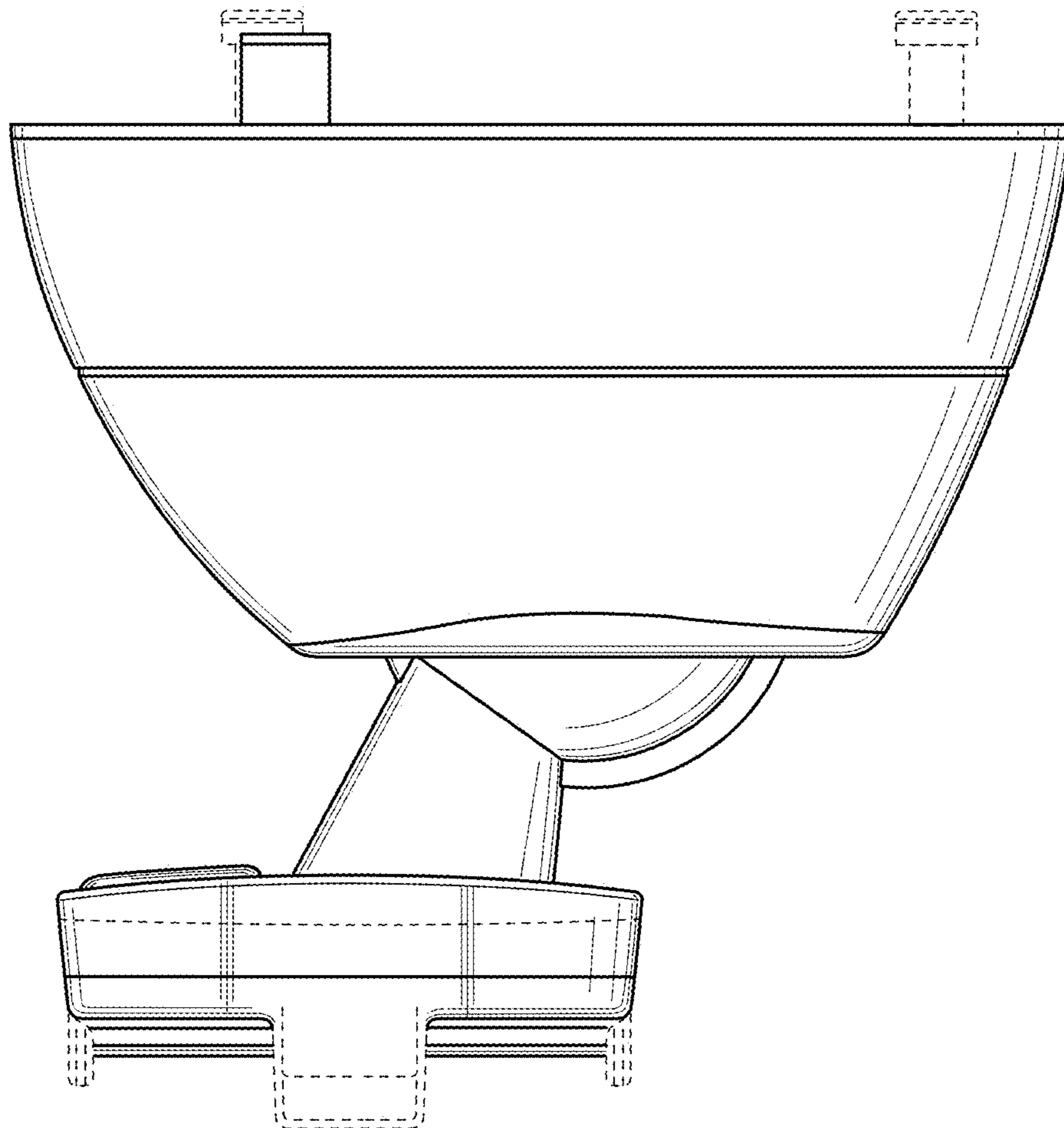


FIG. 1

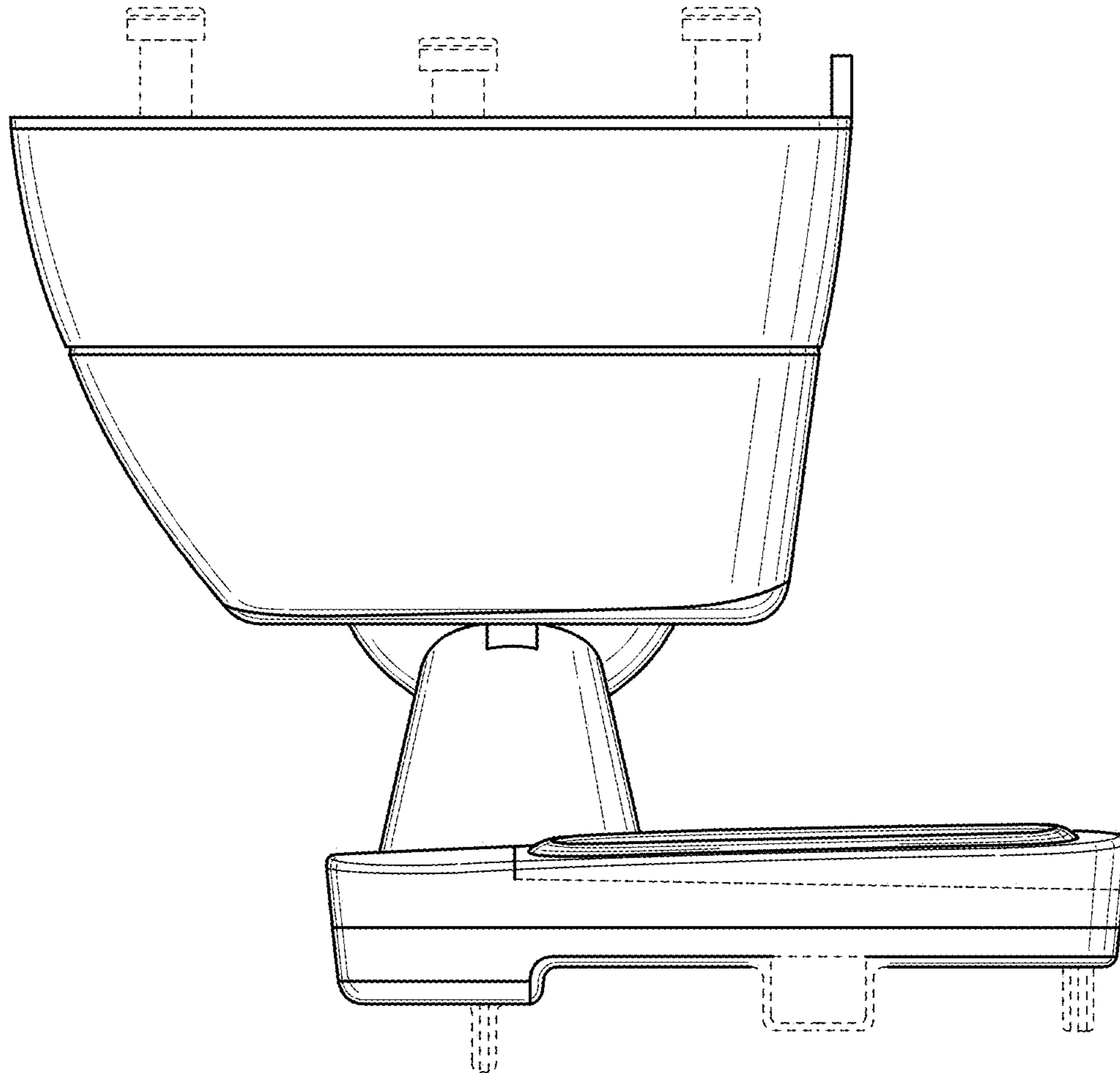


FIG. 2

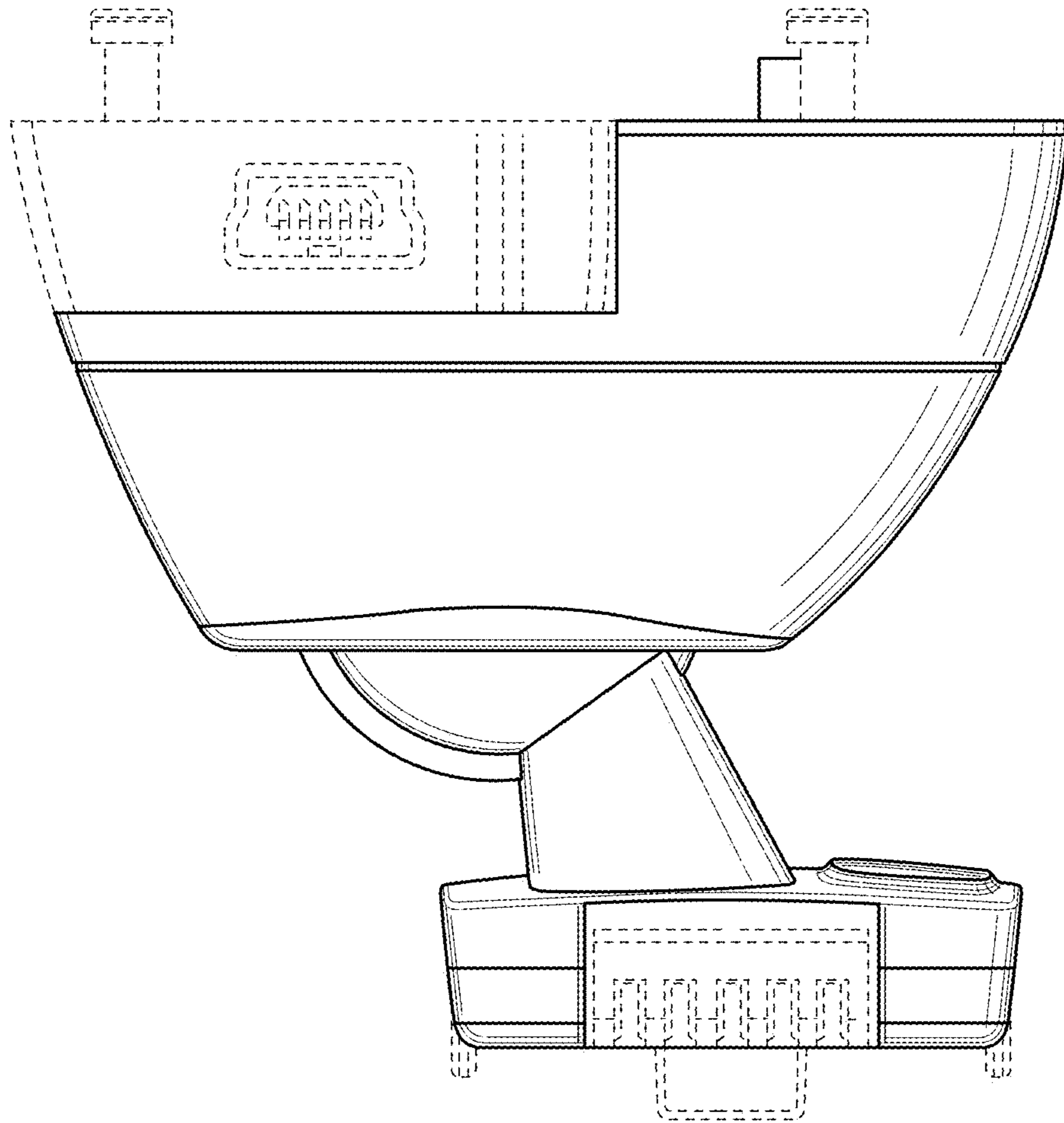


FIG. 3

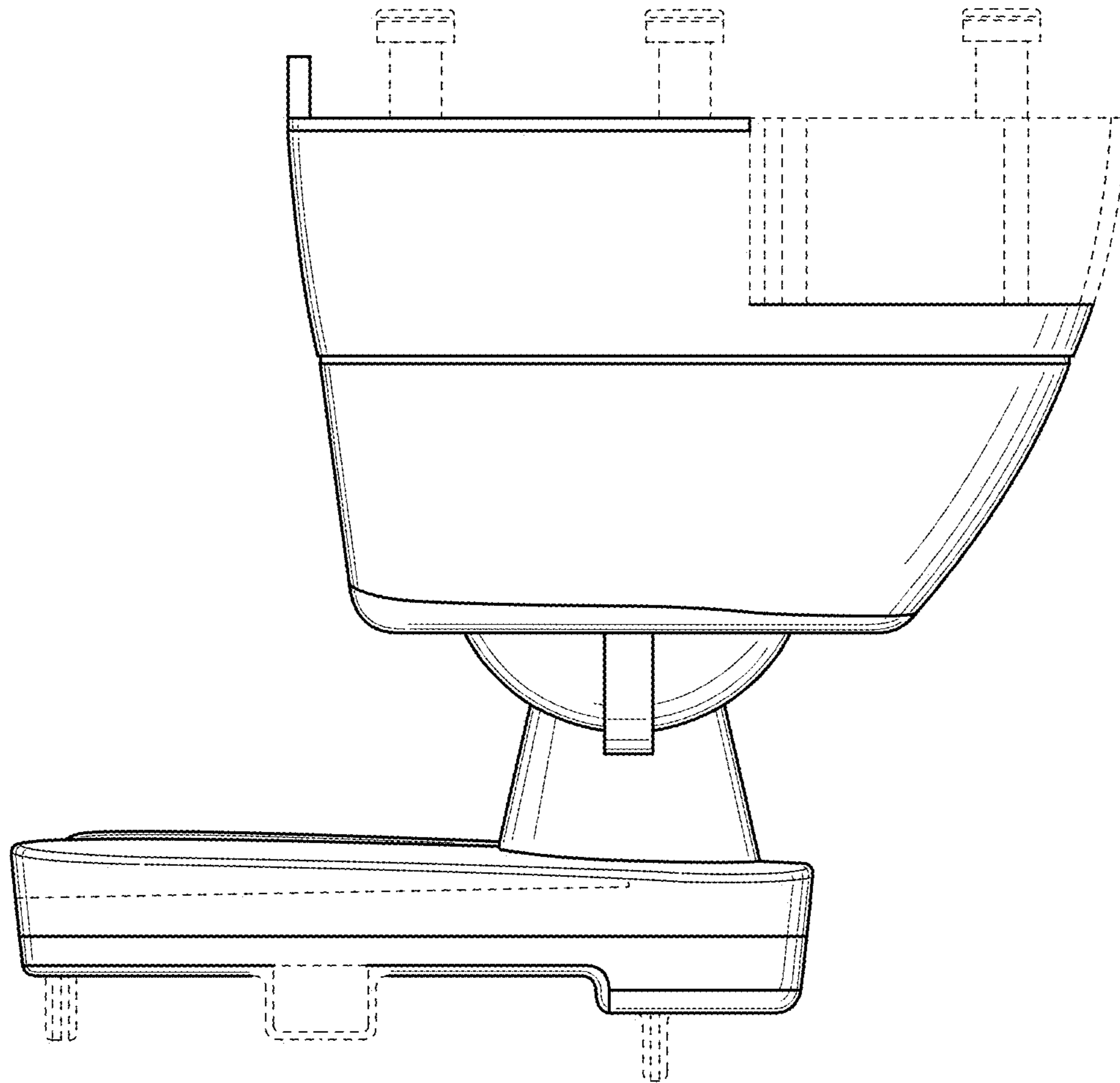


FIG. 4



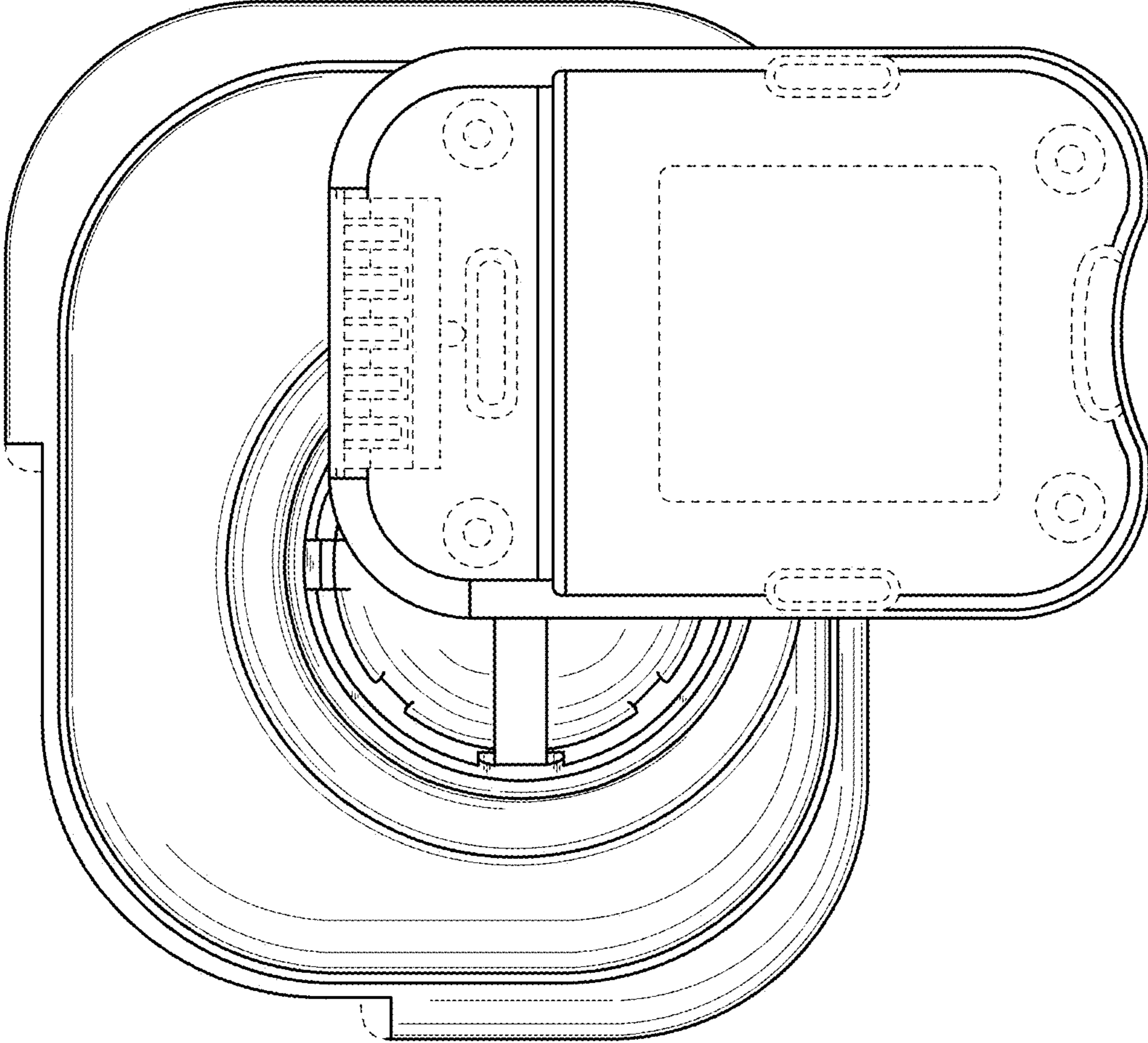


FIG. 5

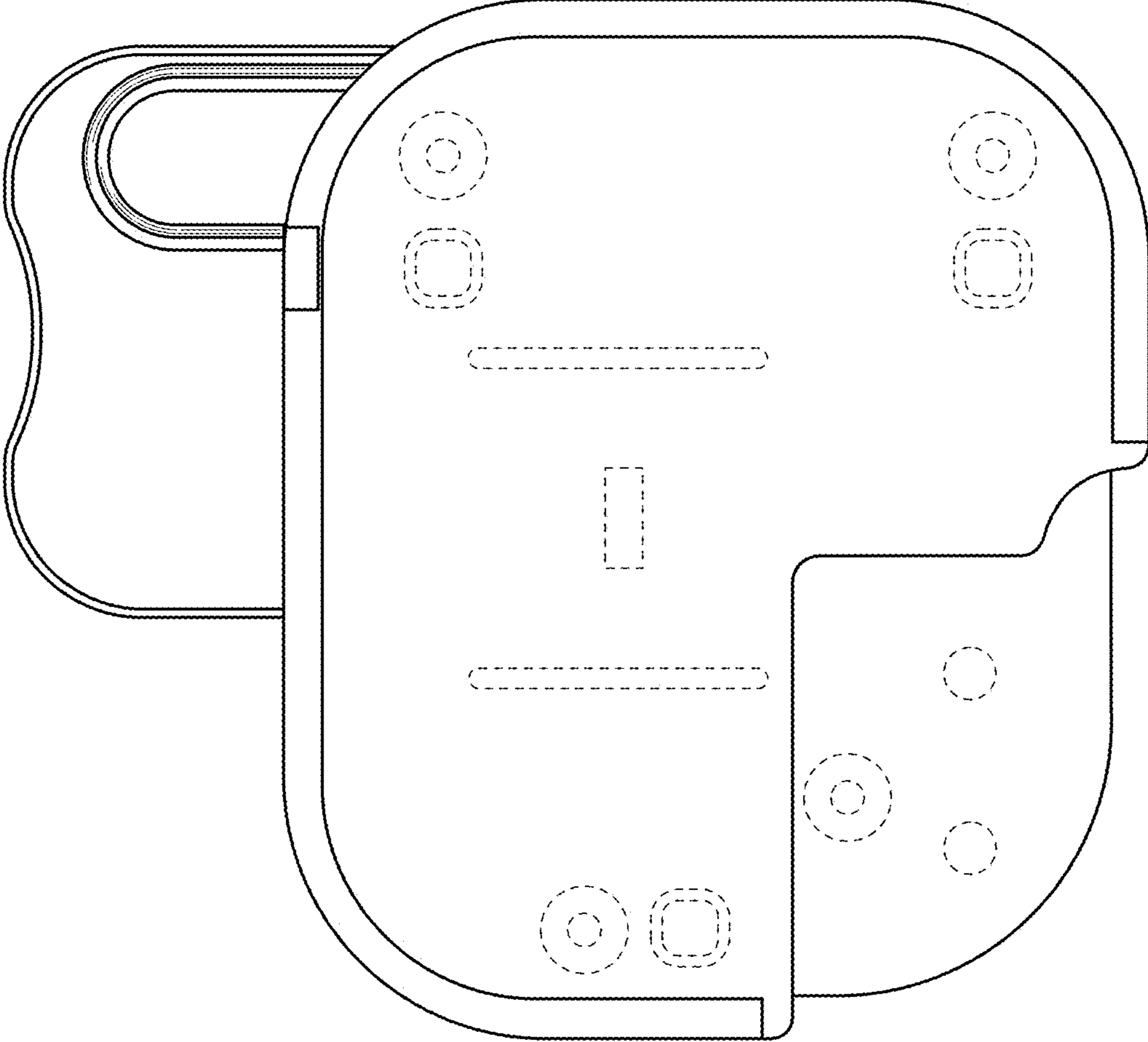


FIG. 6



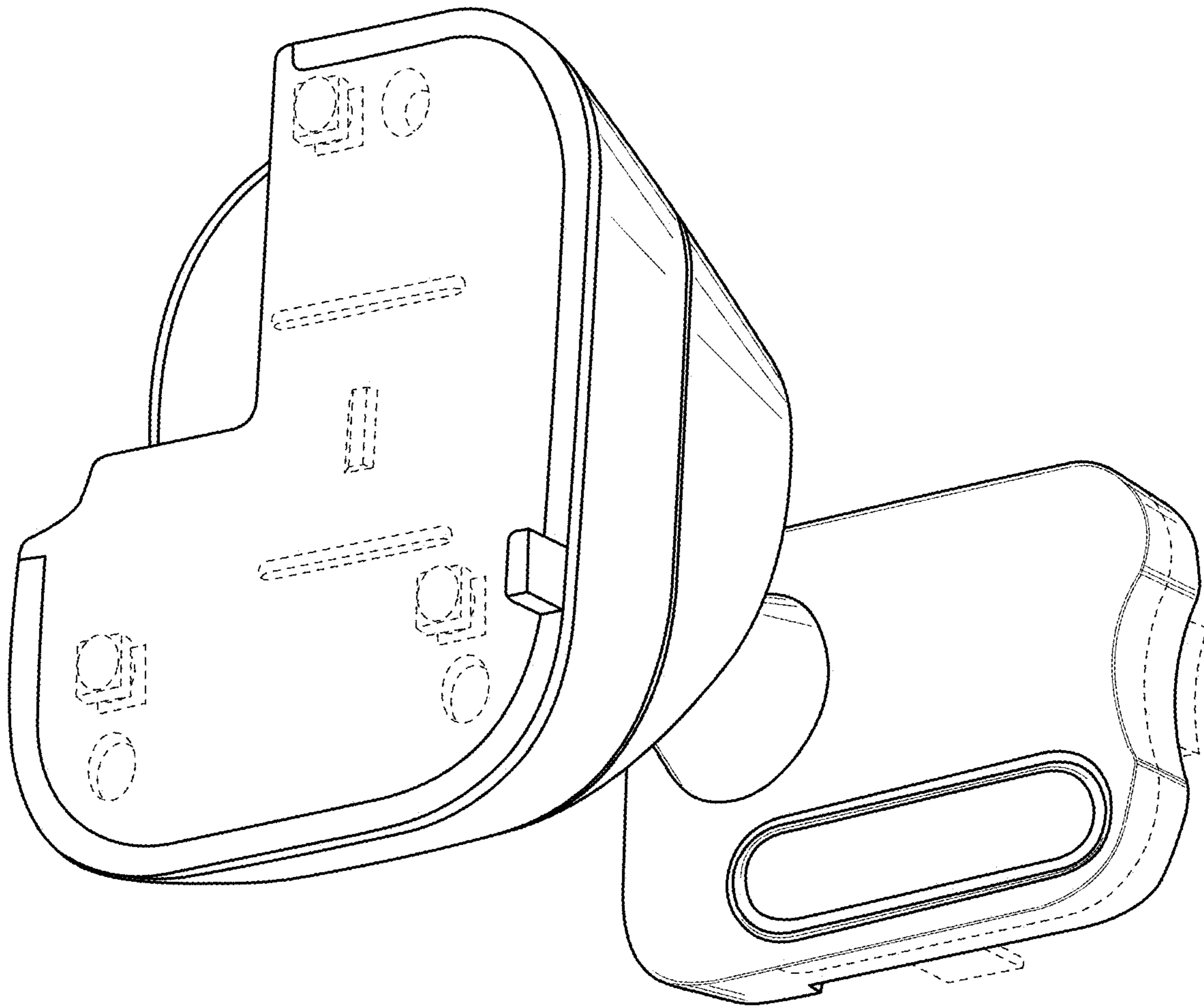


FIG. 7