



US00D923686S

(12) **United States Design Patent**  
**Grant et al.**

(10) **Patent No.:** **US D923,686 S**

(45) **Date of Patent:** **\*\* \*Jun. 29, 2021**

(54) **CAMERA MOUNT**

(71) Applicant: **Portable Multimedia Ltd**, West End (GB)

(72) Inventors: **Robert Grant**, West End (GB);  
**Graham Lambert**, West End (GB);  
**Ceri Hill**, West End (GB)

(73) Assignee: **Portable Multimedia Ltd**, West End (GB)

(\*) Notice: This patent is subject to a terminal disclaimer.

(\*\*) Term: **15 Years**

(21) Appl. No.: **29/694,109**

(22) Filed: **Jun. 7, 2019**

(30) **Foreign Application Priority Data**

Dec. 7, 2018 (GB) ..... 6049653

(51) **LOC (13) Cl.** ..... **16-05**

(52) **U.S. Cl.**  
USPC ..... **D16/242**

(58) **Field of Classification Search**  
USPC ..... D16/219, 237–250; D8/354, 355, 363,  
D8/373, 382–383, 394–396; D14/224,  
D14/229, 238, 251, 253, 447, 451, 457  
CPC ..... F16M 11/06–10; F16M 11/14; G02B  
7/00–002; G03B 17/56; G03B  
17/561–566; H04N 5/2253–2254  
See application file for complete search history.

(56) **References Cited**

**U.S. PATENT DOCUMENTS**

D507,007 S \* 7/2005 Sitoh ..... D16/202  
D651,633 S \* 1/2012 Park ..... D16/203  
D697,119 S \* 1/2014 Park ..... D16/203  
D718,612 S \* 12/2014 McSweyn ..... D8/363

D733,781 S \* 7/2015 Chen ..... D16/202  
D774,231 S \* 12/2016 Recker ..... D26/63  
D778,713 S \* 2/2017 McSweyn ..... D8/363  
D778,884 S \* 2/2017 Taptic ..... D14/238  
D806,154 S \* 12/2017 Shi ..... D16/202  
D821,365 S \* 6/2018 Gheysens ..... D14/224  
D825,548 S \* 8/2018 Lebovitz ..... D14/253  
D845,309 S \* 4/2019 Goldstein ..... D14/447  
10,401,710 B2 \* 9/2019 Wilson ..... F16M 11/14  
D866,637 S \* 11/2019 Xie ..... D16/203  
D872,688 S \* 1/2020 Nazar ..... D13/108

(Continued)

**OTHER PUBLICATIONS**

Dual Dash Cam, VAVA 2K. [online] Retrieved Sep. 9, 2020 from URL: <https://www.amazon.com/VAVA-Infrared-Control-Display-Parking/dp/B085Y61W5V/>.\*

(Continued)

*Primary Examiner* — Vy N Koenig

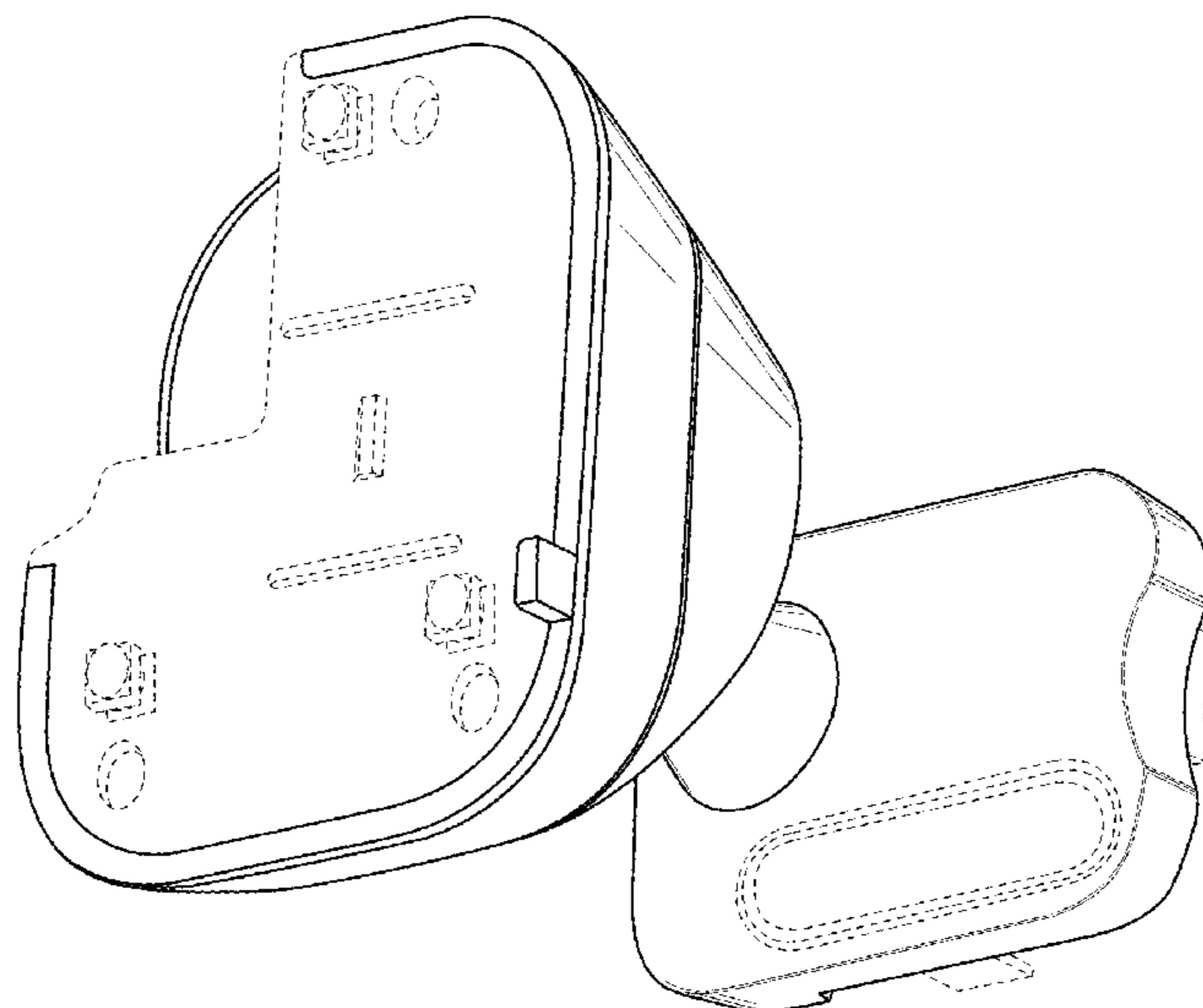
(57) **CLAIM**

The ornamental design for a camera mount, as shown and described.

**DESCRIPTION**

FIG. 1 is a right-side view of a camera mount, showing our new design;  
FIG. 2 is a front view of the camera mount illustrated in FIG. 1;  
FIG. 3 is a left-side view of the camera mount illustrated in FIG. 1;  
FIG. 4 is a rear view of the camera mount illustrated in FIG. 1;  
FIG. 5 is a bottom view of the camera mount illustrated in FIG. 1;  
FIG. 6 is a top view of the camera mount illustrated in FIG. 1; and,  
FIG. 7 is a perspective view of the camera mount illustrated in FIG. 1.

**1 Claim, 7 Drawing Sheets**



(56)

**References Cited**

U.S. PATENT DOCUMENTS

D881,896 S \* 4/2020 Burns ..... D14/447  
10,697,583 B2 \* 6/2020 Law ..... F16M 11/16  
2014/0198208 A1 \* 7/2014 Neufeld ..... H04N 5/2251  
348/143  
2016/0138754 A1 \* 5/2016 Li ..... B60R 11/00  
248/206.5

OTHER PUBLICATIONS

Camius SPOT828A 4K 8MP Spotlight, [online] Retrieved Sep. 18, 2020 from URL: <https://www.amazon.com/Camius-Spotlight-Outdoor-Security-Degrees/dp/B07YXCXKVK/>.\*

U.S. Appl. No. 29/694,104; First inventor: Robert Grant; filed Jun. 7, 2019

U.S. Appl. No. 29/694,108; First inventor: Robert Grant; filed Jun. 7, 2019

U.S. Appl. No. 29/694,115; First inventor: Robert Grant; filed Jun. 7, 2019

U.S. Appl. No. 29/694,119; First inventor: Robert Grant; filed Jun. 7, 2019.

U.S. Appl. No. 29/694,123; First inventor: Robert Grant; filed Jun. 7, 2019.

\* cited by examiner

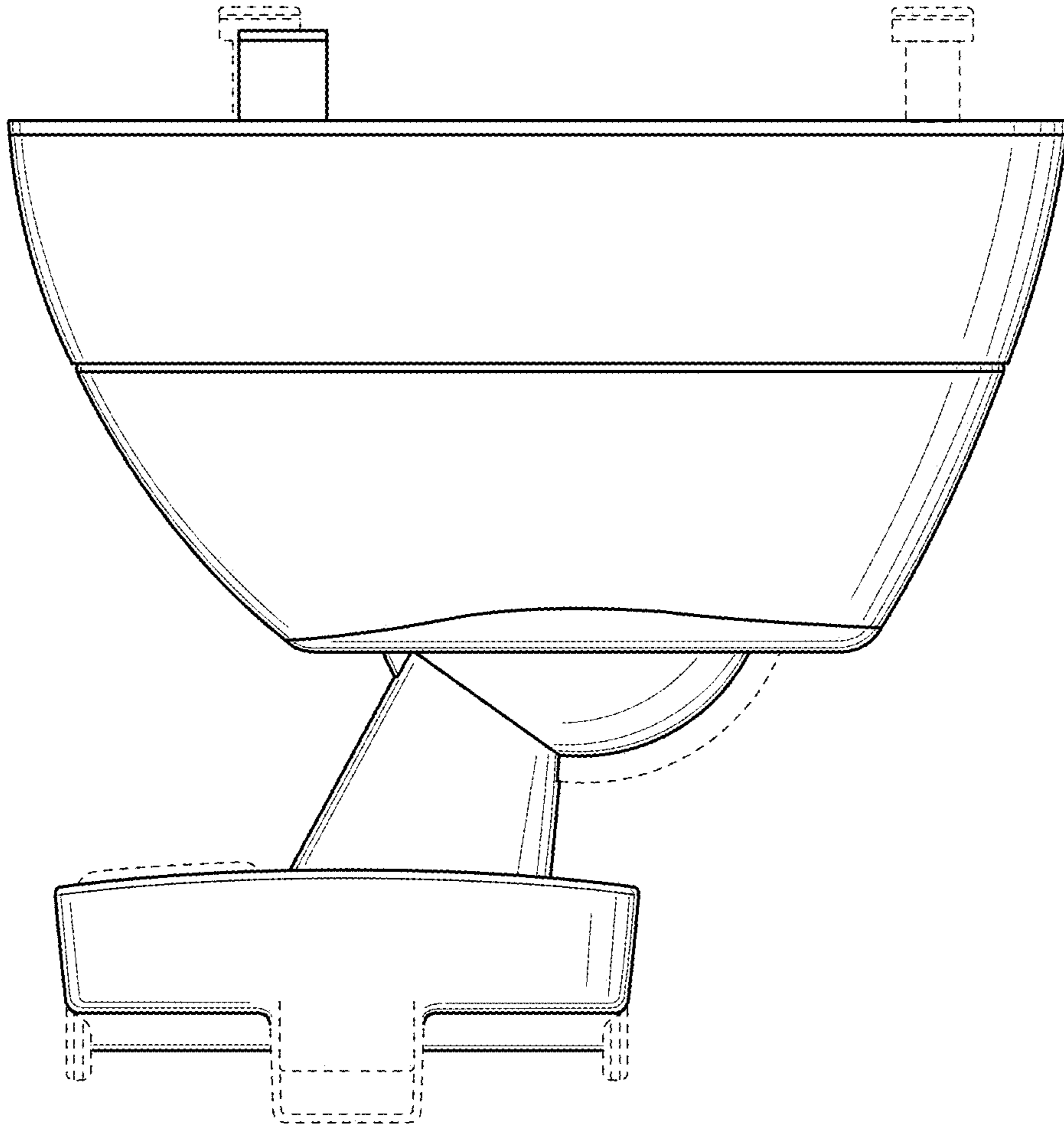


FIG. 1

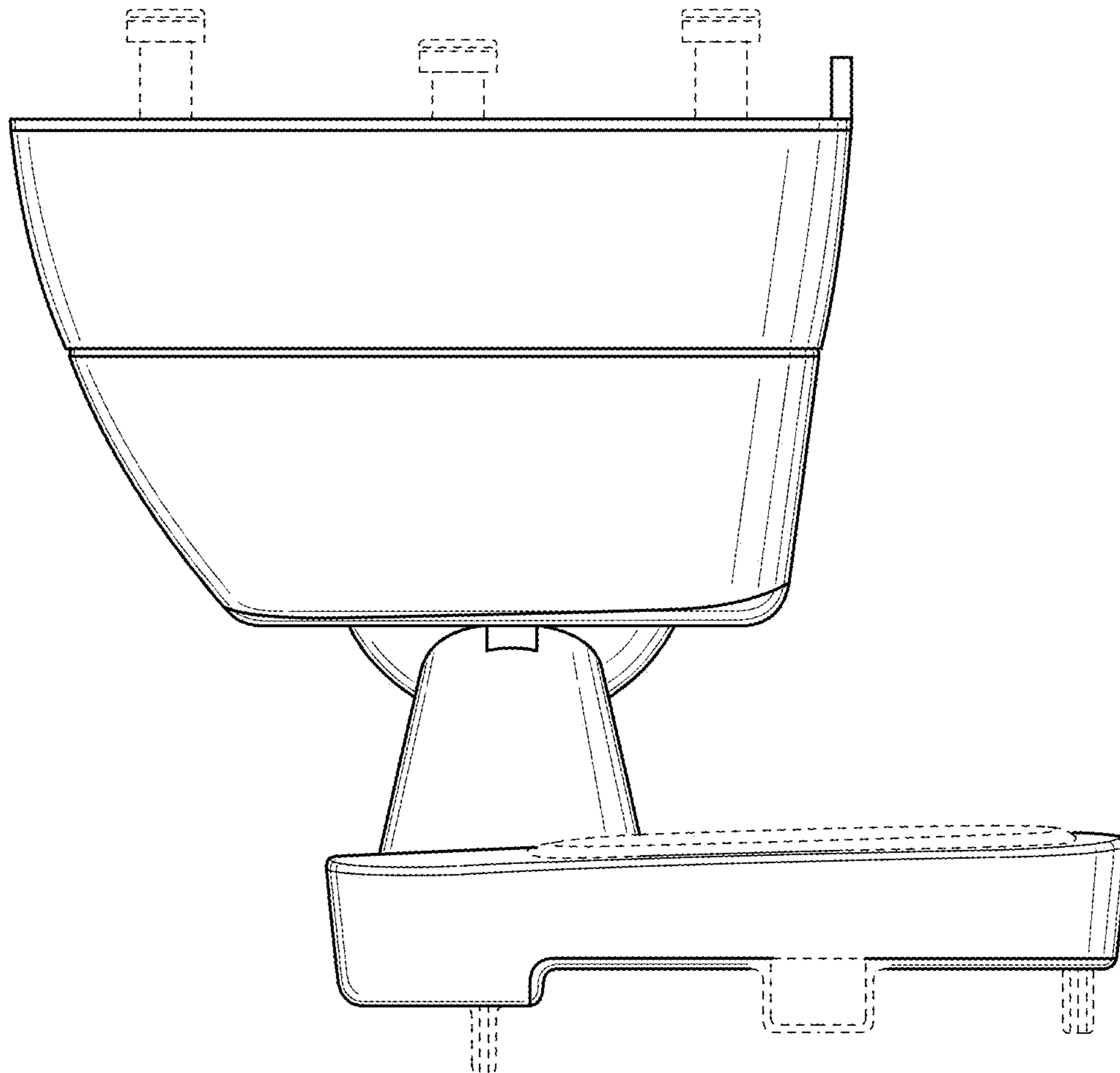


FIG. 2

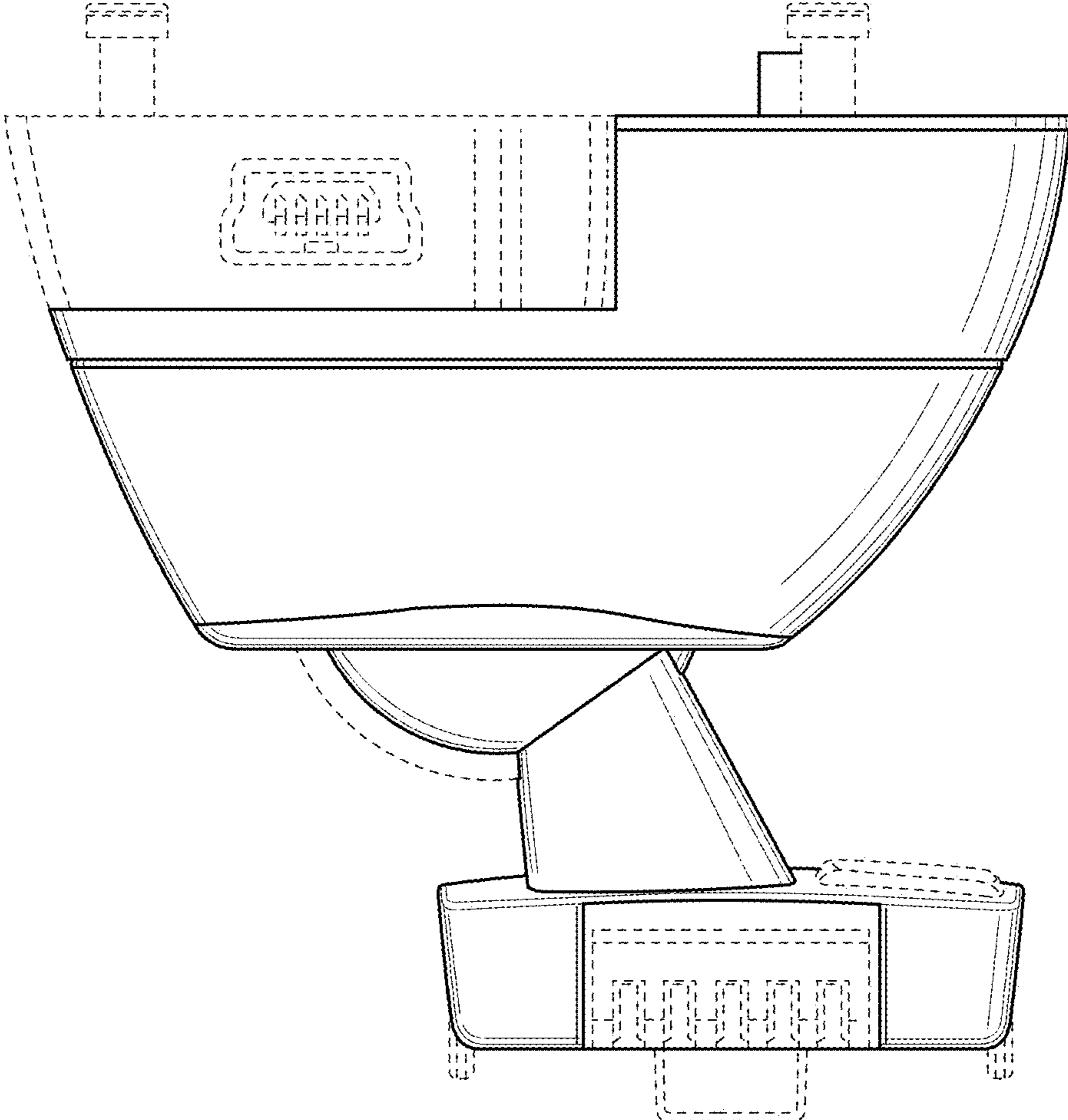


FIG. 3

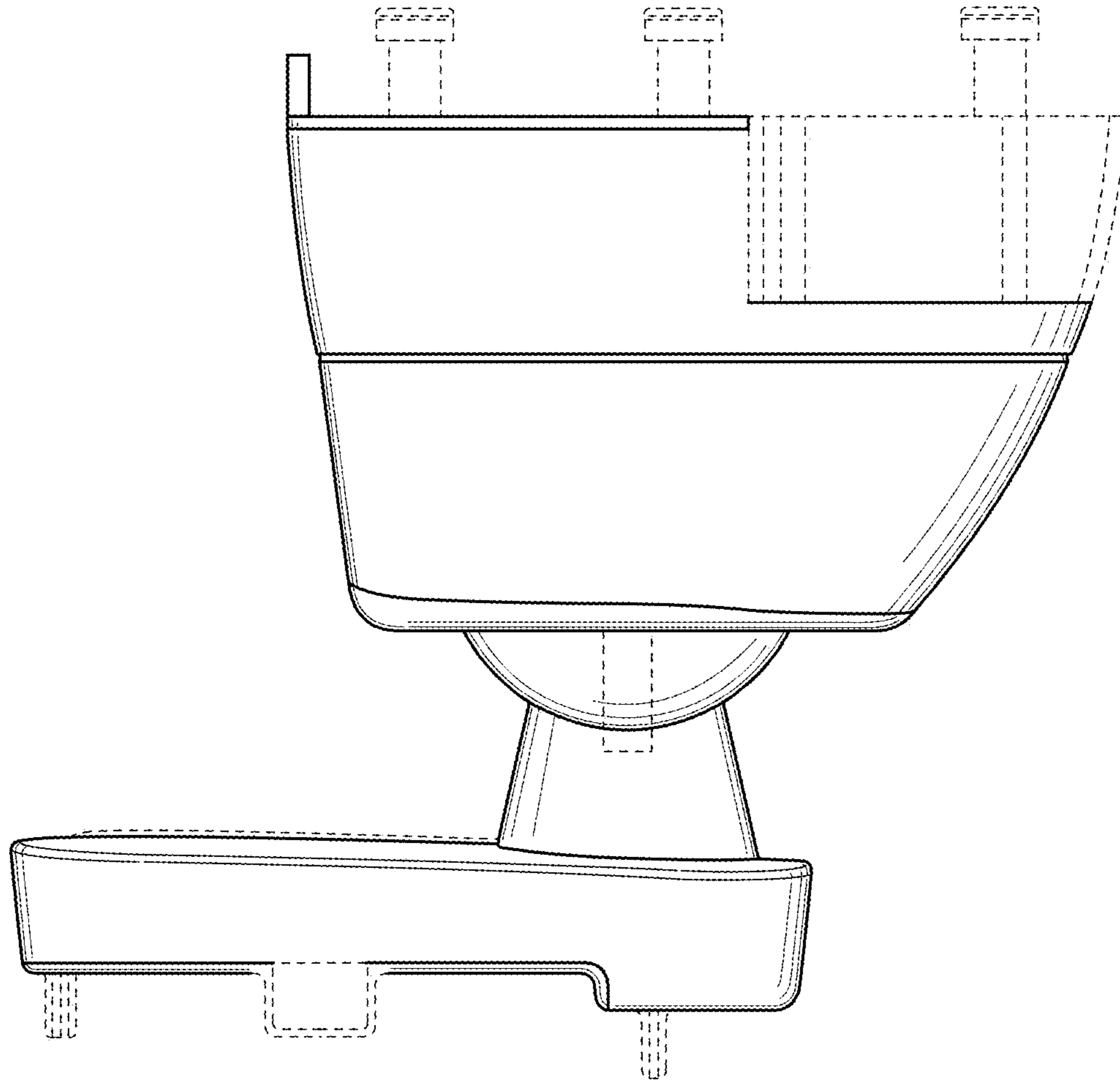


FIG. 4

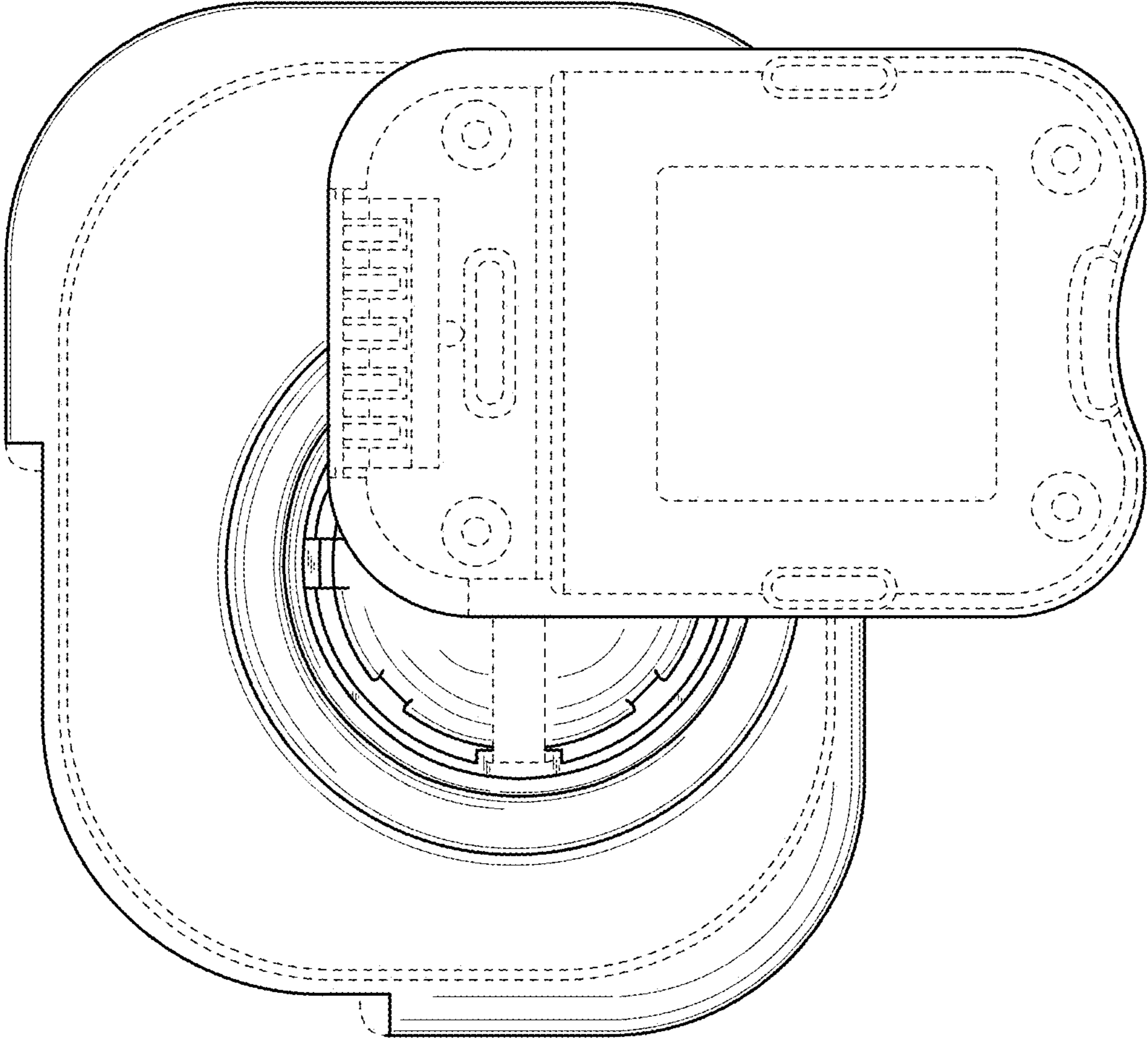


FIG. 5

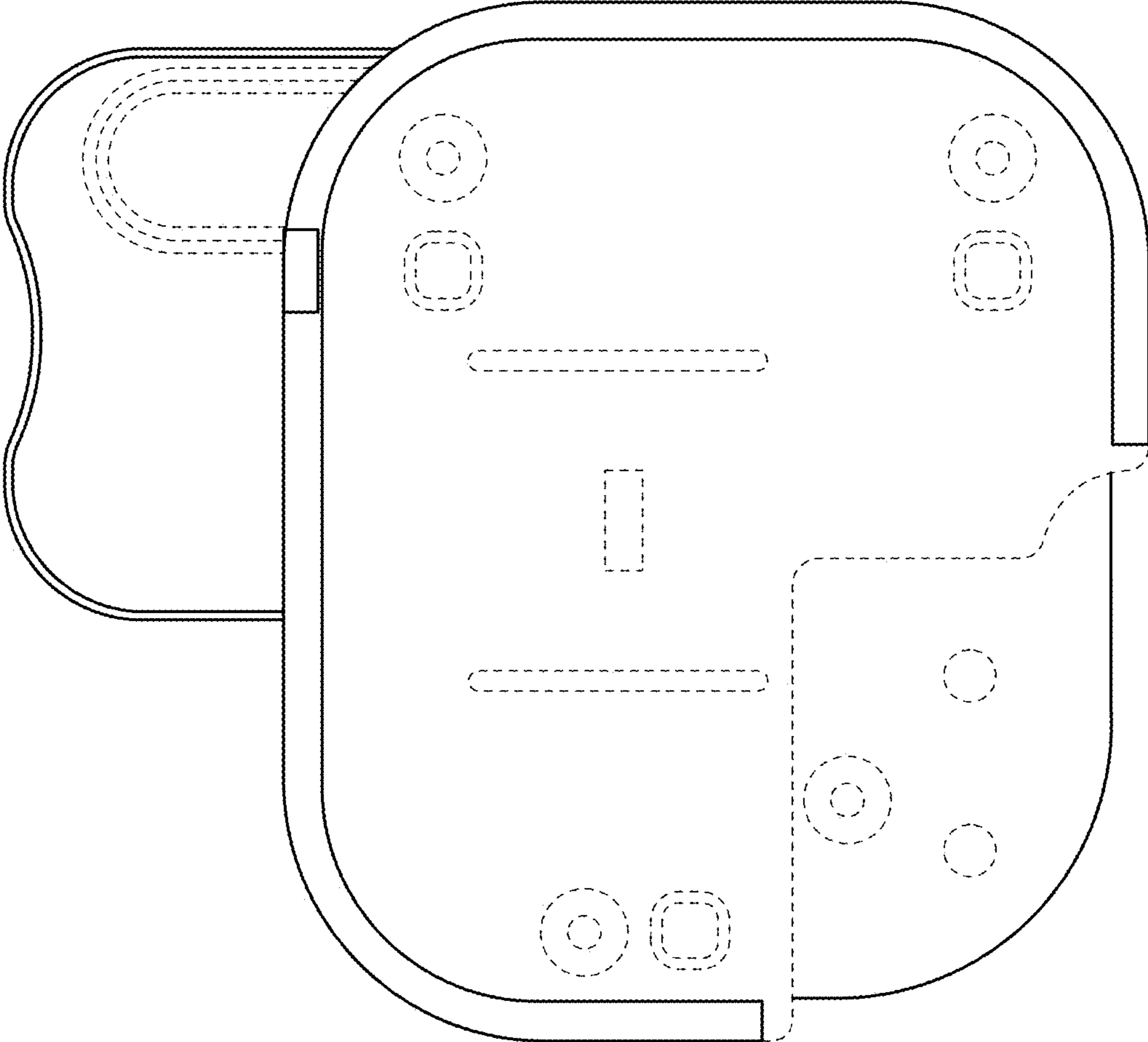


FIG. 6



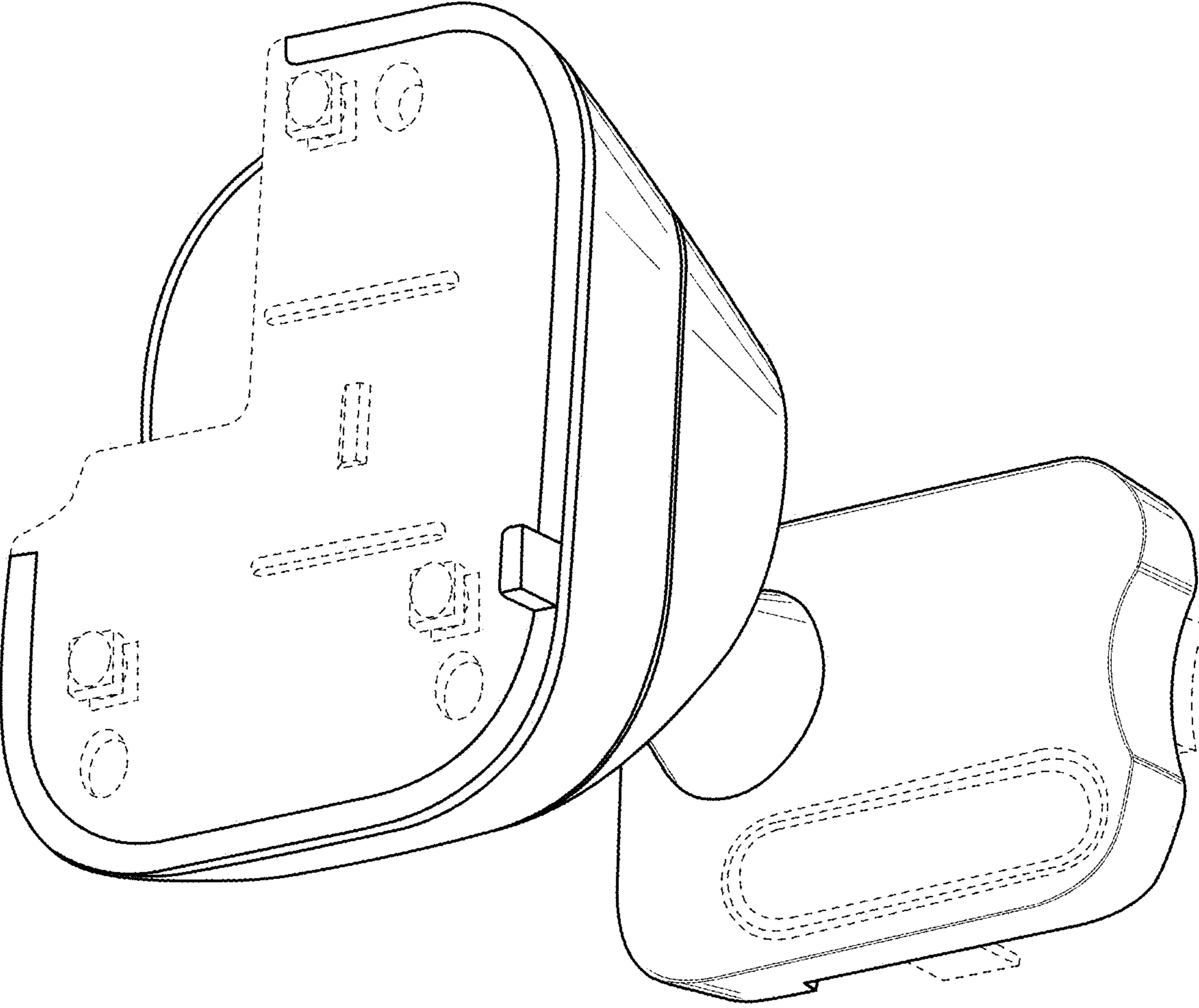


FIG. 7