



US00D923683S

(12) **United States Design Patent**  
**Ke**

(10) **Patent No.:** **US D923,683 S**

(45) **Date of Patent:** **\*\* Jun. 29, 2021**

(54) **SPEEDLITE**  
(71) Applicant: **SHENZHEN NEEWER TECHNOLOGY CO. LTD**, Shenzhen (CN)

(72) Inventor: **Yan Ke**, Shenzhen (CN)

(73) Assignee: **SHENZHEN NEEWER TECHNOLOGY CO. LTD**, Shenzhen (CN)

(\*\*) Term: **15 Years**

(21) Appl. No.: **29/761,425**

(22) Filed: **Dec. 9, 2020**

(51) **LOC (13) Cl.** ..... **16-05**

(52) **U.S. Cl.**  
USPC ..... **D16/239**

(58) **Field of Classification Search**  
USPC ..... D16/208–209, 239, 240; D26/63, 64  
CPC ..... G03B 2215/0514–0521  
See application file for complete search history.

(56) **References Cited**

**U.S. PATENT DOCUMENTS**

D241,273 S	8/1976	Okuno et al.	
D263,720 S	4/1982	Takematsu	
D271,210 S	11/1983	Shull	
D342,753 S	12/1993	Haga	
D453,351 S	2/2002	Kitera	
D502,488 S	3/2005	Miyashita	
D562,875 S *	2/2008	Kitera	D16/239
D689,538 S	9/2013	Sato	
D696,711 S *	12/2013	Takahashi	D16/240
D701,553 S	3/2014	Sanhui	
D703,723 S	4/2014	Soejima	
D708,251 S *	7/2014	Chen	D16/240
D741,395 S	10/2015	Oh	
9,876,961 B2 *	1/2018	Kojima	G03B 15/05

9,921,457 B2 *	3/2018	Okano	G03B 15/05
D819,115 S	5/2018	Nohara	
9,992,425 B2 *	6/2018	Yamamoto	H04N 5/2256
D855,683 S *	8/2019	Sakai	D16/239
10,386,700 B2 *	8/2019	Okano	G03B 15/05
D866,646 S *	11/2019	Liu	D16/239
10,768,509 B2 *	9/2020	Chen	G03B 15/05
D900,198 S *	10/2020	Ansehn	D16/239

**OTHER PUBLICATIONS**

29761425\_OrbitForeignPatentRefs. (Design © Questel) orbit.com.  
[online PDF] 32 pgs. Print date: May 11, 2021. Retrieved from  
<https://www.orbit.com/export/QPTUJ190/pdf2/0a5214fb-2ec5-4dfb-a73a-c0ca4061930c-161350.pdf>\*

(Continued)

*Primary Examiner* — Vy N Koenig

(74) *Attorney, Agent, or Firm* — Westbridge IP LLC

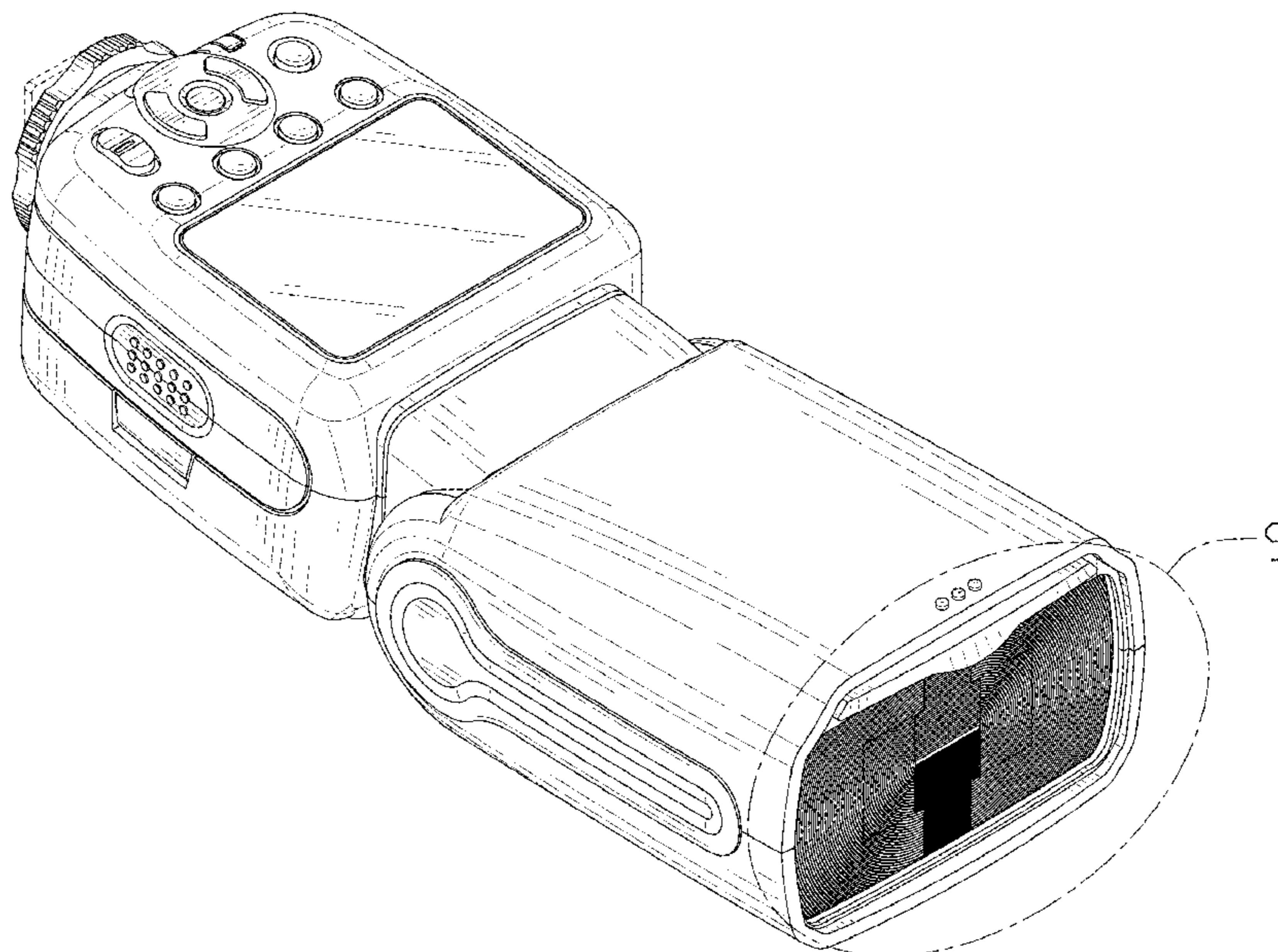
(57) **CLAIM**

The ornamental design for a speedlite, as shown and described.

**DESCRIPTION**

FIG. 1 is a front perspective view of a speedlite showing my new design;  
FIG. 2 is a rear perspective view thereof;  
FIG. 3 is a front elevational view thereof;  
FIG. 4 is a rear elevational view thereof;  
FIG. 5 is a left side elevational view thereof;  
FIG. 6 is a right side elevational view thereof;  
FIG. 7 is a top plan view thereof;  
FIG. 8 is a bottom plan view thereof;  
FIG. 9 is an enlarged view of portion 9 of FIG. 1; and,  
FIG. 10 is an enlarged view of FIG. 3.  
The broken lines in the drawings illustrate the portions of the speedlite which form no part of the claimed design.

**1 Claim, 10 Drawing Sheets**



(56)

**References Cited**

OTHER PUBLICATIONS

K&F Concept KF885 Wireless TTL Flash, [online] Published on Sep. 7, 2018. Retrieved May 7, 2021 from URL: [https://www.kentfaith.com/USKF22.011\\_kf885-wireless-ttl-flash-1-8000-high-speed-sync-speedlite-shoe-mount-for-canon-nikon](https://www.kentfaith.com/USKF22.011_kf885-wireless-ttl-flash-1-8000-high-speed-sync-speedlite-shoe-mount-for-canon-nikon).\*

Neewer NW655-C 2.4G HSS 1\_8000s TTL GN58 Wireless, [online] Published on Sep. 14, 2020. Retrieved May 7, 2021 from URL: [https://www.amazon.com/Neewer-NW655-C-Wireless-Speedlite-Compatible-dp-B08HYZQQKF/dp/B08HYZQQKF/ref=dp\\_ob\\_title\\_ce](https://www.amazon.com/Neewer-NW655-C-Wireless-Speedlite-Compatible-dp-B08HYZQQKF/dp/B08HYZQQKF/ref=dp_ob_title_ce).\*

\* cited by examiner

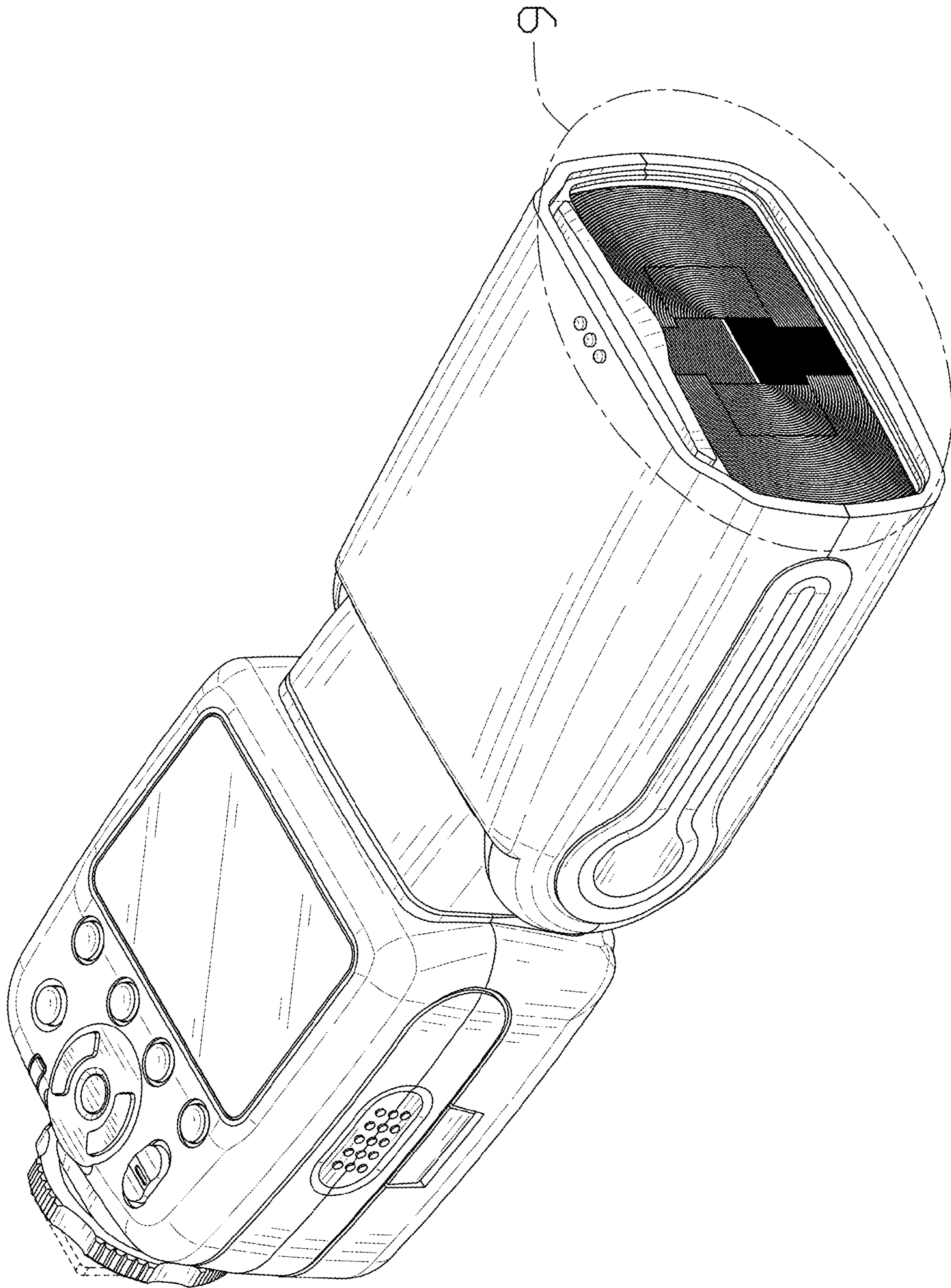


FIG. 1

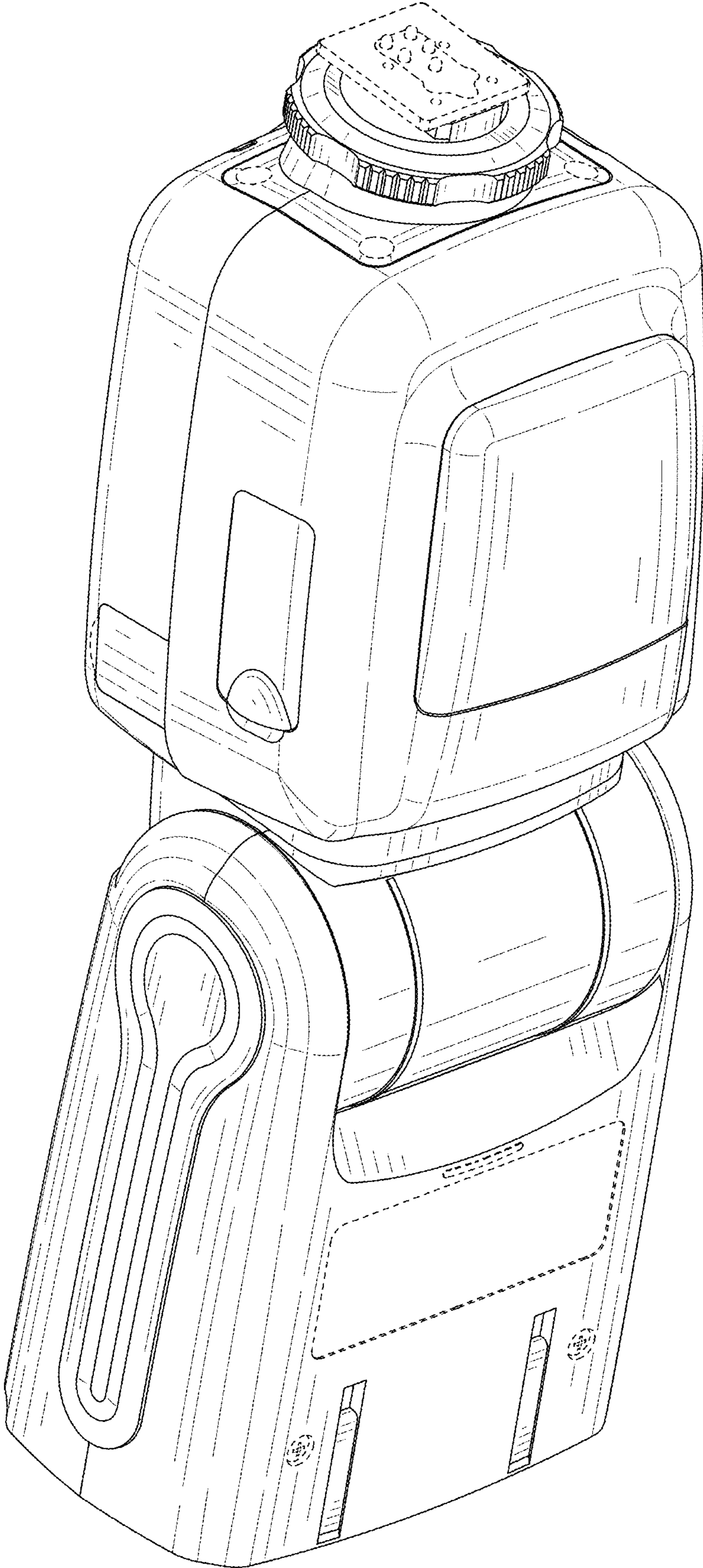


FIG. 2

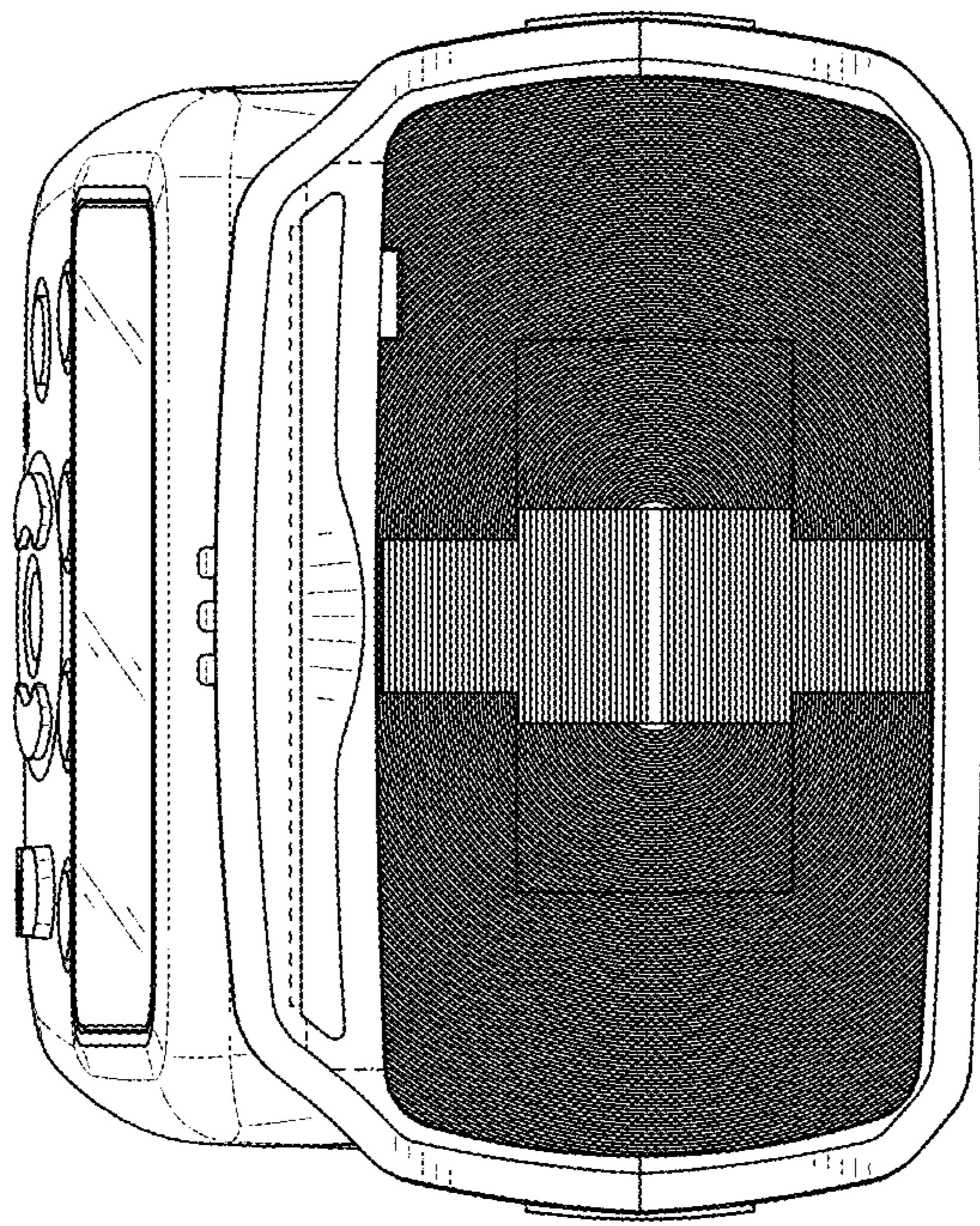


FIG. 3

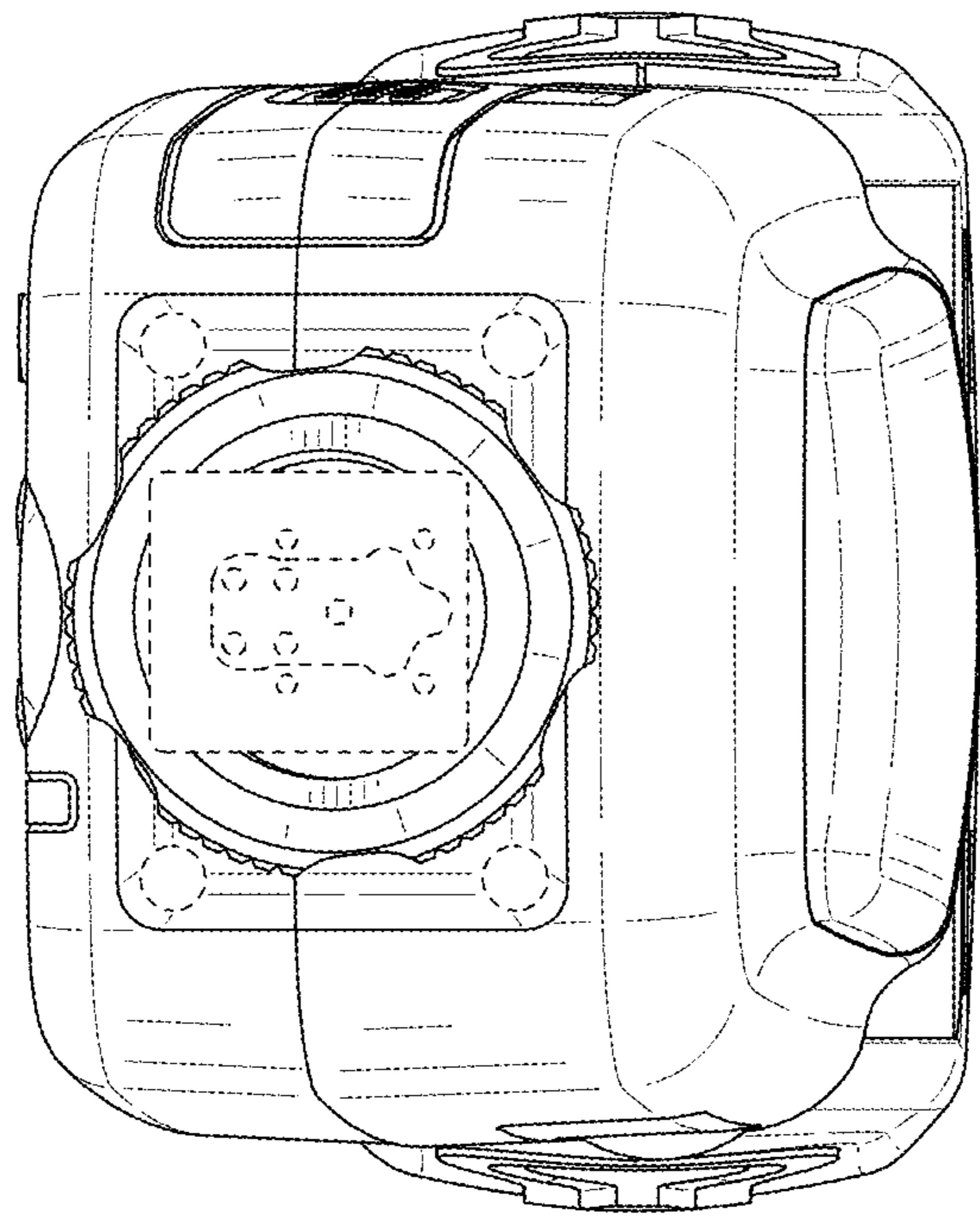


FIG. 4

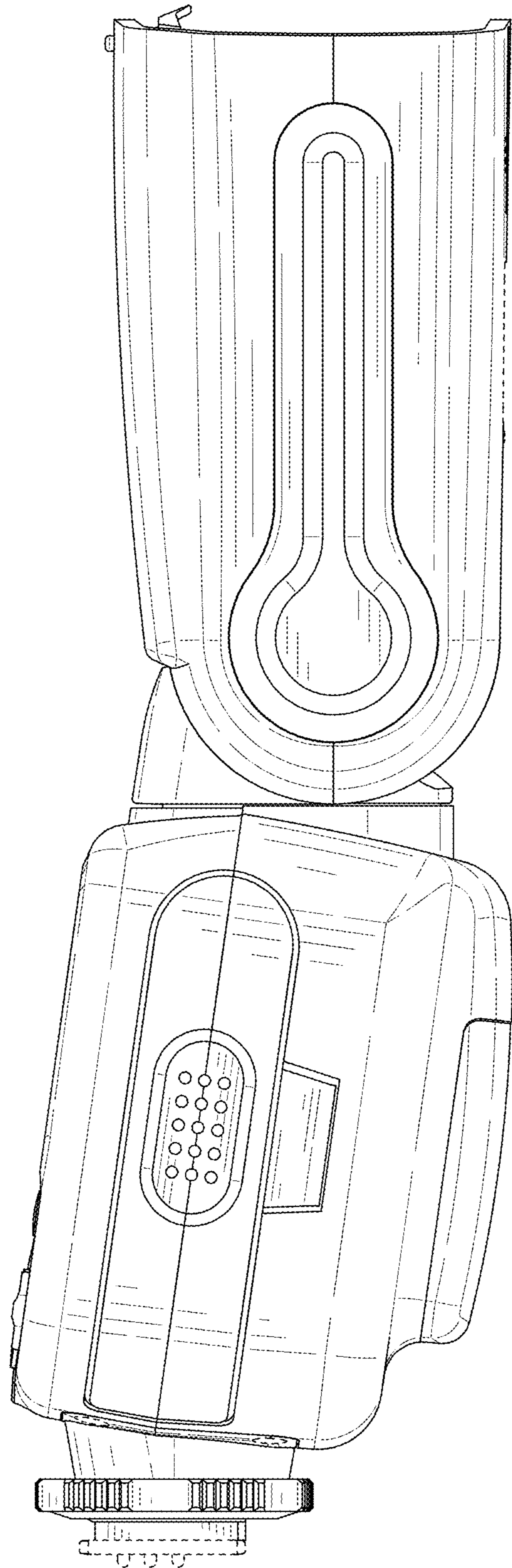


FIG. 5

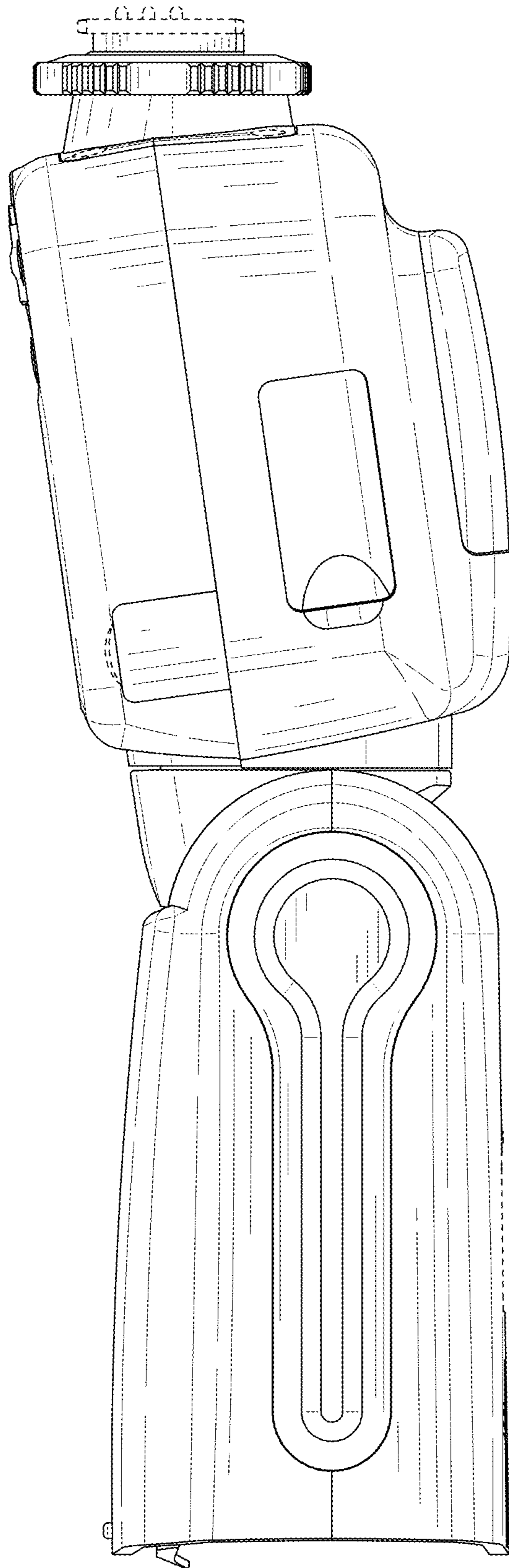


FIG. 6



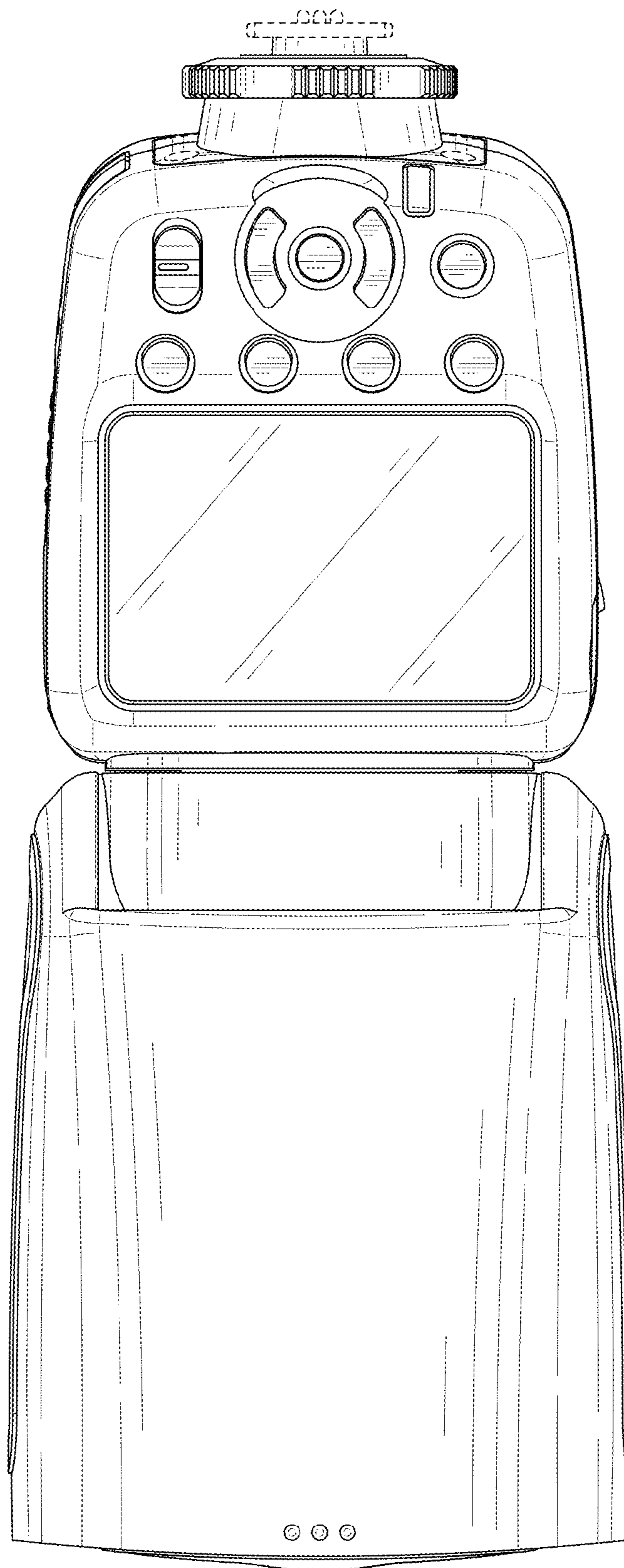


FIG. 7

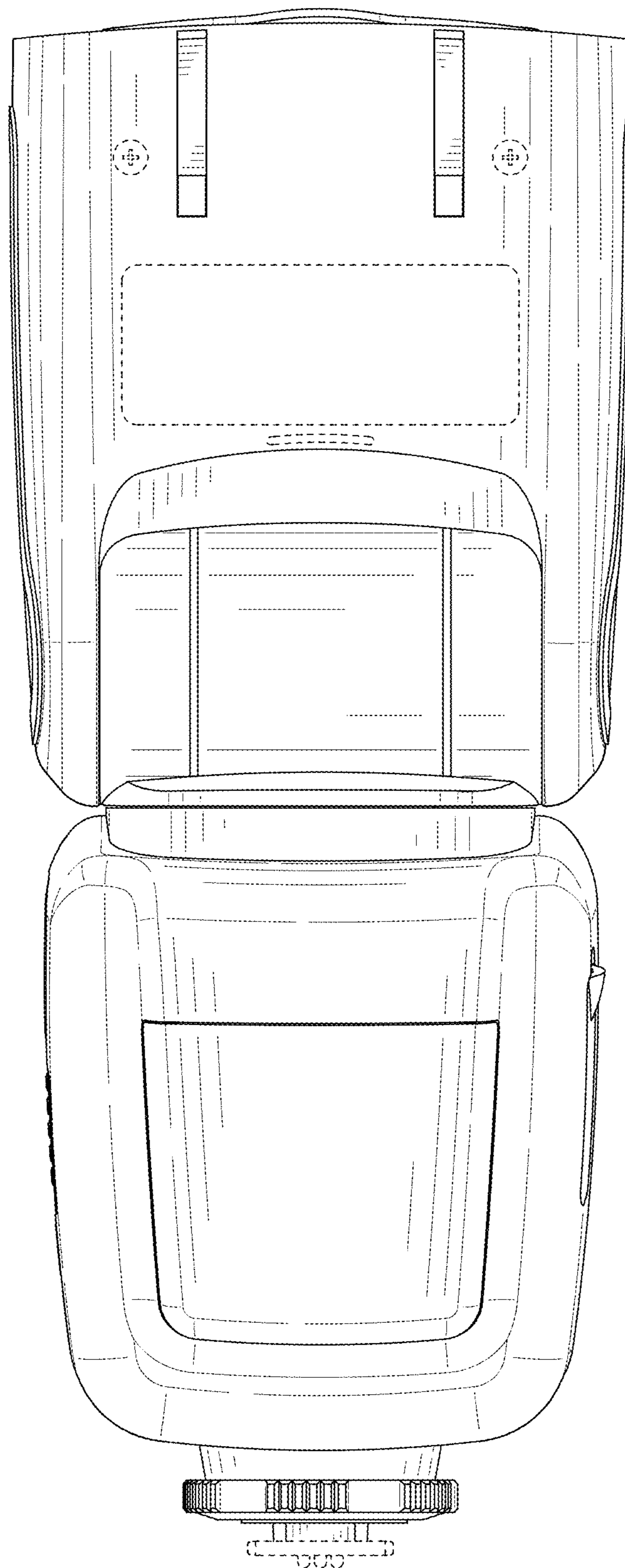


FIG. 8

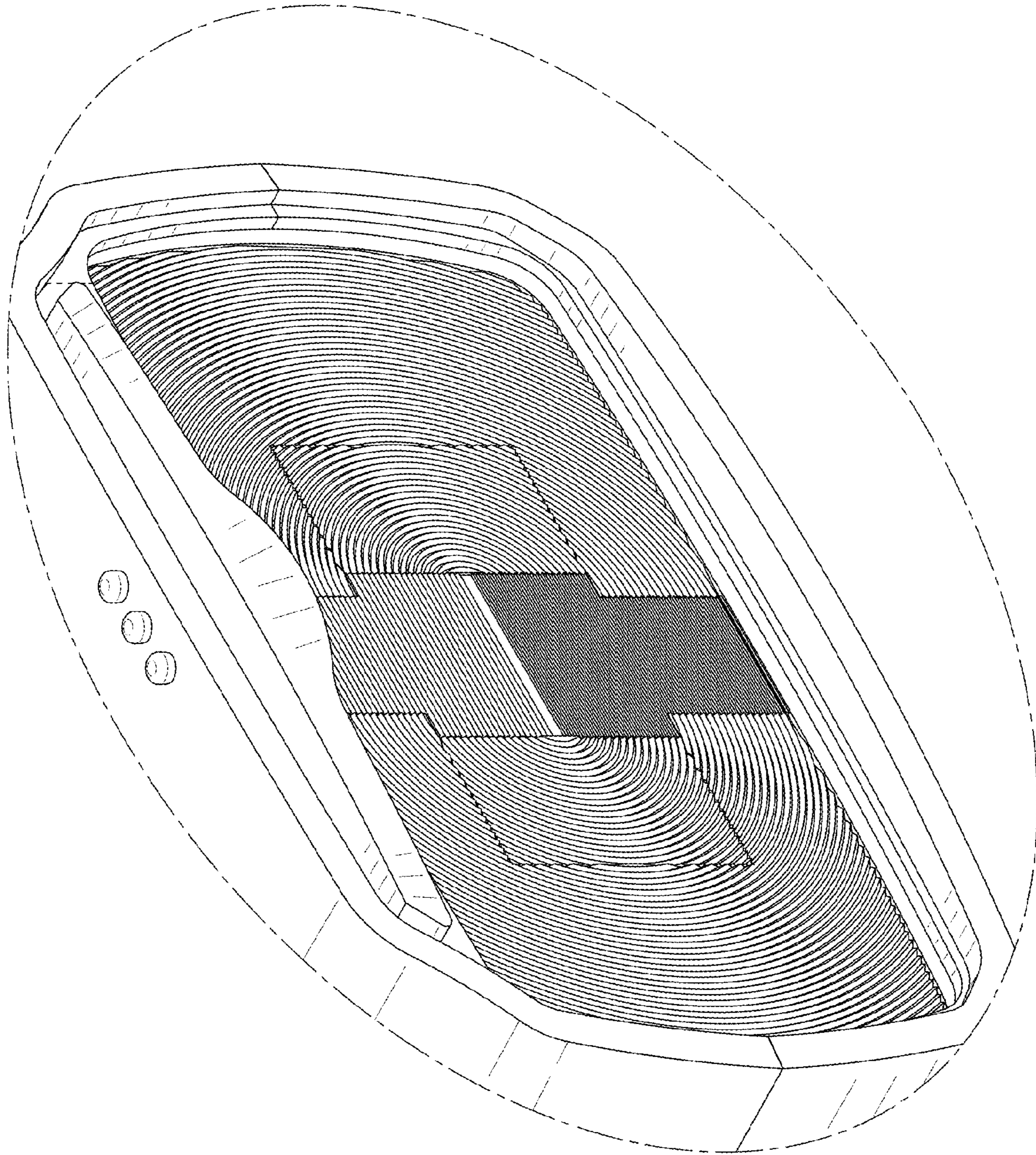


FIG. 9

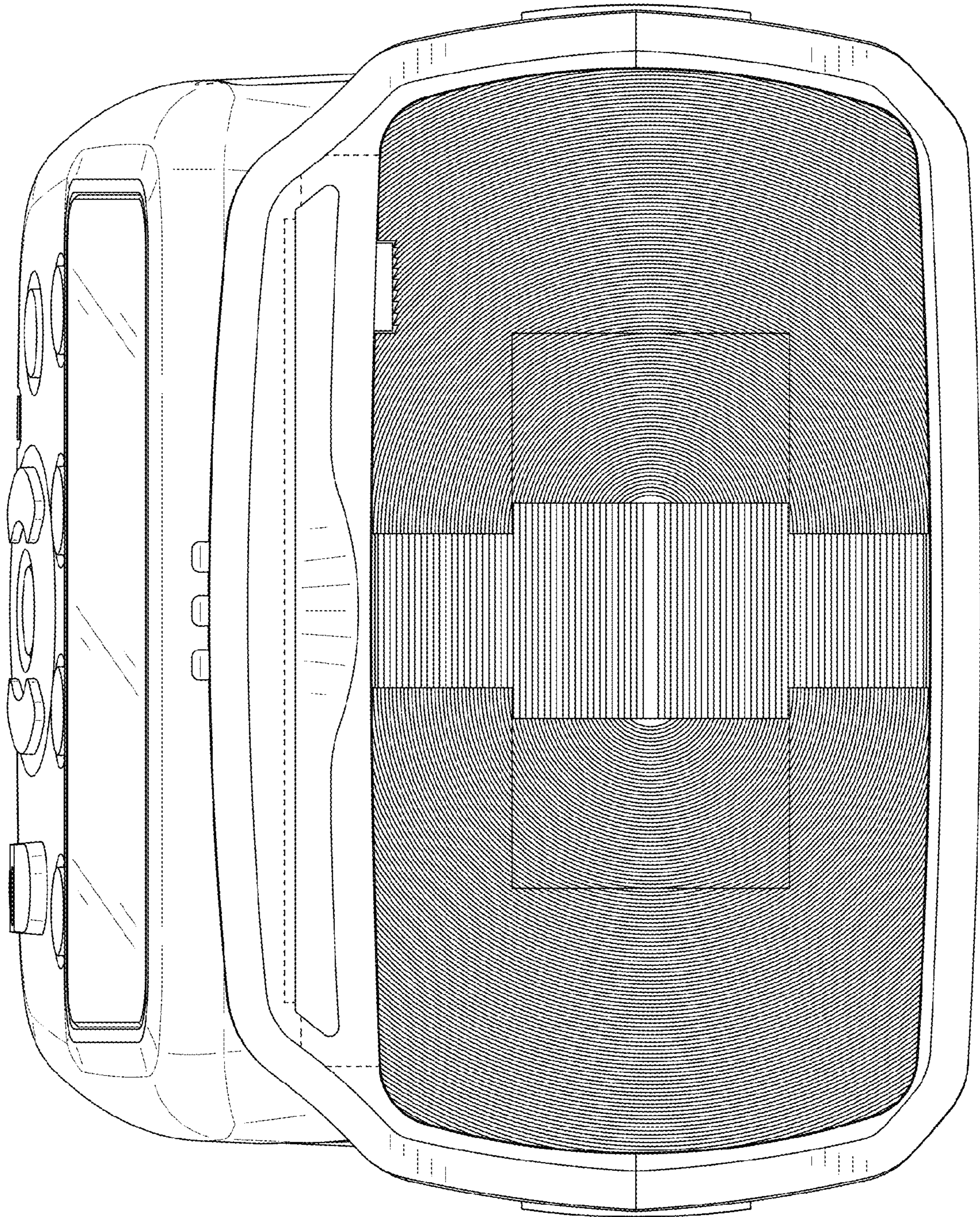


FIG. 10