



US00D923678S

(12) **United States Design Patent**  
**Bales et al.**

(10) **Patent No.:** **US D923,678 S**  
(45) **Date of Patent:** **\*\* Jun. 29, 2021**

- (54) **BATTLE ROBOT**
- (71) Applicants: **William Thomas Bales**, Miami, FL (US); **Isaac Lubarsky**, Coral Gables, FL (US); **Tyler Bond**, Belmont, CA (US); **Kyle Awner**, Miami, FL (US); **Alexander Mattaway**, Miami, FL (US)
- (72) Inventors: **William Thomas Bales**, Miami, FL (US); **Isaac Lubarsky**, Coral Gables, FL (US); **Tyler Bond**, Belmont, CA (US); **Kyle Awner**, Miami, FL (US); **Alexander Mattaway**, Miami, FL (US)

D322,331 S *	12/1991	Tsuji .....	D26/97
5,525,090 A *	6/1996	Halford .....	A63H 17/00
			446/330
D422,322 S *	4/2000	Wei .....	D21/451
D422,650 S *	4/2000	Wei .....	D21/451
D461,855 S *	8/2002	Ewert .....	D21/533
D479,288 S *	9/2003	Nakase .....	D21/578
D510,963 S *	10/2005	Nakase .....	D21/578
D555,213 S *	11/2007	Bowen .....	D21/578
D577,083 S *	9/2008	Nakayama .....	D21/562
D593,616 S *	6/2009	Asai .....	D21/562
D639,351 S *	6/2011	Newmayer .....	D21/533
D667,512 S *	9/2012	Mimlitch, III .....	D21/650
D675,264 S *	1/2013	Mimlitch, III .....	D21/578
D676,503 S *	2/2013	Umezawa .....	D21/567
D677,345 S *	3/2013	Isted .....	D21/551

(Continued)

- (\*\*) Term: **15 Years**
- (21) Appl. No.: **29/686,518**
- (22) Filed: **Apr. 4, 2019**
- (51) **LOC (13) Cl.** ..... **15-99**
- (52) **U.S. Cl.**  
USPC ..... **D15/199**
- (58) **Field of Classification Search**  
USPC ..... D15/199; D21/447, 451, 533, 548-551, D21/567, 578-583; D32/21; D34/34  
CPC ..... A63H 17/002; A63H 17/045  
See application file for complete search history.

*Primary Examiner* — Patricia A Palasik  
(74) *Attorney, Agent, or Firm* — Gregory L. Mayback;  
Dickinson Wright PLLC

(57) **CLAIM**

The ornamental design for a battle robot, as shown and described.

**DESCRIPTION**

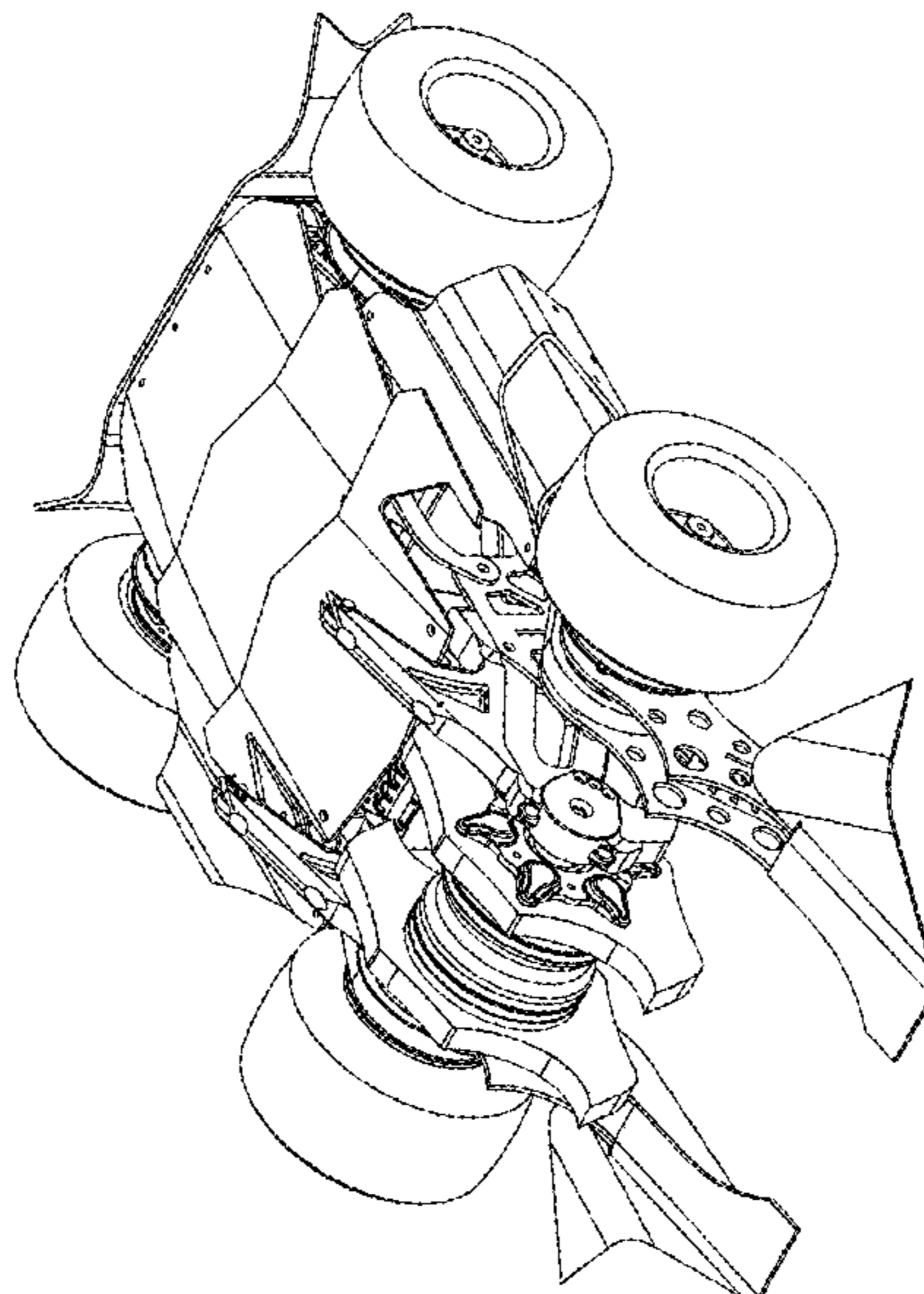
FIG. 1 is a perspective view of a battle robot from a front corner showing our new design;  
FIG. 2 is a top plan view thereof;  
FIG. 3 is a left side elevation view thereof;  
FIG. 4 is a front elevation view thereof;  
FIG. 5 is a right side elevation view thereof;  
FIG. 6 is a rear elevation view thereof;  
FIG. 7 is a bottom plan view thereof;  
FIG. 8 is a front corner perspective view thereof;  
FIG. 9 is a fragmentary, front corner perspective view thereof;  
FIG. 10 is a front perspective view thereof;  
FIG. 11 is a rear perspective view thereof; and,  
FIG. 12 is a rear corner perspective view thereof.

(56) **References Cited**

U.S. PATENT DOCUMENTS

D271,896 S *	12/1983	Wilkes .....	D21/451
D279,016 S *	5/1985	Boudreaux .....	D21/451
D286,664 S *	11/1986	Matsuda .....	D21/580
D293,256 S *	12/1987	Suzuki .....	D21/451
D301,355 S *	5/1989	Doi .....	D21/581
D301,358 S *	5/1989	Kunihiro .....	D21/582
D305,050 S *	12/1989	Ishizawa .....	D21/579
D316,731 S *	5/1991	Tsuchiya .....	D21/550
D317,336 S *	6/1991	Tsuchiya .....	D21/550
D317,485 S *	6/1991	Mochizuki .....	D21/550
D318,888 S *	8/1991	Yoshino .....	D21/550

**1 Claim, 12 Drawing Sheets**



(56)

**References Cited**

U.S. PATENT DOCUMENTS

D689,146 S *	9/2013	Mimlitch, III	.....	D21/578
D689,147 S *	9/2013	Mimlitch, III	.....	D21/578
D689,562 S *	9/2013	Mimlitch, III	.....	D21/578
D689,564 S *	9/2013	Mimlitch, III	.....	D21/578
D700,661 S *	3/2014	Mimlitch, III	.....	D21/578
D825,685 S *	8/2018	Tompkin	.....	D21/550
10,399,616 B2 *	9/2019	Ellerman	.....	A63H 33/26
D861,737 S *	10/2019	Hori	.....	D15/23
2015/0224640 A1 *	8/2015	Vu	.....	B25J 5/007 700/259

\* cited by examiner

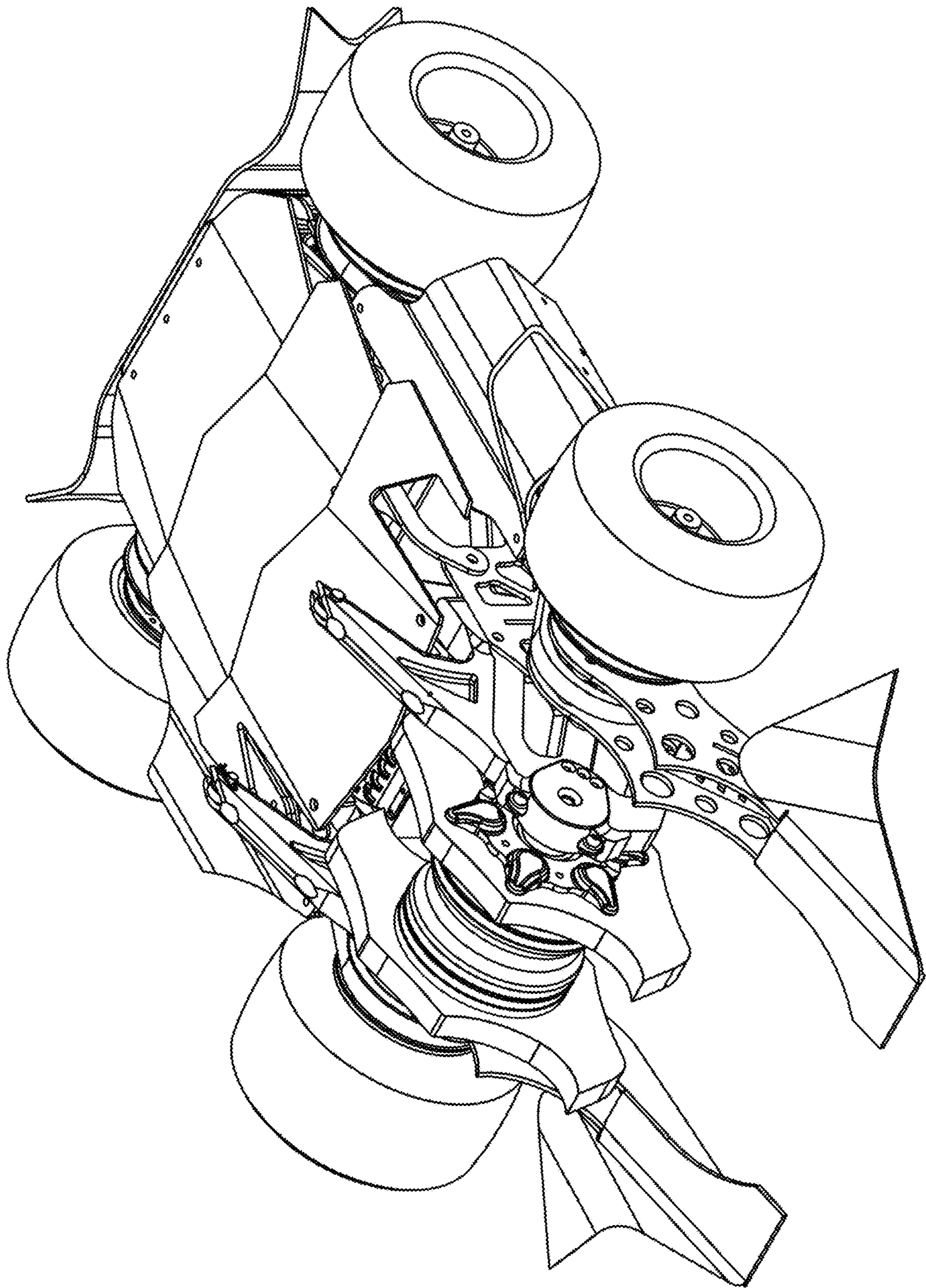


FIG. 1

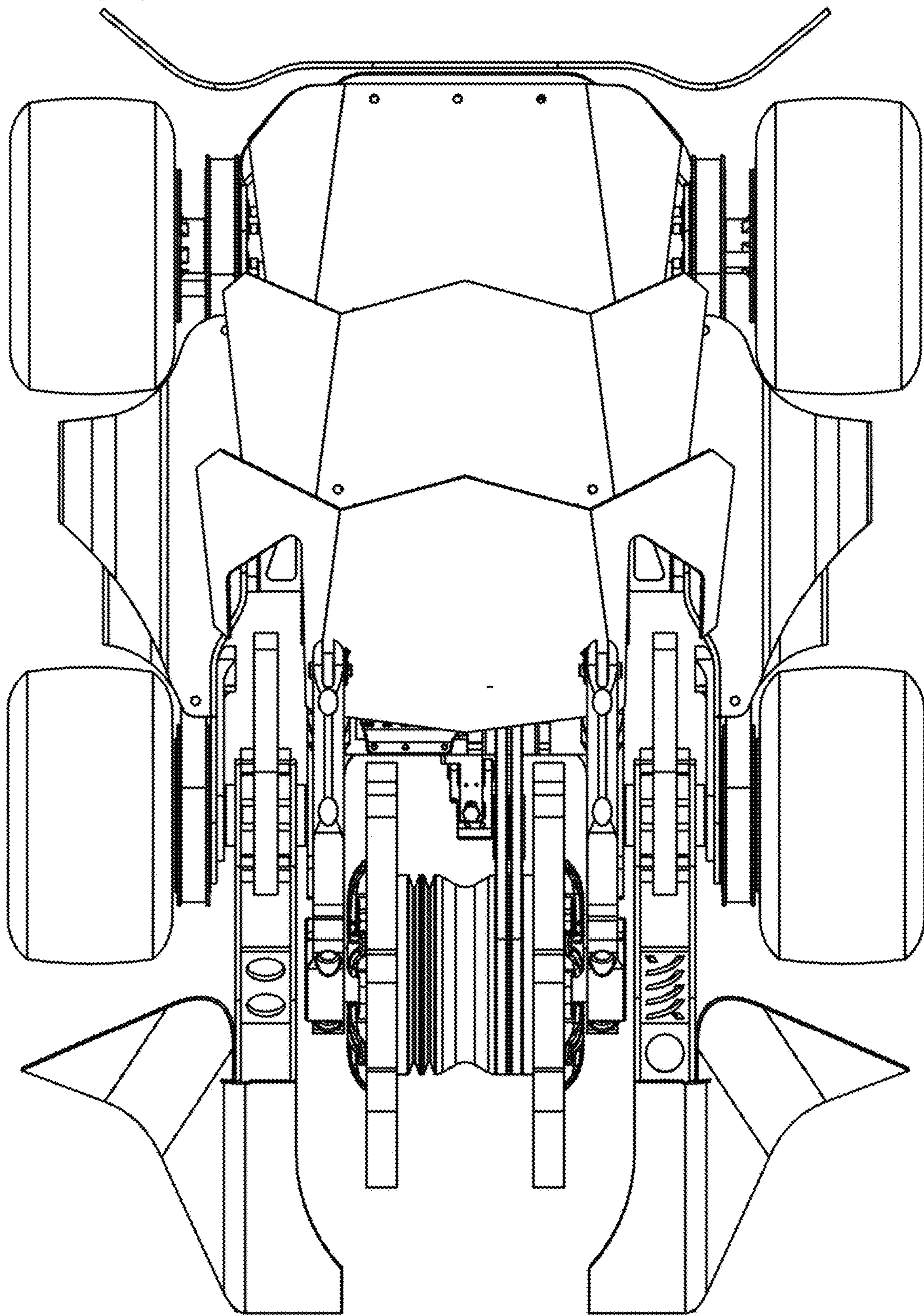


FIG. 2

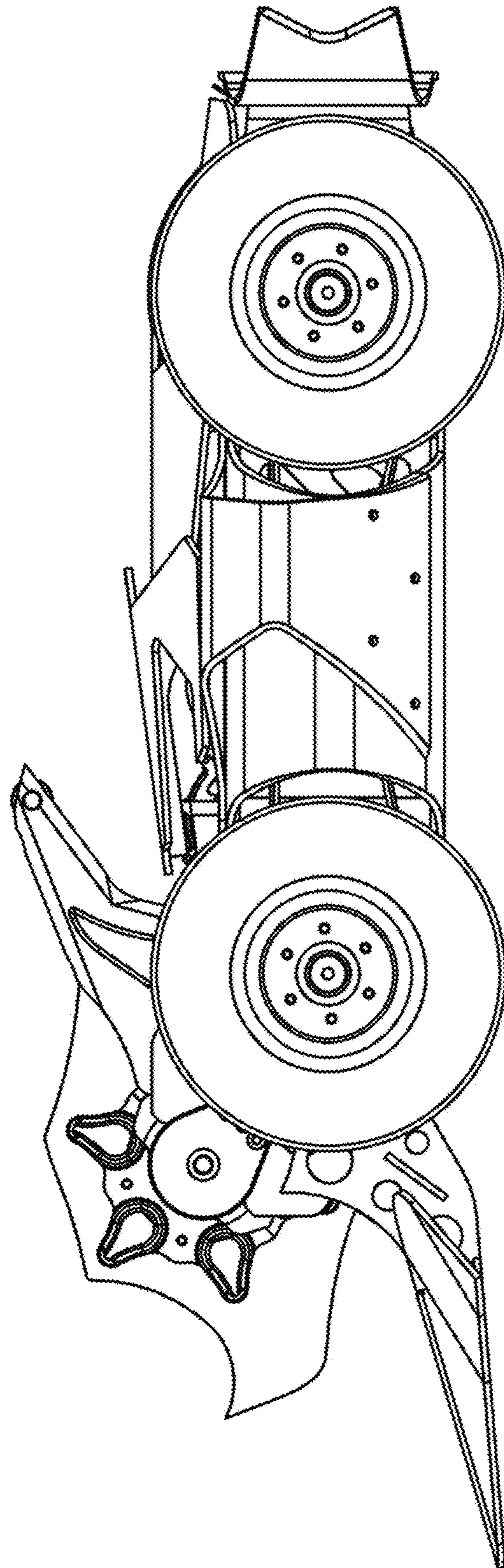


FIG. 3

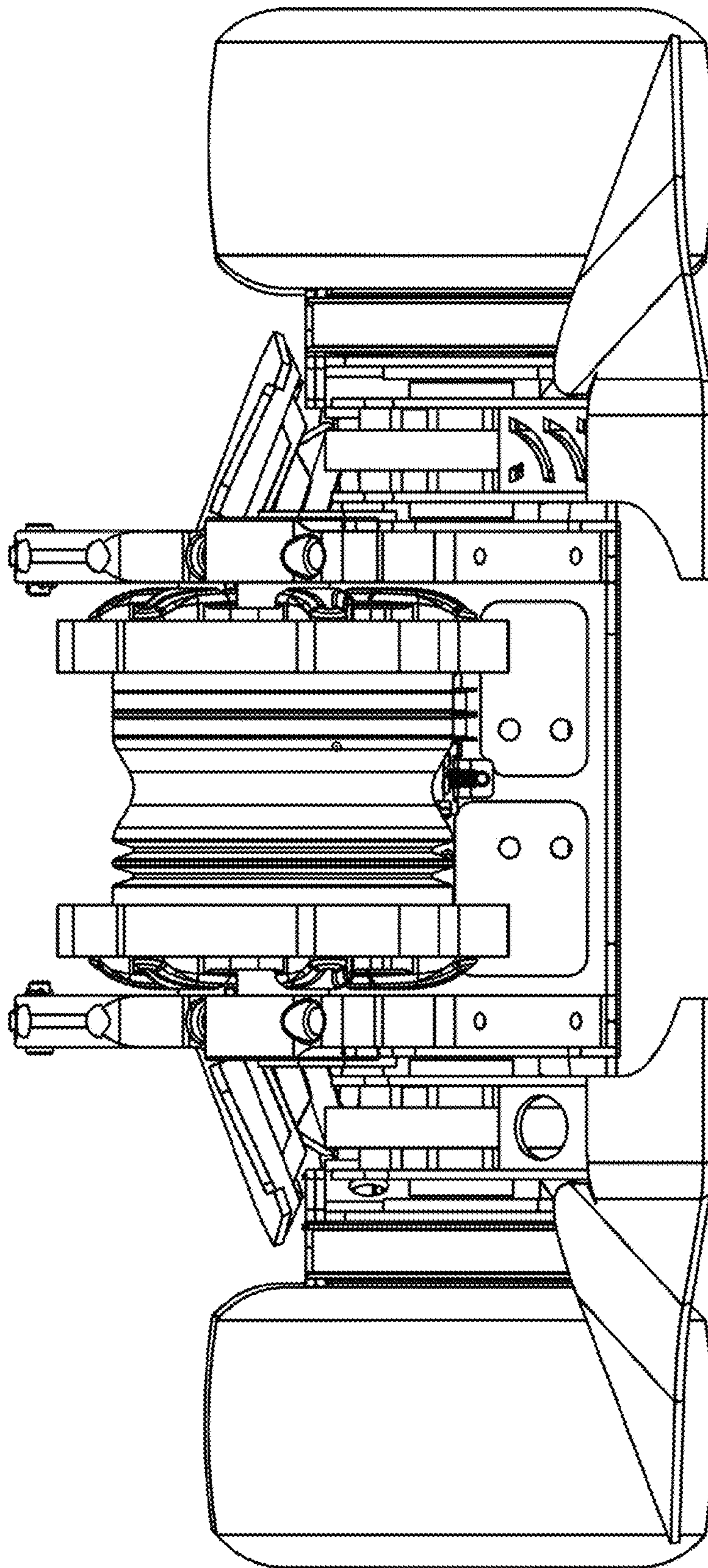


FIG. 4

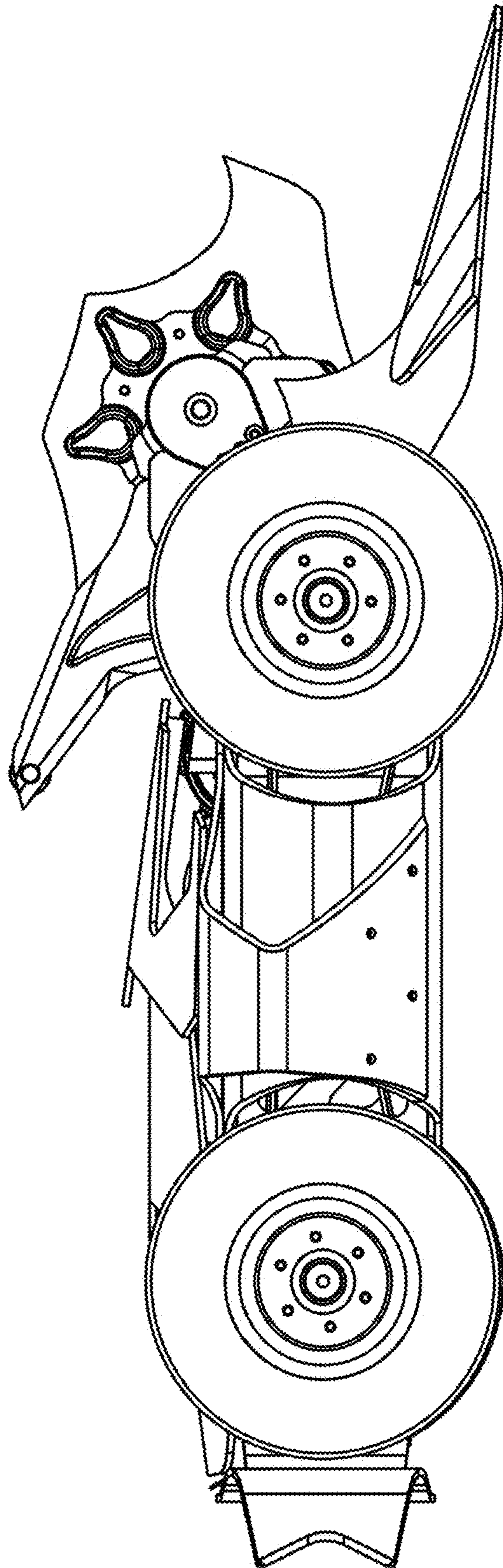


FIG. 5

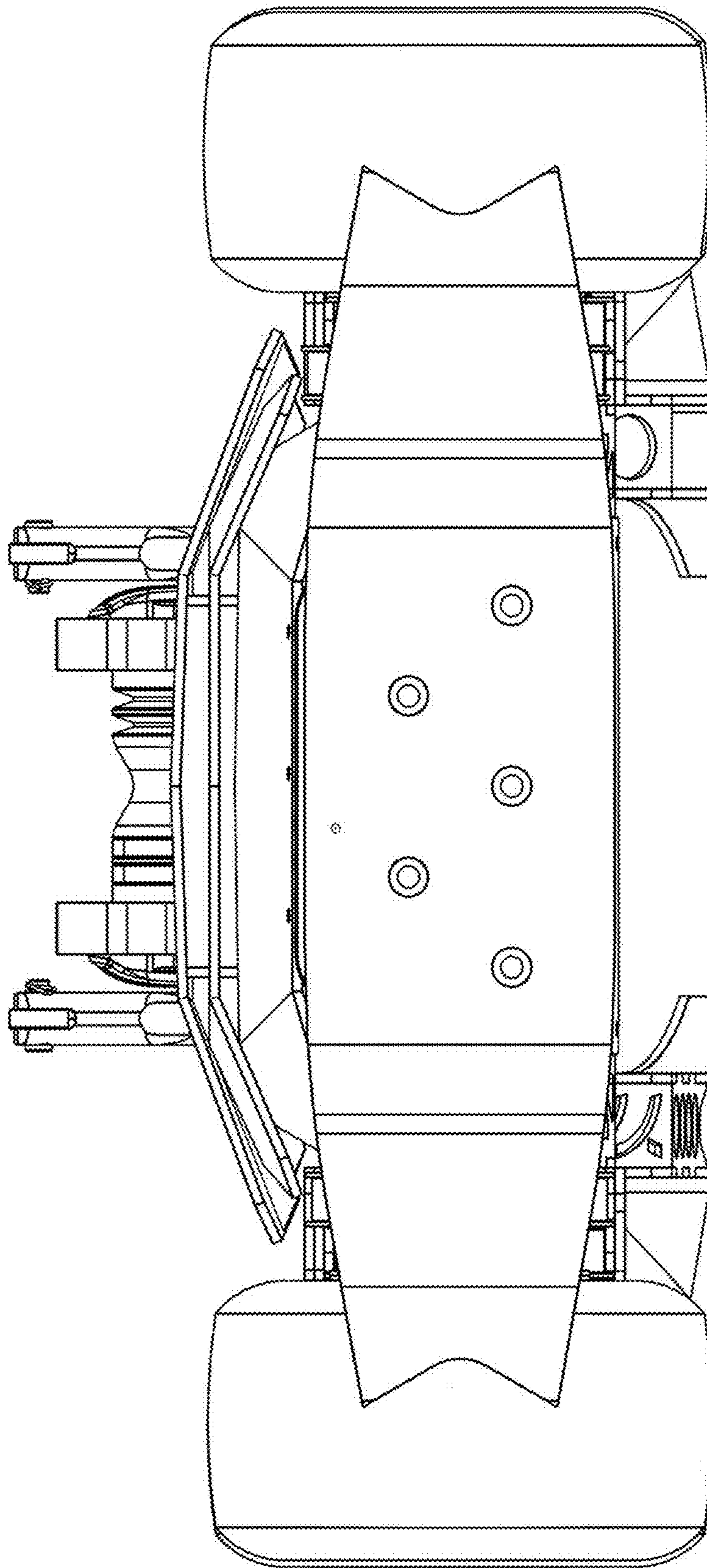


FIG. 6



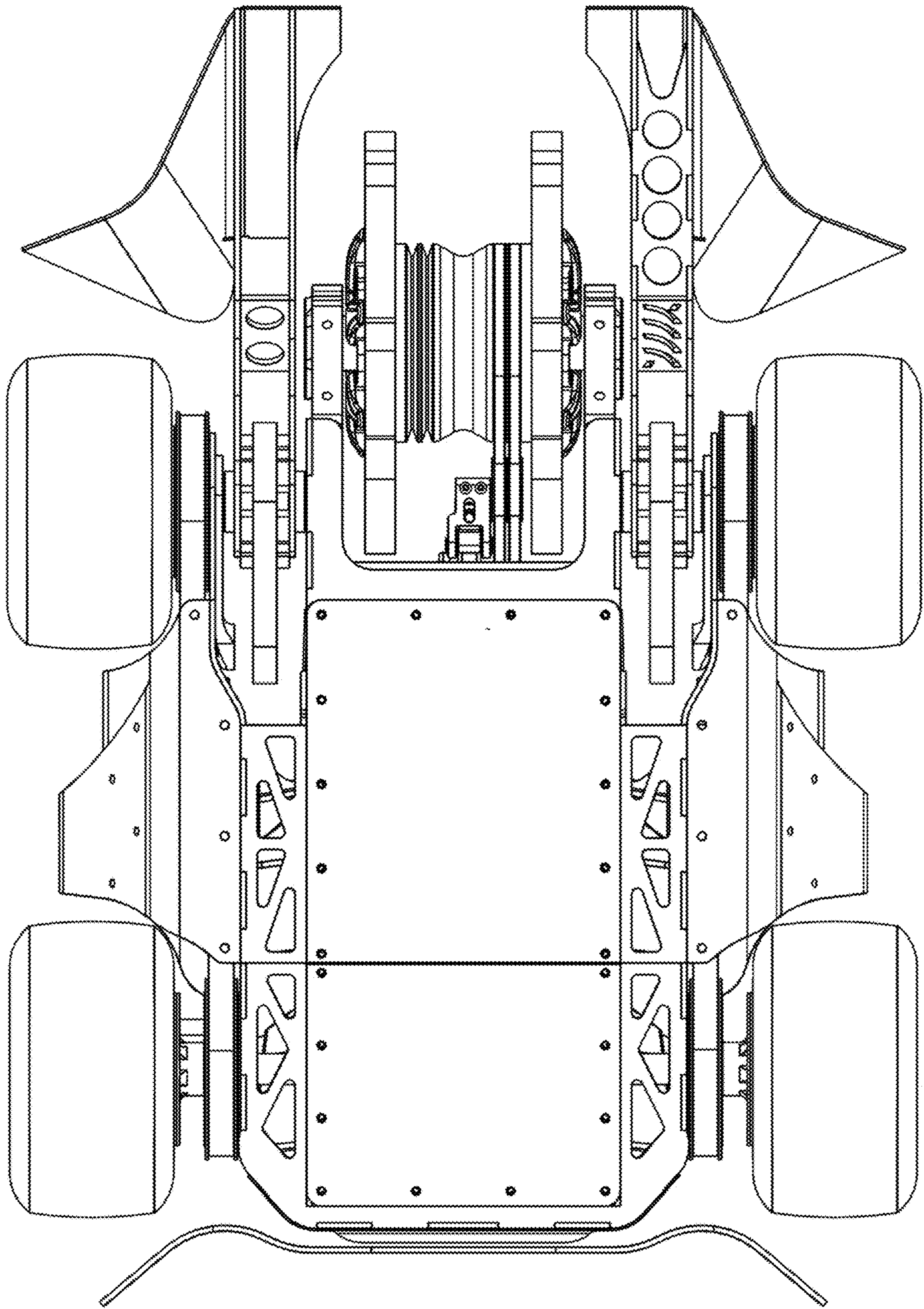


FIG. 7

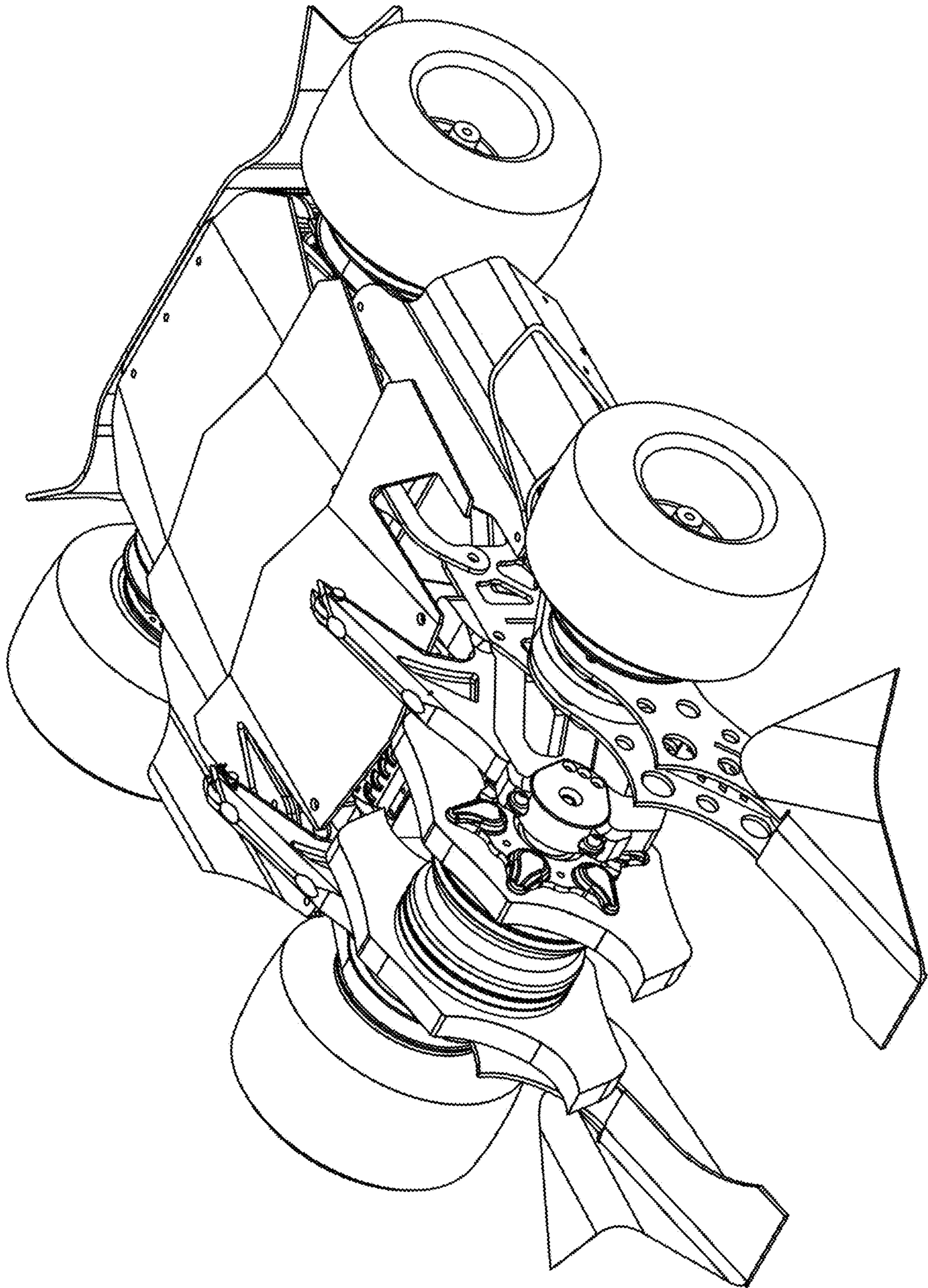


FIG. 8

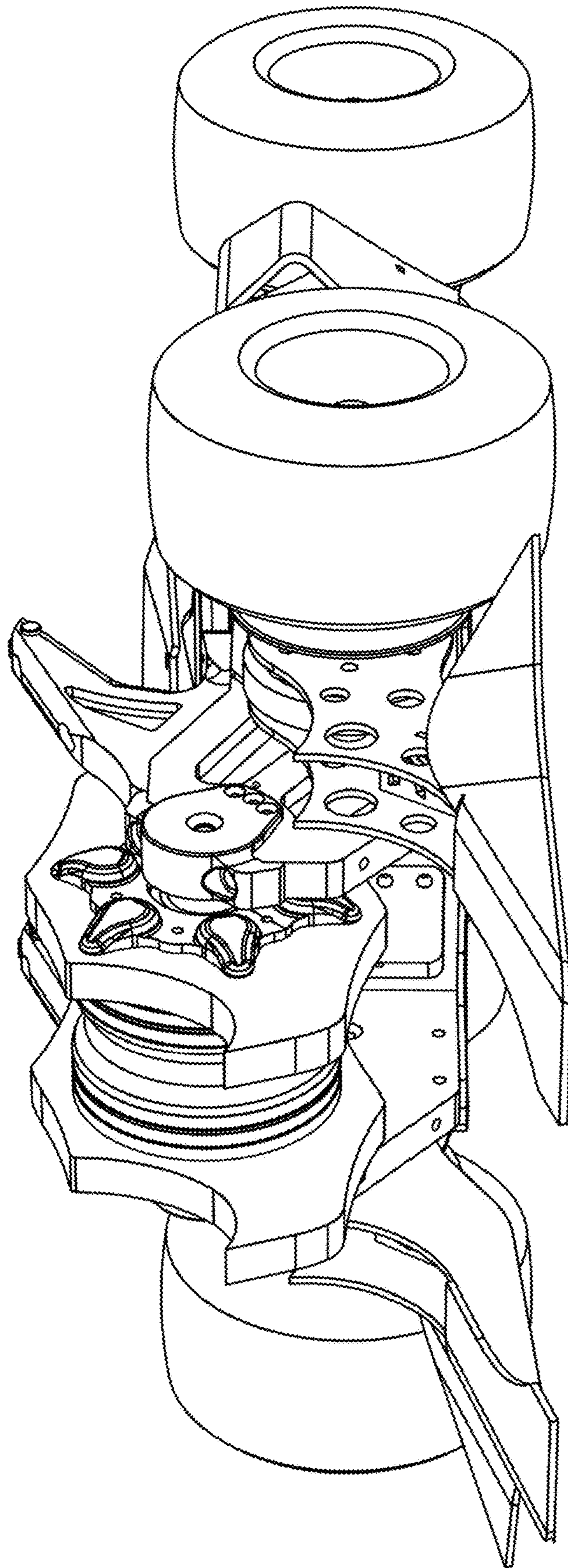


FIG. 9

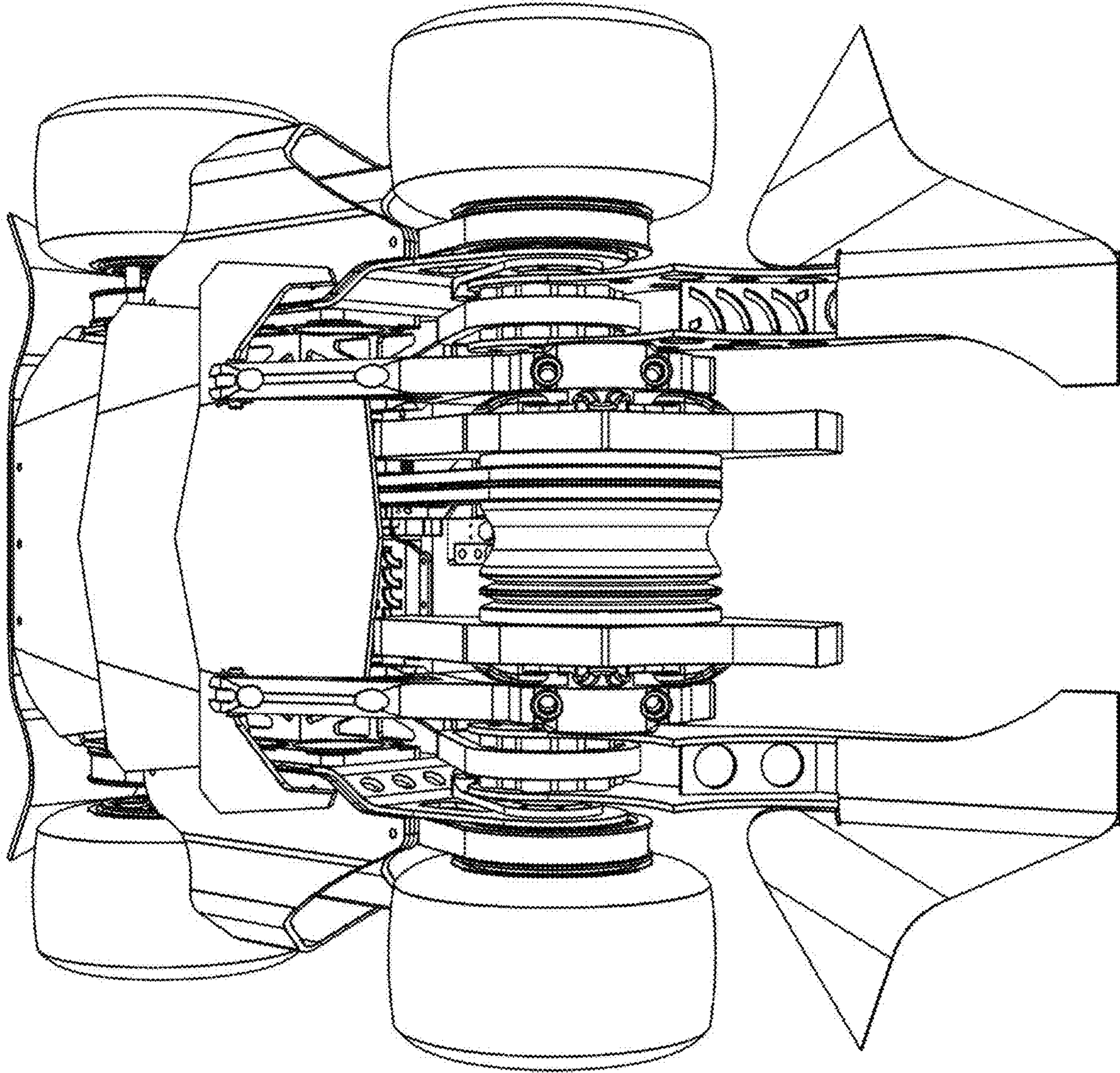


FIG. 10

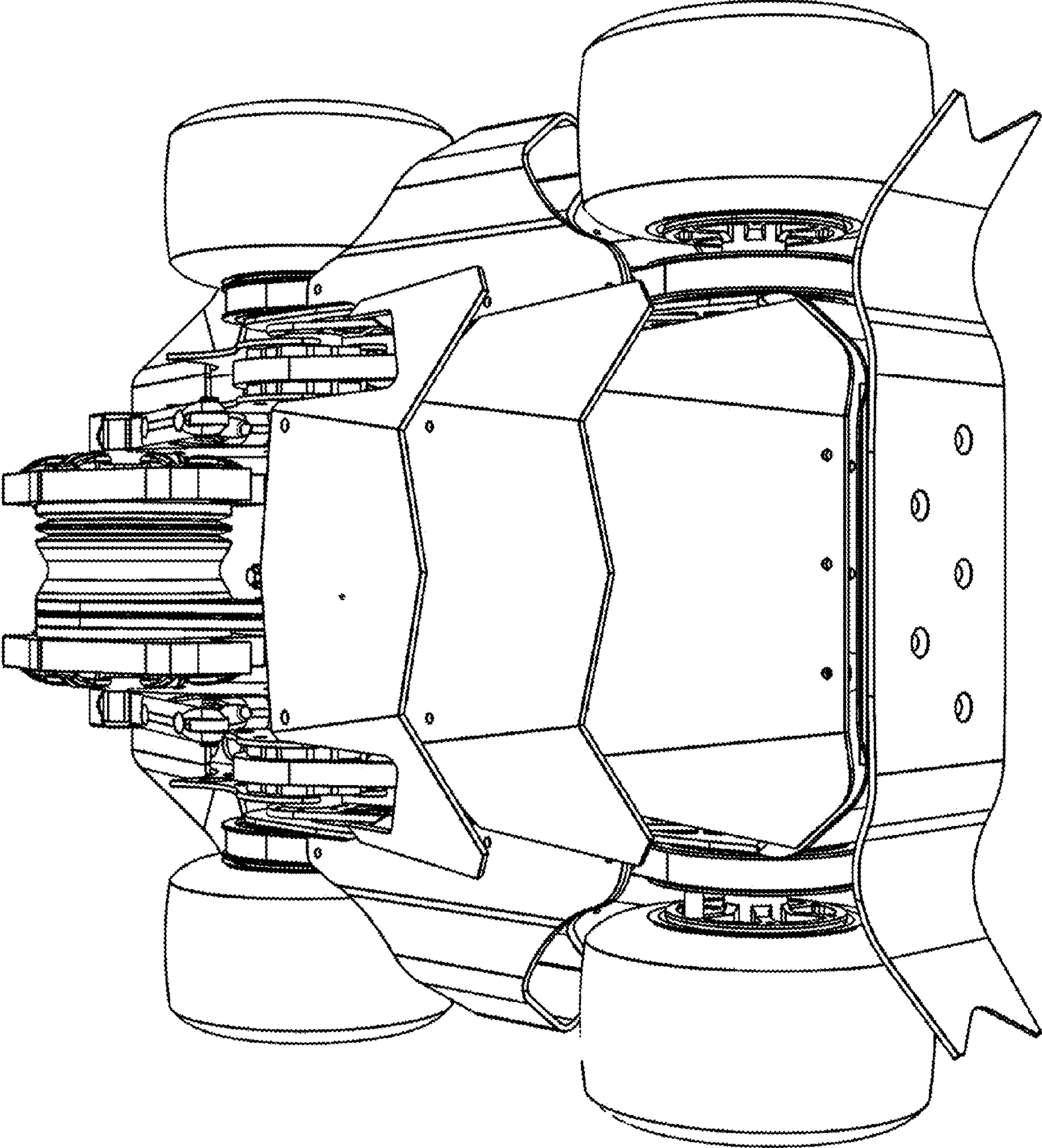


FIG. 11

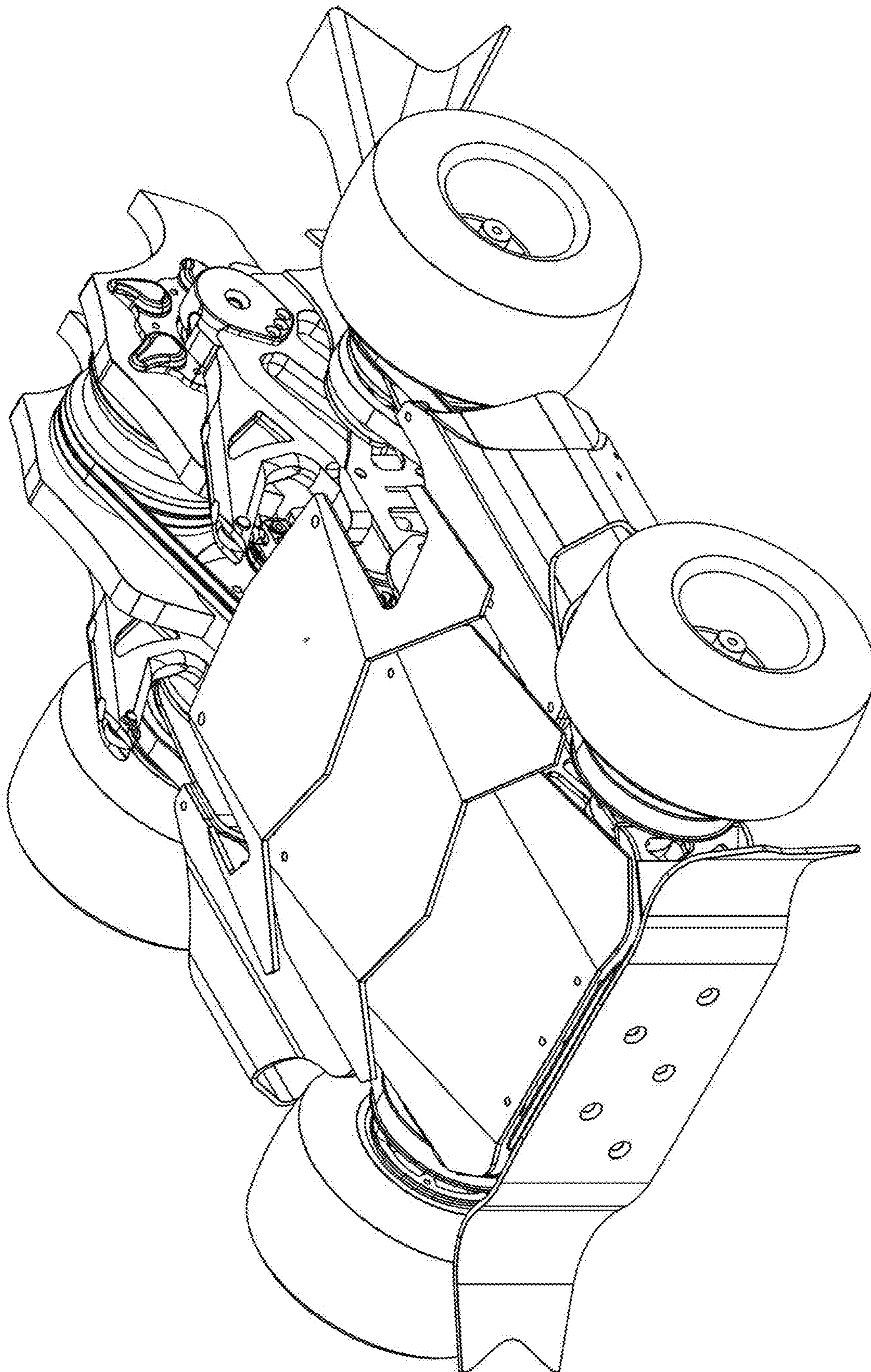


FIG. 12