



US00D923676S

(12) **United States Design Patent**
Kim et al.

(10) **Patent No.:** **US D923,676 S**
(45) **Date of Patent:** **** Jun. 29, 2021**

(54) **CUTTING INSERT**
(71) Applicant: **Korloy Inc.**, Seoul (KR)
(72) Inventors: **Young Heum Kim**, Cheongju-si (KR);
Ki Chan Nam, Cheongju-si (KR); **Min Seok Oh**, Cheongju-si (KR); **Hyo San Kim**, Cheongju-si (KR); **Nam Seon Lee**, Cheongju-si (KR)
(**) Term: **15 Years**
(21) Appl. No.: **35/508,877**
(22) Filed: **Jan. 20, 2020**
(80) **Hague Agreement Data**
Int. Filing Date: **Jan. 20, 2020**
Int. Reg. No.: **DM/206568**
Int. Reg. Date: **Jan. 20, 2020**
Int. Reg. Pub. Date: **Mar. 27, 2020**

5,145,295 A * 9/1992 Satran B23C 5/2213
407/113
5,207,538 A * 5/1993 Satran B23C 5/2213
407/113
D342,269 S * 12/1993 Arai D15/139
D344,276 S * 2/1994 Markusson D15/139
D345,984 S * 4/1994 Ishikawa D15/139
D345,985 S * 4/1994 Ishikawa D15/139
D355,661 S * 2/1995 Hessman D15/139
D357,692 S * 4/1995 Ishikawa D15/139
D376,158 S * 12/1996 Hessman D15/139
D381,026 S * 7/1997 Hessman D15/139
D409,633 S * 5/1999 Bernadic D15/139
D422,608 S * 4/2000 Malaker D15/139
D425,086 S * 5/2000 Bernadic D15/139
D488,175 S * 4/2004 Kasperik D15/139
7,168,512 B2 * 1/2007 Schuffenhauer B23C 5/207
175/426
D585,467 S * 1/2009 Takanashi D15/139
D589,542 S * 3/2009 Takanashi D15/139
D805,566 S * 12/2017 Oh D15/139
D816,133 S * 4/2018 Mura D15/139
D816,134 S * 4/2018 Mura D15/139
D826,664 S * 8/2018 Matsubara D8/20
D828,414 S * 9/2018 Takahashi D15/139

(Continued)

(30) **Foreign Application Priority Data**
Sep. 18, 2019 (KR) 30-2019-0044788
(51) **LOC (13) Cl.** **15-09**
(52) **U.S. Cl.**
USPC **D15/139**
CPC **B23C 5/06** (2013.01)
(58) **Field of Classification Search**
USPC D15/124-144; D8/20, 70, 90, 98;
409/139-140; 407/59, 114
CPC B23C 2200/0494; B23C 2200/086; B23C
2200/128; B23C 2200/362; B23C 5/15;
B23C 5/06; B23C 5/207; B23C 2200/367;
B23C 2200/0422; B23B 27/007; B23B
27/143; B23B 2200/321; B23B 2200/087
See application file for complete search history.

Primary Examiner — Richard E Chilcot
(74) *Attorney, Agent, or Firm* — Rabin & Berdo, P.C.

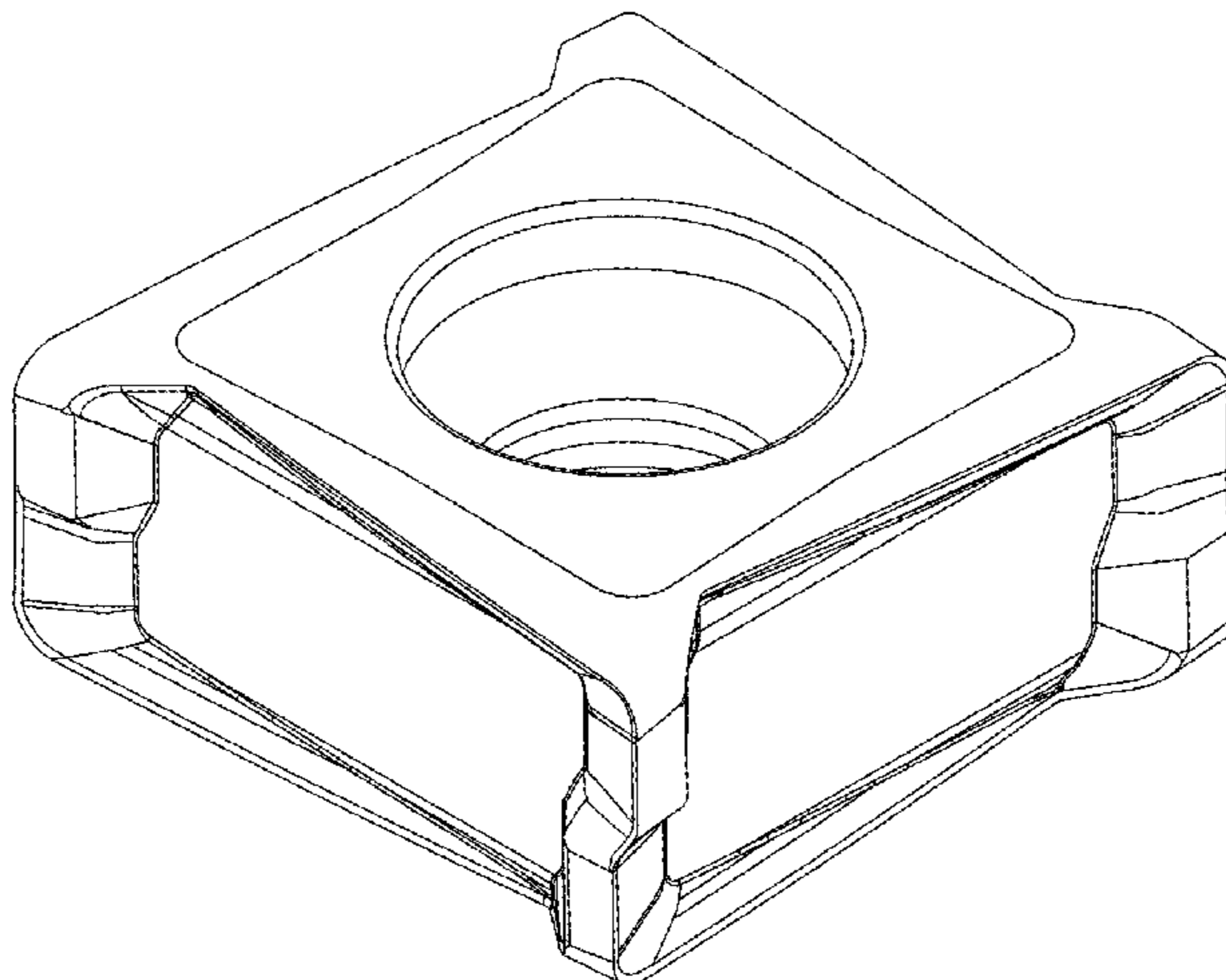
(56) **References Cited**
U.S. PATENT DOCUMENTS
D304,949 S * 12/1989 Niebauer D15/139
D305,239 S * 12/1989 Niebauer D15/139

(57) **CLAIM**
The ornamental design for a cutting insert, as shown and described.

DESCRIPTION

- 1. Cutting insert
- 1.1 : Perspective
- 1.2 : Front
- 1.3 : Back
- 1.4 : Top
- 1.5 : Bottom
- 1.6 : Left
- 1.7 : Right

1 Claim, 7 Drawing Sheets



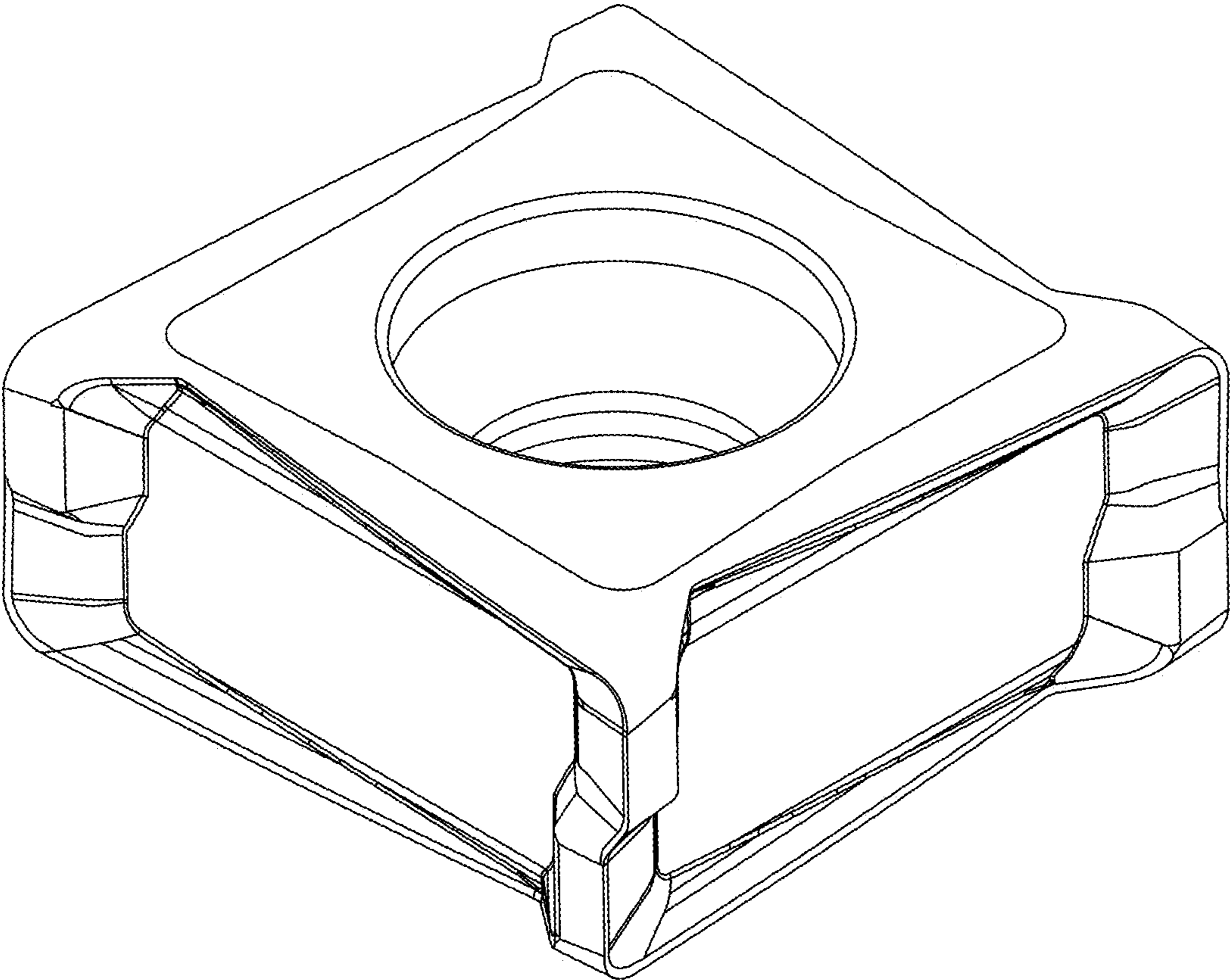
(56)

References Cited

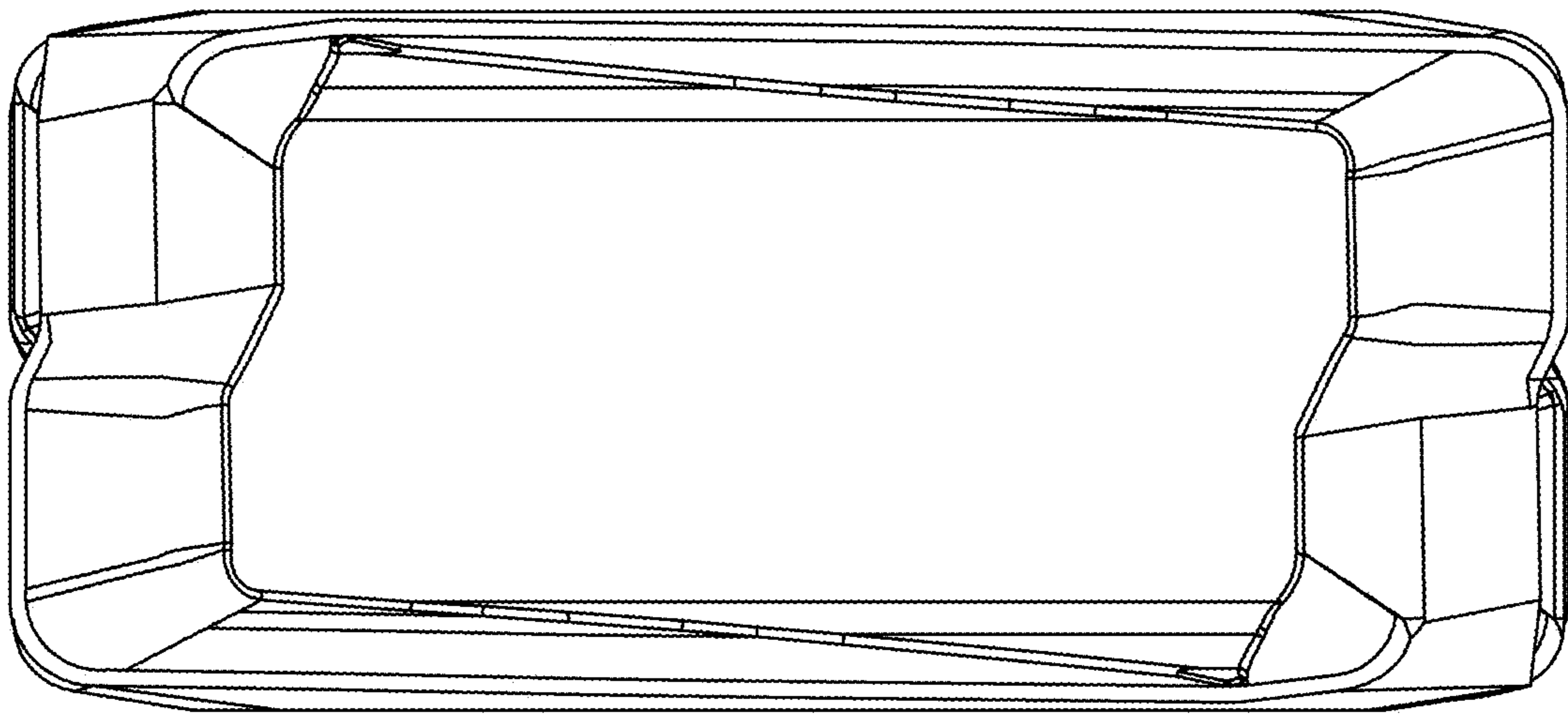
U.S. PATENT DOCUMENTS

D853,456 S *	7/2019	Aizawa	D15/138
D872,784 S *	1/2020	Inagaki	D15/139
D879,168 S *	3/2020	Zhao	D15/139
2015/0202697 A1 *	7/2015	Shiota	B23C 5/109 407/42
2015/0246398 A1 *	9/2015	Kawasaki	B23B 27/141 408/231

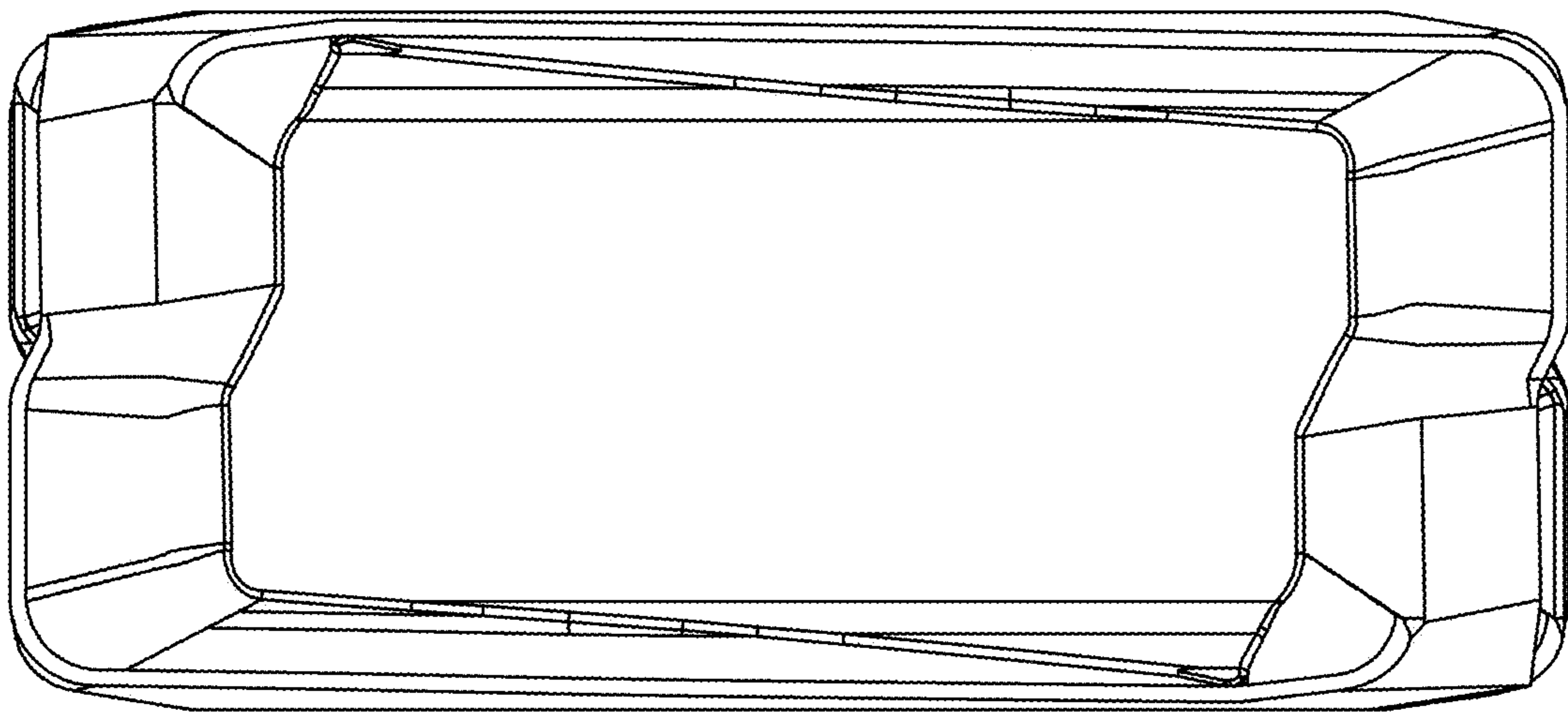
* cited by examiner



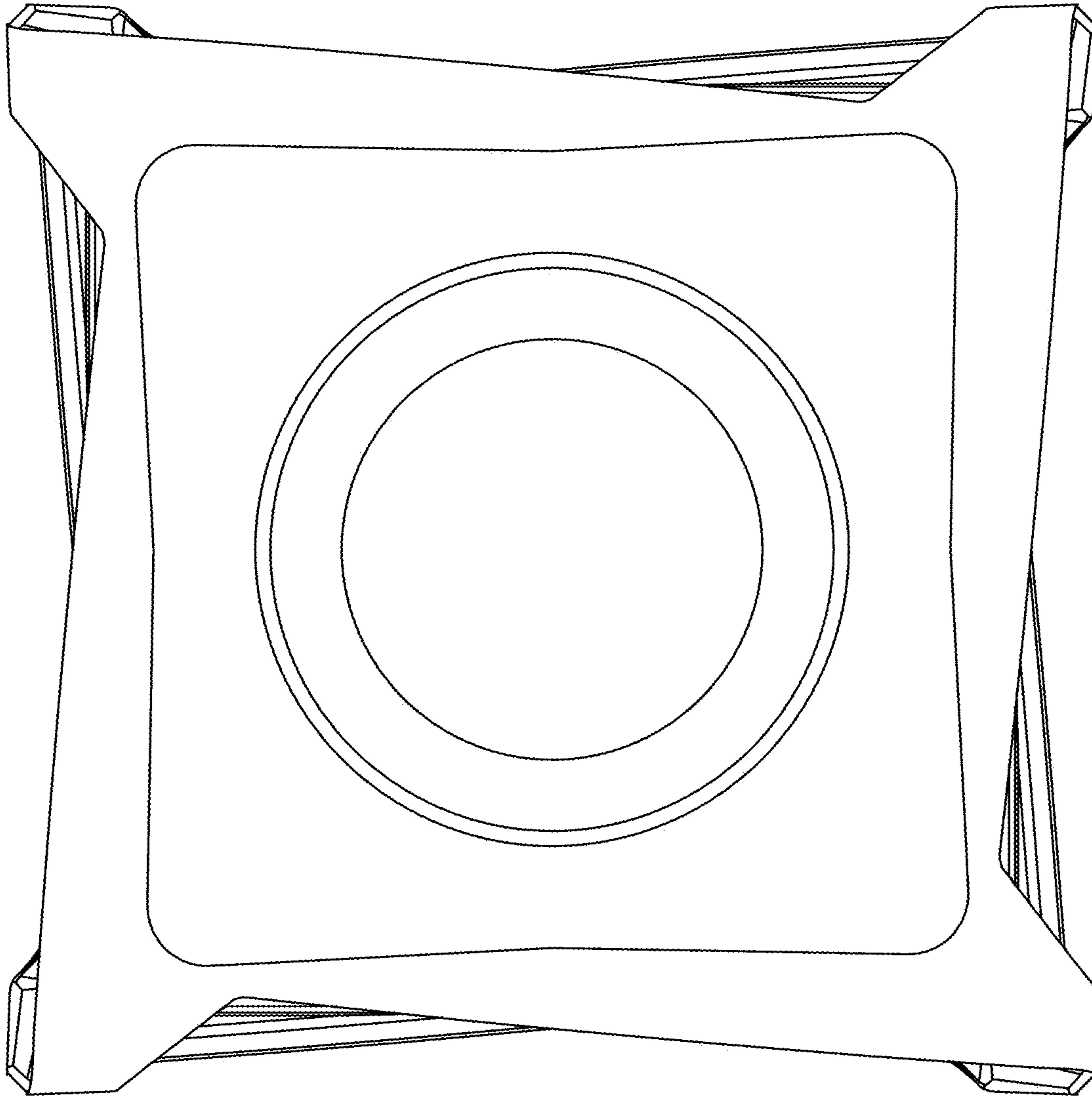
1.1



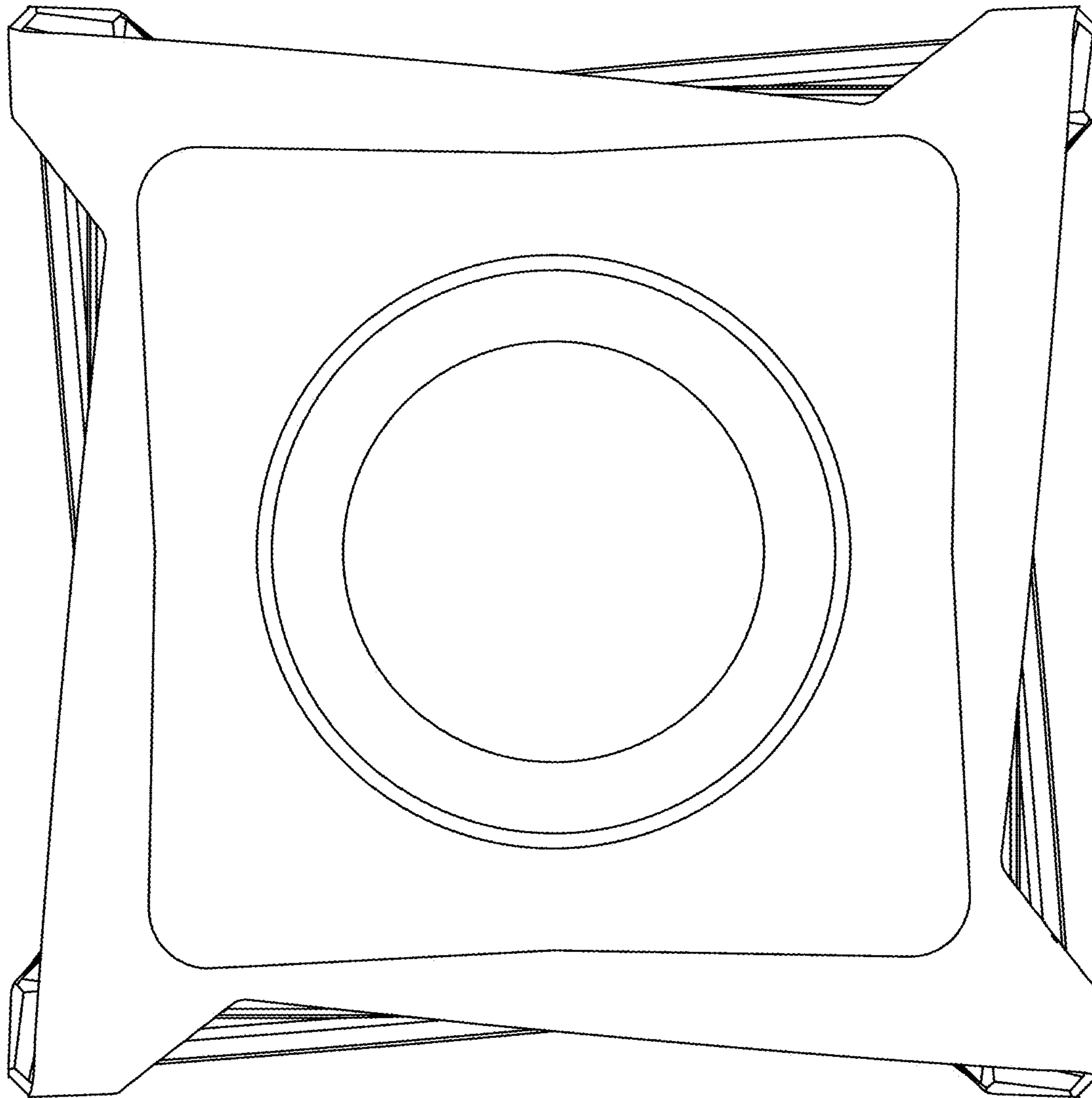
1.2



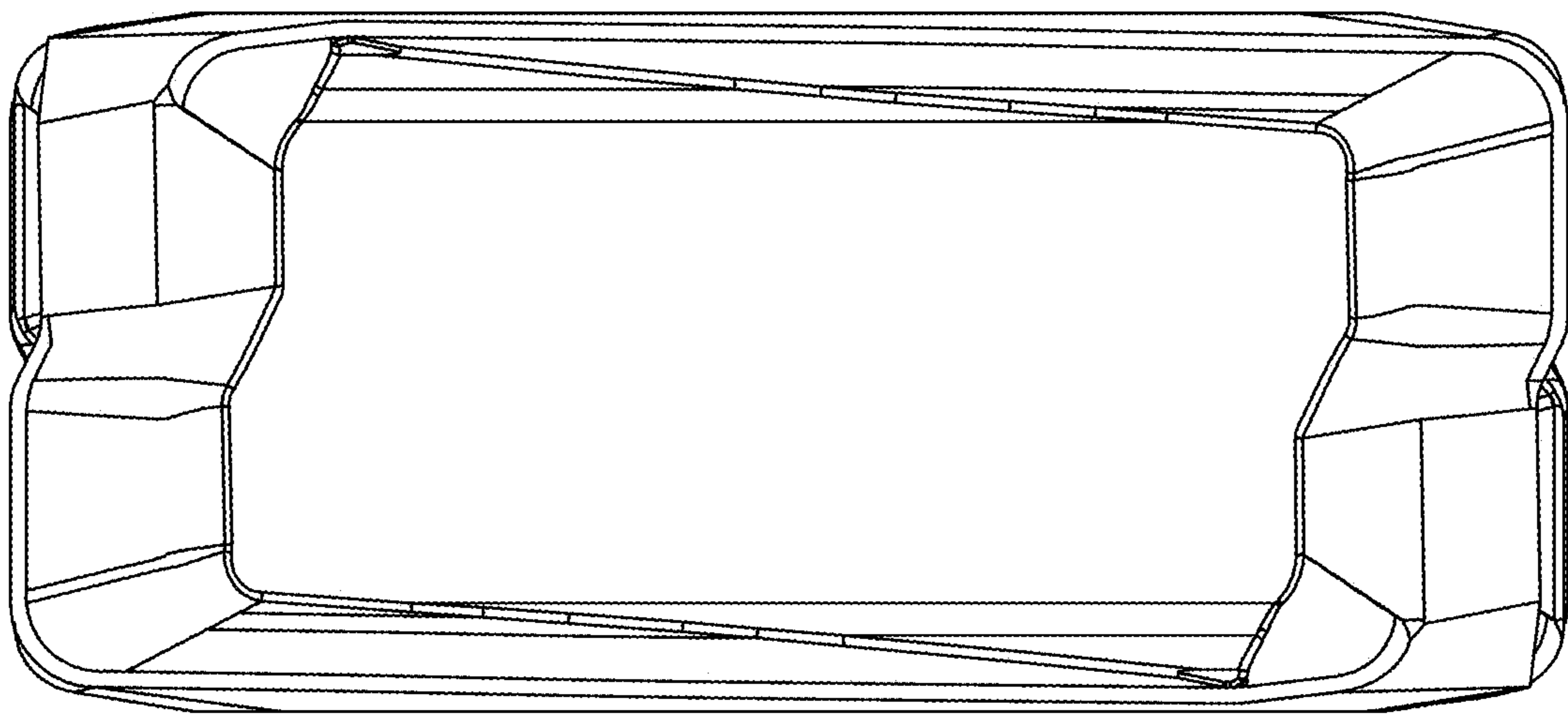
1.3



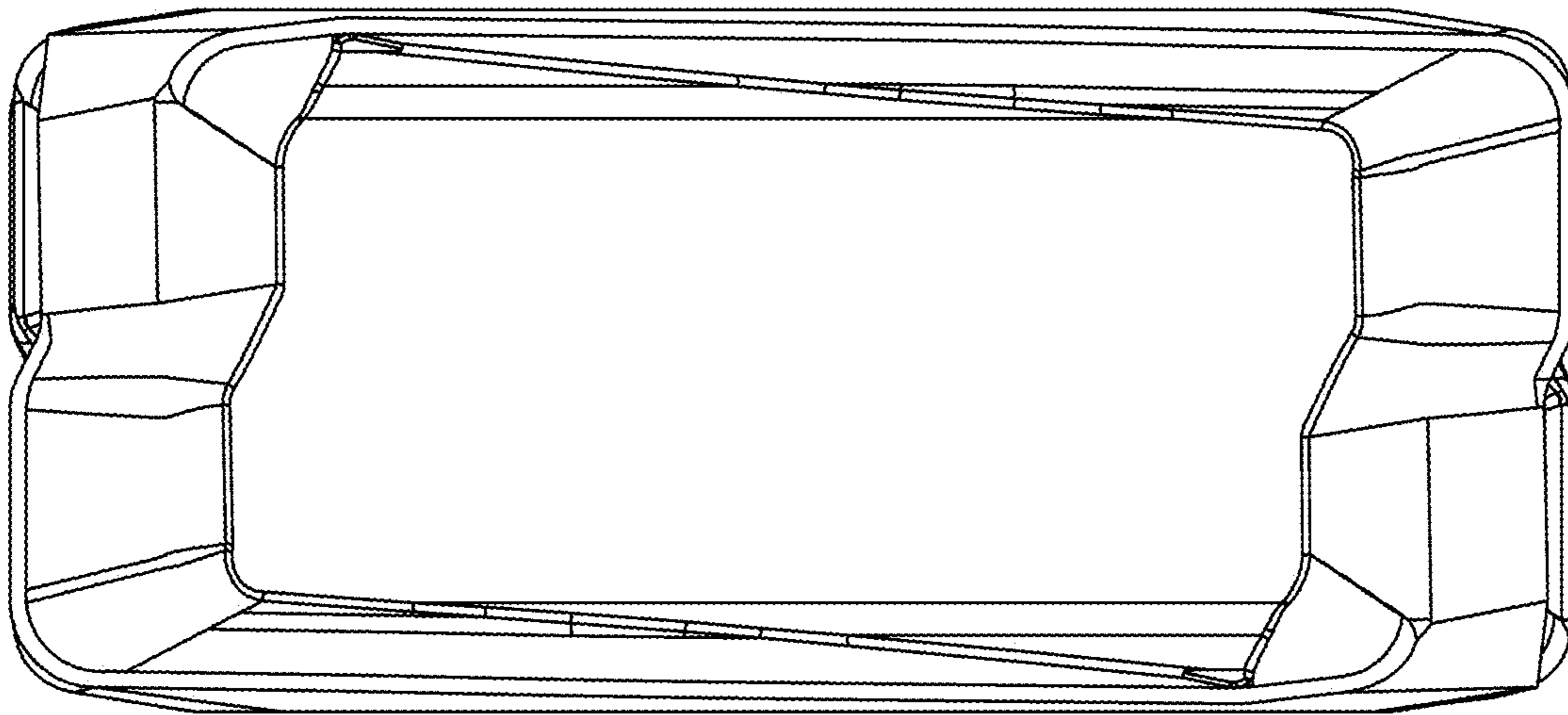
1.4



1.5



1.6



1.7