



US00D923675S

(12) **United States Design Patent**  
**Yan et al.**

(10) **Patent No.:** **US D923,675 S**  
(45) **Date of Patent:** **\*\* Jun. 29, 2021**

(54) **HEAD FOR END MILL**  
(71) Applicant: **CONPROFE TECHNOLOGY GROUP CO., LTD.**, Guangdong (CN)  
(72) Inventors: **Bingjiang Yan**, Guangdong (CN); **Weiqiu Li**, Guangdong (CN); **Guoli Zhang**, Guangdong (CN)  
(73) Assignee: **CONPROFE TECHNOLOGY GROUP CO., LTD.**, Guangdong (CN)

5,899,642 A \* 5/1999 Berglow ..... B23B 31/11 407/40  
6,241,433 B1 \* 6/2001 Rydberg ..... B23B 31/11 408/233  
D492,331 S \* 6/2004 Matti ..... D15/139  
D514,131 S \* 1/2006 Brady ..... D15/139  
D533,202 S \* 12/2006 Yanagimoto ..... D15/139  
D553,169 S \* 10/2007 Sakata ..... D15/139  
D555,683 S \* 11/2007 Sakata ..... D15/139  
D556,225 S \* 11/2007 Sakata ..... D15/139  
D662,529 S \* 6/2012 Kirby ..... D15/139  
D686,896 S \* 7/2013 Guelat ..... D8/70  
D775,676 S \* 1/2017 Matti ..... D15/139  
2013/0101367 A1 \* 4/2013 Mundt ..... B23F 1/06 409/26  
2019/0120005 A1 \* 4/2019 Hulsewe ..... E21B 29/06

(\*\*) Term: **15 Years**

(21) Appl. No.: **29/727,424**

(22) Filed: **Mar. 11, 2020**

(51) **LOC (13) Cl.** ..... **15-09**

(52) **U.S. Cl.**  
USPC ..... **D15/139**

(58) **Field of Classification Search**  
USPC ..... D8/70, 71, 20; D15/28, 126, 131, 132, D15/138, 139, 21  
CPC ..... B23B 51/02; B23B 51/048; E01C 23/088; Y10T 407/23  
See application file for complete search history.

(56) **References Cited**

**U.S. PATENT DOCUMENTS**

D100,236 S \* 6/1936 Warner ..... D15/126  
D183,237 S \* 7/1958 Aven, Jr. .... D15/139  
3,754,832 A \* 8/1973 Stickler ..... B23B 5/167 408/227  
4,324,300 A \* 4/1982 Logan, Jr. .... E21B 10/006 175/379  
D307,020 S \* 4/1990 Lyng ..... D15/139  
D308,874 S \* 6/1990 Tsujimura ..... 407/40  
D309,317 S \* 7/1990 Tsujimura ..... 407/40  
D338,213 S \* 8/1993 Witt ..... D15/139  
D340,248 S \* 10/1993 Brady ..... D15/139

\* cited by examiner

*Primary Examiner* — Patricia A Palasik

(74) *Attorney, Agent, or Firm* — JCIP Global Inc.

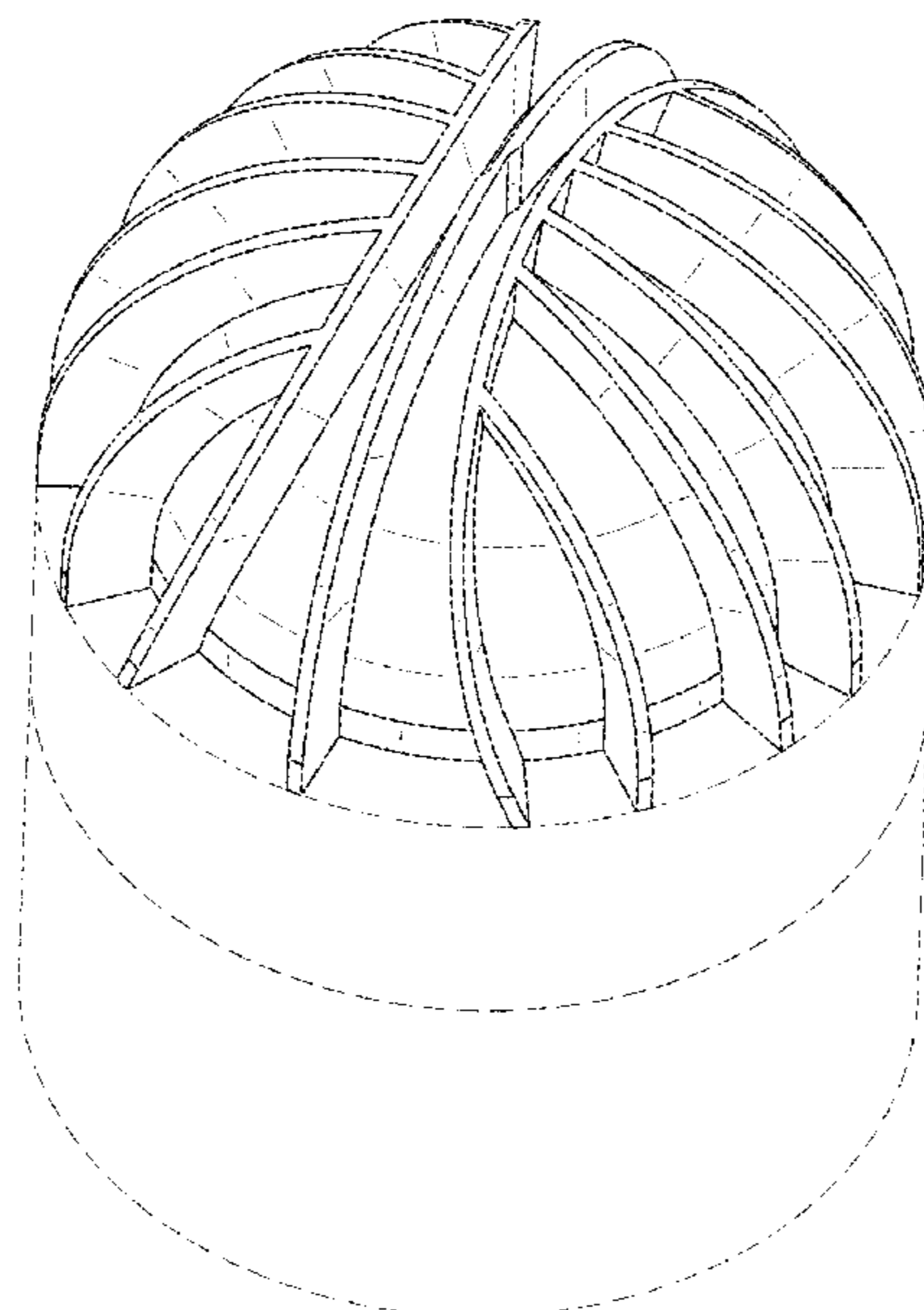
(57) **CLAIM**

The ornamental design for a head for end mill, as shown and described.

**DESCRIPTION**

FIG. 1 is a perspective view of a head for end mill showing our new design;  
FIG. 2 is another perspective view thereof;  
FIG. 3 is still another perspective view thereof;  
FIG. 4 is a front view thereof;  
FIG. 5 is a rear view thereof;  
FIG. 6 is a left side view thereof;  
FIG. 7 is a right side view thereof; and  
FIG. 8 is a top view thereof;  
FIG. 9 is a bottom view thereof; and,  
FIG. 10 is a cross-sectional view taken along line 10-10 in FIG. 4.  
The dashed broken lines illustrate portions of the head for end mill that form no part of the claimed design.

**1 Claim, 10 Drawing Sheets**



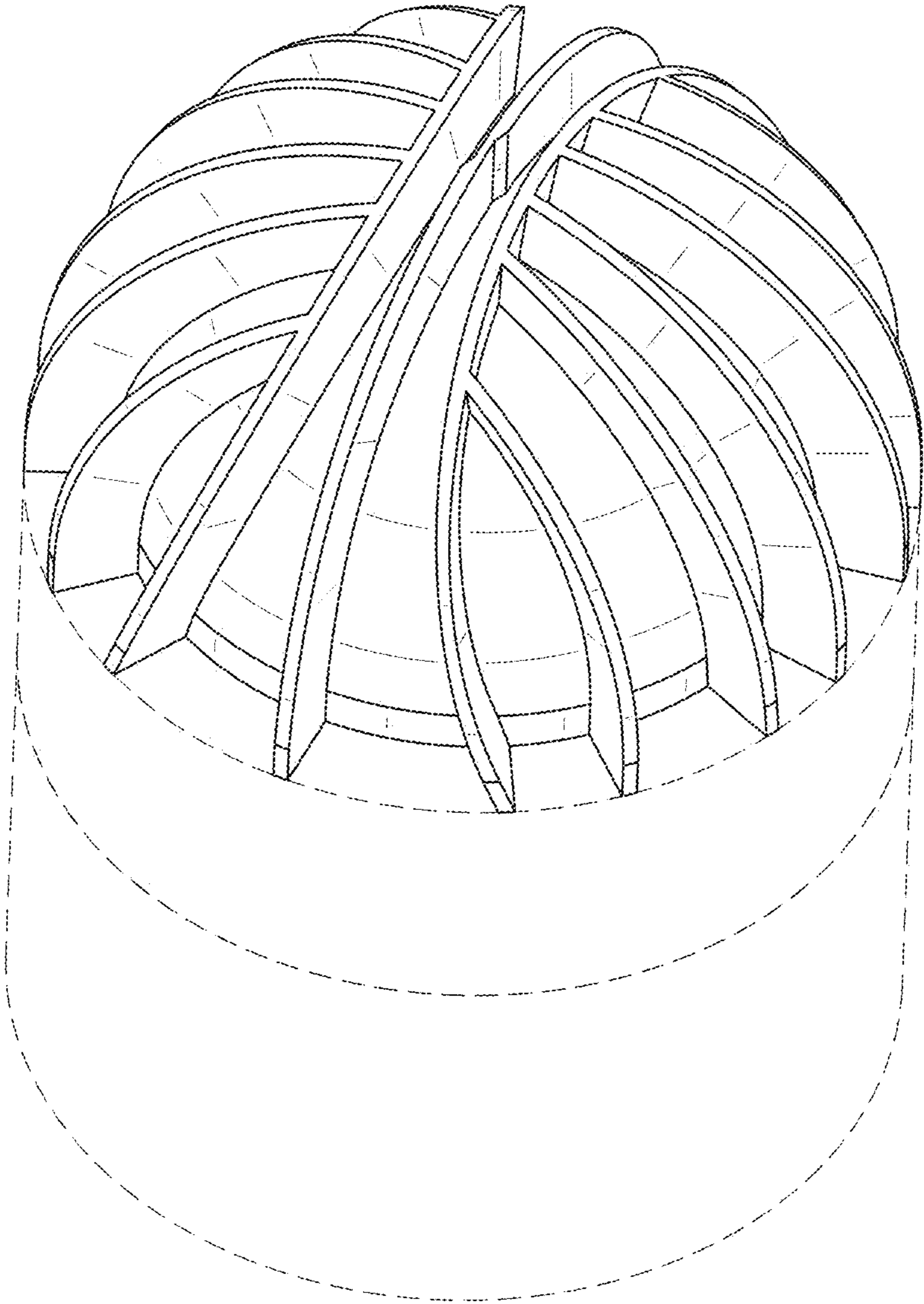


FIG. 1

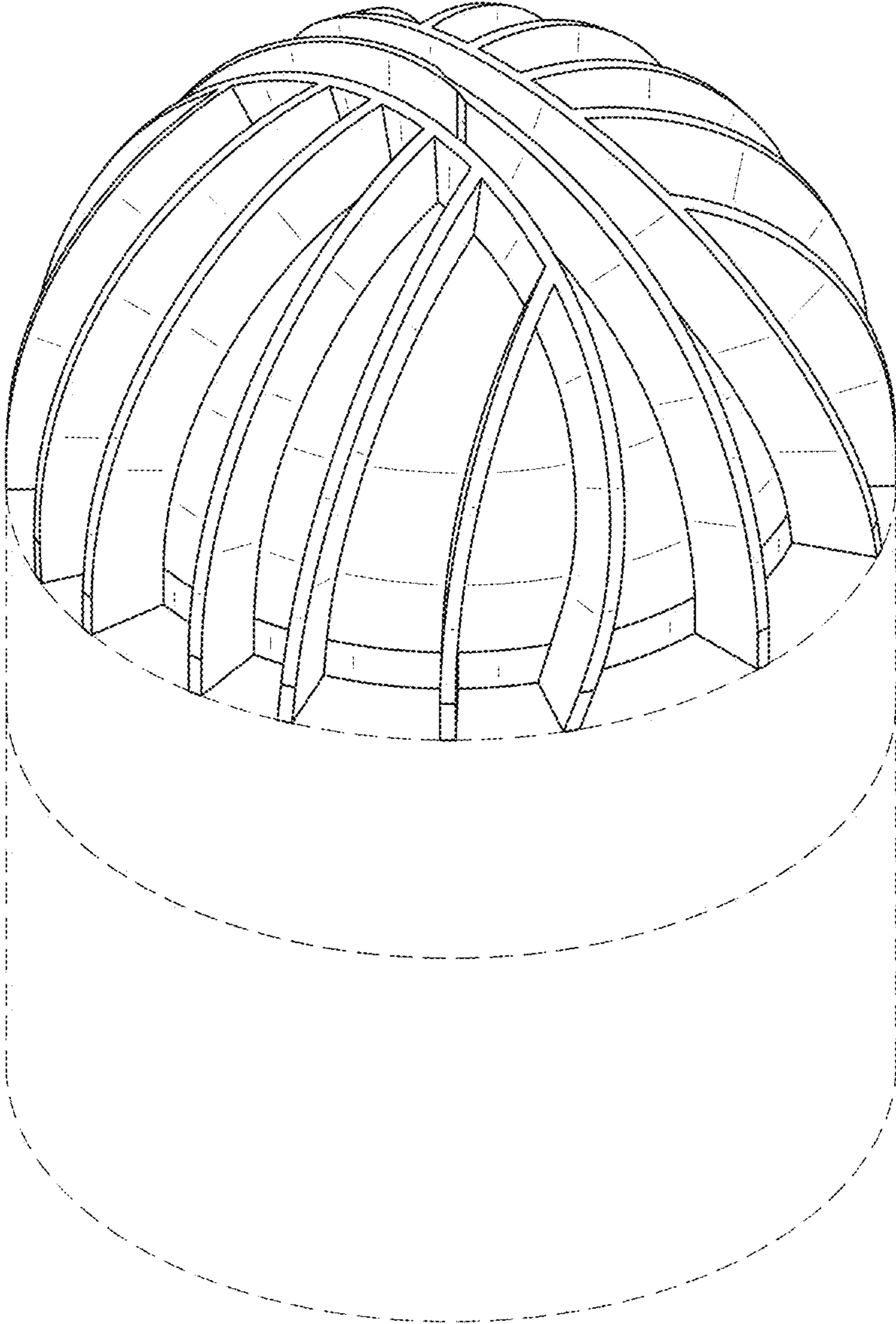


FIG. 2

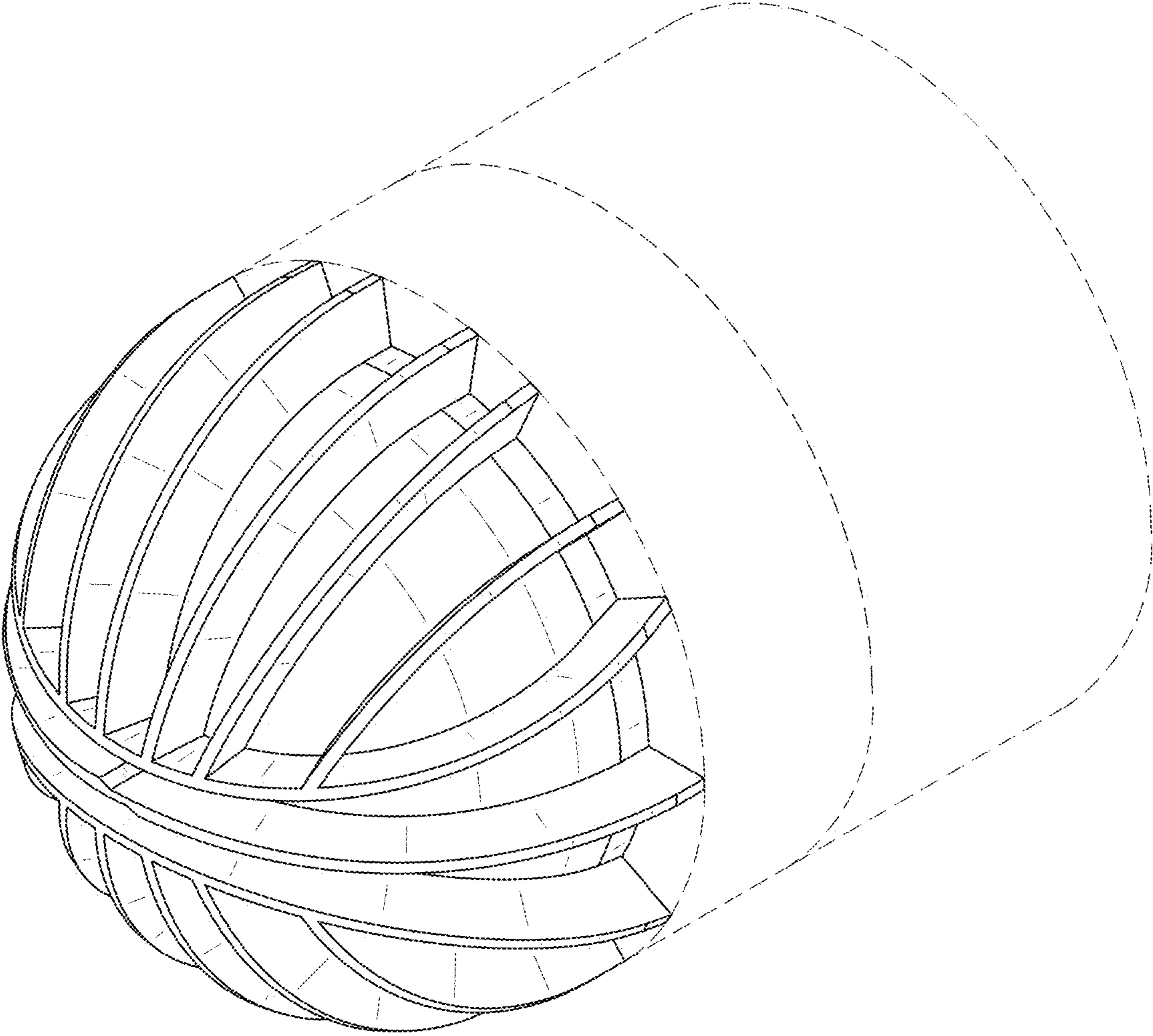


FIG. 3

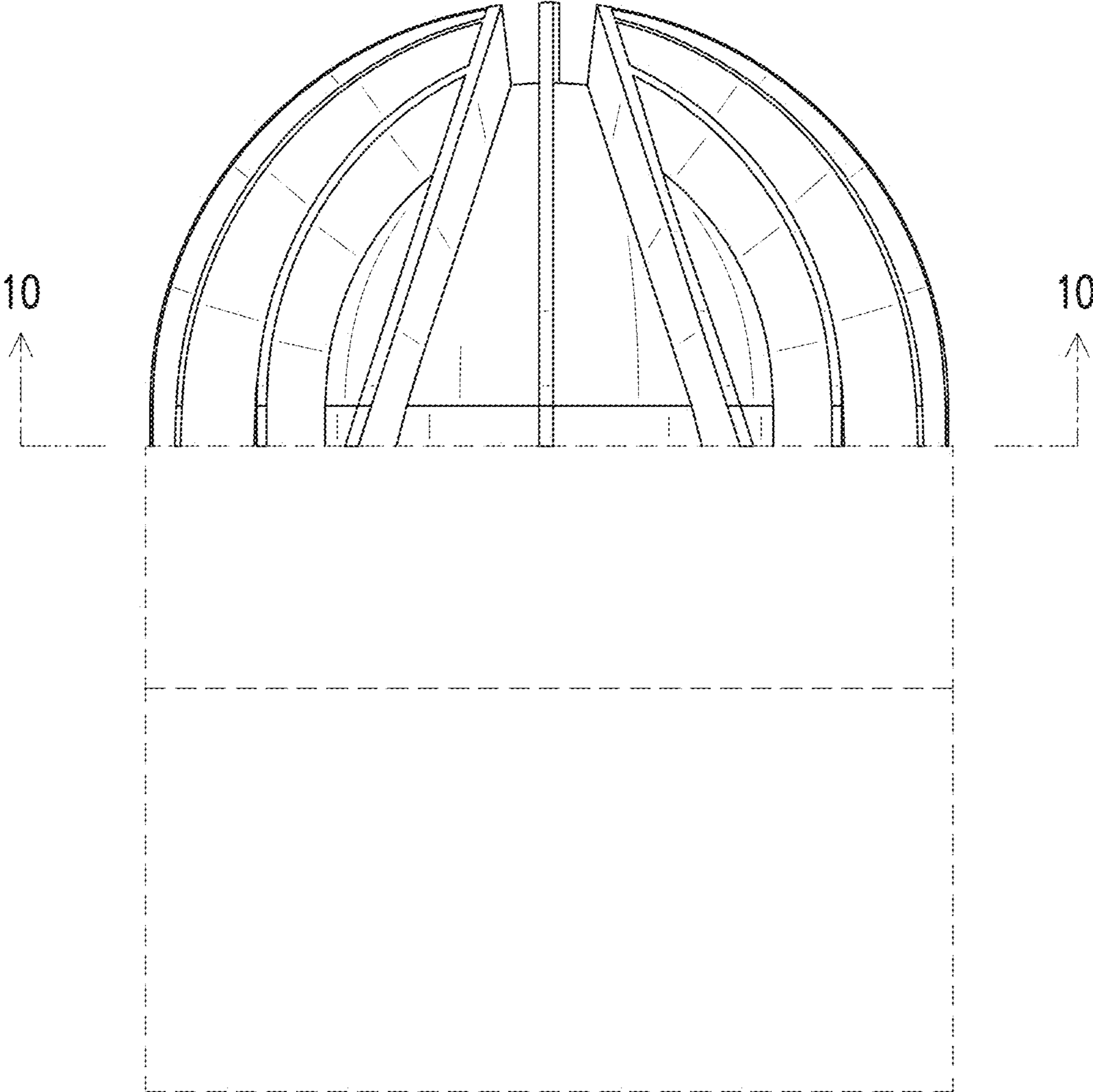


FIG. 4

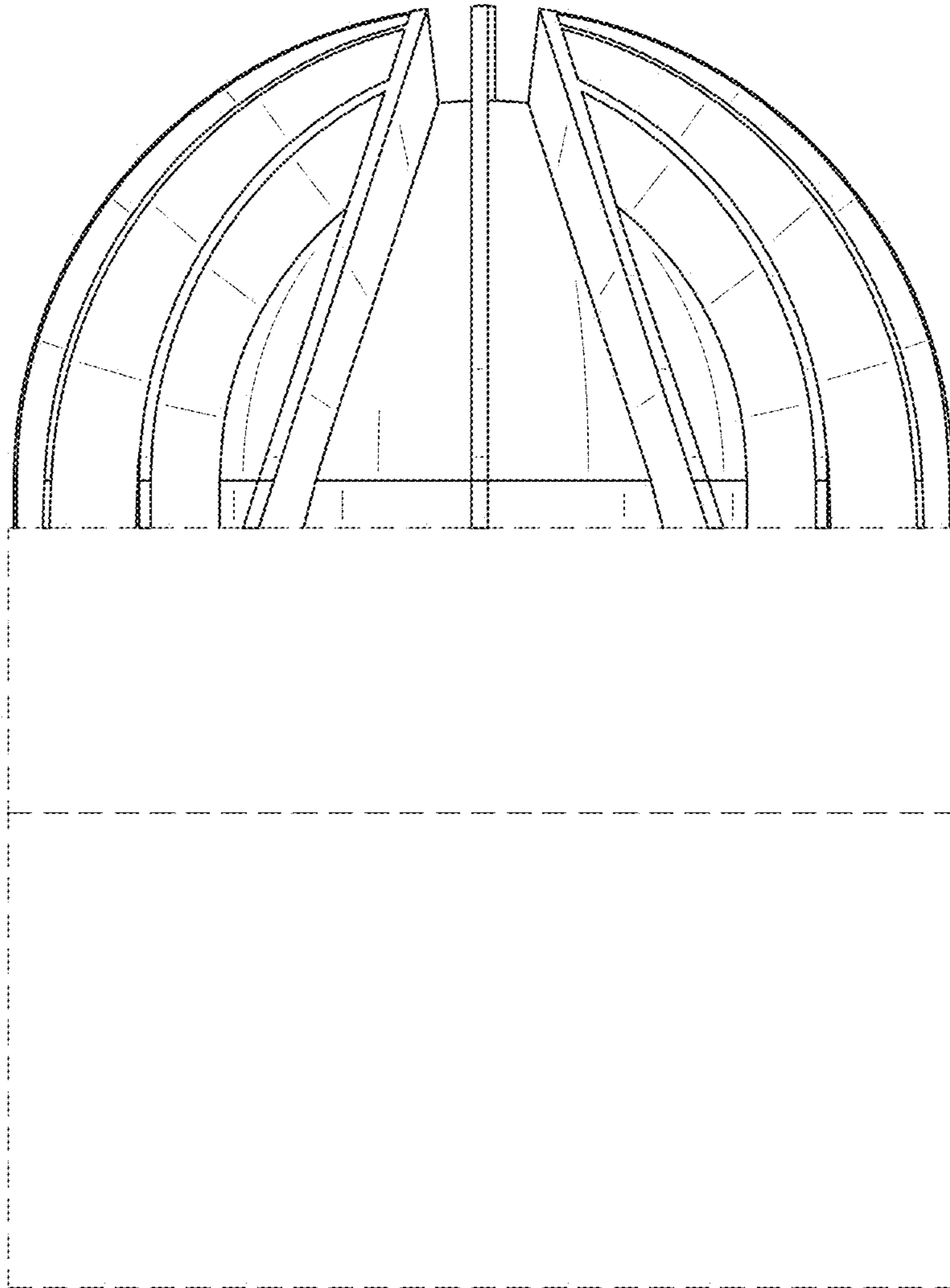


FIG. 5

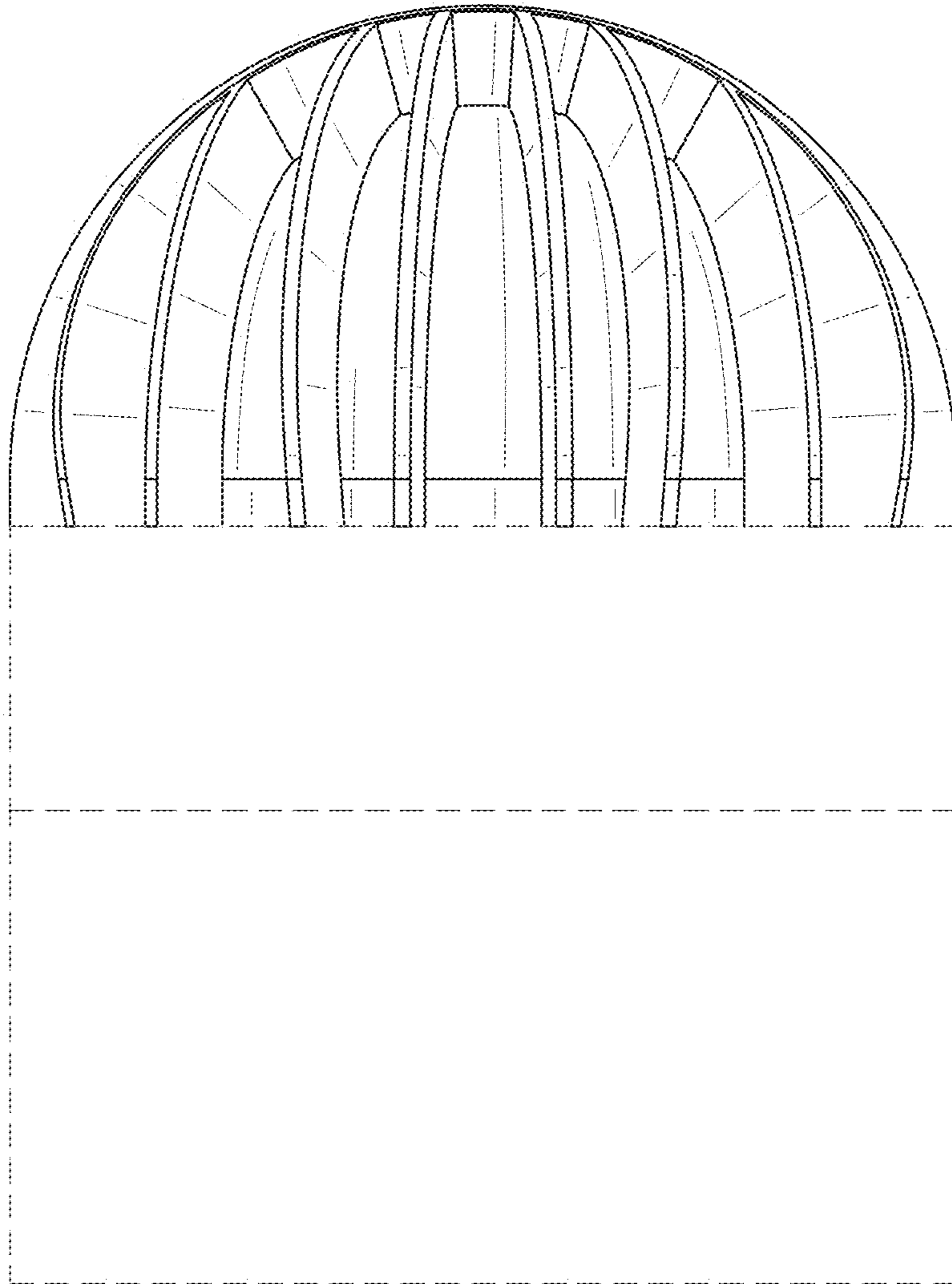


FIG. 6

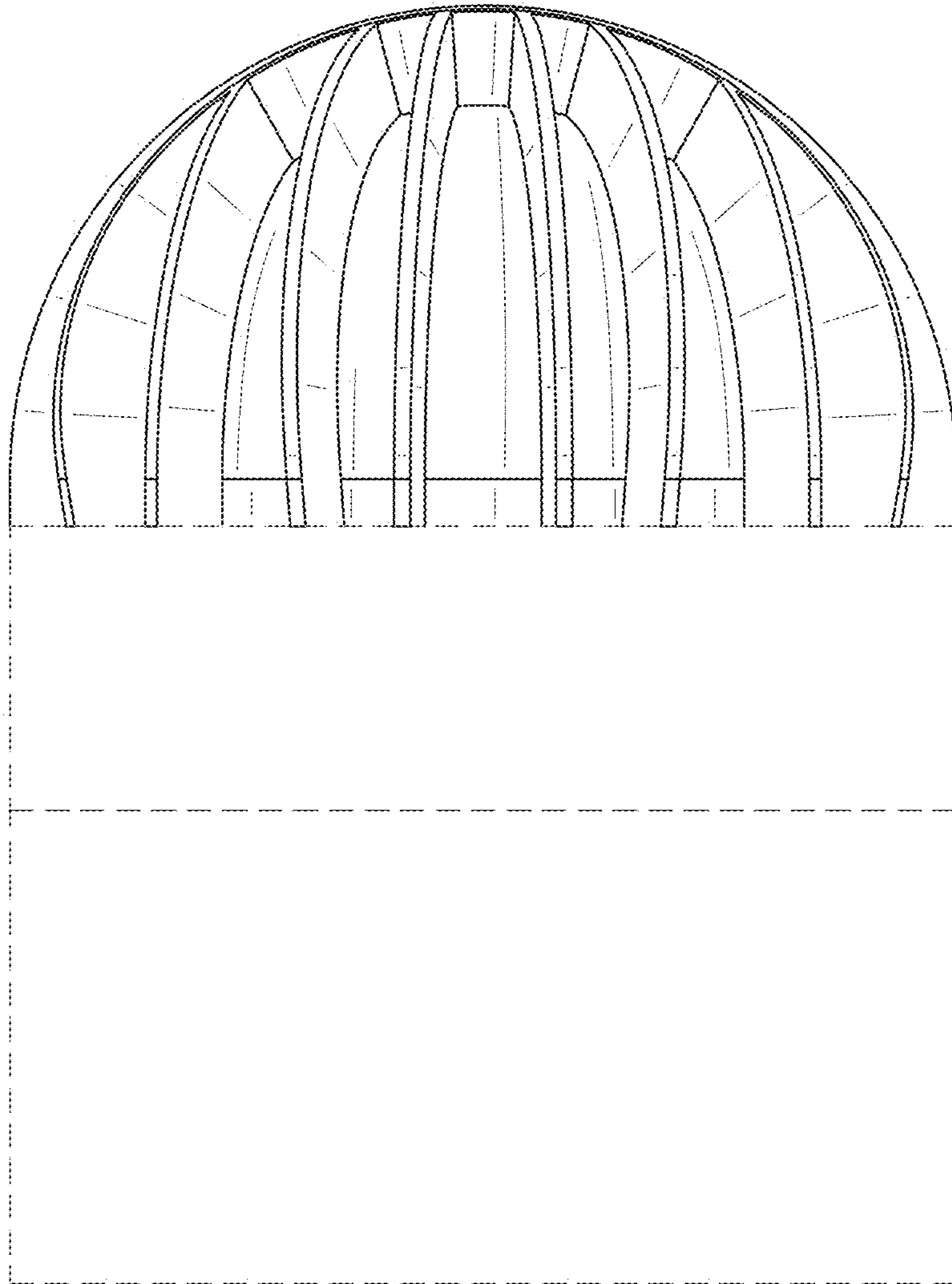


FIG. 7



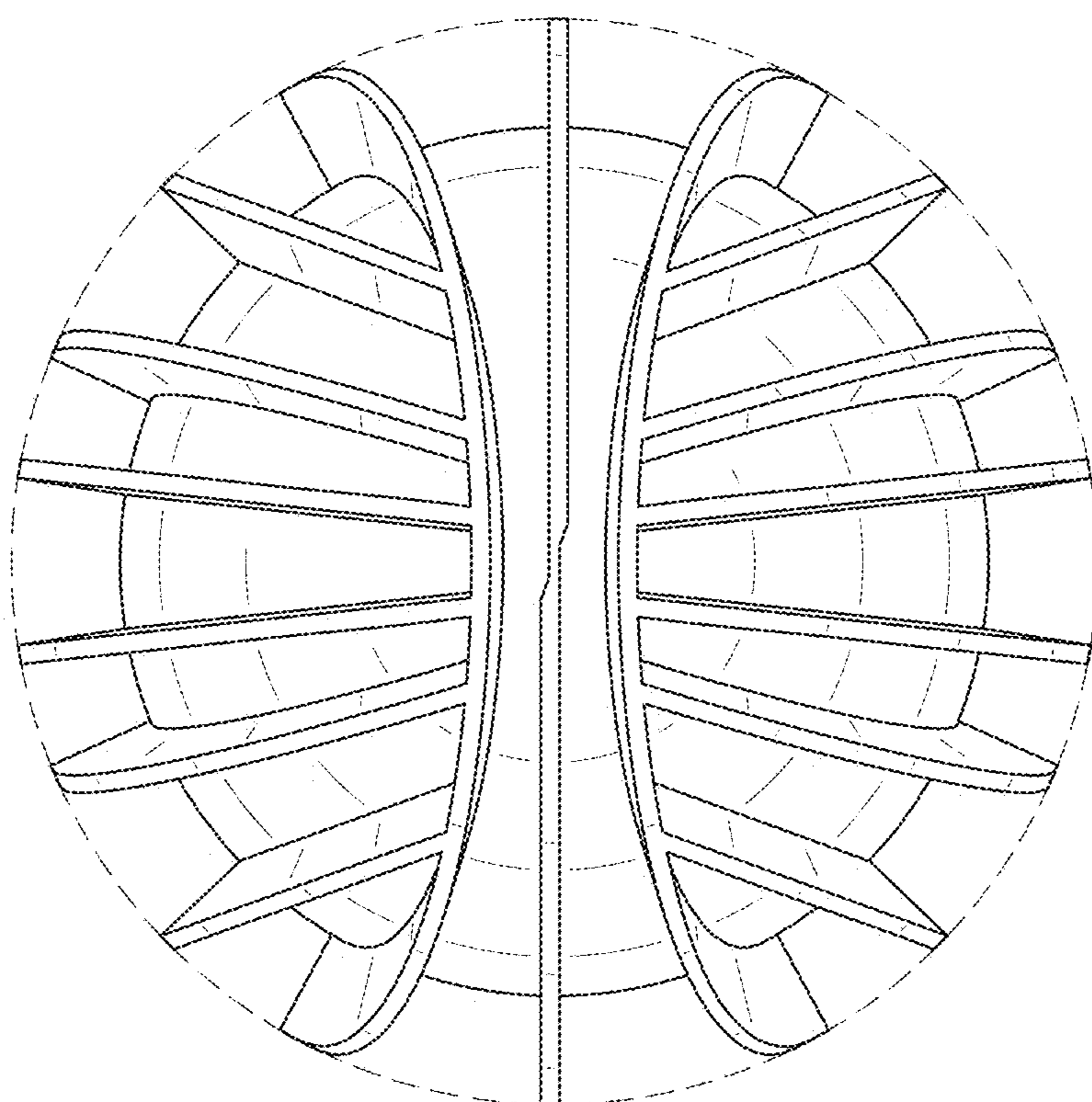


FIG. 8

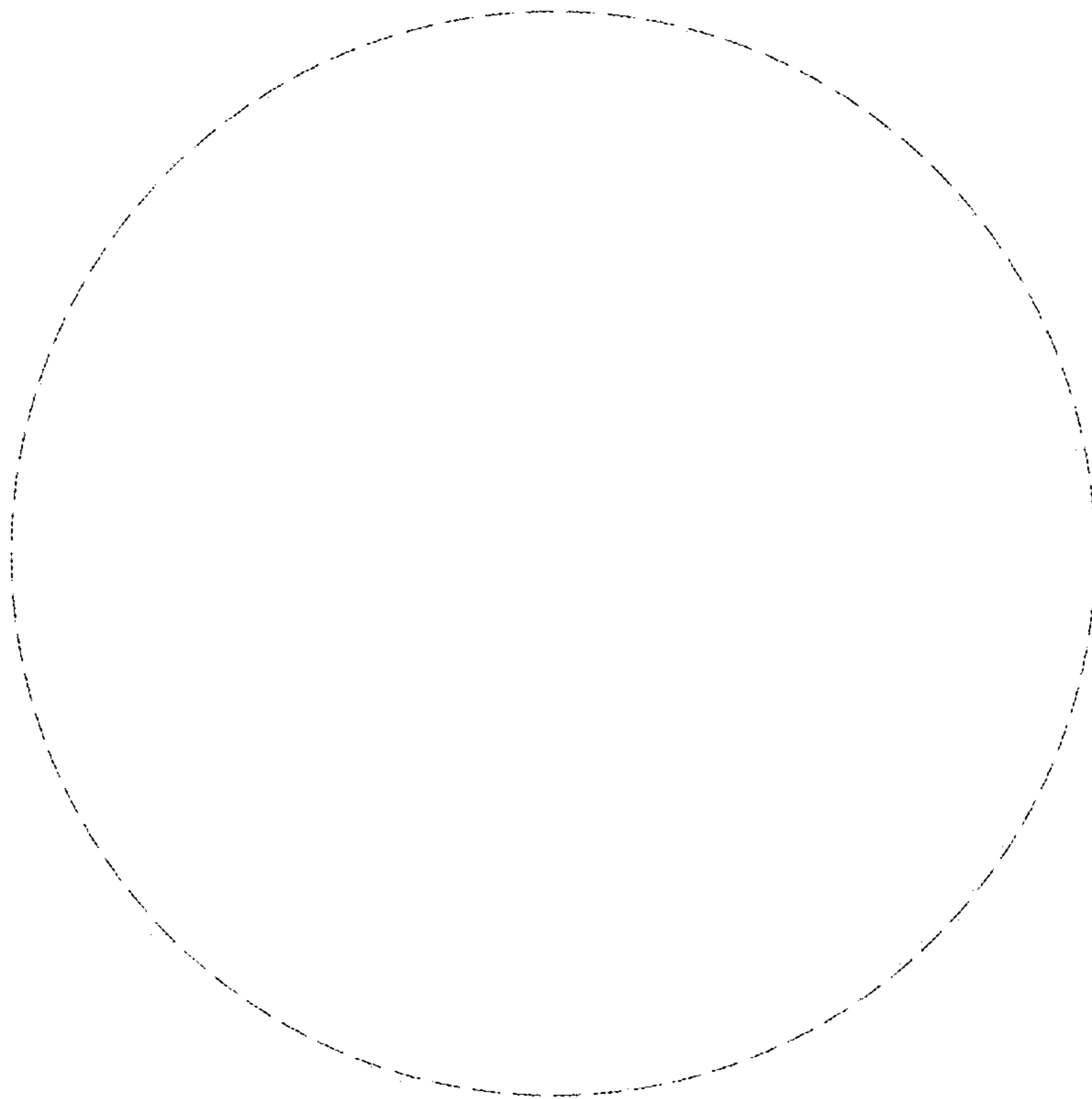


FIG. 9

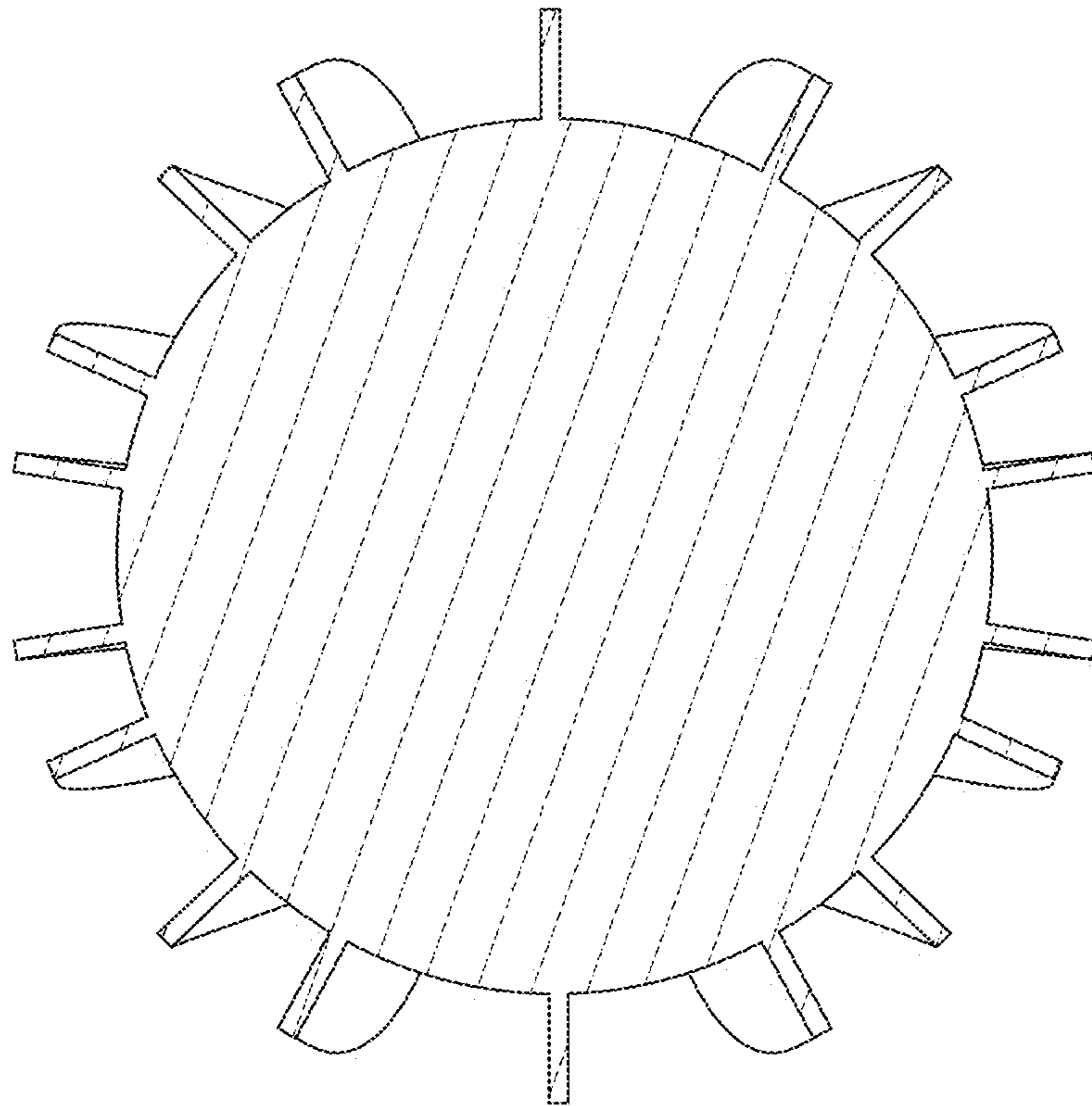


FIG. 10