

US00D923671S

(12) **United States Design Patent**  
**Lin**

(10) **Patent No.:** **US D923,671 S**  
(45) **Date of Patent:** **\*\* Jun. 29, 2021**

(54) **AUXILIARY POSITIONING DEVICE OF PEDESTAL GRINDER**

(71) Applicant: **Kowutsumi Electro. Co., Ltd,**  
Taichung (TW)

(72) Inventor: **Shuei-Cheng Lin,** Taichung (TW)

(73) Assignee: **Kowutsumi Electro. Co., Ltd,**  
Taichung (TW)

(\*\*) Term: **15 Years**

(21) Appl. No.: **29/662,168**

(22) Filed: **Sep. 4, 2018**

(51) **LOC (13) Cl.** ..... **15-03**

(52) **U.S. Cl.**  
USPC ..... **D15/125; D8/62**

(58) **Field of Classification Search**  
USPC ..... D8/62; D15/122-126, 138, 141; 451/72,  
451/360, 361, 341, 444; 125/37, 36  
CPC ..... B24B 3/003; B24B 19/16; B24B 1/00;  
B24B 27/0061; B24B 3/06; B24B 3/34;  
B24B 41/02; B24B 41/06; B24B 41/066;  
B24B 45/003

See application file for complete search history.

(56) **References Cited**

**U.S. PATENT DOCUMENTS**

D153,751 S \* 5/1949 Apple ..... D15/125  
5,525,095 A \* 6/1996 Baughman ..... B24B 27/02  
125/11.03

D447,155 S \* 8/2001 Lin Ku ..... D15/124  
D447,156 S \* 8/2001 Lin Ku ..... D15/124  
D505,683 S \* 5/2005 Pfaff ..... D15/124  
D558,801 S \* 1/2008 Chen ..... D15/125  
D559,872 S \* 1/2008 Pfaff ..... D15/124  
D595,318 S \* 6/2009 Cigarini ..... D15/125  
D627,803 S \* 11/2010 Jebb ..... D15/125  
D654,100 S \* 2/2012 Scherl ..... D15/125  
D776,175 S \* 1/2017 Lin ..... D15/125  
D831,080 S \* 10/2018 Palese ..... D15/125

\* cited by examiner

*Primary Examiner* — Austin Murphy

(74) *Attorney, Agent, or Firm* — Demian K. Jackson;  
Jackson IPG PLLC

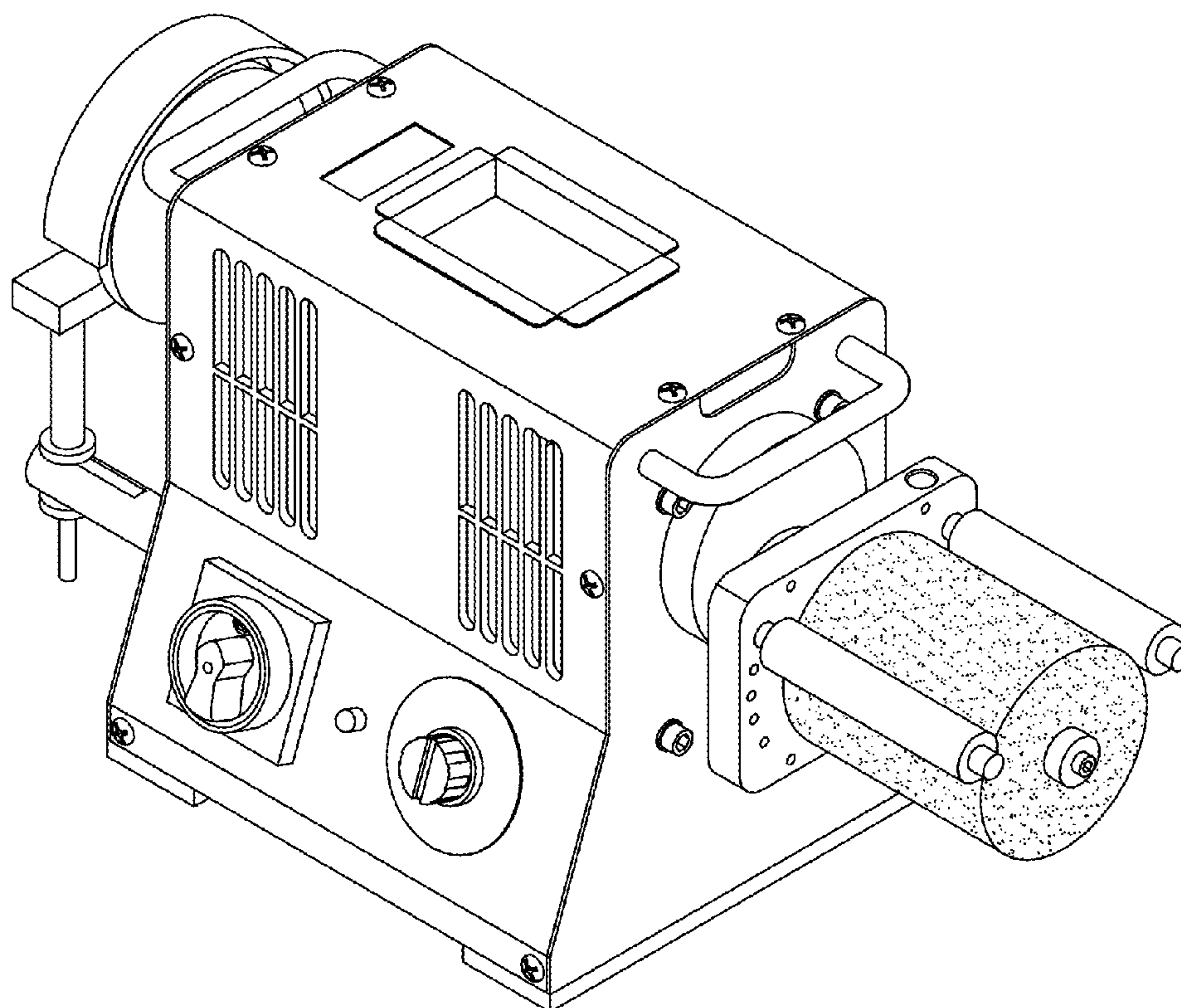
(57) **CLAIM**

The ornamental design for an auxiliary positioning device of pedestal grinder, as shown.

**DESCRIPTION**

FIG. 1 is a front view of an auxiliary positioning device of pedestal grinder showing my new design;  
FIG. 2 is a rear view thereof;  
FIG. 3 is a left view thereof;  
FIG. 4 is a right view thereof;  
FIG. 5 is a top view thereof;  
FIG. 6 is a bottom view thereof; and,  
FIG. 7 is a perspective view thereof.

**1 Claim, 7 Drawing Sheets**



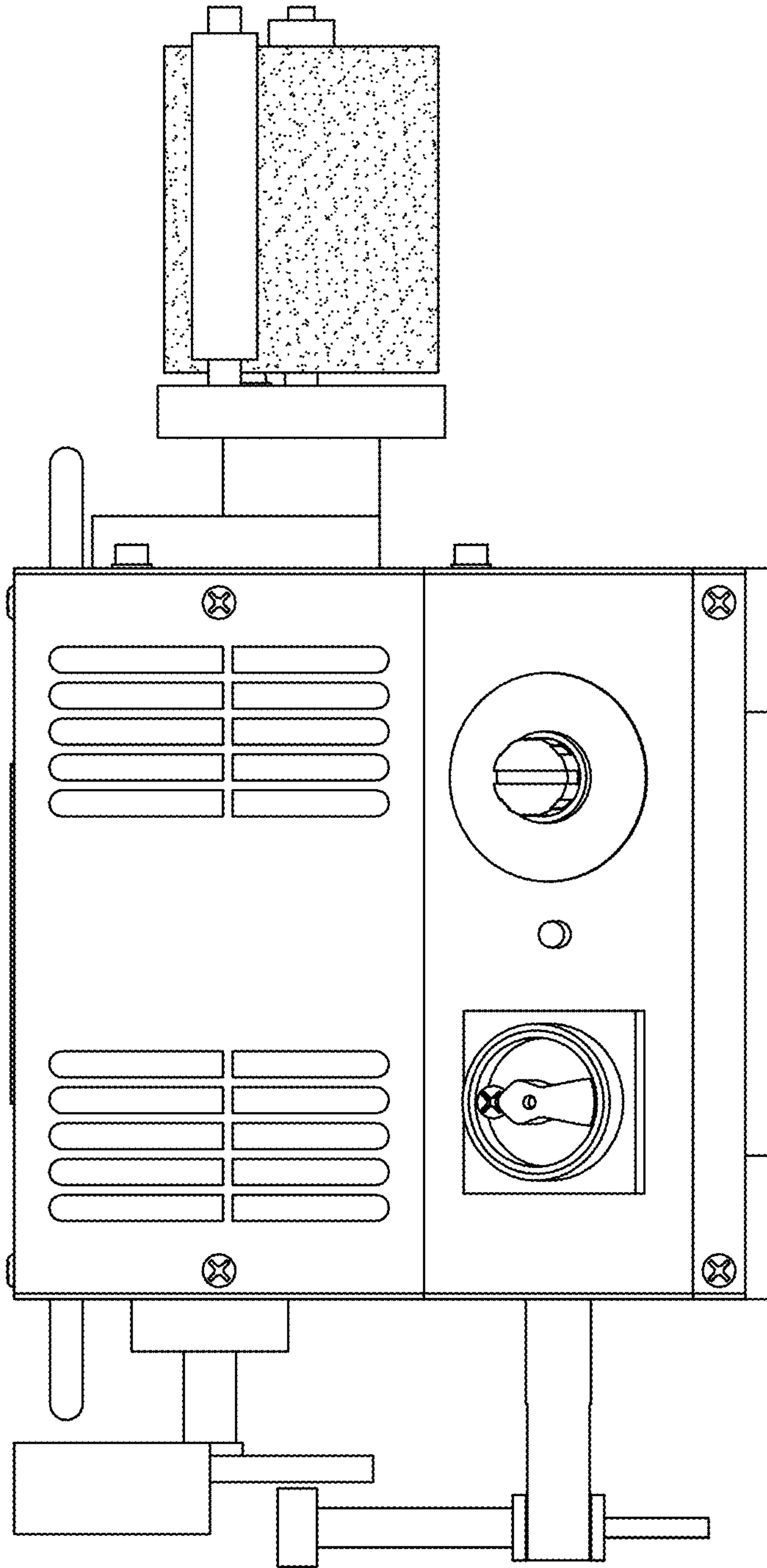


FIG.1

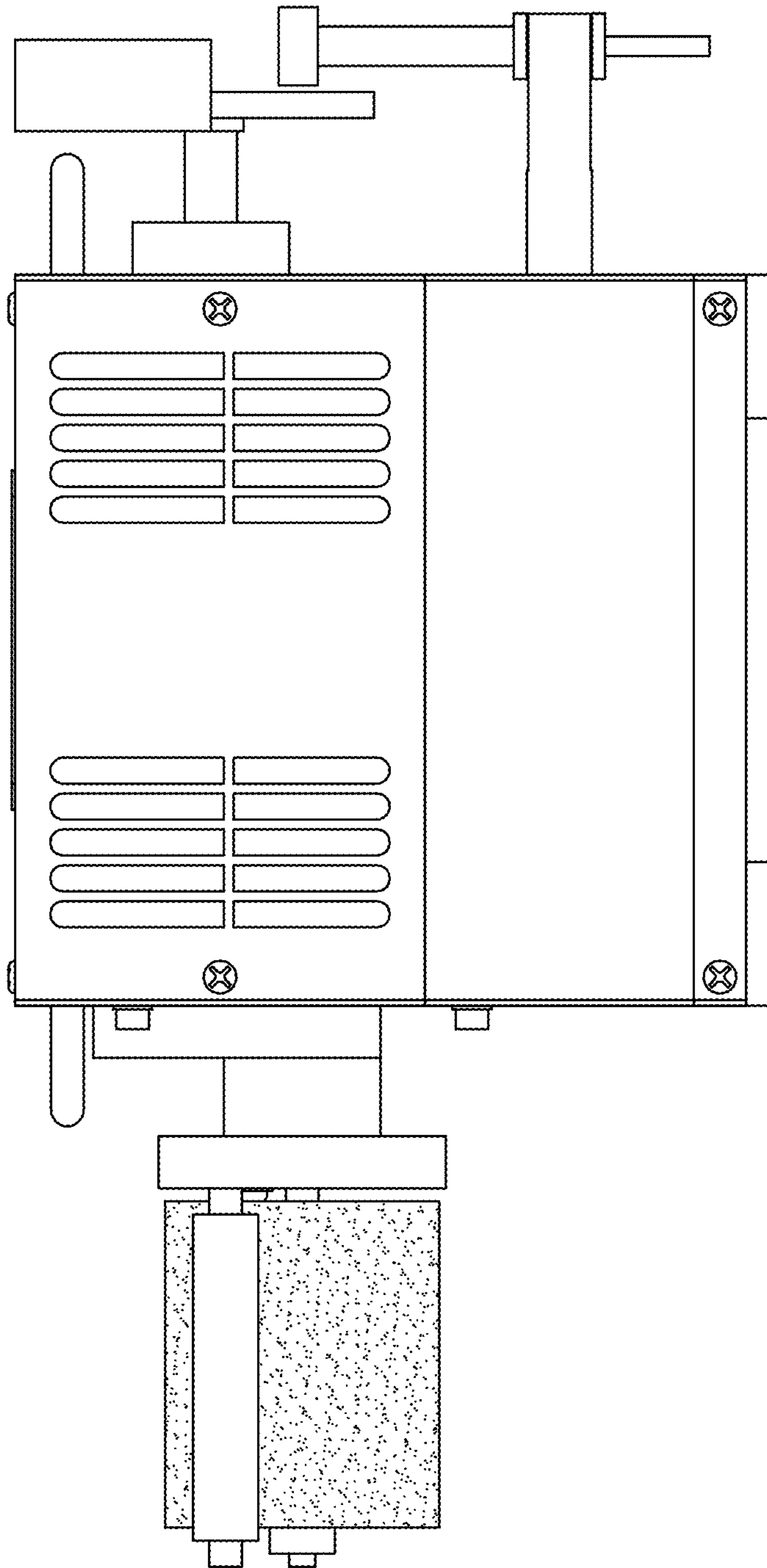


FIG.2

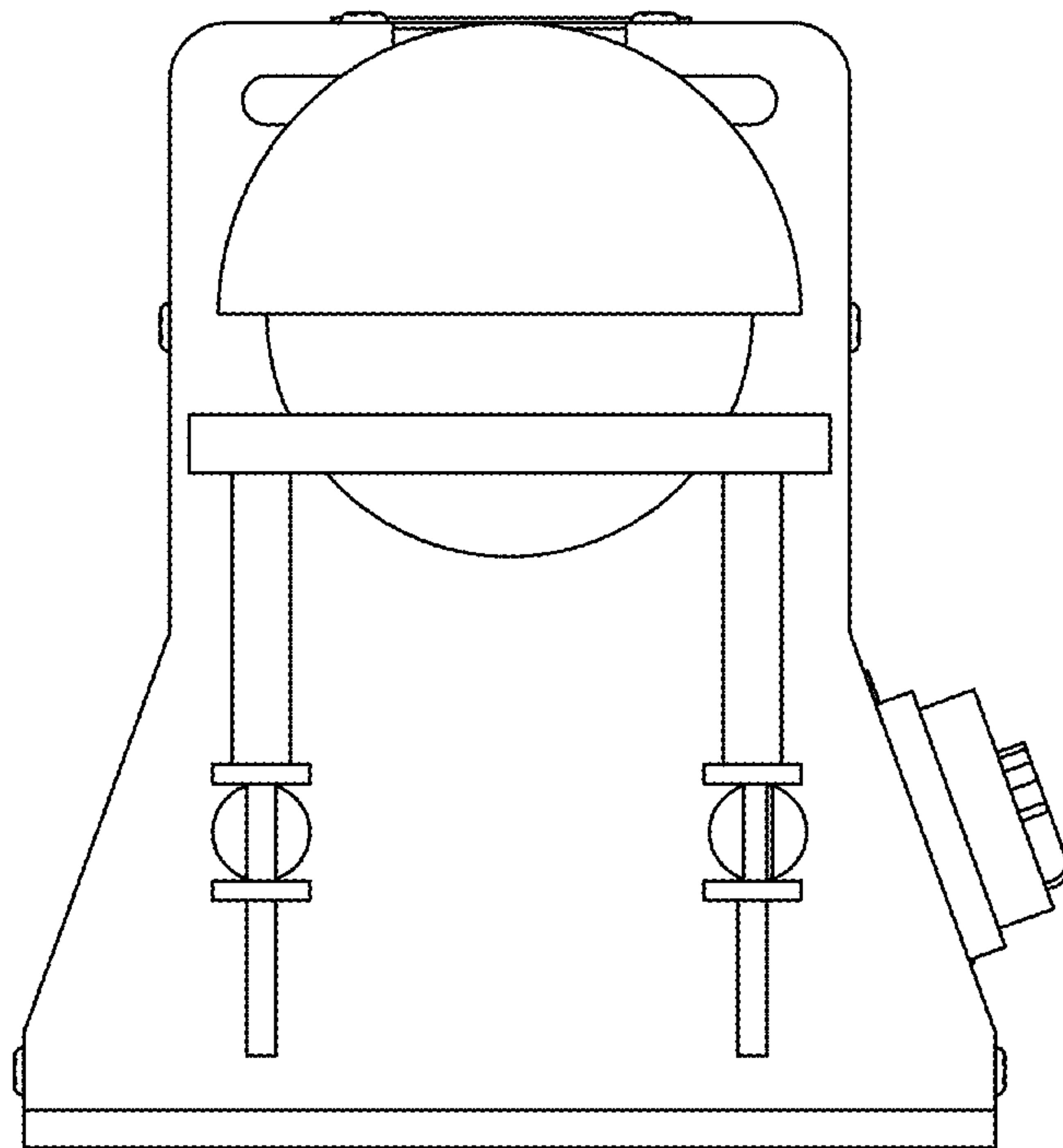


FIG.3

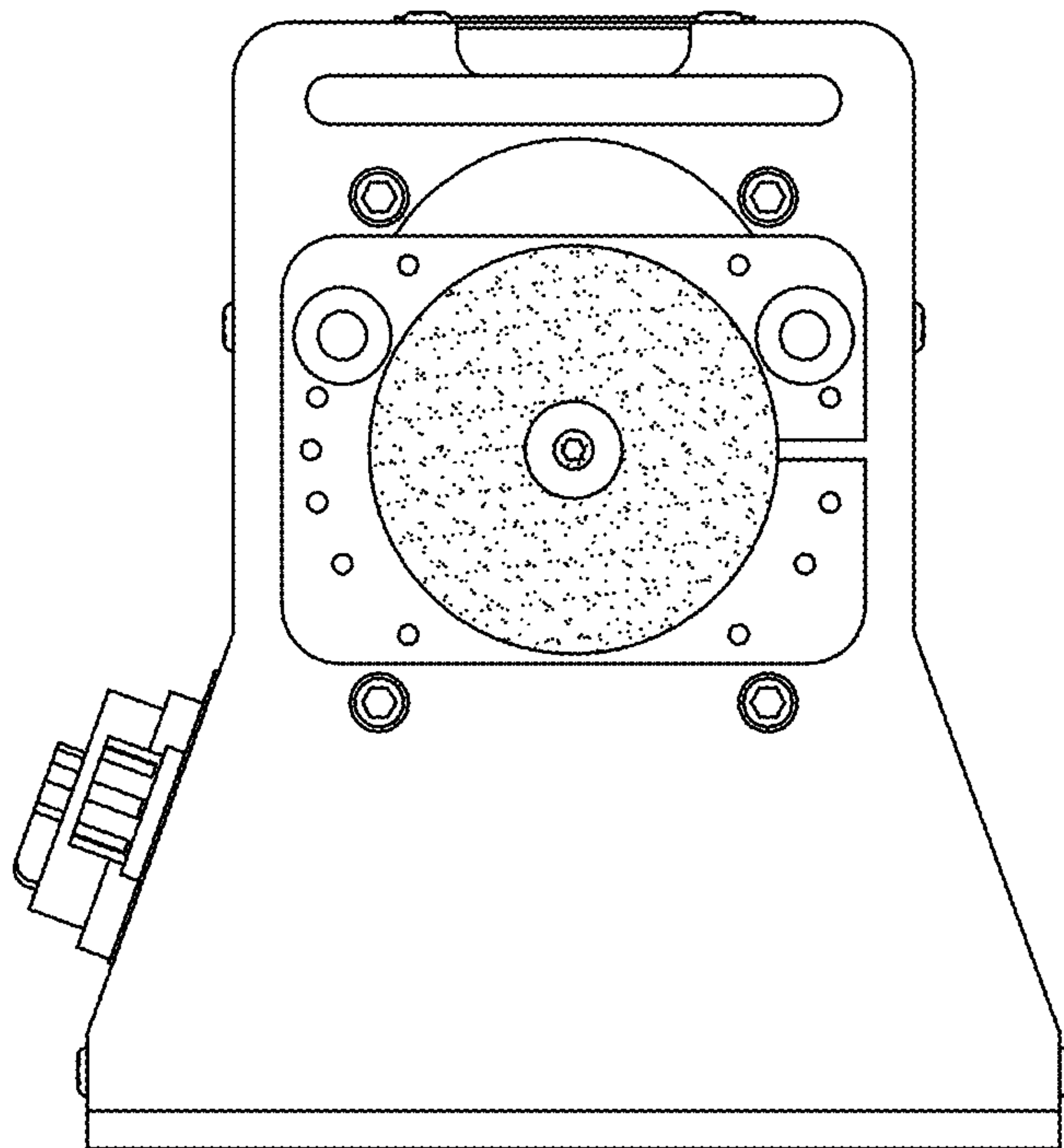


FIG.4

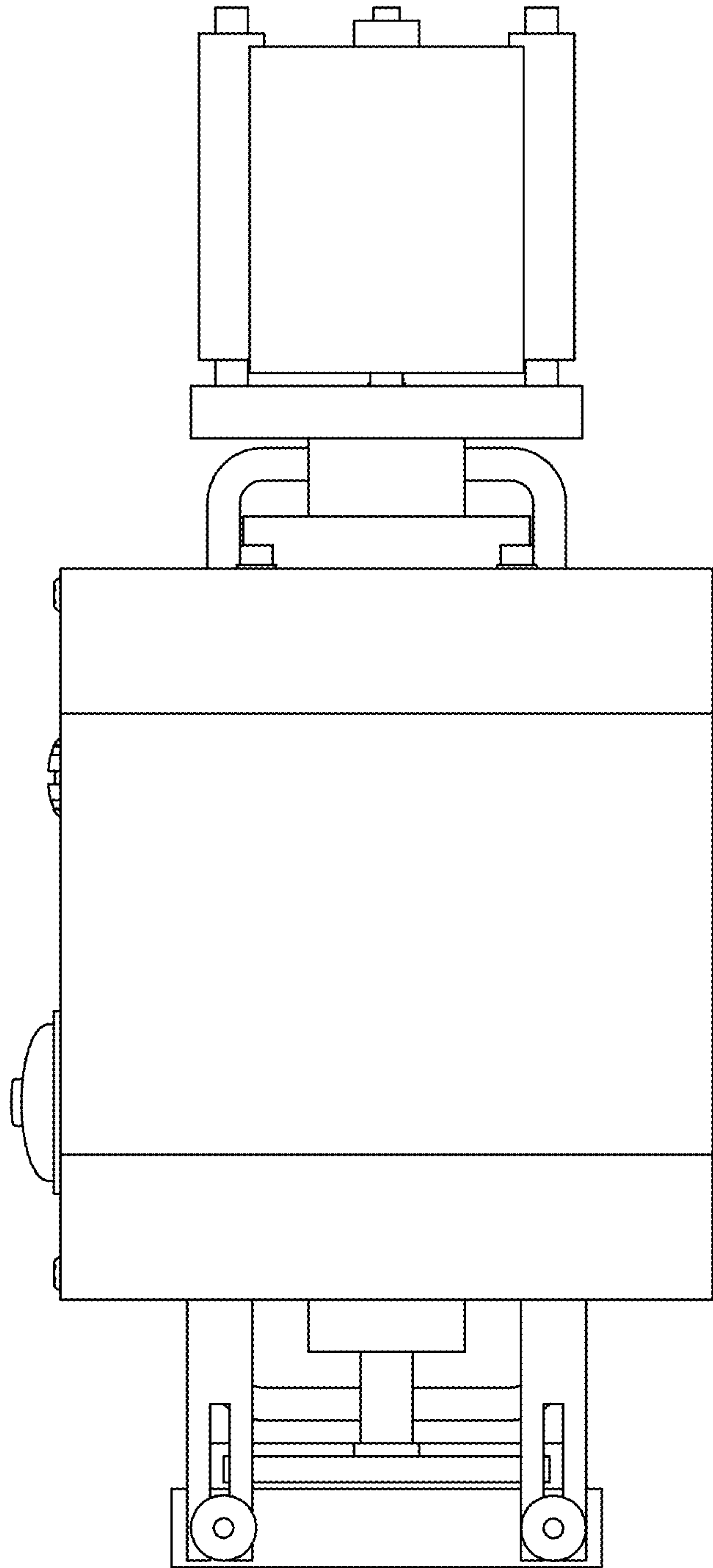


FIG. 5



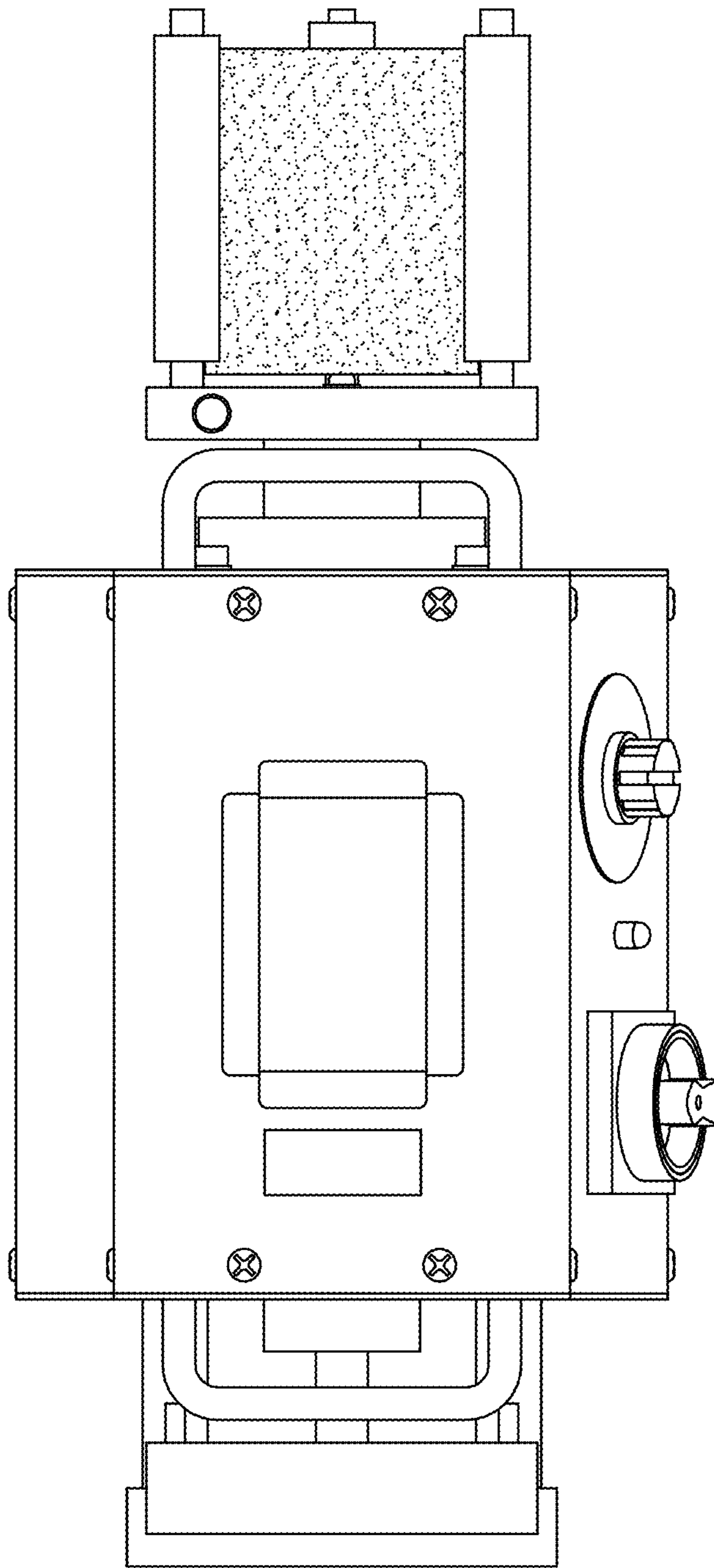


FIG.6

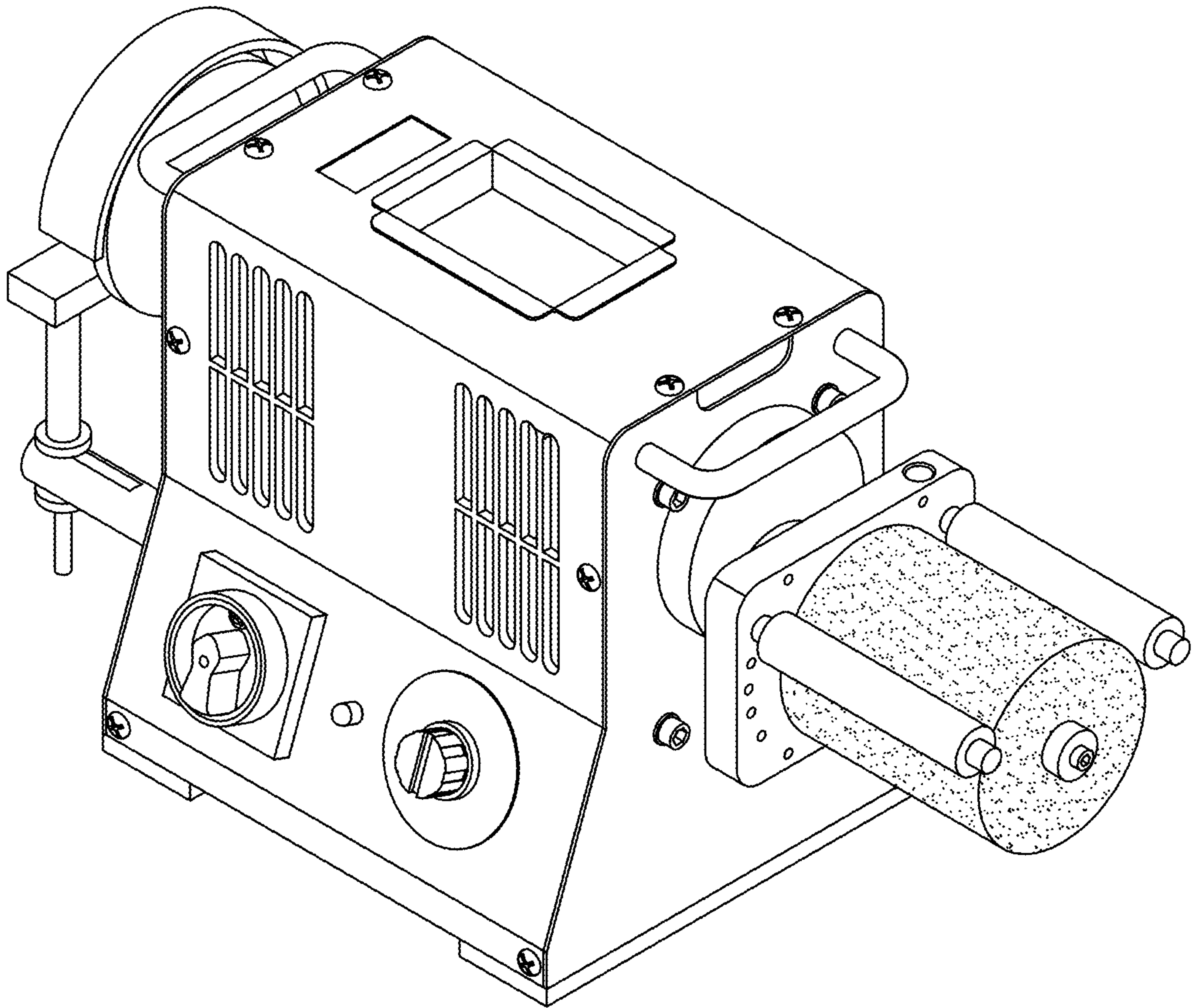


FIG.7