



US00D923670S

(12) **United States Design Patent** (10) **Patent No.:** **US D923,670 S**
Son et al. (45) **Date of Patent:** **** Jun. 29, 2021**

(54) **MACHINE CENTER**
(71) Applicant: **DOOSAN MACHINE TOOLS CO., LTD.**, Changwon-si (KR)
(72) Inventors: **Heedong Son**, Changwon-si (KR); **Seungwook Shin**, Changwon-si (KR)
(73) Assignee: **DOOSAN MACHINE TOOLS CO., LTD.**, Chang-Won-si (KR)
(**) Term: **15 Years**

D559,871 S * 1/2008 Kittaka D15/122
D635,596 S * 4/2011 Hiroshima D15/122
D651,620 S * 1/2012 Schindler D15/122
D654,518 S * 2/2012 Miyake D15/122
D667,031 S * 9/2012 Mueller D15/122
D673,212 S * 12/2012 Okamoto D18/53
D683,771 S * 6/2013 Shimano D15/122
D690,331 S * 9/2013 Kitamura D15/122
D690,745 S * 10/2013 Koide D15/122
D691,903 S * 10/2013 Tong D10/46
D693,859 S * 11/2013 Kitamura D15/122
D700,638 S * 3/2014 Shou D15/123
D711,947 S * 8/2014 Son D15/199
D711,948 S * 8/2014 Son D15/199

(Continued)

(21) Appl. No.: **29/762,864**

(22) Filed: **Dec. 18, 2020**

(30) **Foreign Application Priority Data**

Jun. 22, 2020 (KR) 30-2020-0028238

(51) **LOC (13) Cl.** **15-09**

(52) **U.S. Cl.**
USPC **D15/122**

(58) **Field of Classification Search**
USPC D15/122, 145-147, 199; D18/53, 51, 59, D18/35.1, 99; D20/1, 4, 5, 8; D23/315; D24/159, 231, 234; D25/16, 23, 36
CPC B23K 23/00; B23K 23/02; B23K 23/706; B29C 67/0085; B23Q 3/10; B23Q 1/03; B23Q 17/00; B23Q 17/007; B23Q 17/24; B23Q 11/0891; B23Q 3/15713; B23Q 3/15513; B23B 5/08; B23B 23/00; B23B 3/06; B23B 29/04; B23B 27/007; B22D 11/00; B22D 33/00

See application file for complete search history.

(56) **References Cited**

U.S. PATENT DOCUMENTS

D543,222 S * 5/2007 Pester D15/145
D548,754 S * 8/2007 Itabashi D15/122
D548,755 S * 8/2007 Takeshima D15/122

OTHER PUBLICATIONS

Doosan Machine Tools, DBM 2030 Series 5 Axis Crossrail, (site visited Jan. 14, 2021), Doosanmachinetools.us, URL:<https://www.doosanmachinetools.com/en/product/series/D224_95/view.do> (Year: 2021).*

Primary Examiner — Sheryl Lane

Assistant Examiner — Mark T. Philipps

(74) *Attorney, Agent, or Firm* — STIP Law Group, LLC

(57) **CLAIM**

The ornamental design for a machine center, as shown and described.

DESCRIPTION

FIG. 1 is a perspective view of the machine center, showing the present design.

FIG. 2 is a front view thereof.

FIG. 3 is a rear view thereof.

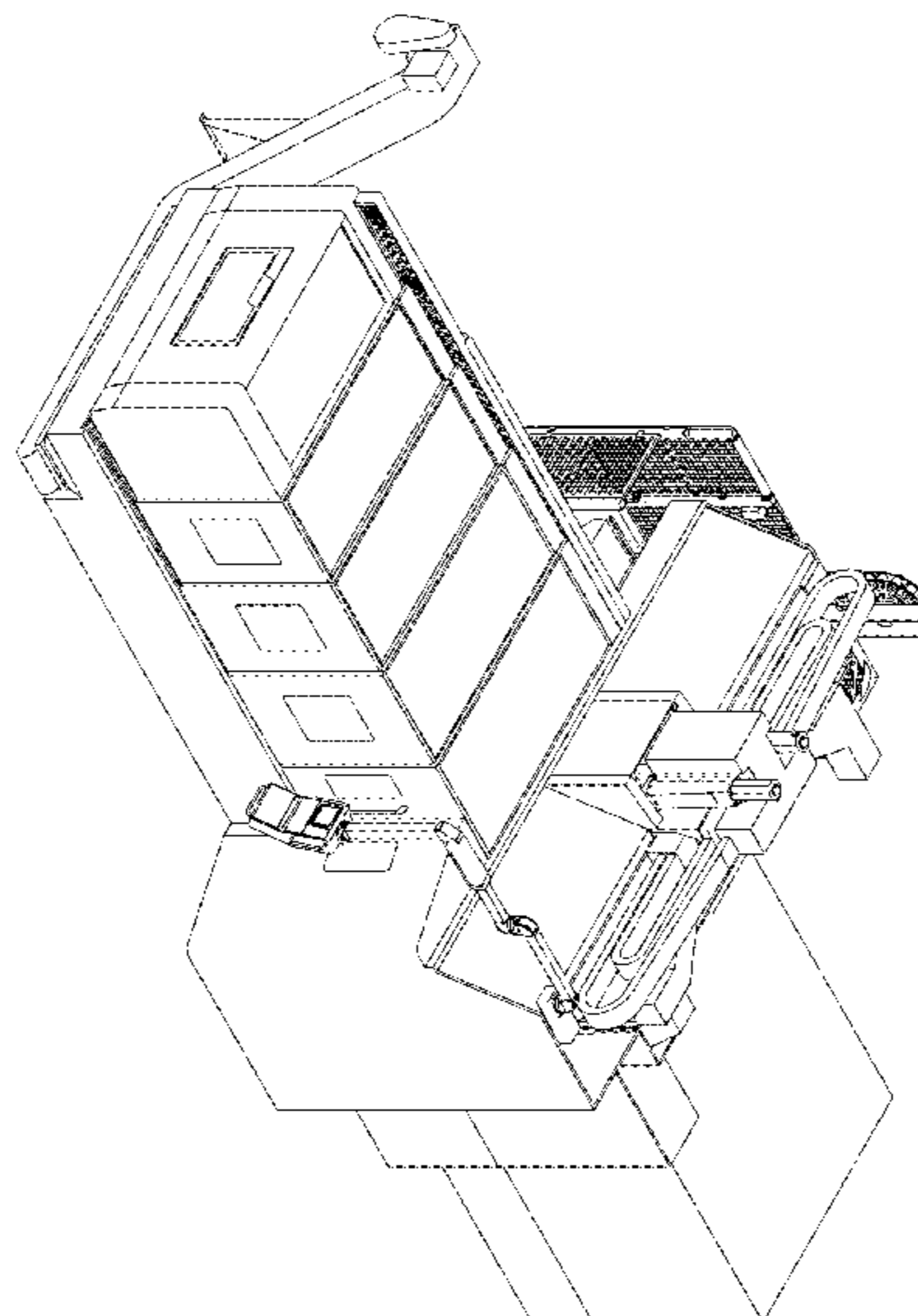
FIG. 4 is a left side view thereof.

FIG. 5 is a right side view thereof; and,

FIG. 6 is a top view thereof.

The broken lines in the figures are used to show portions of the machine center that form no part of the claimed design.

1 Claim, 6 Drawing Sheets



(56)

References Cited

U.S. PATENT DOCUMENTS

D716,351 S * 10/2014 Kitamura D15/122
D718,353 S * 11/2014 Kato D15/122
D759,133 S * 6/2016 Kitamura D15/122
D759,738 S * 6/2016 Schonherr D15/122
9,415,474 B2 * 8/2016 Lee B23Q 11/00
D778,329 S * 2/2017 Grobe D15/122
D791,204 S * 7/2017 Hynek D15/131
D797,822 S * 9/2017 Grobe D15/122
D811,450 S * 2/2018 Hynek D15/130
D873,873 S * 1/2020 Sollberger D15/122
D873,876 S * 1/2020 Bellante D15/145
D884,754 S * 5/2020 Andre D15/122
2009/0121113 A1 * 5/2009 Yasuda B23Q 1/017
248/429
2013/0061726 A1 * 3/2013 Katsu B23B 5/08
82/1.11
2014/0069609 A1 * 3/2014 Caihuzac B23Q 11/128
165/67
2014/0319746 A1 * 10/2014 Kozawa B23Q 3/10
269/14
2015/0298272 A1 * 10/2015 Murata B23Q 7/1431
414/222.07
2015/0336229 A1 * 11/2015 Nishida B23Q 11/0891
414/222.07
2016/0325868 A1 * 11/2016 Bonneville B26F 1/38
2019/0022811 A1 * 1/2019 Roettgen B23Q 11/0891
2019/0061087 A1 * 2/2019 Kostenbader B27C 9/00
2019/0217436 A1 * 7/2019 Takada B23C 1/06

* cited by examiner

FIG. 1

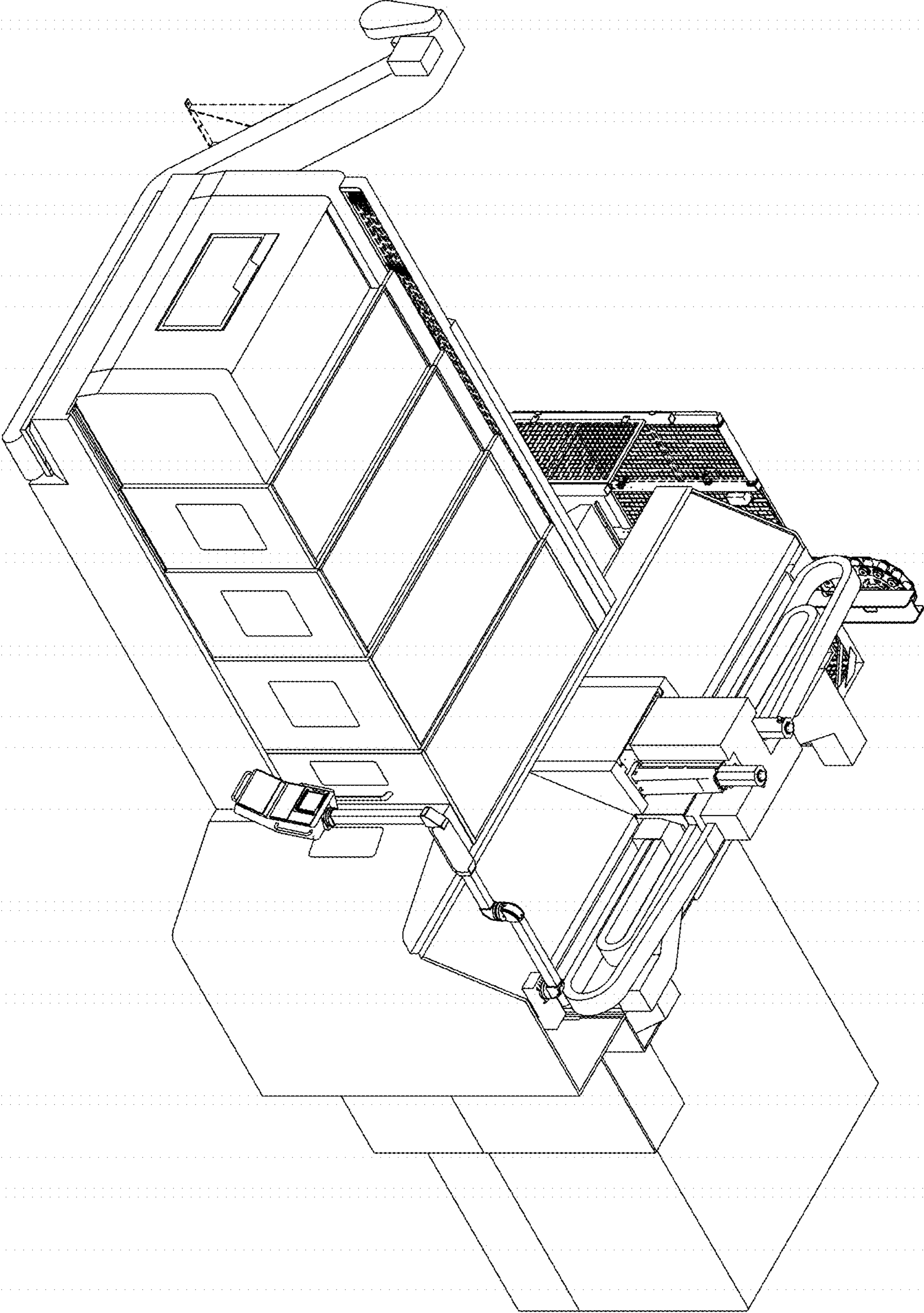


FIG. 2

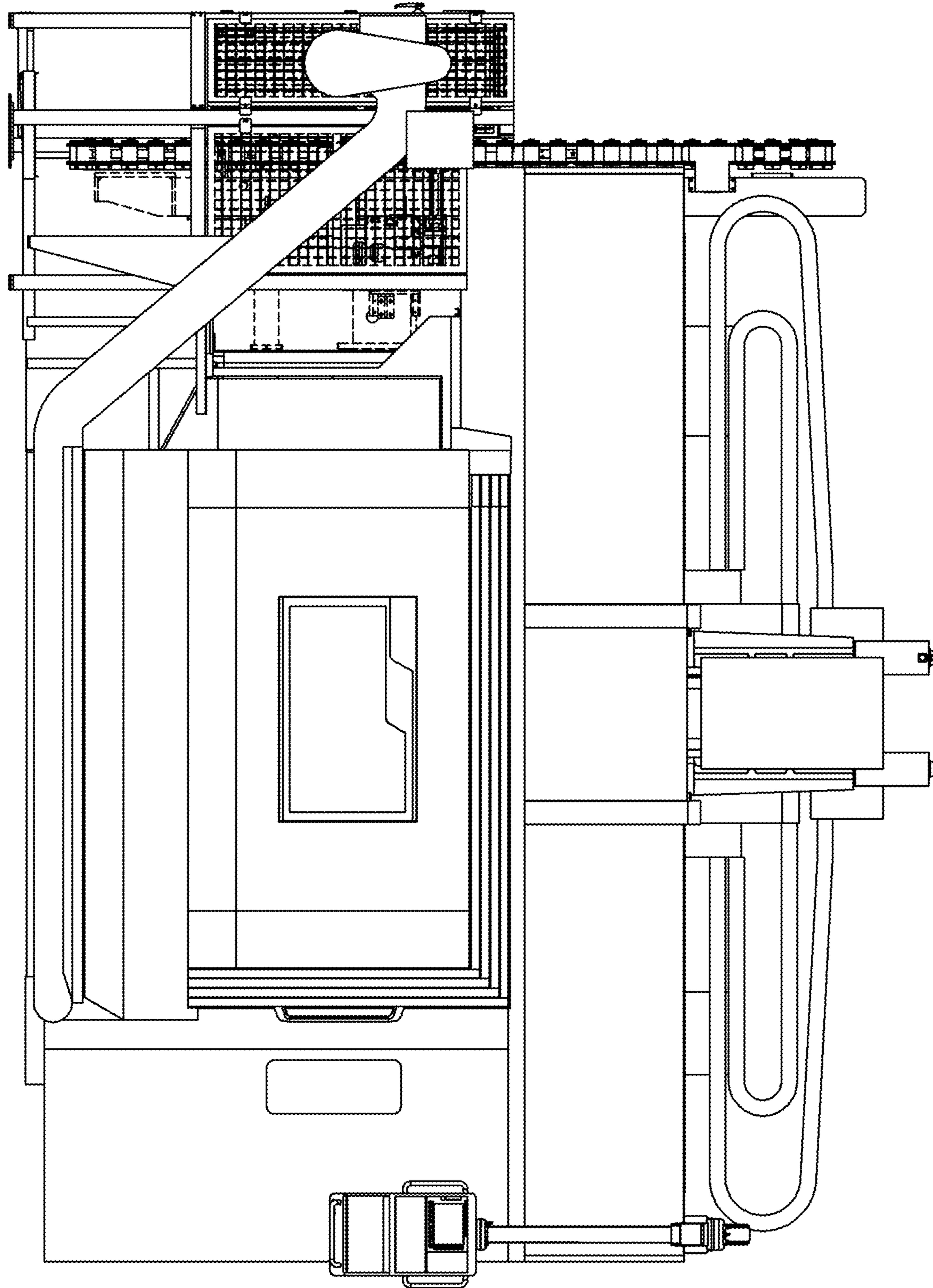


FIG. 3

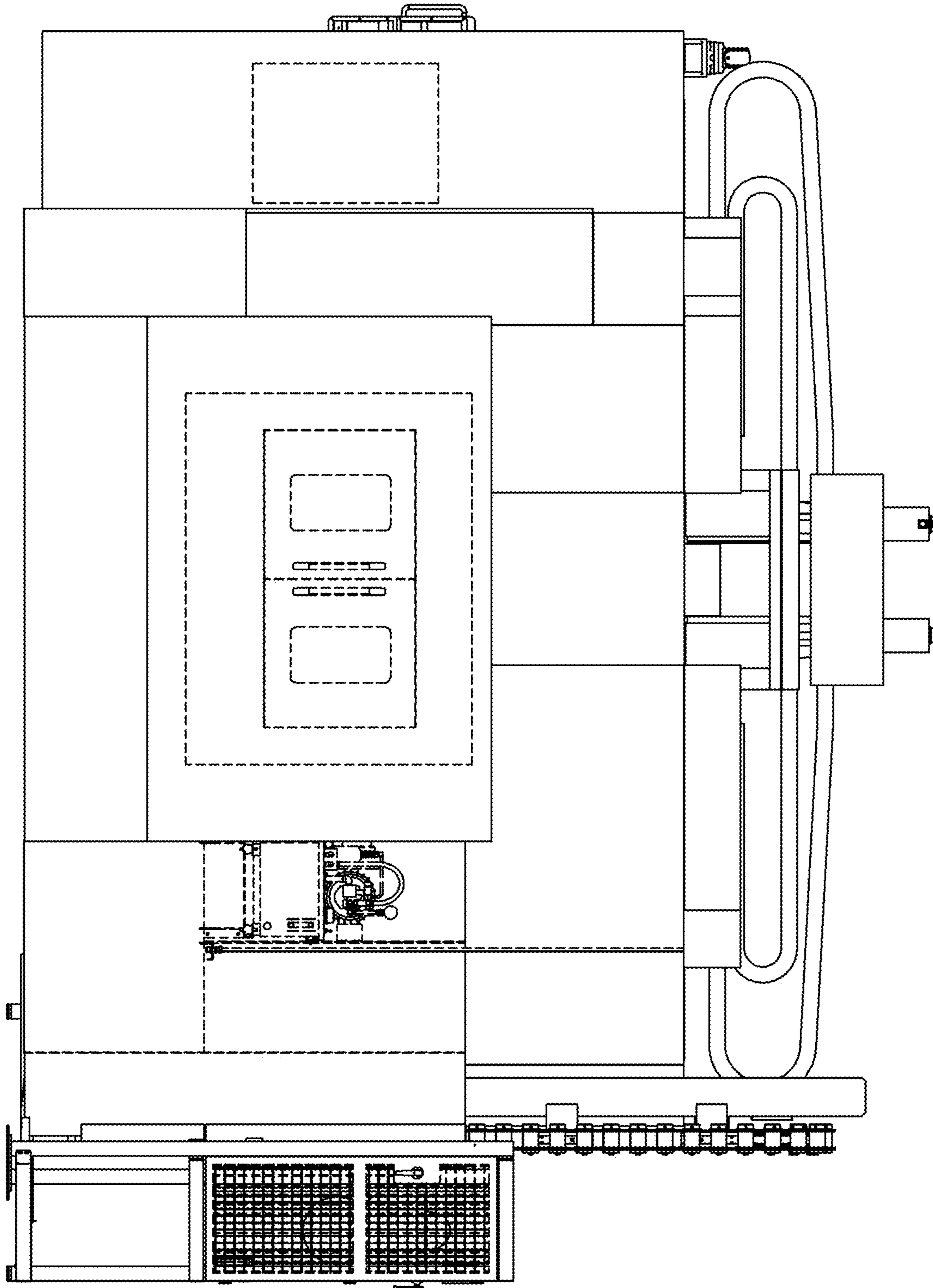


FIG. 4

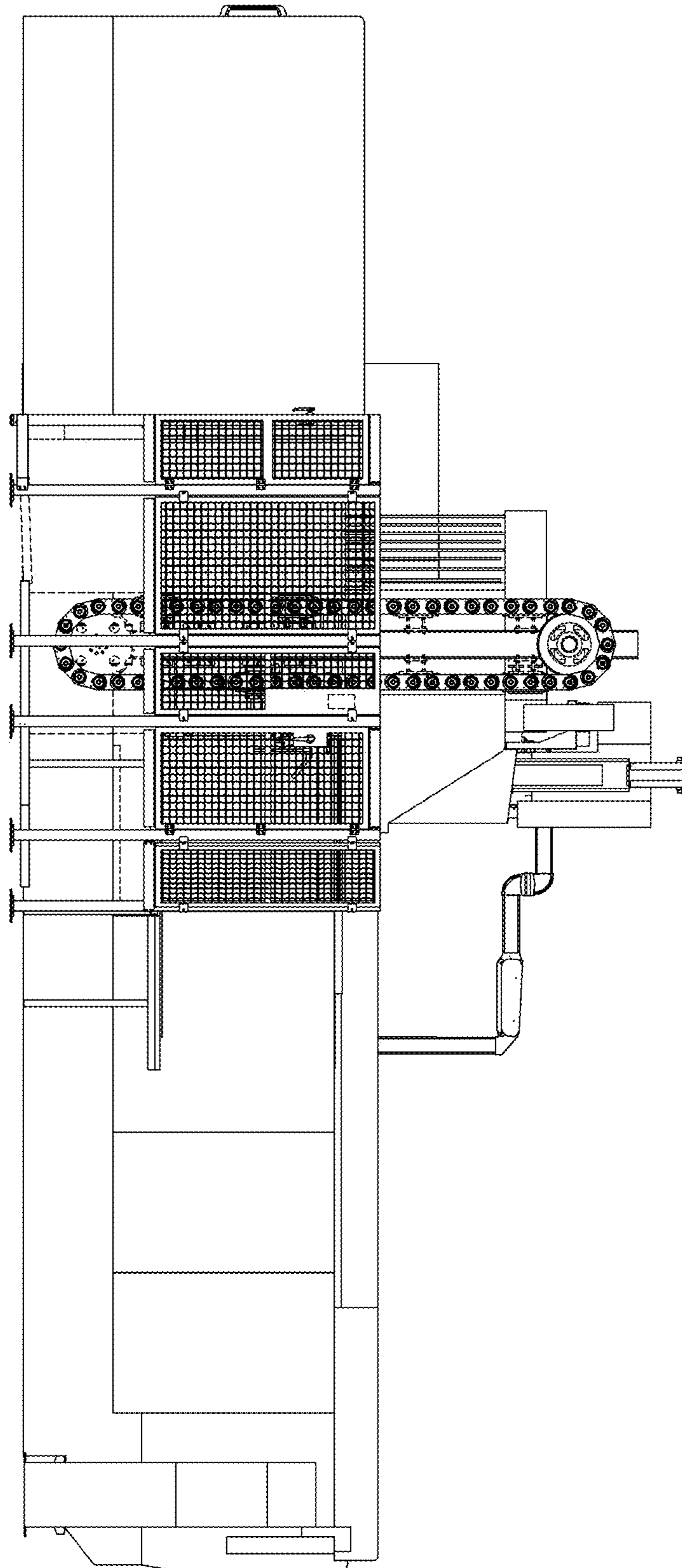


FIG. 5

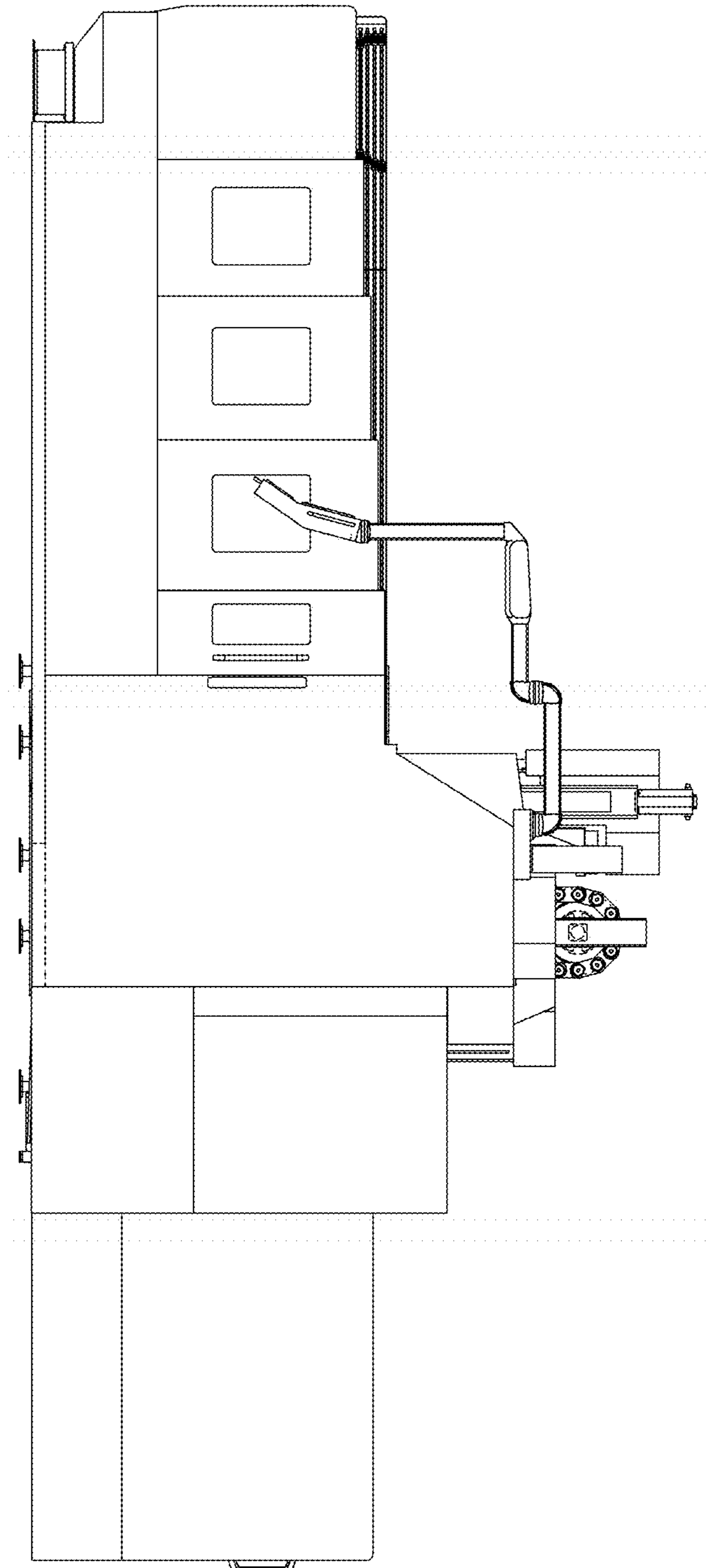


FIG. 6

