



US00D923668S

(12) **United States Design Patent**  
**Choi et al.**

(10) **Patent No.:** **US D923,668 S**  
(45) **Date of Patent:** **\*\* Jun. 29, 2021**

(54) **SET OF FOOD CONTAINERS WITH A TRAY FOR A REFRIGERATOR**

F25D 23/069; F25D 23/087; F25D 23/126; F25D 2400/36; F25D 2400/361; F25D 25/00; F25D 2600/00; F25D 2600/02

(71) Applicant: **LG ELECTRONICS INC.**, Seoul (KR)

See application file for complete search history.

(72) Inventors: **Wonsang Choi**, Seoul (KR); **Hyungki Kim**, Seoul (KR); **Kyukwan Choi**, Seoul (KR)

(56) **References Cited**

U.S. PATENT DOCUMENTS

(73) Assignee: **LG ELECTRONICS INC.**, Seoul (KR)

D103,916	S	*	3/1937	Scurlock	.....	D7/705
D284,196	S	*	6/1986	Wolff	.....	D15/89
D669,921	S	*	10/2012	Kinser	.....	D15/89
D692,933	S	*	11/2013	Sorensen	.....	D15/90
D730,957	S	*	6/2015	You	.....	D15/91
D737,869	S	*	9/2015	Seo	.....	D15/91
D839,322	S	*	1/2019	Choi	.....	D15/89
D839,931	S	*	2/2019	Choi	.....	D15/89
D855,087	S	*	7/2019	Lopez	.....	D15/89
D879,162	S	*	3/2020	Murphy	.....	D15/89
D895,696	S	*	9/2020	Buter	.....	D15/89

(\*\*) Term: **15 Years**

(21) Appl. No.: **35/509,047**

(22) Filed: **Mar. 22, 2019**

\* cited by examiner

(80) **Hague Agreement Data**

Int. Filing Date: **Mar. 22, 2019**

Int. Reg. No.: **DM/206859**

Int. Reg. Date: **Mar. 22, 2019**

Int. Reg. Pub. Date: **Apr. 10, 2020**

*Primary Examiner* — Khawaja Anwar

(74) *Attorney, Agent, or Firm* — Birch, Stewart, Kolasch & Birch LLP

(51) **LOC (13) Cl.** ..... **15-07**

(52) **U.S. Cl.**  
USPC ..... **D15/89**

(57) **CLAIM**

The ornamental design for a set of food containers with a tray for a refrigerator, as shown and described.

(58) **Field of Classification Search**

USPC ..... D15/79-91

CPC ..... F25D 25/02; F25D 25/024; F25D 23/00; F25D 2325/022; F25D 25/04; F25D 23/067; F25D 23/04; F25D 11/00; F25D 23/025; F25D 25/025; F25D 27/00; F25D 2325/021; F25D 2400/22; F25D 11/02; F25D 23/12; F25D 27/005; F25D 2331/80; F25D 17/042; F25D 2331/805; F25D 23/028; F25D 2400/40; F25D 2500/02; F25D 25/022; F25D 25/028; F25D 2201/00; F25D 2317/041; F25D 2317/0411; F25D 2317/0416; F25D 2323/122; F25D 2325/00; F25D 2327/00; F25D 2327/001; F25D 2331/809; F25D 2331/81; F25D 23/062; F25D 23/065;

**DESCRIPTION**

1. Set of food containers with a tray for a refrigerator

1.1 : Perspective

1.2 : Front

1.3 : Back

1.4 : Left

1.5 : Right

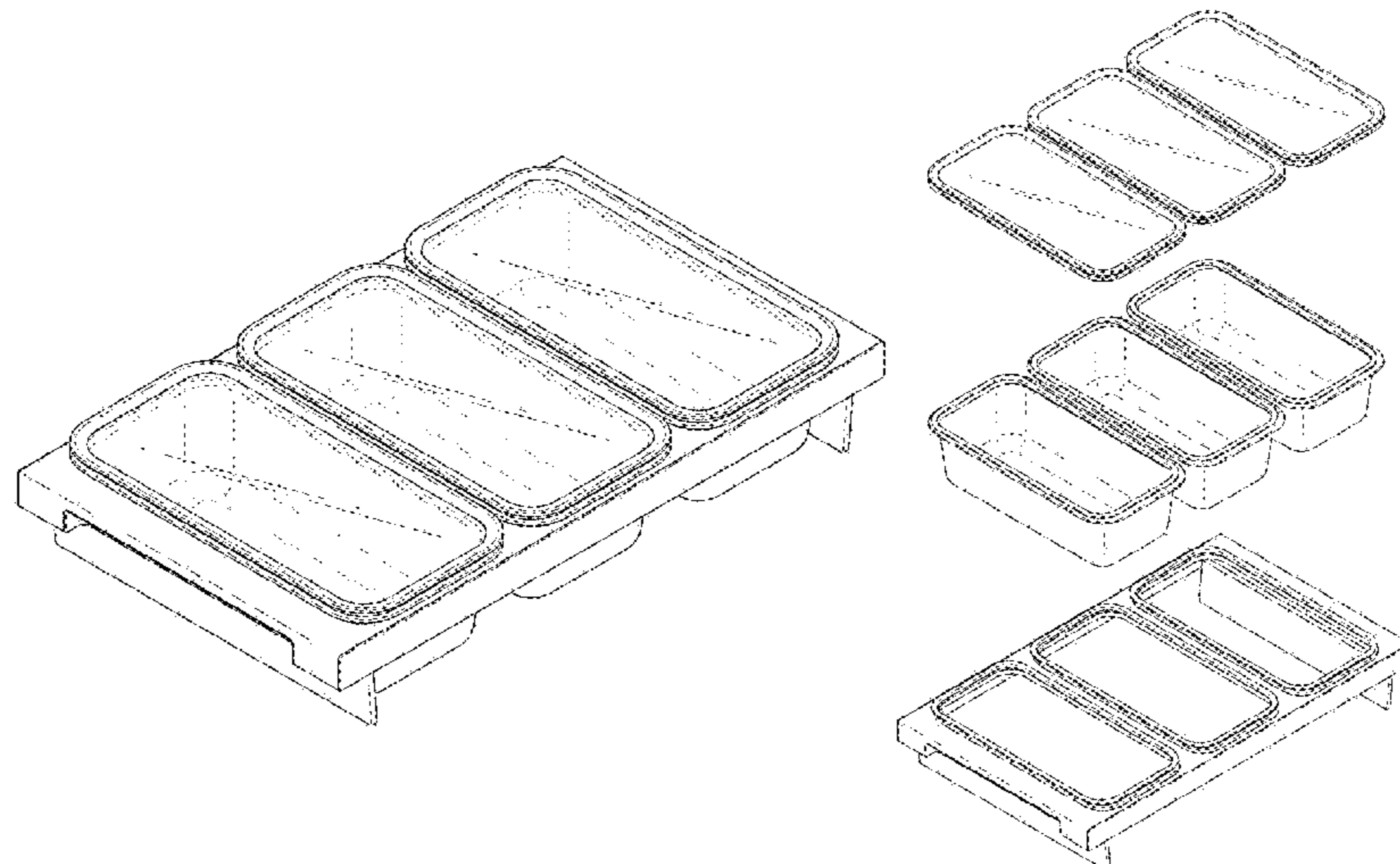
1.6 : Top

1.7 : Bottom

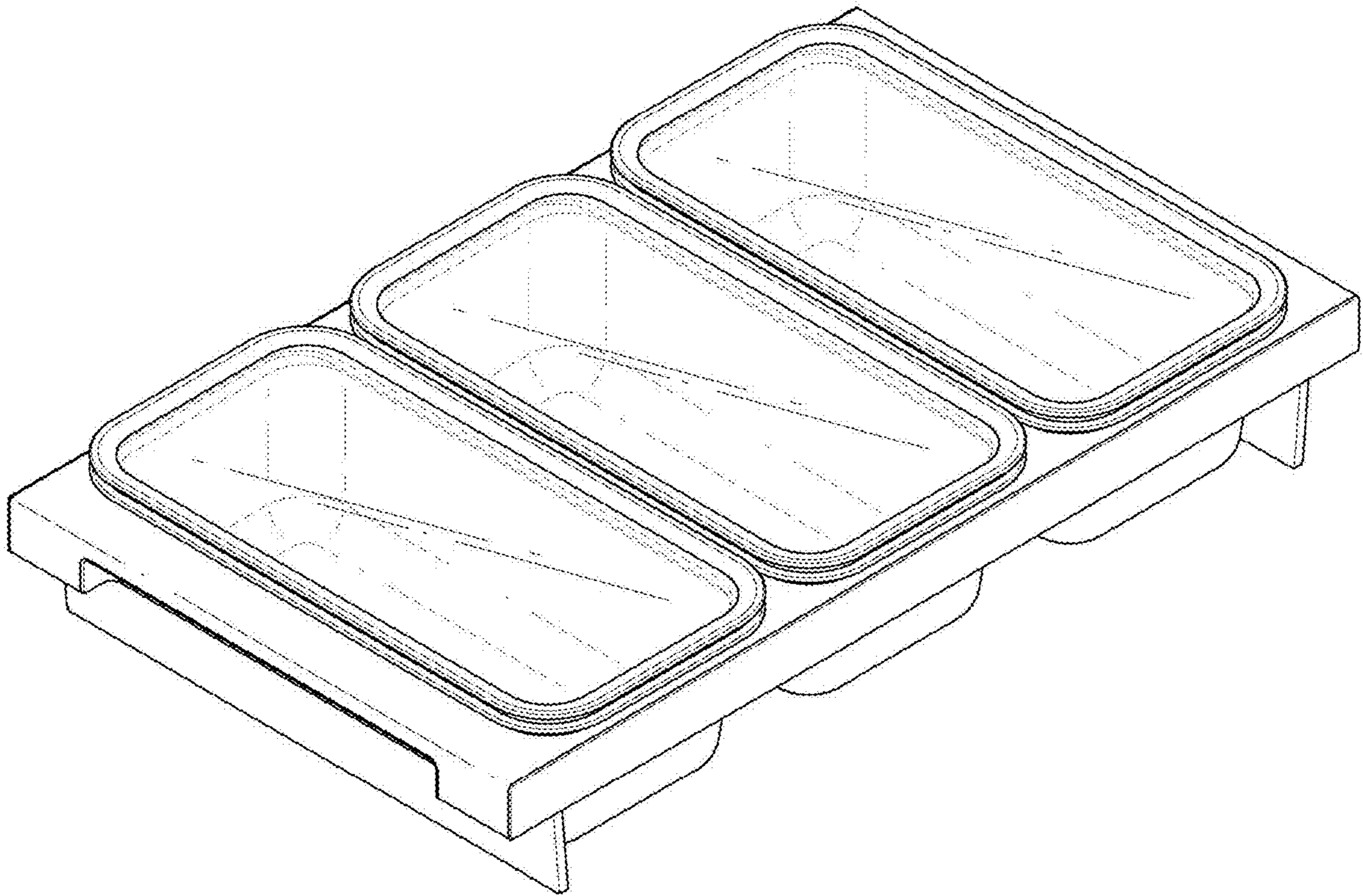
1.8 : Additional view

1.9 : Reference

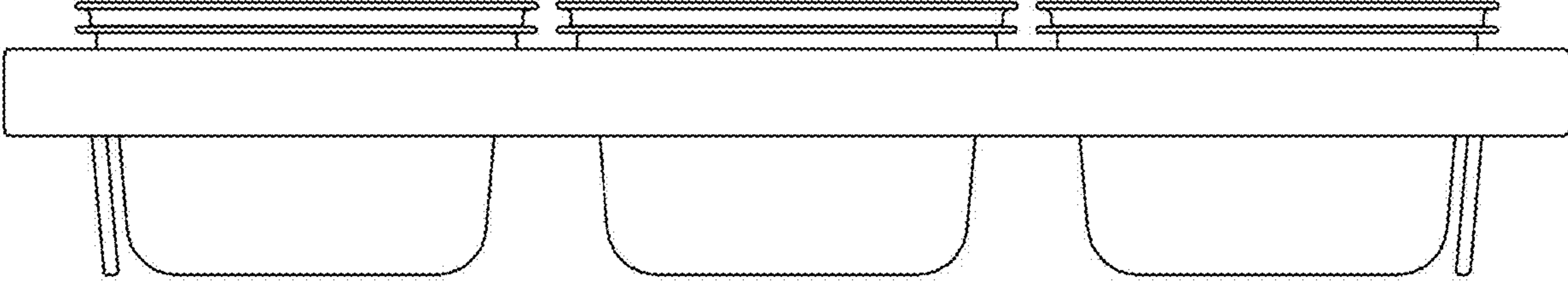
**1 Claim, 9 Drawing Sheets**



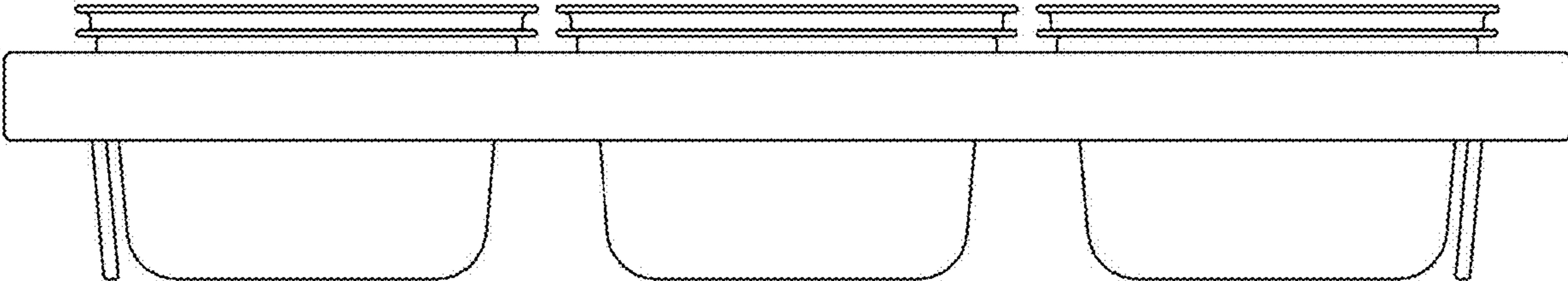
1.1



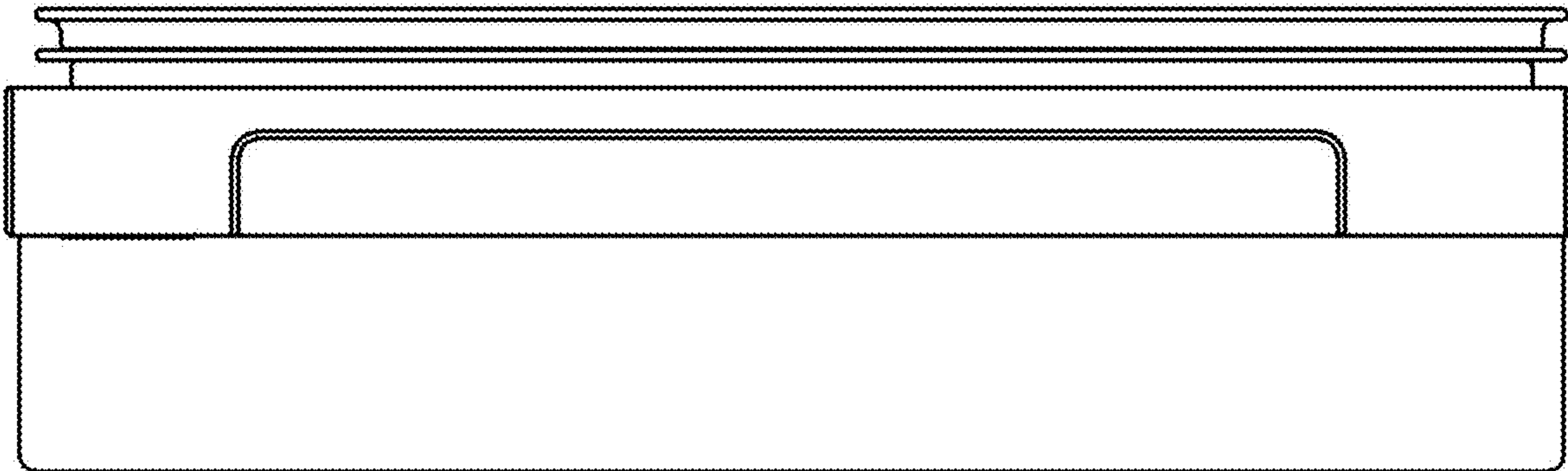
1.2



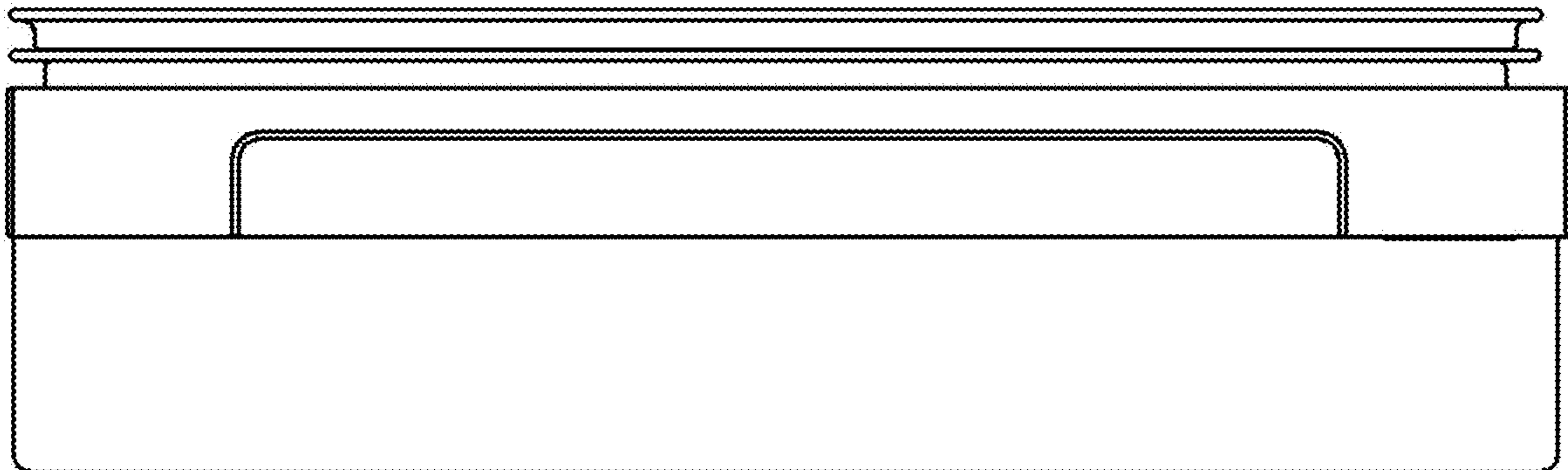
1.3



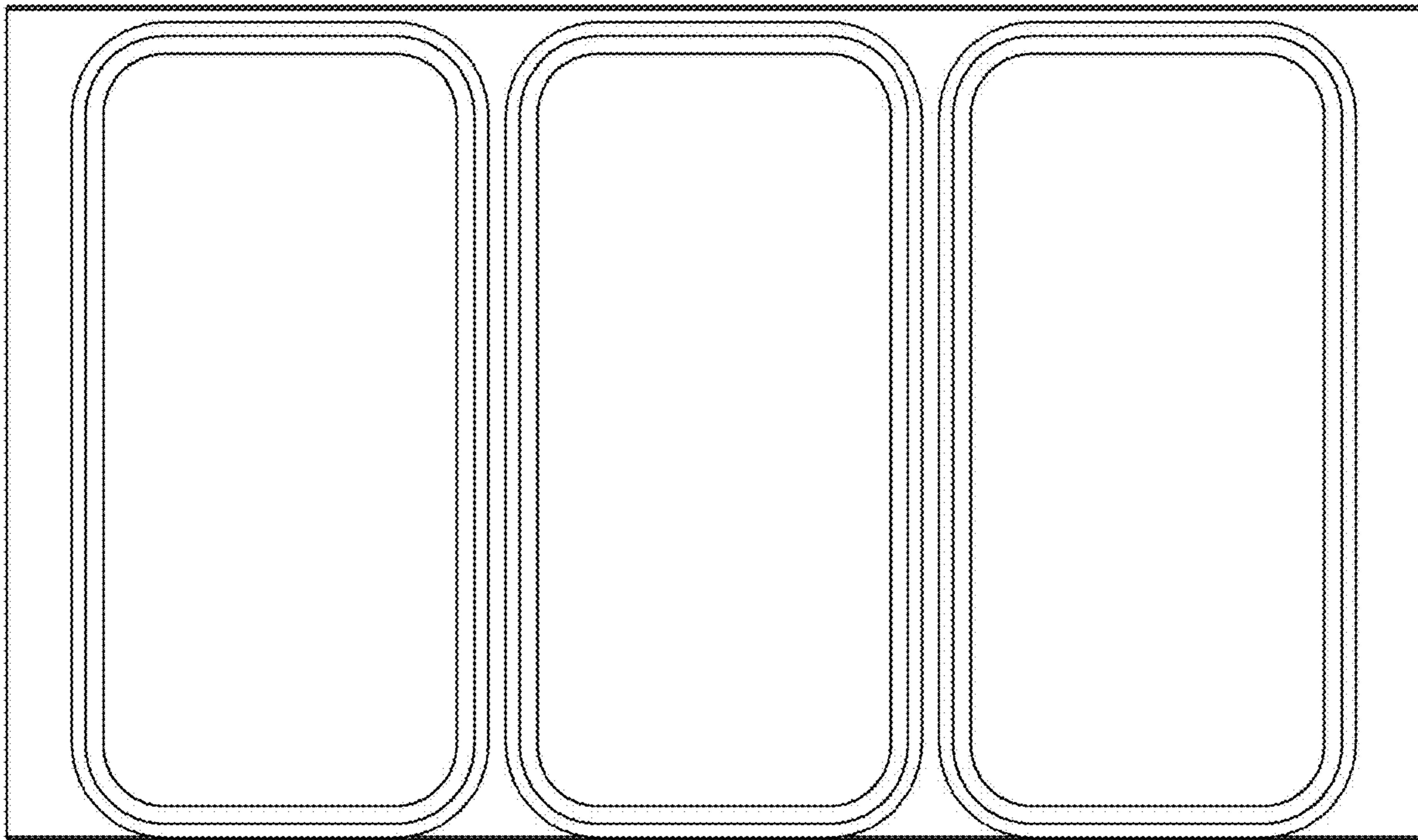
1.4



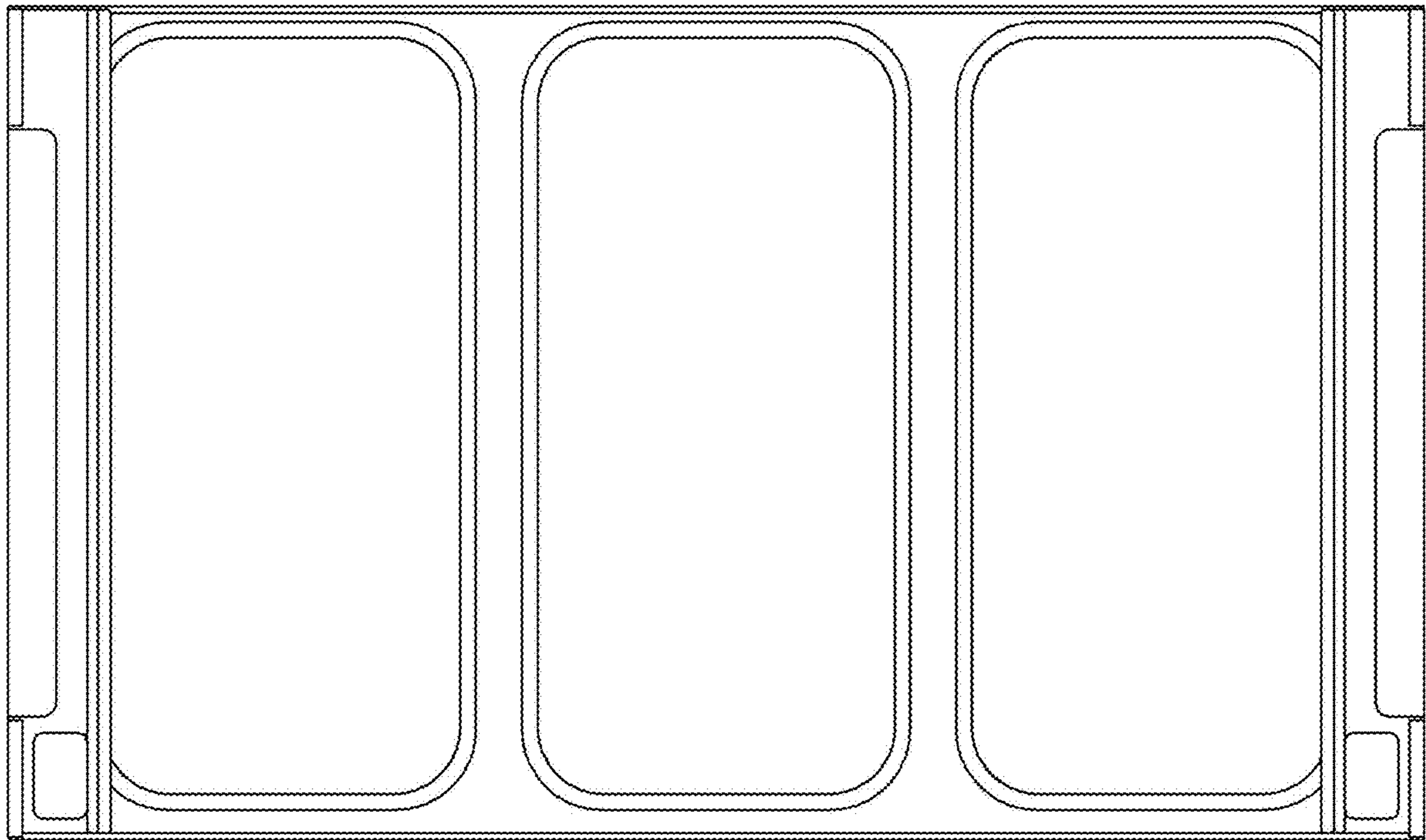
1.5



1.6

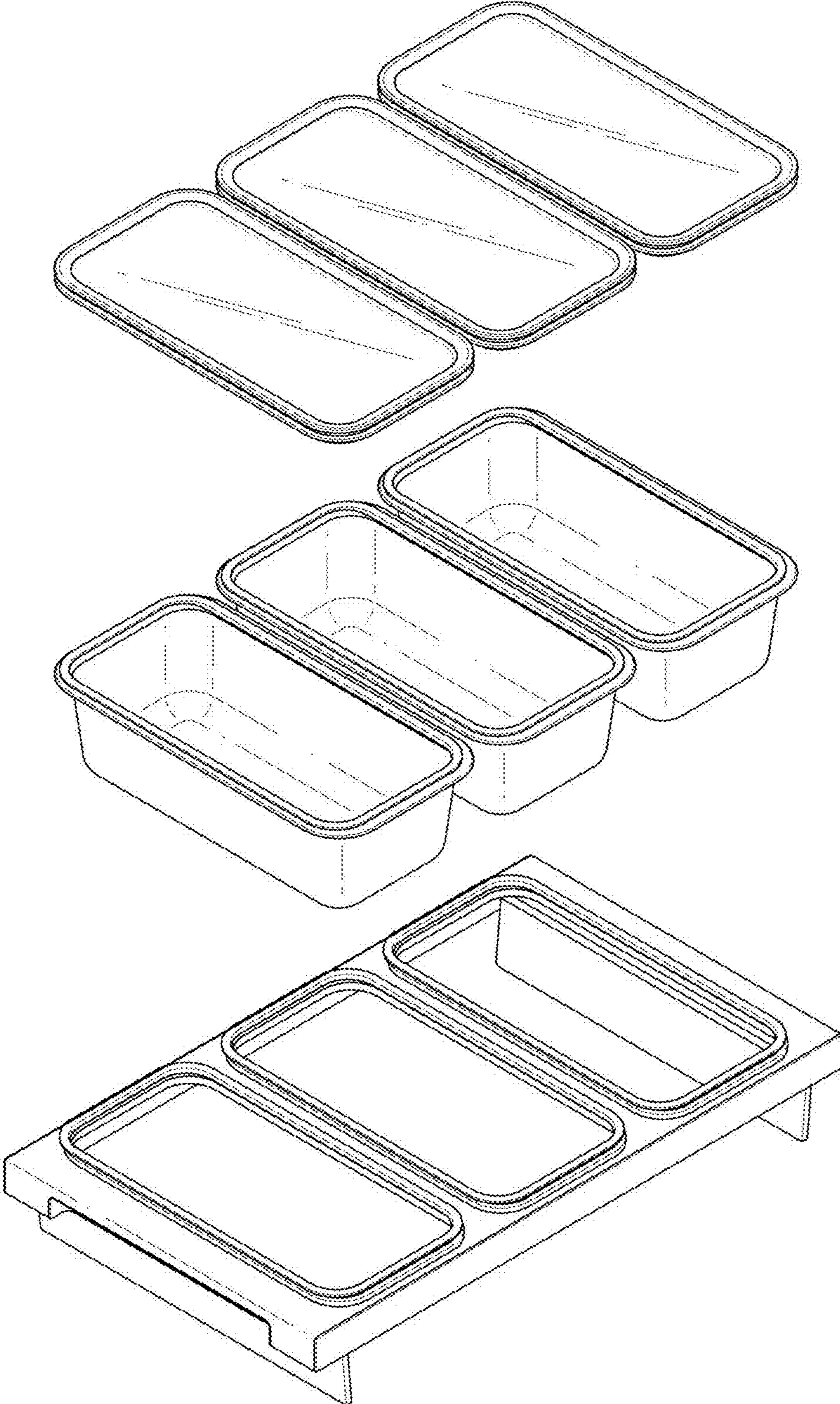


1.7





1.8



1.9

