



US00D923667S

(12) **United States Design Patent** (10) **Patent No.:** **US D923,667 S**  
**Mochizuki et al.** (45) **Date of Patent:** **\*\* Jun. 29, 2021**

(54) **CONTROL PANEL FOR MEDICAL REFRIGERATOR**

5,850,333 A \* 12/1998 Owanesian ..... H05K 5/0213  
361/704

(71) Applicant: **PHC HOLDINGS CORPORATION,**  
Tokyo (JP)

D422,971 S 4/2000 Leib  
D534,554 S \* 1/2007 Kim ..... D15/85  
(Continued)

(72) Inventors: **Akihiro Mochizuki,** Gunma (JP);  
**Fumio Yamada,** Gunma (JP)

**FOREIGN PATENT DOCUMENTS**

(73) Assignee: **PHC HOLDINGS CORPORATION,**  
Tokyo (JP)

JP D1366754 S 8/2009

*Primary Examiner* — Selina Sikder

(74) *Attorney, Agent, or Firm* — Brinks Gilson & Lione

(\*\*) Term: **15 Years**

(57) **CLAIM**

(21) Appl. No.: **29/661,361**

We claim the ornamental design for a control panel for medical refrigerator, as shown and described.

(22) Filed: **Aug. 27, 2018**

**DESCRIPTION**

(30) **Foreign Application Priority Data**

Mar. 26, 2018 (JP) ..... 2018-006369  
Mar. 26, 2018 (JP) ..... 2018-006370

FIG. 1 is a perspective view of a control panel for medical refrigerator of the present invention;  
FIG. 2 is a front view thereof;  
FIG. 3 is a rear view thereof;  
FIG. 4 is a left side view thereof;  
FIG. 5 is a right side view thereof;  
FIG. 6 is a top plan view thereof;  
FIG. 7 is a bottom view thereof;  
FIG. 8 is a perspective view thereof shown in an environment;  
FIG. 9 is a front view thereof shown in an environment;  
FIG. 10 is a rear view thereof shown in an environment;  
FIG. 11 is a left side view thereof shown in an environment;  
FIG. 12 is a right side view thereof shown in an environment;  
FIG. 13 is a top plan view thereof shown in an environment;  
and,  
FIG. 14 is a bottom view thereof shown in an environment.  
The broken lines show parts of the controller for medical refrigerator that represent unclaimed subject matter and form no part of the claimed design.

(51) **LOC (13) Cl.** ..... **15-07**

(52) **U.S. Cl.**  
USPC ..... **D15/89; D13/162**

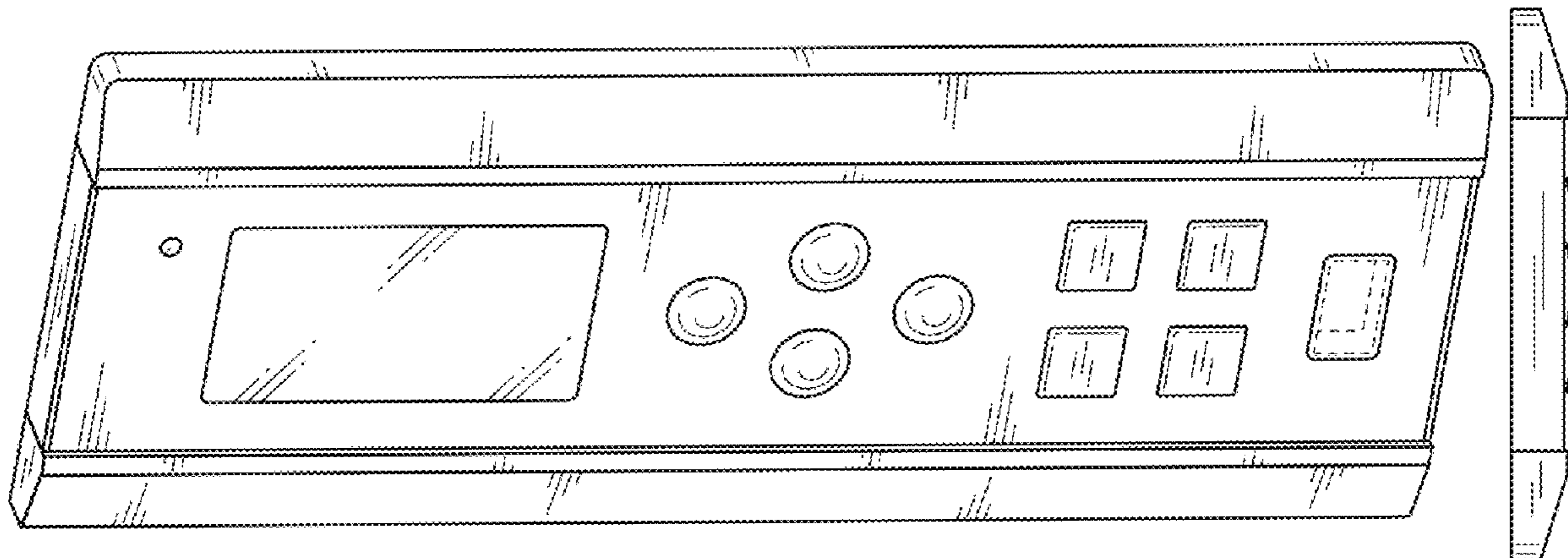
(58) **Field of Classification Search**  
USPC ..... D13/162, 164; D7/405, 406; D15/81,  
D15/85, 89, 91; D24/163; D32/3, 28  
CPC ..... B67D 1/0888; F25D 23/02; F25D 23/04;  
F25D 23/028; F25D 23/12; F25D 23/126;  
F25D 27/005; F25D 29/005  
See application file for complete search history.

(56) **References Cited**

**U.S. PATENT DOCUMENTS**

D249,248 S 9/1978 Gibbs  
D275,105 S \* 8/1984 Kuschewski ..... D13/164  
D297,419 S \* 8/1988 Bonnema ..... D10/50  
D299,922 S 2/1989 Schremmer  
D307,002 S \* 4/1990 Thomas ..... D13/164  
D319,102 S \* 8/1991 Futatsuka ..... D24/163

**1 Claim, 11 Drawing Sheets**



(56)

**References Cited**

U.S. PATENT DOCUMENTS

D554,595	S	*	11/2007	Riede .....	D13/164
D563,998	S	*	3/2008	Doberstein .....	D15/89
D577,472	S	*	9/2008	Crookshanks .....	D32/28
D629,979	S	*	12/2010	Kaczmarek .....	D32/3
D642,135	S	*	7/2011	Brennan, III .....	D13/164
D645,621	S	*	9/2011	Jenkins .....	D32/3
D647,112	S		10/2011	Okamoto et al.	
D652,930	S	*	1/2012	Okamoto .....	D24/163
D660,328	S	*	5/2012	Doberstein .....	D15/89
D693,069	S	*	11/2013	Grobleben .....	D32/3
D705,605	S	*	5/2014	Kwack .....	D7/406
D738,938	S	*	9/2015	Yamada .....	D15/89
D748,065	S		1/2016	Trochum et al.	
D775,770	S	*	1/2017	Yoon .....	D32/2
D793,346	S	*	8/2017	Folk .....	D13/162
D802,650	S		11/2017	Hoshi	
D825,122	S	*	8/2018	Conn .....	D32/28
D839,320	S	*	1/2019	Mochizuki .....	D15/89
D851,138	S	*	6/2019	Murobayashi .....	D15/81
D854,161	S	*	7/2019	Suda .....	D24/164

\* cited by examiner

FIG. 1

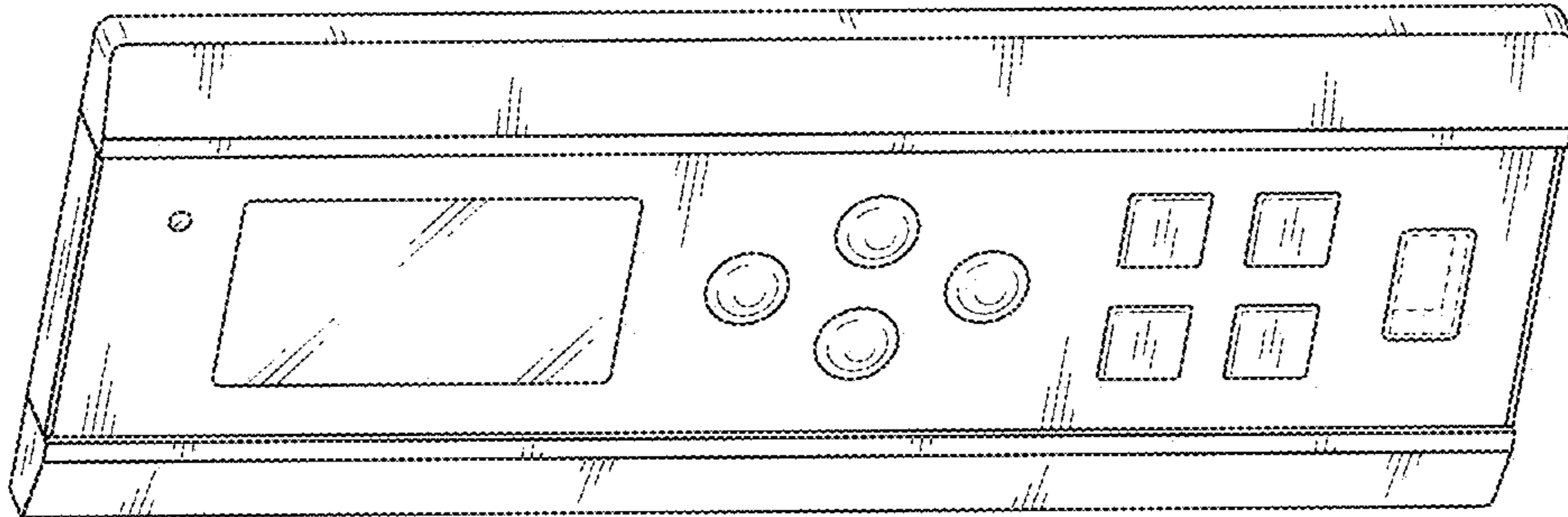


FIG. 2

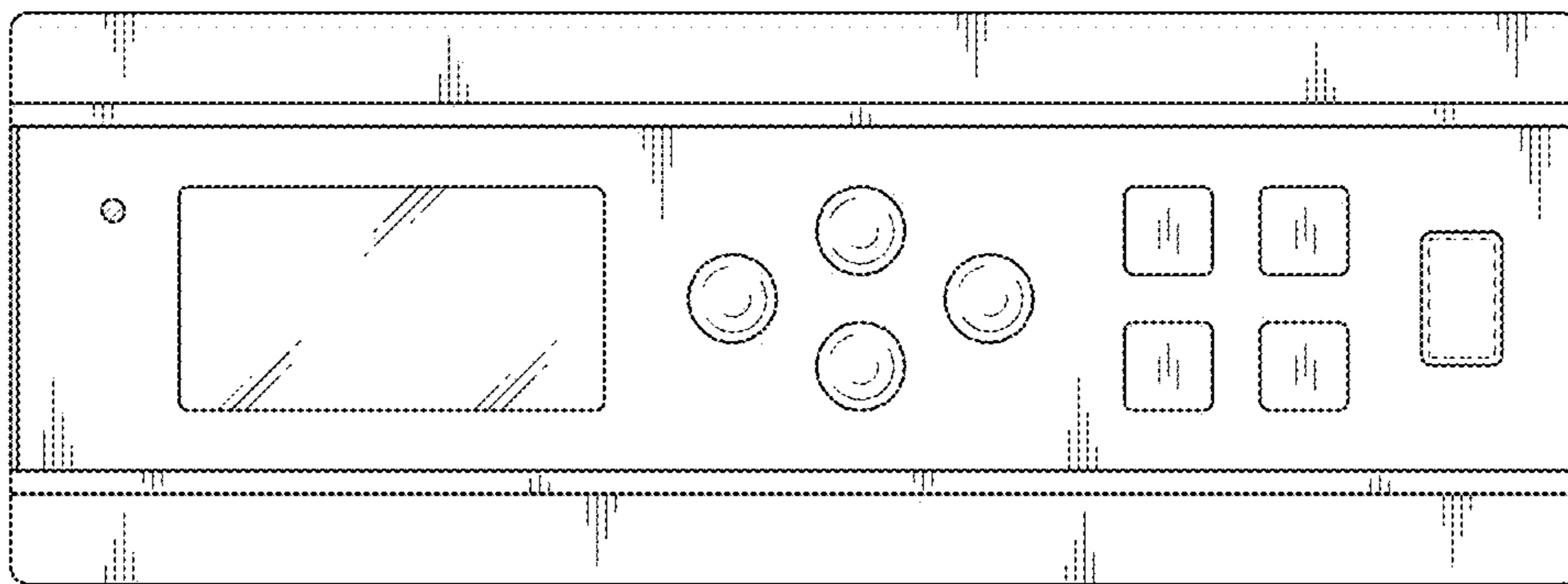


FIG. 3

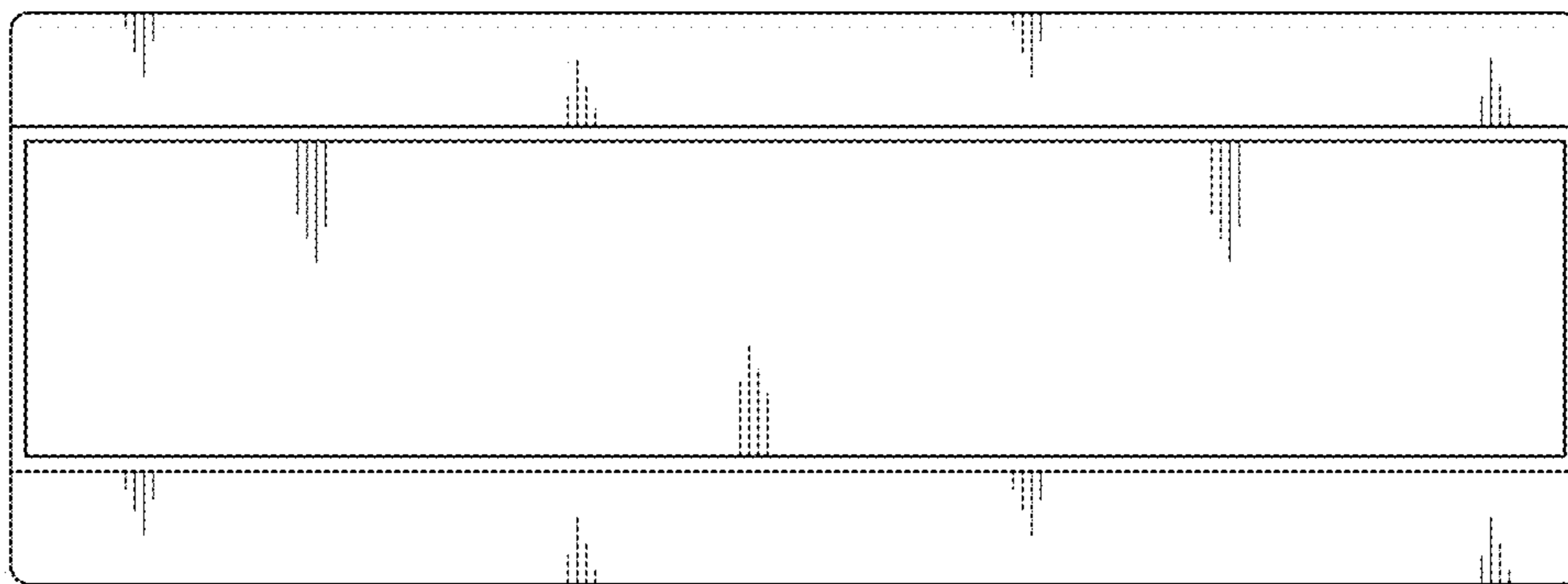


FIG. 4



FIG. 5

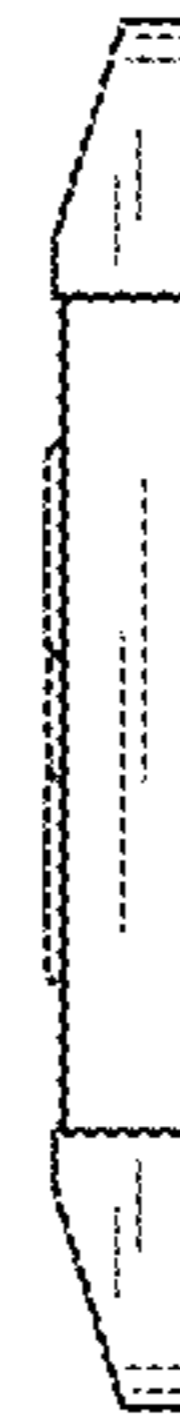


FIG. 6

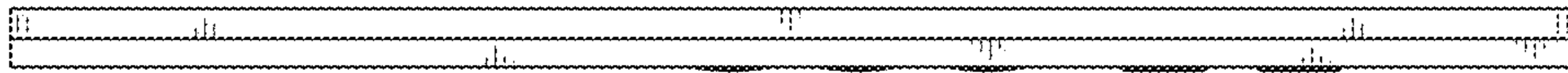


FIG. 7

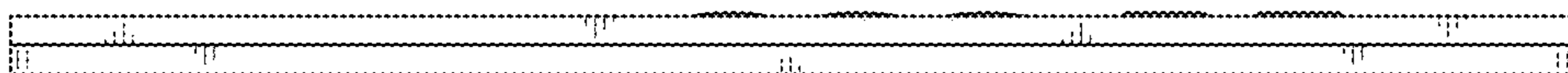


FIG. 8

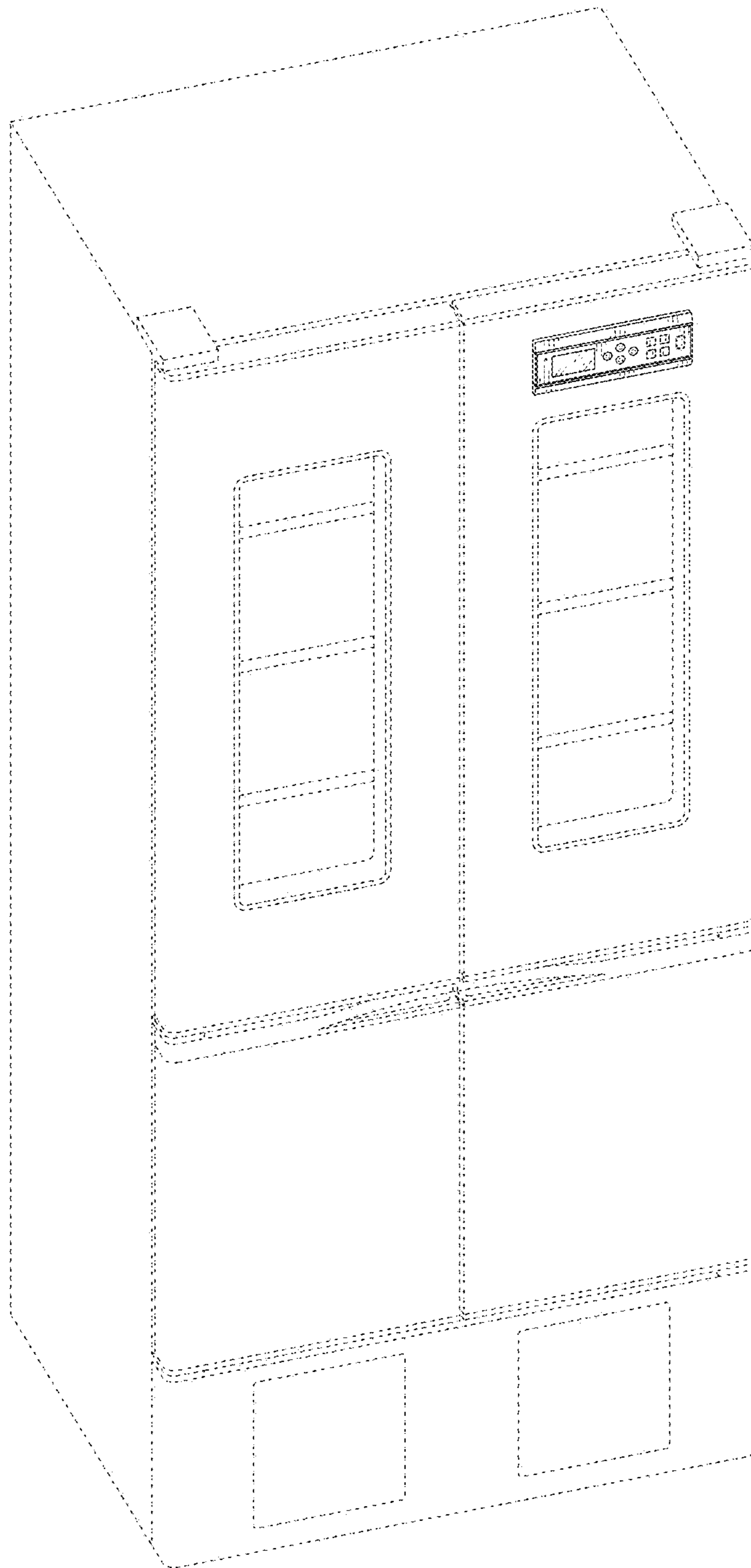




FIG. 9

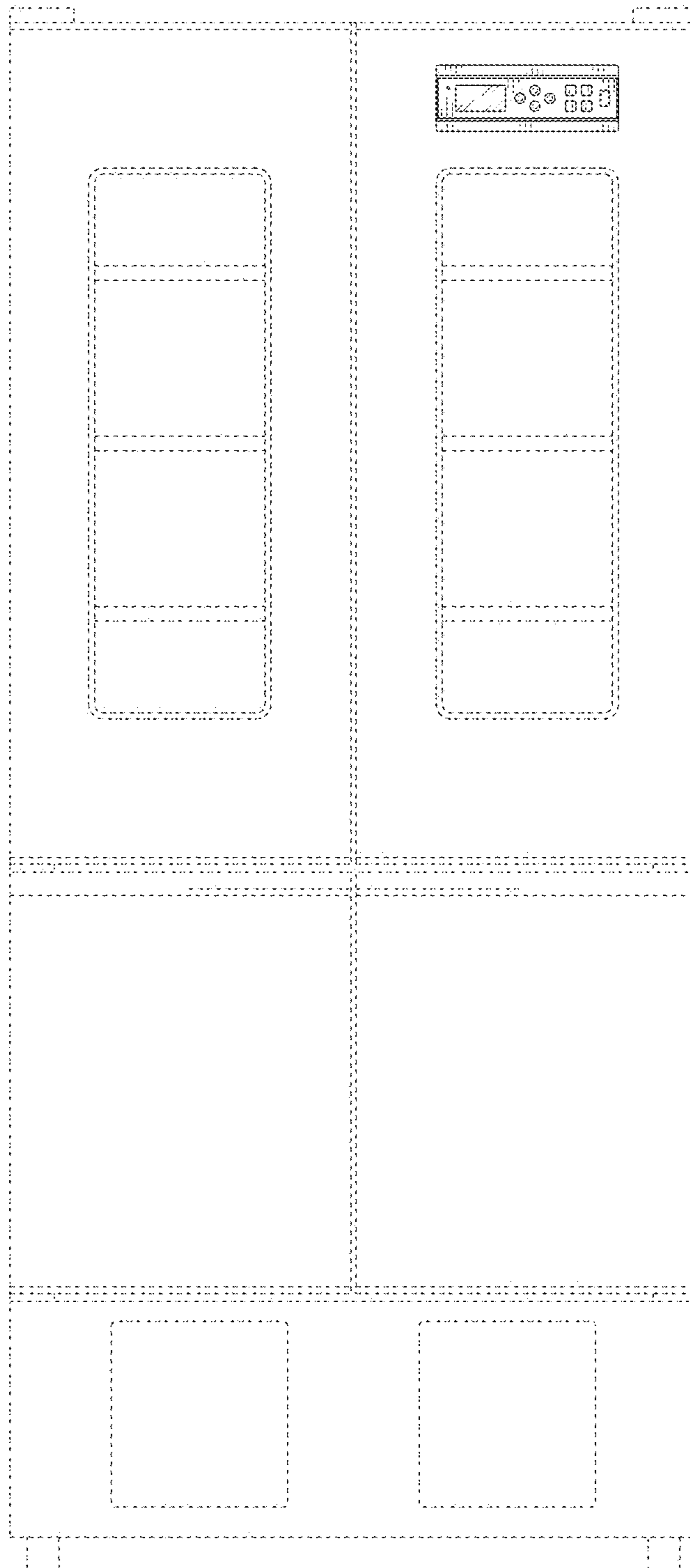


FIG. 10



FIG. 11

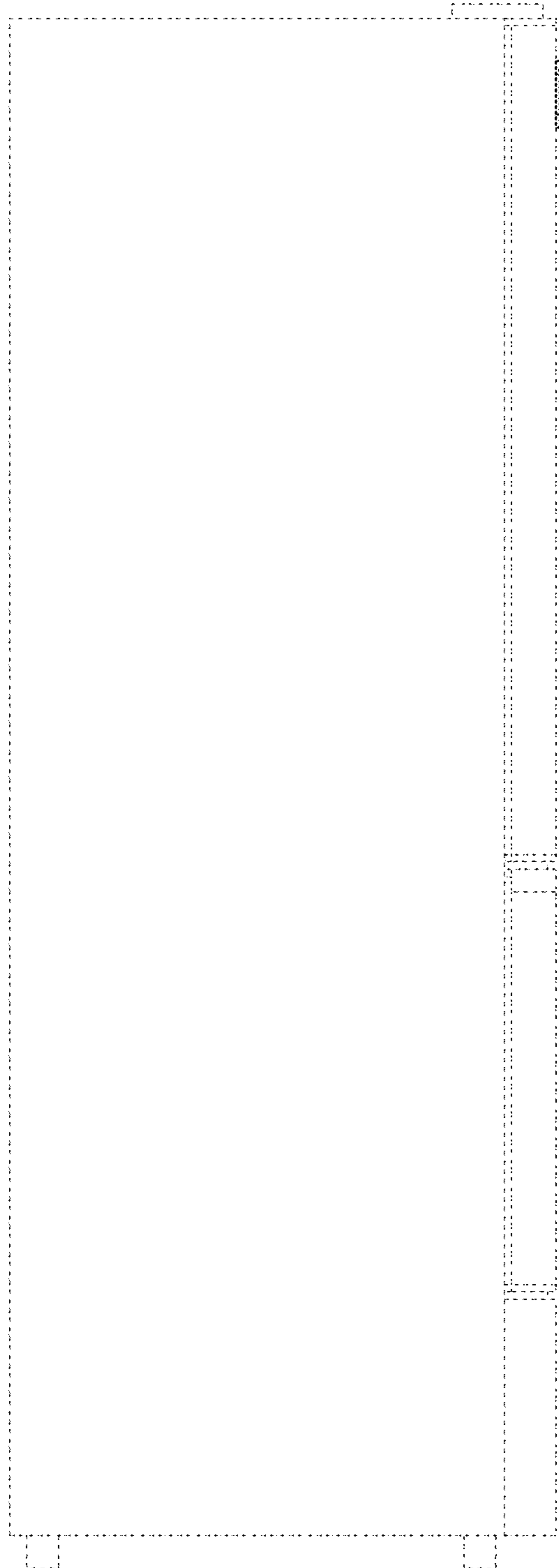


FIG. 12

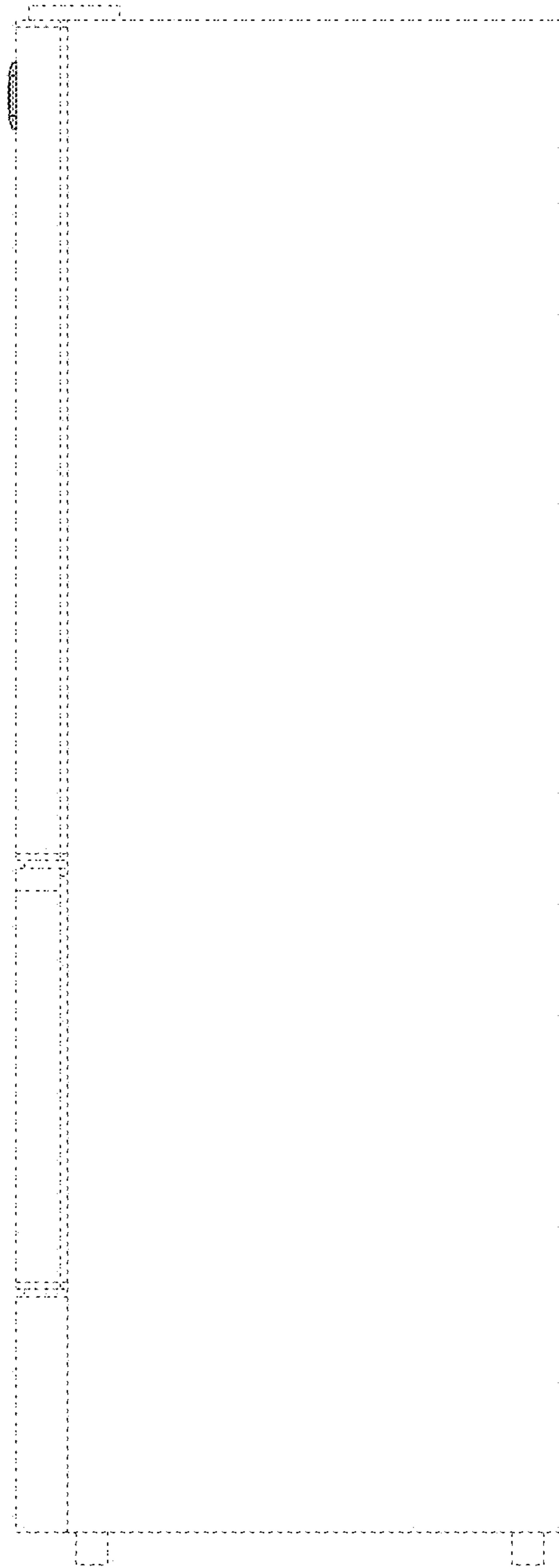


FIG. 13

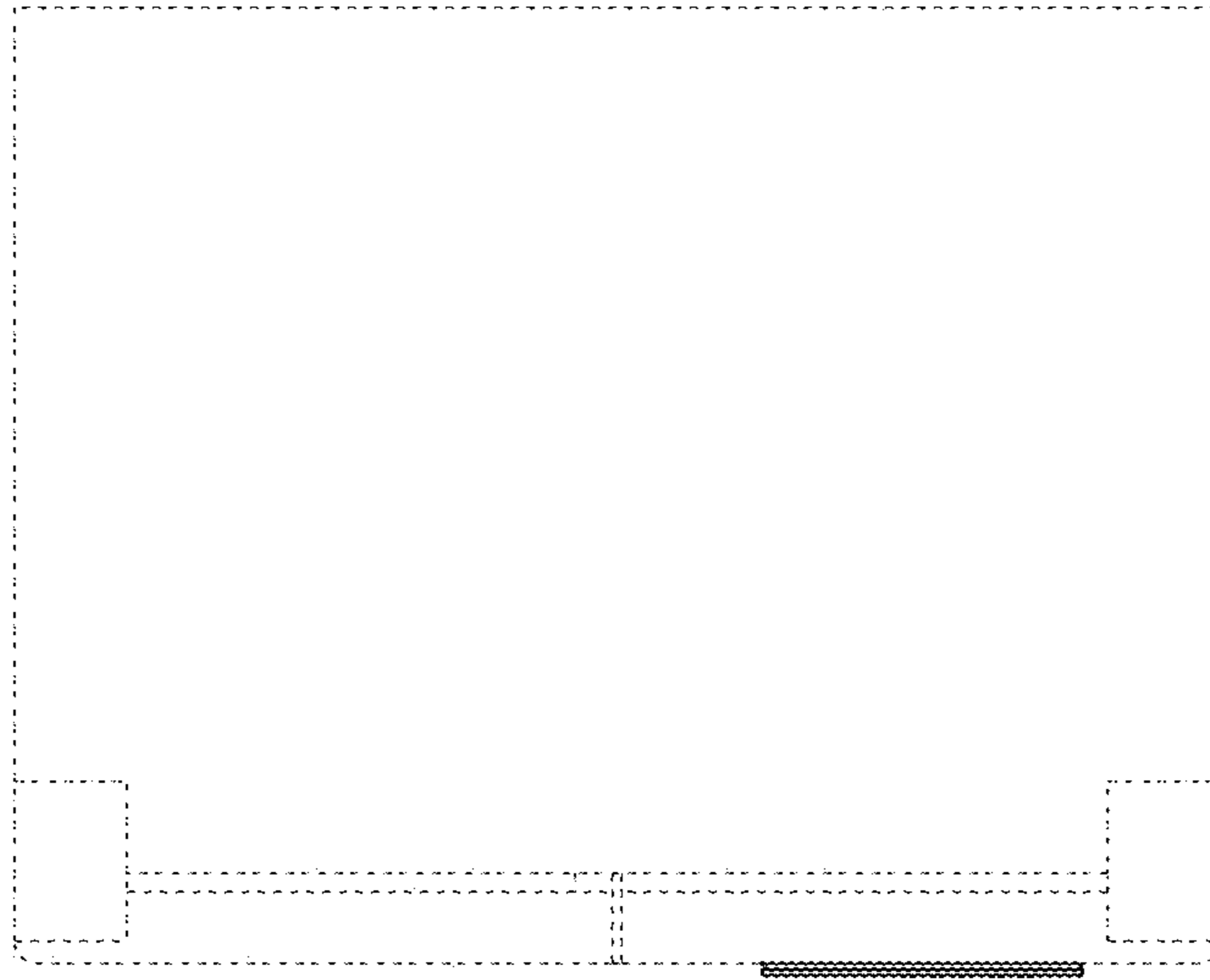


FIG. 14

