



US00D923666S

(12) **United States Design Patent**
Ishii

(10) **Patent No.:** **US D923,666 S**
(45) **Date of Patent:** **** Jun. 29, 2021**

(54) **HYDRAULIC EXCAVATOR**

(71) Applicant: **Hitachi Construction Machinery Co., Ltd., Tokyo (JP)**

(72) Inventor: **Takaaki Ishii, Tsuchiura (JP)**

(73) Assignee: **Hitachi Construction Machinery Co., Ltd., Tokyo (JP)**

(**) Term: **15 Years**

(21) Appl. No.: **29/739,034**

(22) Filed: **Jun. 22, 2020**

(30) **Foreign Application Priority Data**

Dec. 23, 2019 (JP) 2019-028507

(51) **LOC (13) Cl.** **15-03**

(52) **U.S. Cl.**
USPC **D15/22; D15/25**

(58) **Field of Classification Search**
USPC D15/10, 22-26, 28, 30; 180/89.1, 89.12, 180/89.13, 900, 9.1, 9.2, 9.62; 37/379; 414/694, 699, 722-724, 660, 685, 698, 414/719, 743

CPC E02F 3/32; E02F 3/76; E02F 3/40; E02F 3/325; E02F 3/352; E02F 3/384; E02F 3/425; E02F 3/437; E02F 3/627; E02F 3/964; E02F 9/163; E02F 9/0858; E02F 9/0875; E02F 9/2045; E02F 9/006; E02F 9/0808; E02F 9/0833; E02F 9/2004; E02F 9/207; E02F 9/2091; E02F 9/2246; E02F 9/2292; E02F 9/0086; E02F 9/18; F01N 13/001; F01N 2590/08

See application file for complete search history.

(56) **References Cited**

U.S. PATENT DOCUMENTS

D590,847 S * 4/2009 Yonekura D15/25
D658,211 S * 4/2012 Hiraoka D15/25

D684,599 S * 6/2013 Saito D15/24
D692,924 S * 11/2013 Hatanaka D15/24
D695,791 S * 12/2013 Hagura D15/25
D707,261 S * 6/2014 Caboret D15/24
D711,927 S * 8/2014 Yoshita D15/24
D716,845 S * 11/2014 Hayami D15/25
D725,680 S * 3/2015 Mishio D15/24
D750,672 S * 3/2016 Payne D15/25
D752,112 S * 3/2016 Hagura D15/24
D830,422 S * 10/2018 Colclough D15/24
D854,054 S * 7/2019 Hirasawa D15/22
D855,082 S * 7/2019 Okuyama D15/25
D866,614 S * 11/2019 Jilbert D15/22
D875,143 S * 2/2020 Hagura D15/24
D895,687 S * 9/2020 Phadatare D15/22
D896,284 S * 9/2020 Phadatare D15/22
D896,285 S * 9/2020 Phadatare D15/22
D905,762 S * 12/2020 Phadatare D15/22
D908,739 S * 1/2021 Zong D15/25

* cited by examiner

Primary Examiner — Mark A Goodwin

(74) *Attorney, Agent, or Firm* — Crowell & Moring LLP

(57) **CLAIM**

The ornamental design for a hydraulic excavator, as shown and described.

DESCRIPTION

FIG. 1 is a perspective view of a hydraulic excavator showing my new design;
FIG. 2 is a front view thereof;
FIG. 3 is a rear view thereof;
FIG. 4 is a left side view thereof;
FIG. 5 is a right side view thereof; and,
FIG. 6 is a top plan view thereof.
The broken lines represent portions of the hydraulic excavator that form no part of the claimed design.

1 Claim, 3 Drawing Sheets

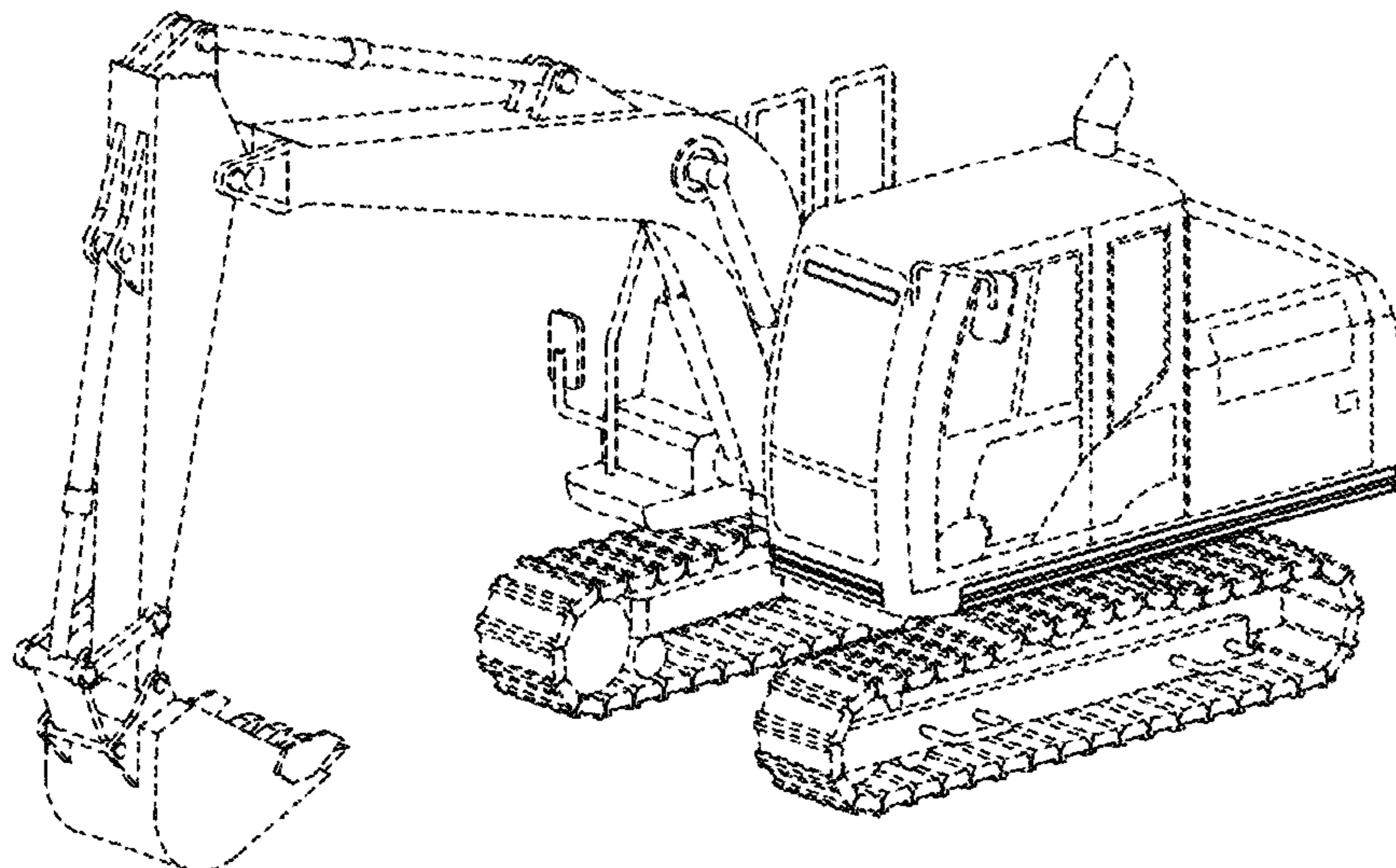


FIG. 1

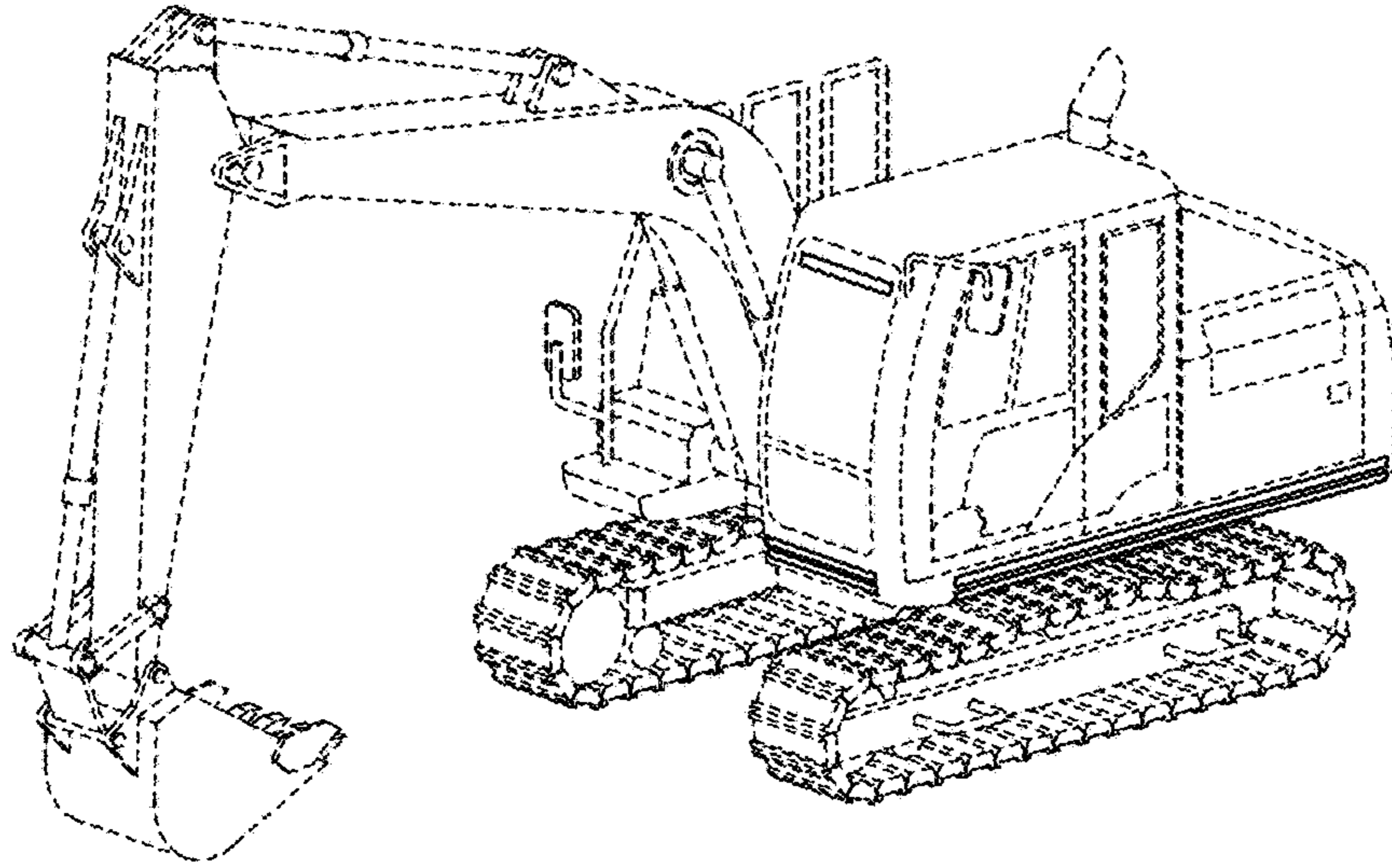


FIG. 2

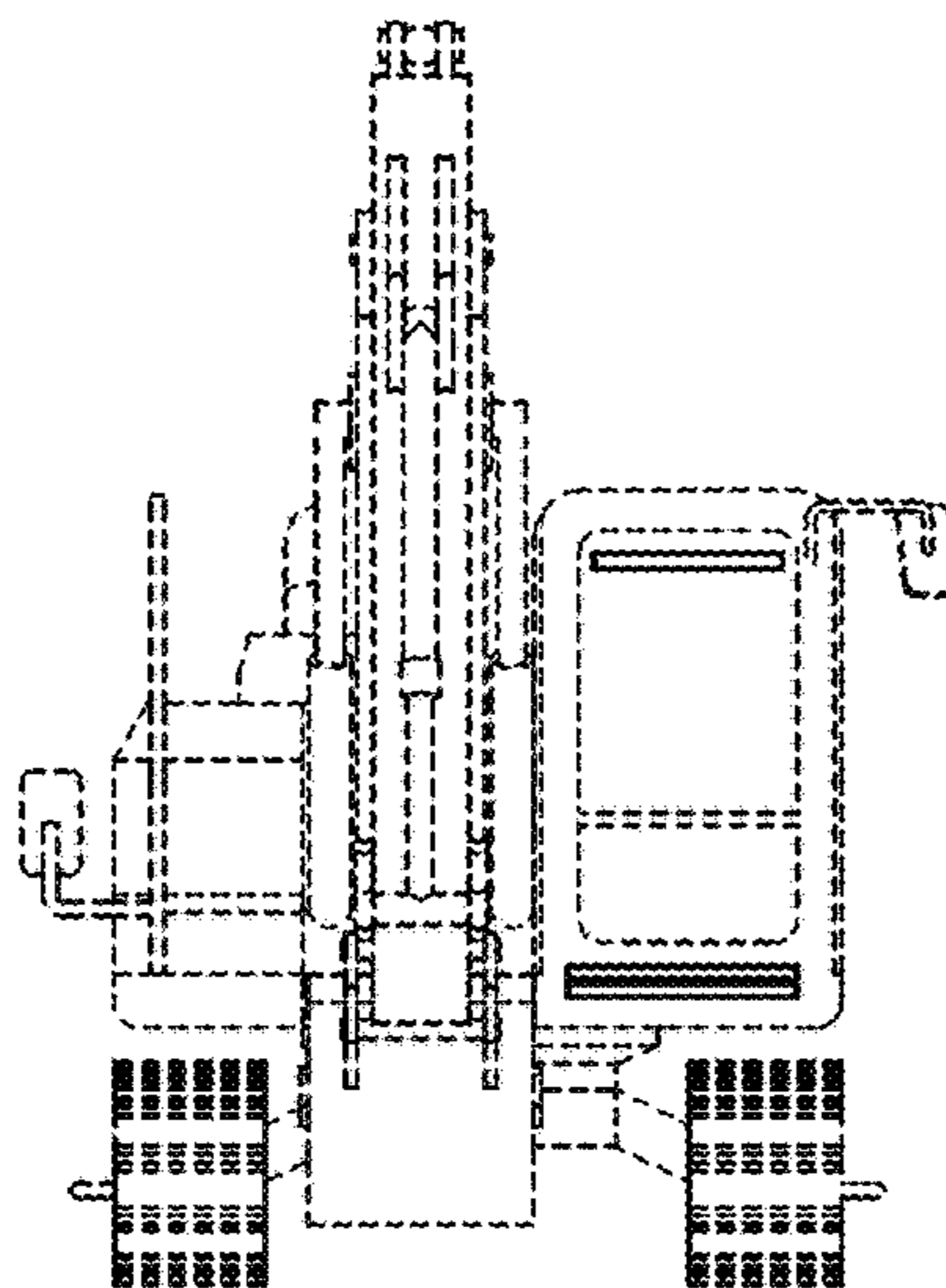


FIG. 3

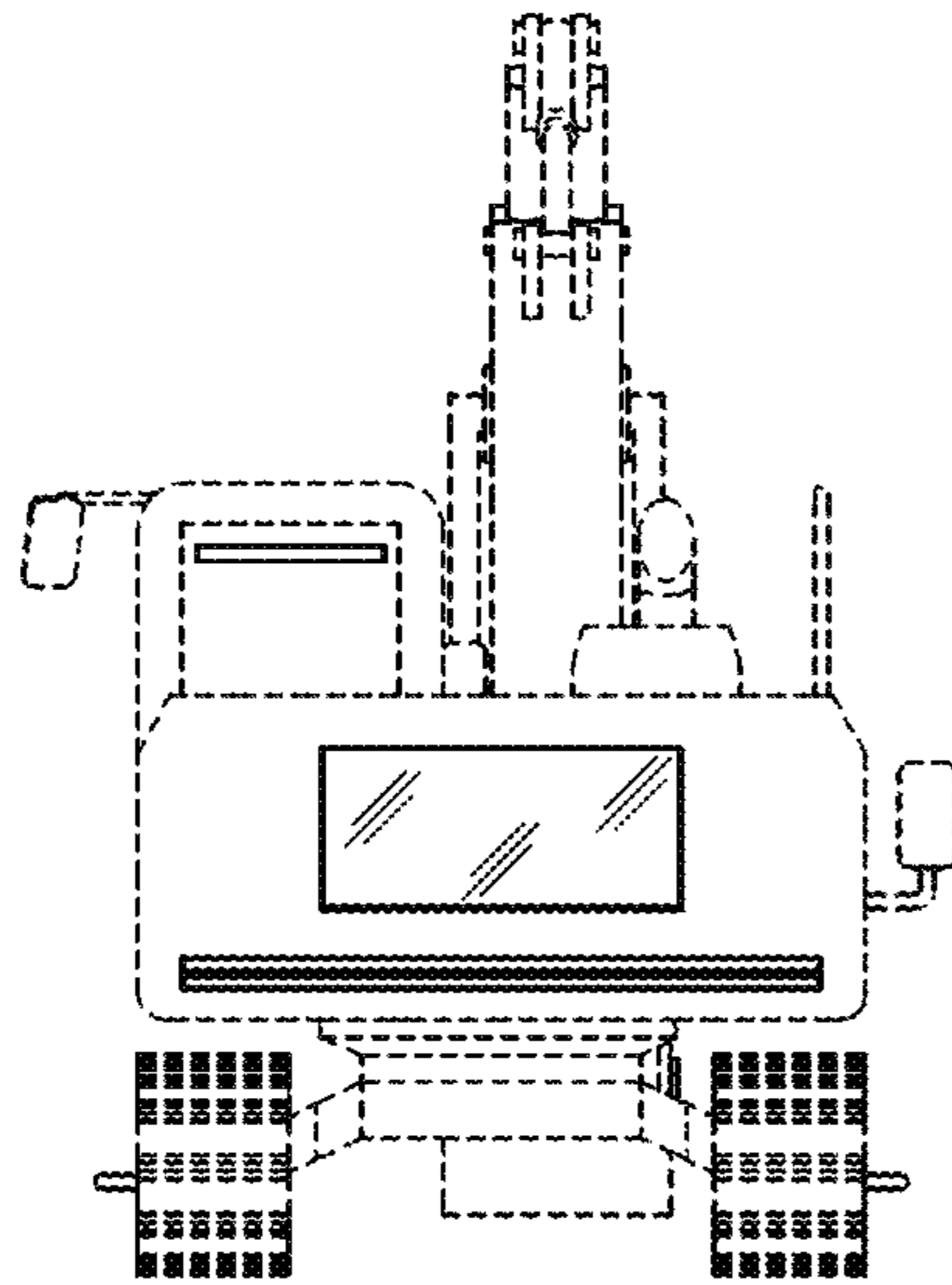


FIG. 4

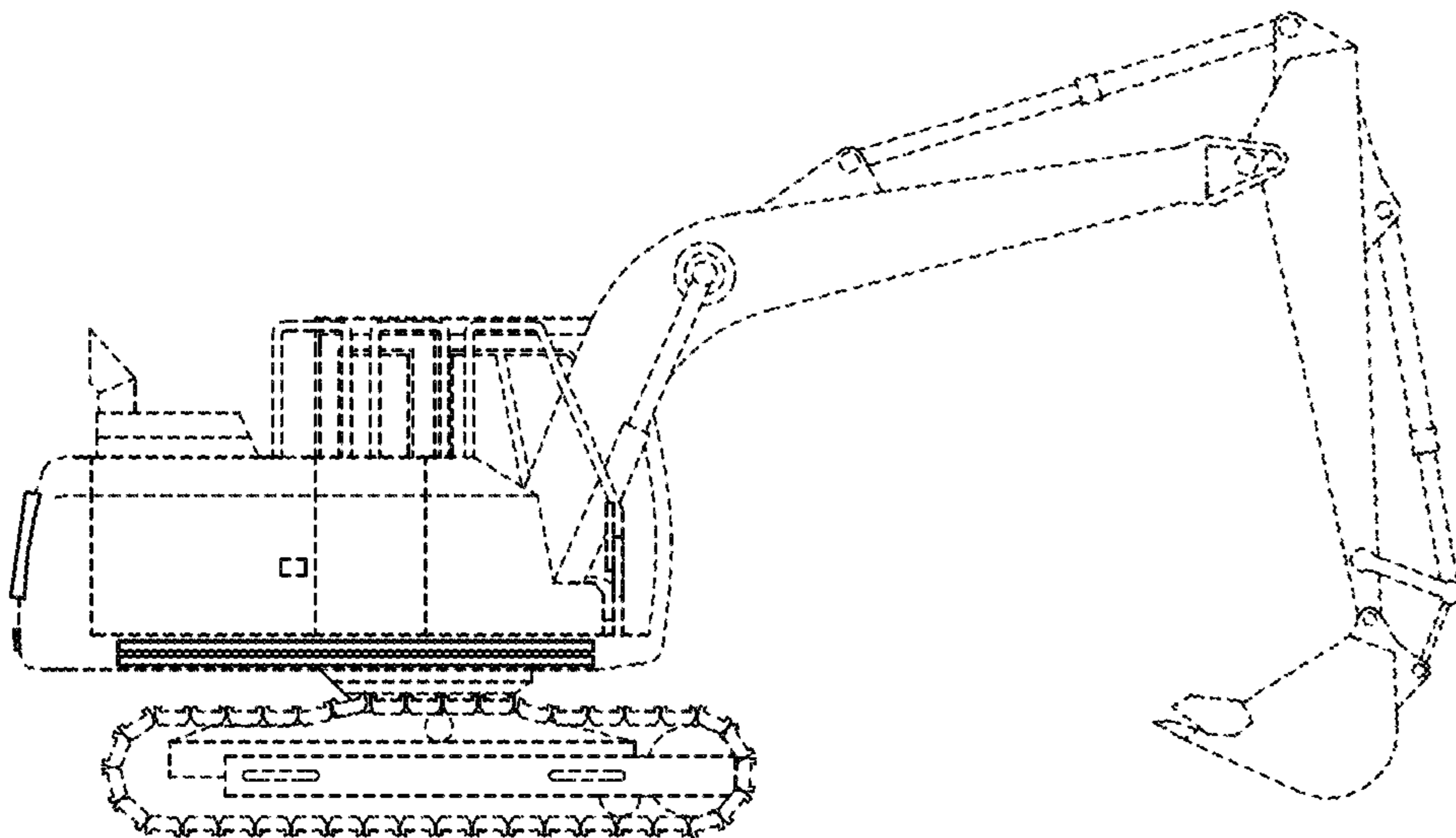


FIG. 5

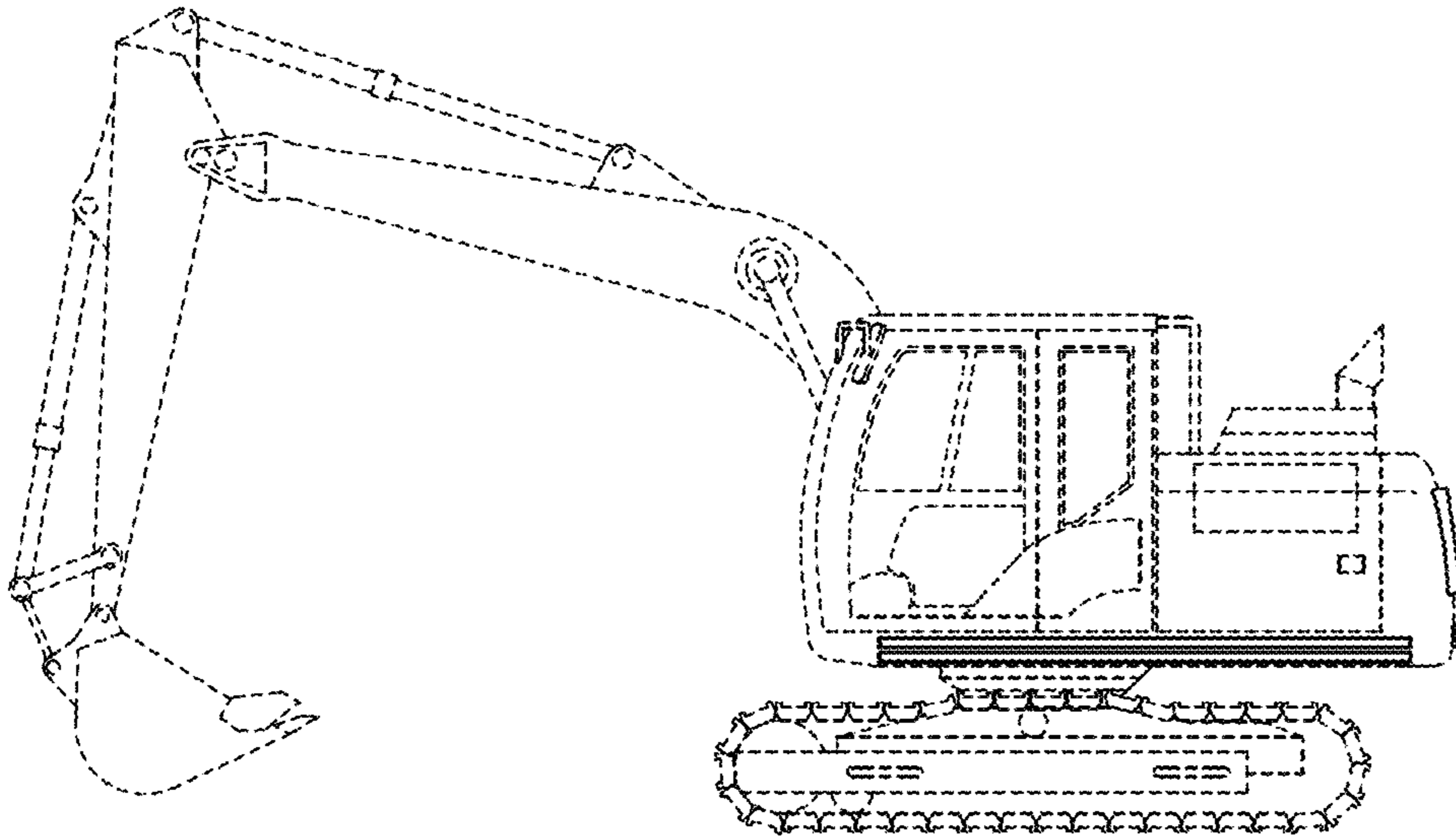


FIG. 6

