



US00D923665S

(12) **United States Design Patent**
Wang

(10) **Patent No.:** **US D923,665 S**

(45) **Date of Patent:** **** Jun. 29, 2021**

(54) **CAR AIR PUMP**

(71) Applicant: **Quanfei Wang**, Zhejiang (CN)

(72) Inventor: **Quanfei Wang**, Zhejiang (CN)

(**) Term: **15 Years**

(21) Appl. No.: **29/741,821**

(22) Filed: **Jul. 16, 2020**

(51) **LOC (13) Cl.** **15-02**

(52) **U.S. Cl.**
USPC **D15/7**

(58) **Field of Classification Search**
USPC D15/7-9, 144.1; D23/225, 231, 232,
D23/366, 356; D12/114; D14/139, 154,
D14/155, 196, 209.1, 214, 221; D24/108,
D24/110, 168, 170, 231, 232
CPC F04B 53/14; F04B 53/92; F04B 33/00;
F04B 33/005; F04B 1/005; F04B 39/102;
F04D 13/06; F04D 29/22; F04D 29/046;
F04D 29/2266; F16K 11/048; F16K
15/20; F16K 31/602; F16L 37/18; F16L
37/20

See application file for complete search history.

(56) **References Cited**

U.S. PATENT DOCUMENTS

D295,181 S *	4/1988	Vitaloni	D15/9
D296,104 S *	6/1988	Hung	D15/9
D301,887 S *	6/1989	Price	D15/7
D340,726 S *	10/1993	Wang	D15/7
D388,789 S *	1/1998	Kokkinis	D14/194
D403,330 S *	12/1998	Williams	D15/9
D407,413 S *	3/1999	Wang	D15/9
D466,908 S	12/2002	Poon	
D484,890 S *	1/2004	Hsiao	D15/9
D491,196 S	6/2004	Poon	
D498,469 S *	11/2004	Ashfield	D14/188
D518,078 S *	3/2006	Persson	D15/144.1
D540,826 S *	4/2007	Wang	D15/9
D541,309 S *	4/2007	Wang	D15/9

D548,751 S *	8/2007	Snider	D15/7
D555,472 S *	11/2007	Gedanke	D9/418
D572,273 S *	7/2008	Carpenter	D15/7
D589,533 S	3/2009	Anderson	
D597,105 S *	7/2009	Geisler	D15/9
D641,344 S *	7/2011	Thomas	D14/242
D707,719 S *	6/2014	Kamijyo	D15/7
D771,017 S *	11/2016	Sasaki	D14/214
D777,231 S *	1/2017	Ide	D15/144
D797,078 S *	9/2017	Nugent	D14/214
D814,525 S	4/2018	Yang	
D817,362 S	5/2018	Kennedy et al.	
D826,282 S *	8/2018	Mead	D15/7
D830,415 S	10/2018	Kennedy et al.	

(Continued)

OTHER PUBLICATIONS

Campbell Hausfeld, RP410099AV Home Inflation System, (first available Jul. 20, 2011), Amazon.com, URL:<<https://www.amazon.com/Campbell-Hausfeld-RP410099AV-Inflation-System/dp/B005CMHUA4>> (Year: 2011).*

Primary Examiner — Sheryl Lane
Assistant Examiner — Mark T. Philipps

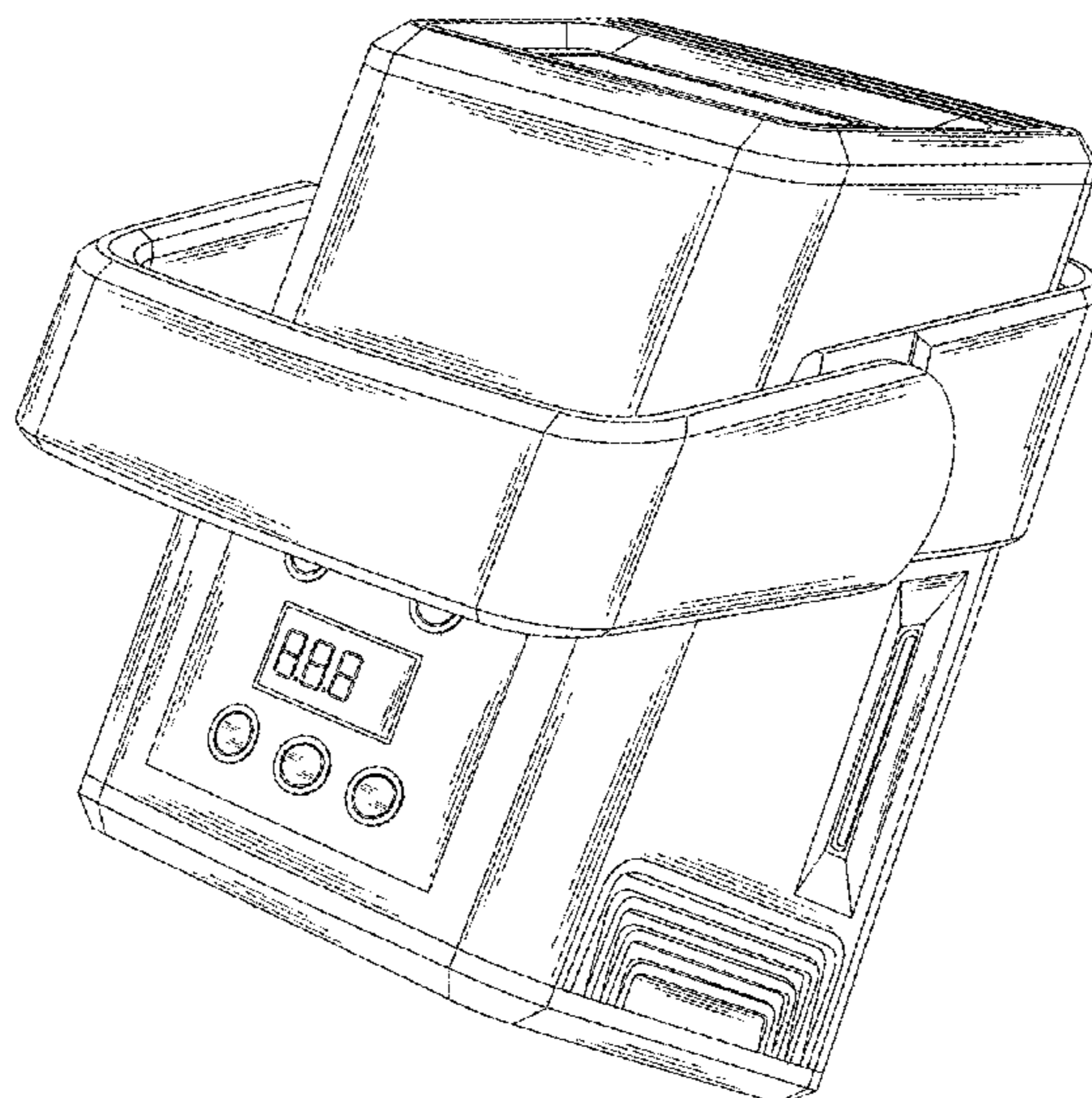
(57) **CLAIM**

The ornamental design for a car air pump, as shown and described.

DESCRIPTION

FIG. 1 is a perspective view of a car air pump showing my new design;
FIG. 2 is a front elevation view thereof;
FIG. 3 is a rear elevation view thereof;
FIG. 4 is a left side elevation view thereof;
FIG. 5 is a right side elevation view thereof;
FIG. 6 is a top plan view thereof; and,
FIG. 7 is a bottom plan view thereof.
The broken lines depict portions of the car air pump that form no part of the claimed design.

1 Claim, 7 Drawing Sheets



(56)

References Cited

U.S. PATENT DOCUMENTS

D830,417 S	10/2018	Sekula et al.	
D854,188 S *	7/2019	Schaeken	D24/232
D869,507 S	12/2019	Huang et al.	
D878,423 S *	3/2020	Andersson	D15/7
D888,013 S *	6/2020	Yu	D14/214
D896,281 S *	9/2020	Long	D15/9
D896,847 S *	9/2020	Janardhan	D15/7

* cited by examiner

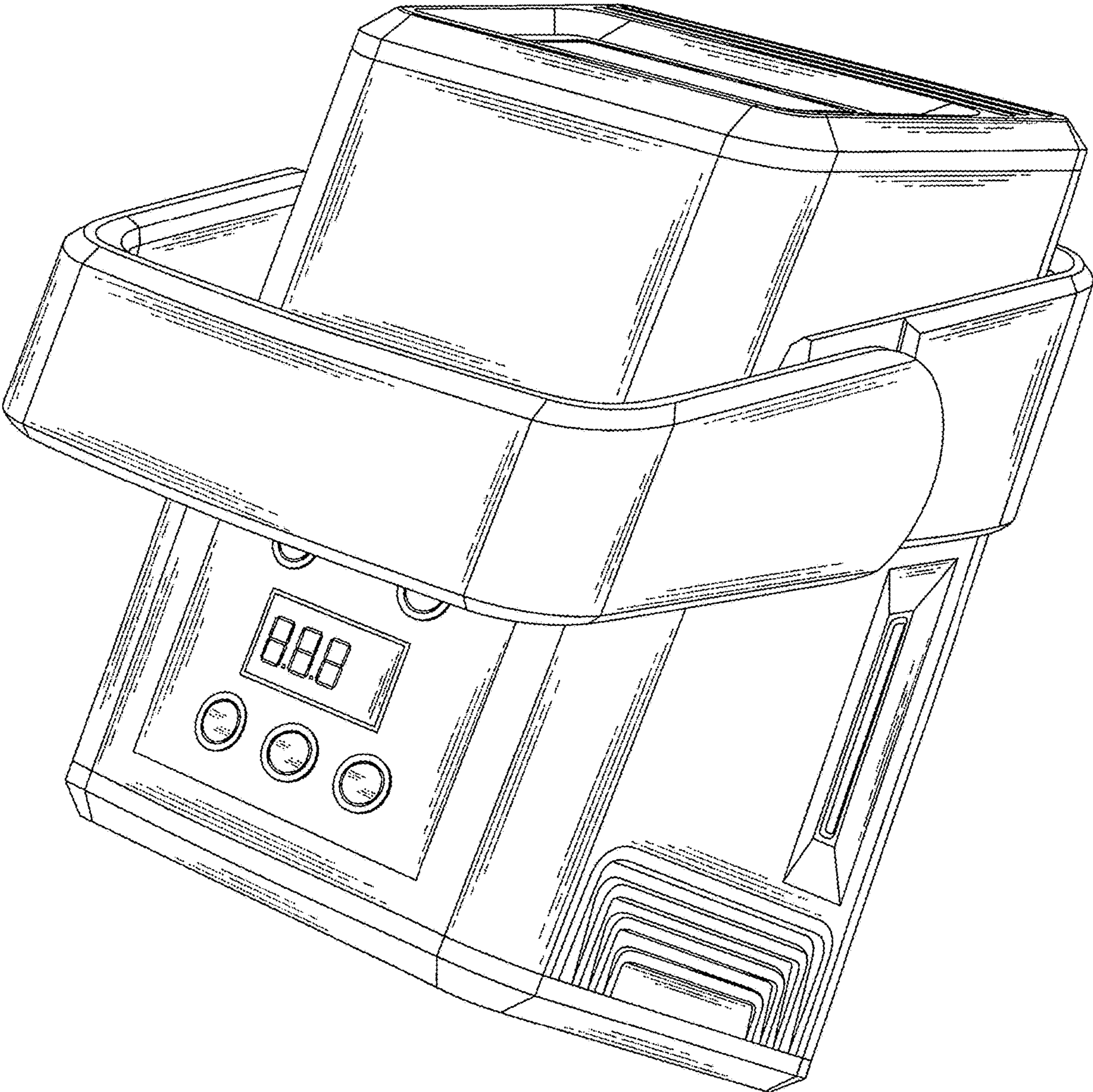


FIG. 1

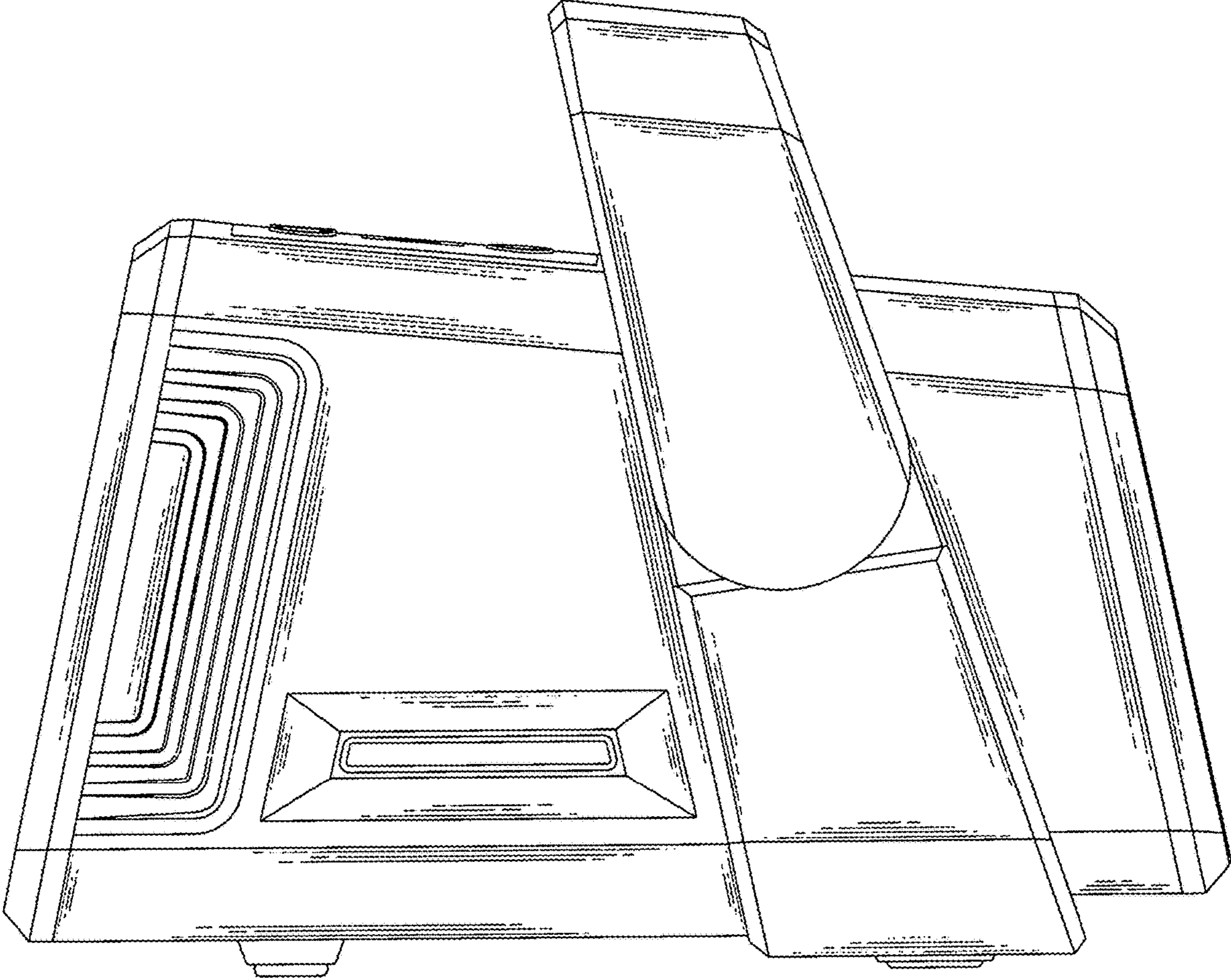


FIG. 2

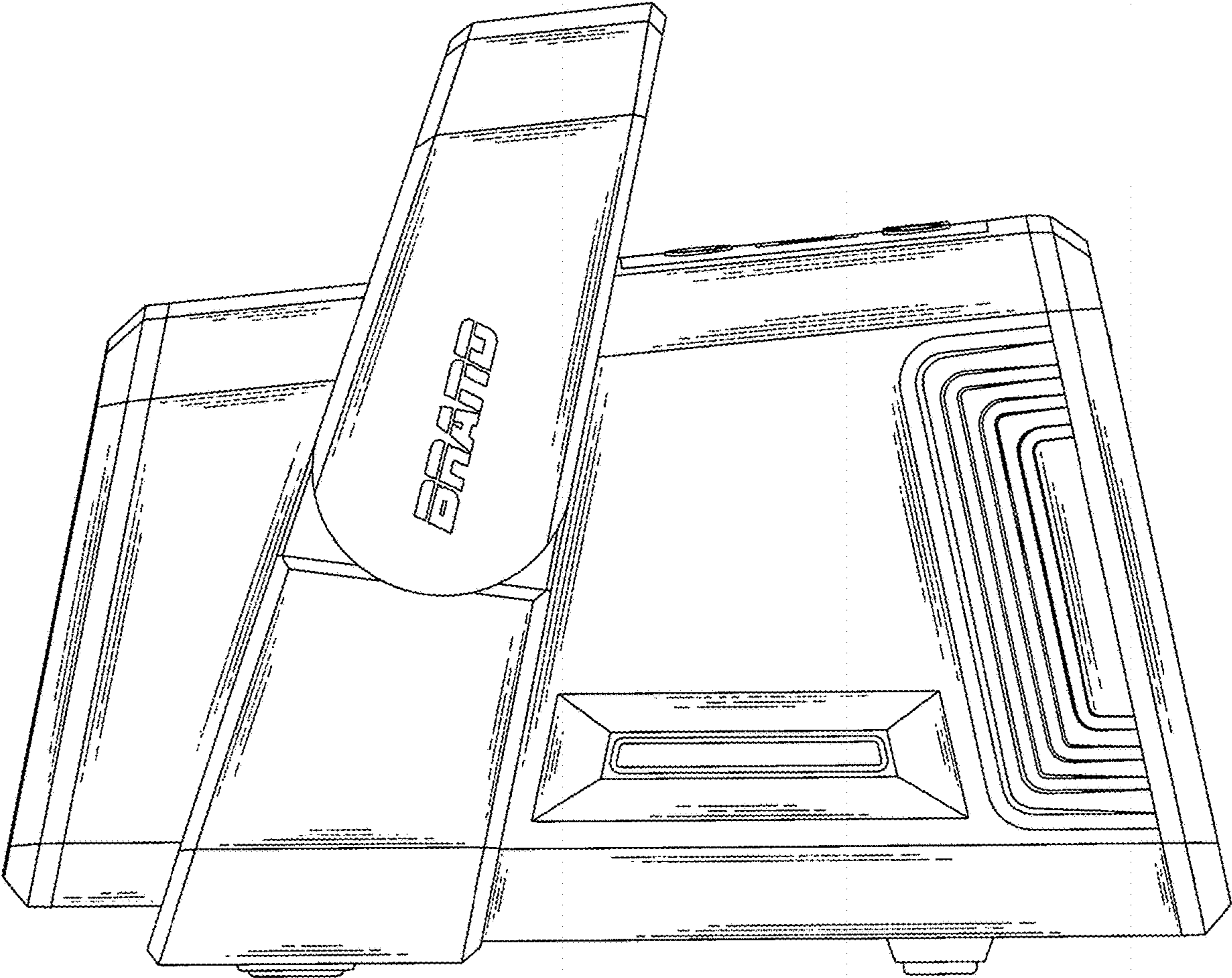


FIG. 3

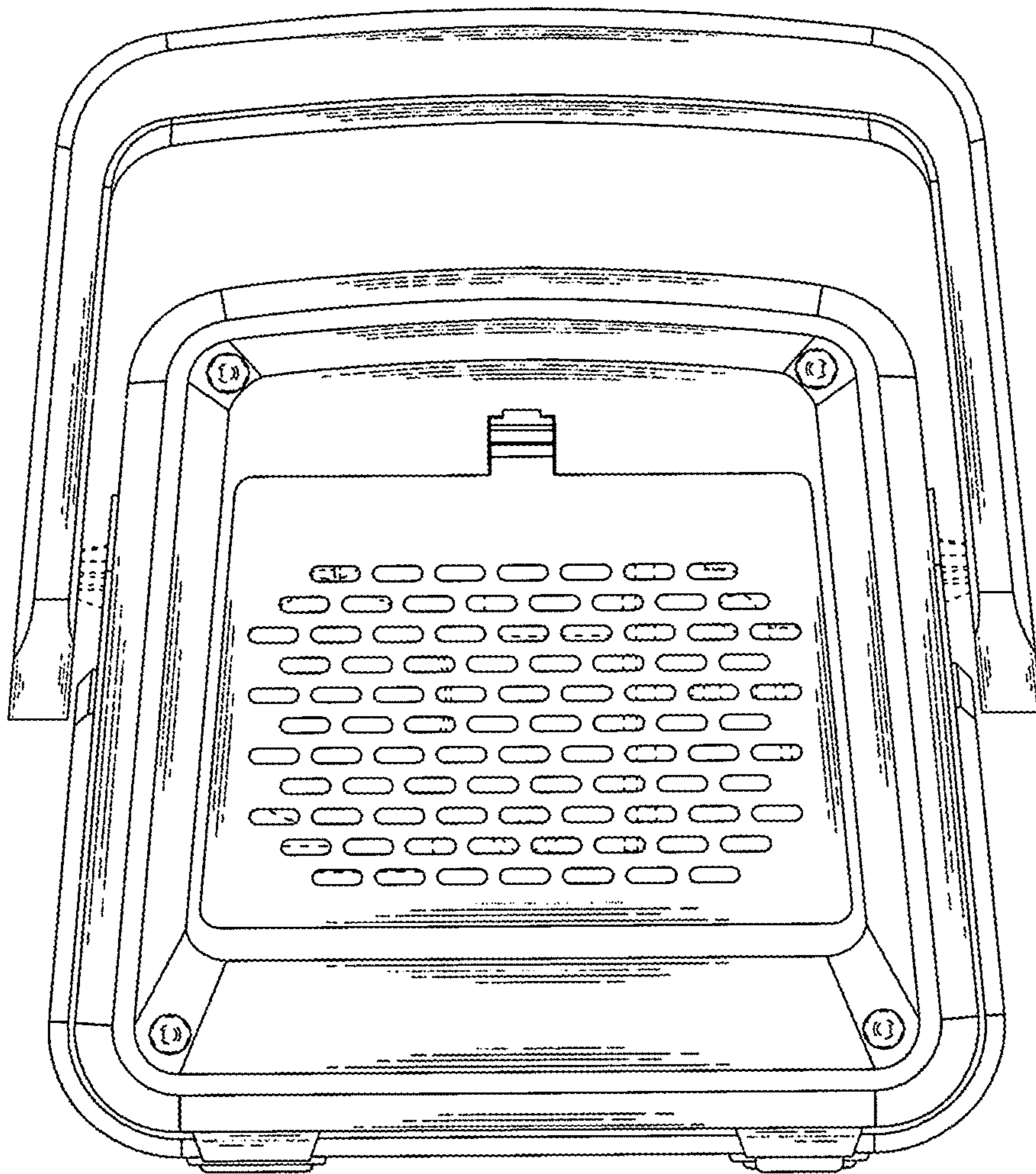


FIG. 4

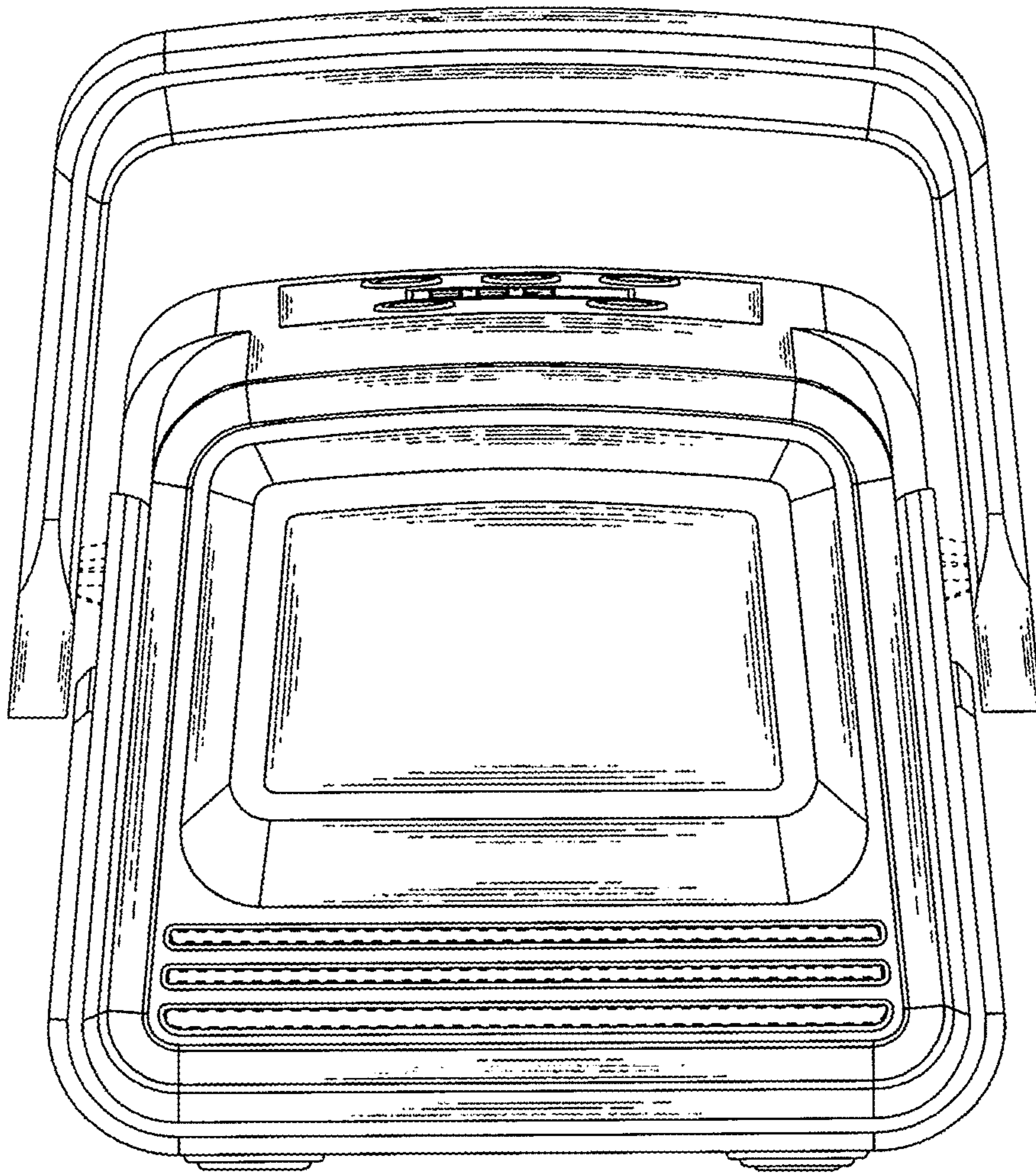


FIG. 5

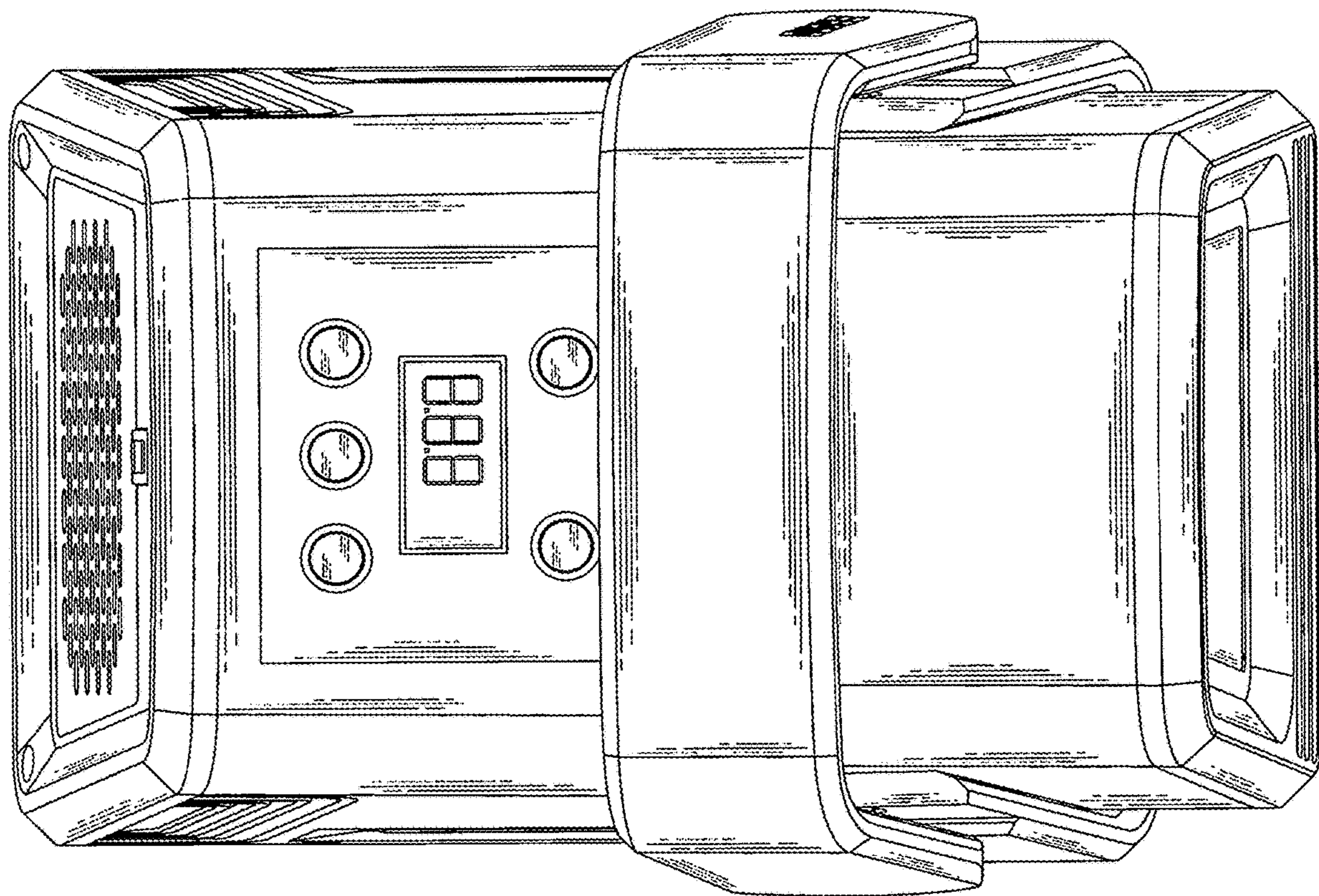


FIG. 6

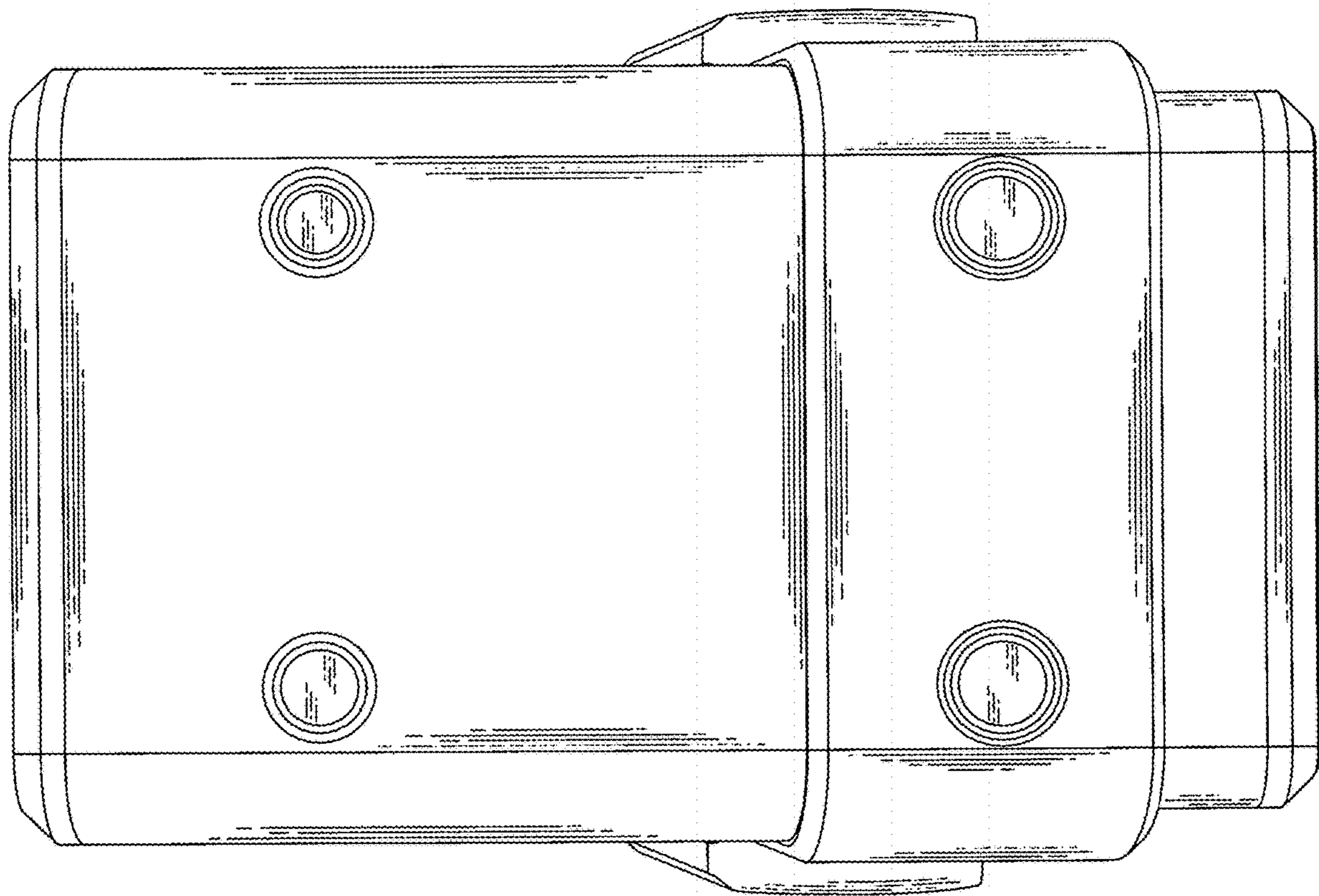


FIG. 7