



US00D923652S

(12) **United States Design Patent**  
**Sun**

(10) **Patent No.:** **US D923,652 S**  
(45) **Date of Patent:** **\*\* Jun. 29, 2021**

(54) **DISPLAY SCREEN OR PORTION THEREOF WITH ANIMATED GRAPHICAL USER INTERFACE**

(71) Applicant: **BEIJING XIAOMI MOBILE SOFTWARE CO., LTD.**, Beijing (CN)

(72) Inventor: **Changyu Sun**, Beijing (CN)

(73) Assignee: **BEIJING XIAOMI MOBILE SOFTWARE CO., LTD.**, Beijing (CN)

(\*\*) Term: **15 Years**

(21) Appl. No.: **35/509,037**

(22) Filed: **Jan. 20, 2020**

(80) **Hague Agreement Data**

Int. Filing Date: **Jan. 20, 2020**

Int. Reg. No.: **DM/206812**

Int. Reg. Date: **Jan. 20, 2020**

Int. Reg. Pub. Date: **Apr. 10, 2020**

(30) **Foreign Application Priority Data**

Aug. 23, 2019 (CN) ..... 201930462759.5

(51) **LOC (13) Cl.** ..... **14-04**

(52) **U.S. Cl.**  
USPC ..... **D14/486; D14/488**

(58) **Field of Classification Search**

USPC ..... D14/485-495

CPC ..... G06F 3/16; G06F 3/165; G06F 3/04847; G06F 3/0481; G06F 1/1692; H04M

(Continued)

(56) **References Cited**

**U.S. PATENT DOCUMENTS**

6,058,277 A \* 5/2000 Streefkerk ..... G06F 3/04847  
368/239

D624,557 S \* 9/2010 Allen ..... D14/488

D630,643 S \* 1/2011 Wilson ..... D14/486

(Continued)

**OTHER PUBLICATIONS**

Videvo, Fan Blades 1576, posted at videvo, posting date Jul. 4, 2017. Site visited Feb. 13, 2021. URL: <https://www.videvo.net/video/fan-blades-1576/823/> (Year: 2017).\*

(Continued)

*Primary Examiner* — George D. Kirschbaum

*Assistant Examiner* — Kathleen L Jones

(74) *Attorney, Agent, or Firm* — Feng Ma; Syncoda LLC

(57) **CLAIM**

The ornamental design for an display screen or portion thereof with animated graphical user interface, as shown and described.

**DESCRIPTION**

1. Display screen or portion thereof with animated graphical user interface

1.1 is a front view of a first image in a sequence of a display screen or portion thereof with animated graphical user interface shown within a broken line electronic device forming no part of the claimed design;

1.2 is a front view of a second image thereof;

1.3 is a front view of a third image thereof;

1.4 is a front view of a fourth image thereof;

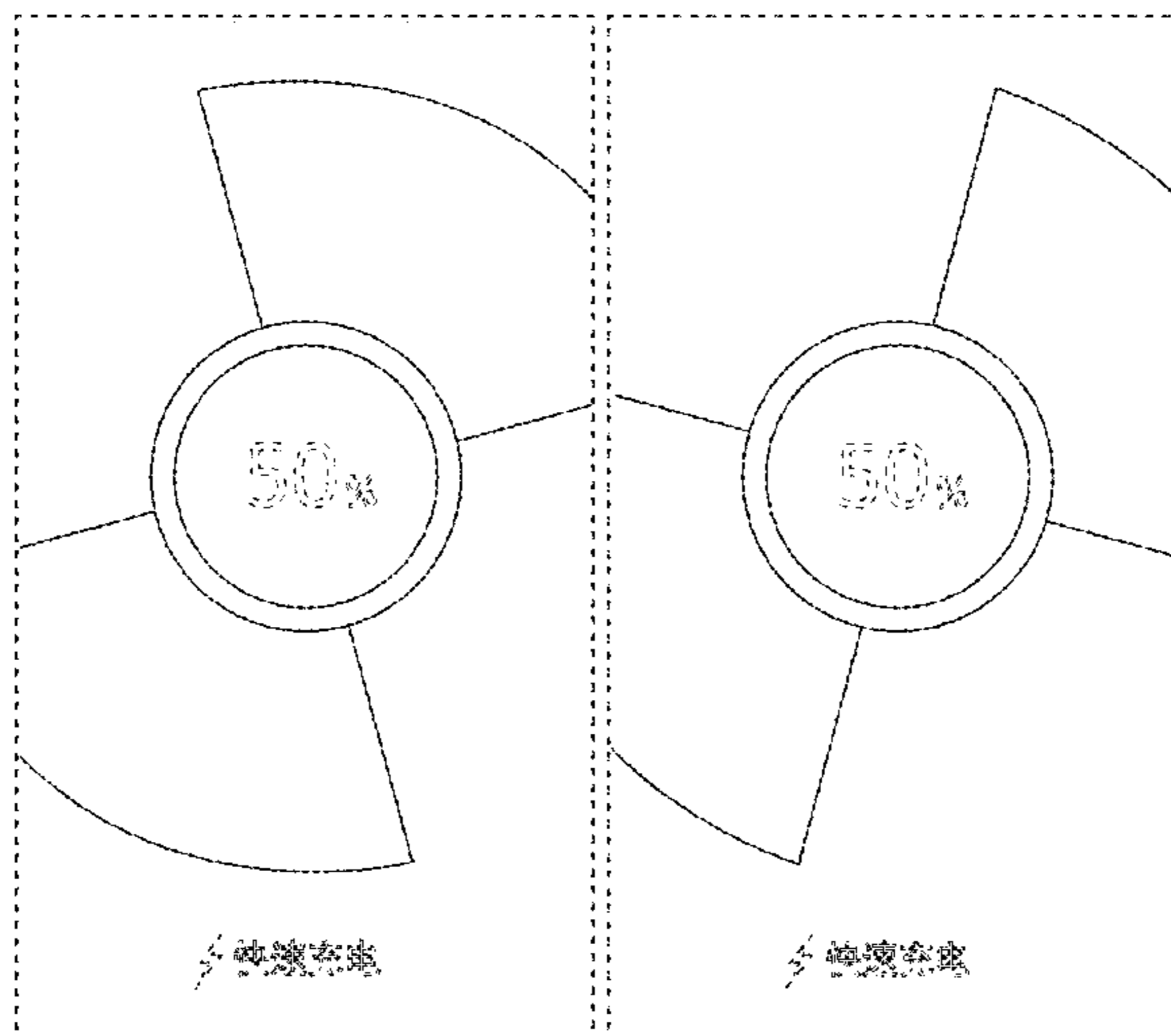
1.5 is a front view of a fifth image thereof;

1.6 is a front view of a sixth image thereof; and

1.7 is a front view of a seventh image thereof.

The appearance of the transitional image sequentially transitions between the images shown in FIGS. 1.1-1.7. The process or period in which one image transitions to another image forms no part of the claimed design. The broken lines showing the phone and the display screen or portion thereof are for the purpose of illustrating environment and form no part of the claimed design; the broken lines showing elements on the display screen illustrate portions of the graphical user interface and form no part of the claimed design.

**1 Claim, 7 Drawing Sheets**



- (58) **Field of Classification Search**  
 CPC ... 17/2558; G06Q 10/063114; H04N 1/00477;  
 G11B 27/34  
 See application file for complete search history.

(56) **References Cited**

U.S. PATENT DOCUMENTS

D750,642 S \* 3/2016 Lee ..... D14/485  
 D757,746 S \* 5/2016 Lee ..... D14/485  
 D757,817 S \* 5/2016 Pan ..... G06F 3/04817  
 D14/494  
 D761,840 S \* 7/2016 Patterson ..... D14/488  
 D764,500 S \* 8/2016 Wang ..... D14/485  
 D774,044 S \* 12/2016 Ouilhet ..... D14/485  
 D779,550 S \* 2/2017 Yang ..... D14/489  
 D786,269 S \* 5/2017 Lin ..... D14/485  
 D791,165 S \* 7/2017 Modestine ..... D14/487  
 D795,898 S \* 8/2017 Li ..... D14/486  
 D798,886 S \* 10/2017 Prophete ..... D14/485  
 D799,503 S \* 10/2017 Kim ..... D14/485  
 D800,737 S \* 10/2017 Wang ..... D14/485  
 D806,747 S \* 1/2018 Kalanick ..... D14/489  
 D807,384 S \* 1/2018 Quattrocchi ..... D14/486  
 D812,078 S \* 3/2018 Wang ..... D14/486  
 D818,489 S \* 5/2018 Lider ..... D14/488  
 D823,320 S \* 7/2018 Peeters ..... D14/485  
 D835,143 S \* 12/2018 Kim ..... D14/486  
 D836,671 S \* 12/2018 Guzman ..... D14/489  
 D838,729 S \* 1/2019 Guerrieri ..... D14/485  
 D842,332 S \* 3/2019 Patterson ..... D14/488  
 D844,013 S \* 3/2019 Peeters ..... D14/485  
 D852,209 S \* 6/2019 Wei ..... D14/486  
 D854,577 S \* 7/2019 Ko ..... D14/488  
 D857,034 S \* 8/2019 Hung ..... D14/485  
 D871,435 S \* 12/2019 Tseng ..... D14/486  
 D878,397 S \* 3/2020 Gratzki ..... D14/485

D881,904 S \* 4/2020 Angeles ..... D14/485  
 D882,615 S \* 4/2020 Dye ..... D14/486  
 10,620,590 B1 \* 4/2020 Guzman ..... G06F 3/0488  
 D884,005 S \* 5/2020 Milnark ..... D14/486  
 D884,006 S \* 5/2020 Milnark ..... D14/486  
 D885,411 S \* 5/2020 Ko ..... D14/485  
 D886,149 S \* 6/2020 Pazmino ..... D14/488  
 D888,731 S \* 6/2020 Momchilov ..... D14/485  
 D891,464 S \* 7/2020 Zurmoehle ..... D14/489  
 D892,162 S \* 8/2020 Pascoli ..... D14/489  
 D896,246 S \* 9/2020 Chesworth ..... D14/485  
 D907,660 S \* 1/2021 Lee ..... D14/488  
 2014/0143678 A1 \* 5/2014 Mistry ..... G06F 1/1694  
 715/746  
 2014/0359511 A1 \* 12/2014 Singleton ..... G01C 15/00  
 715/771  
 2015/0248235 A1 \* 9/2015 Offenberg ..... G06F 3/017  
 715/773  
 2015/0356160 A1 \* 12/2015 Berwick ..... G06F 3/04845  
 715/781  
 2016/0350503 A1 \* 12/2016 Jun ..... A61B 8/54  
 2016/0357356 A1 \* 12/2016 Migos ..... G06F 3/04886  
 2019/0336101 A1 \* 11/2019 Chiang ..... G01S 7/5202

OTHER PUBLICATIONS

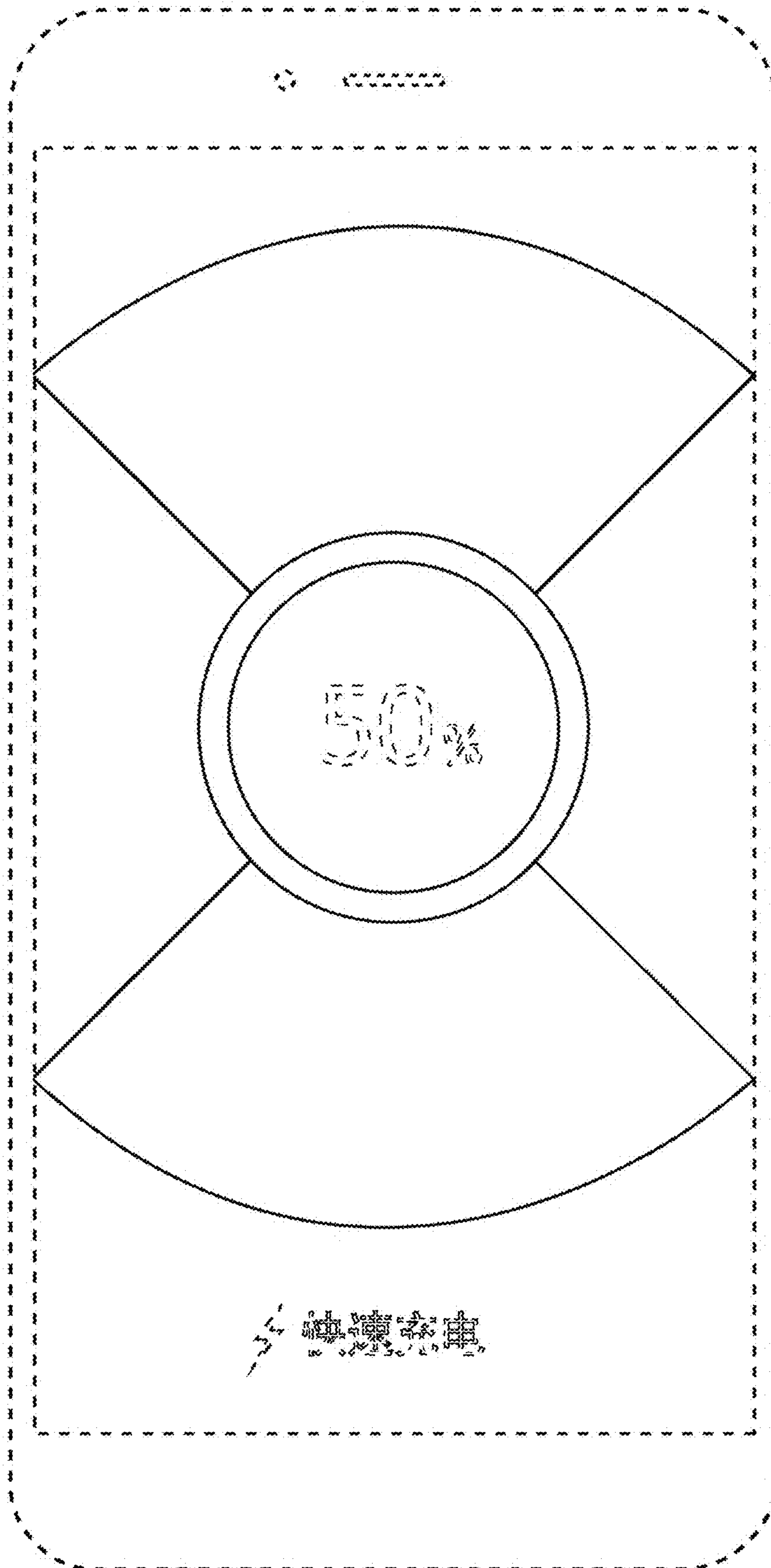
Ortyl, Karol, Aria Drones, posted at dribbble, posting date Aug. 22, 2016. Site visited Feb. 13, 2021. URL: <<https://dribbble.com/shots/2914069-Aria-Drones-Branding>> (Year: 2016).\*

Gyamfi, Amos, Rotating Triangular Replicator Instances, posted at dribbble, posting date Nov. 21, 2018. Site visited Feb. 13, 2021. URL: <<https://dribbble.com/shots/5584327-Rotating-Triangular-Replicator-Instances>> (Year: 2018).\*

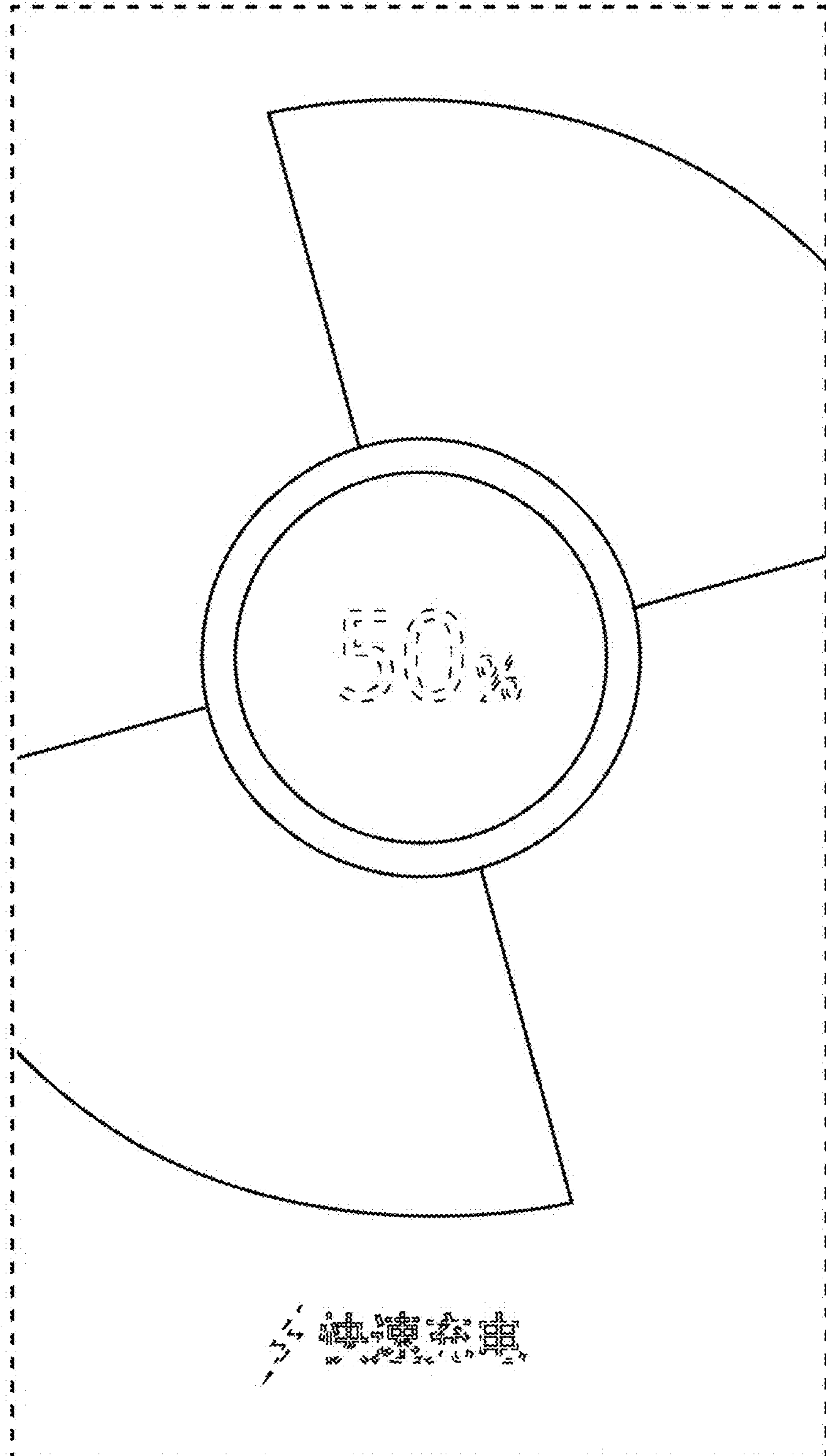
Ilic, Iliji, Robo Ring Logo Reveal, posted at dribbble, posting date Jul. 19, 2018. Site visited Feb. 13, 2021. URL: <<https://dribbble.com/shots/4846043-Robo-Ring-Logo-Reveal>> (Year: 2018).\*

\* cited by examiner

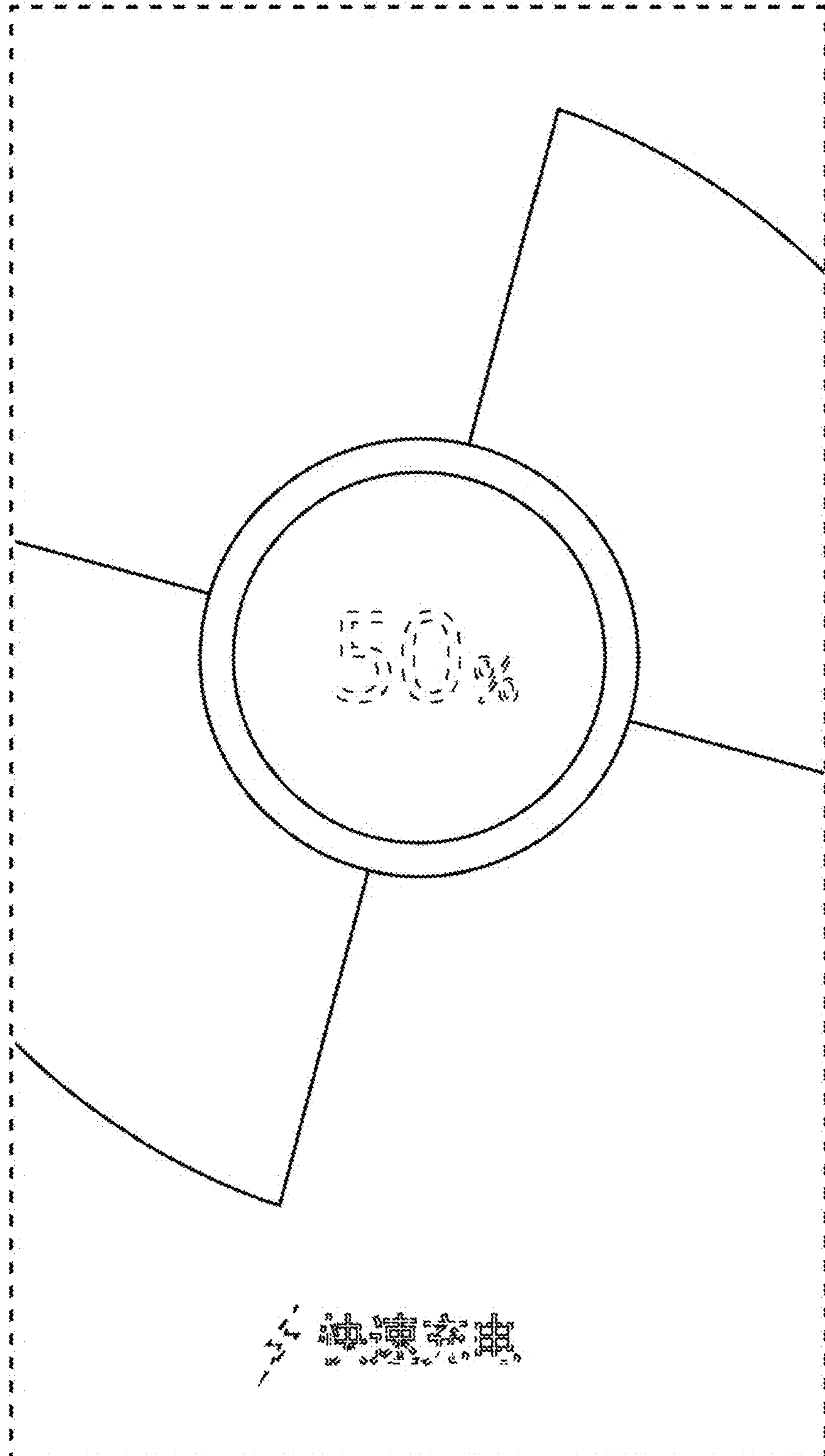
1.1



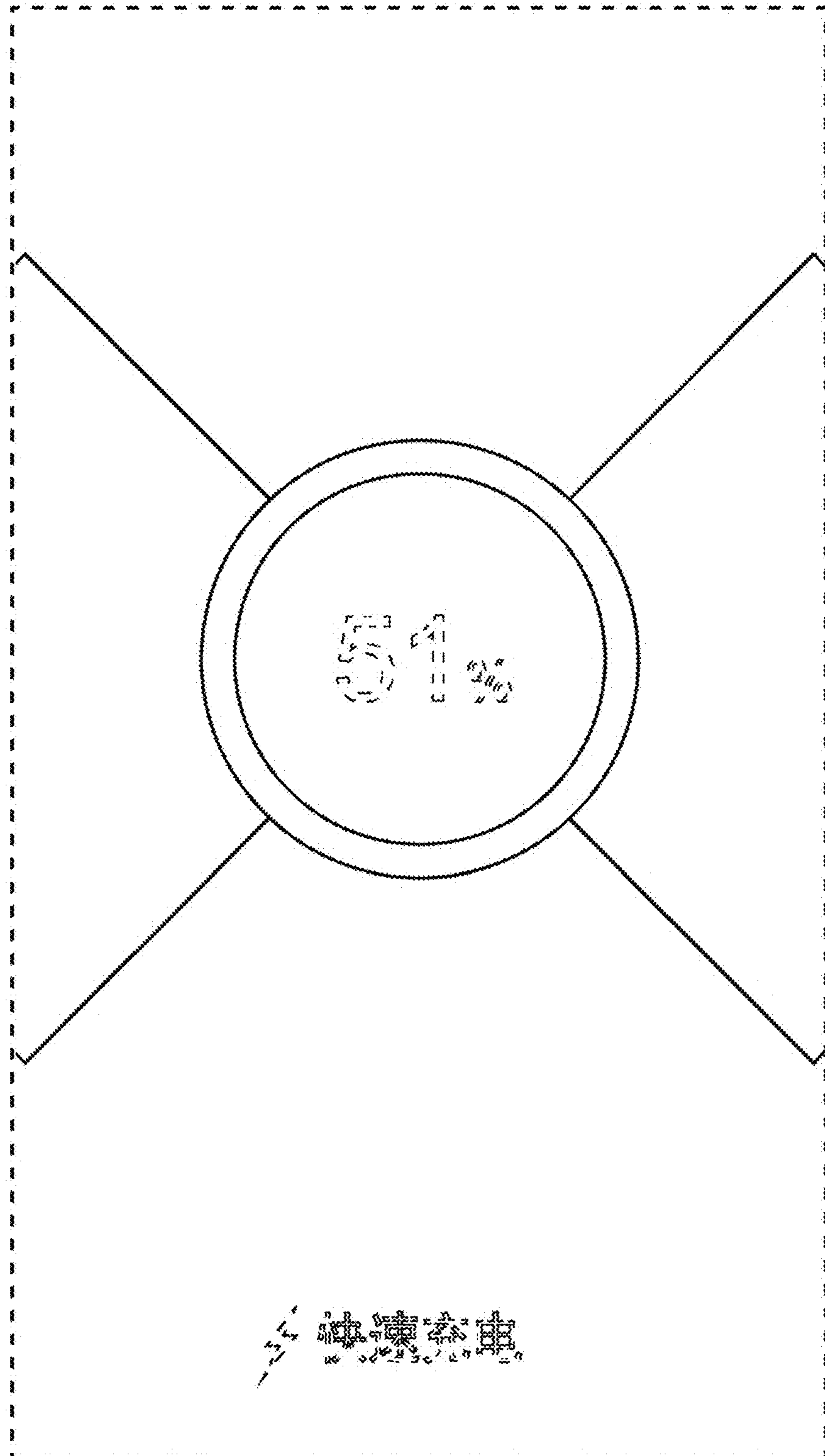
1.2



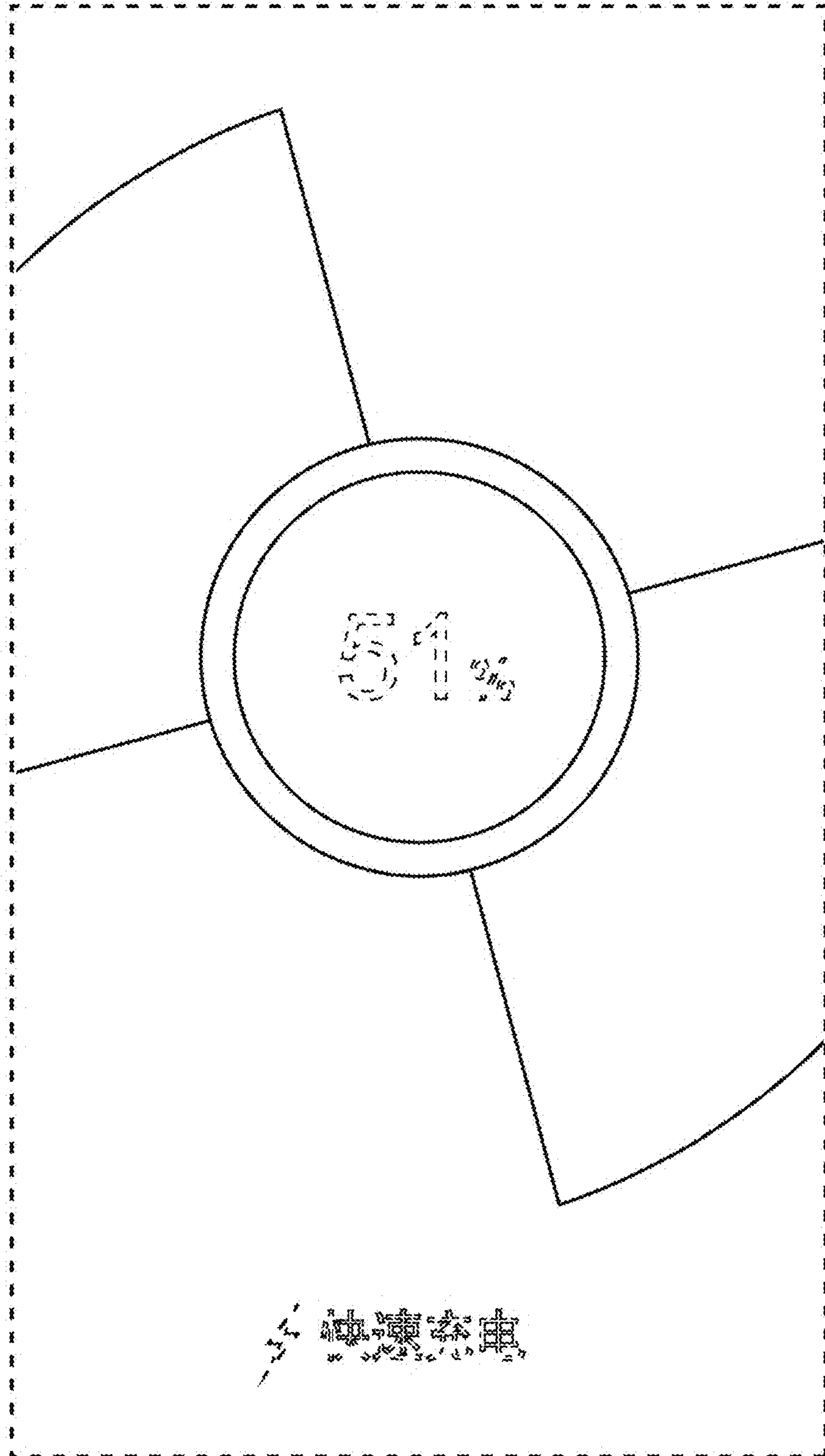
1.3



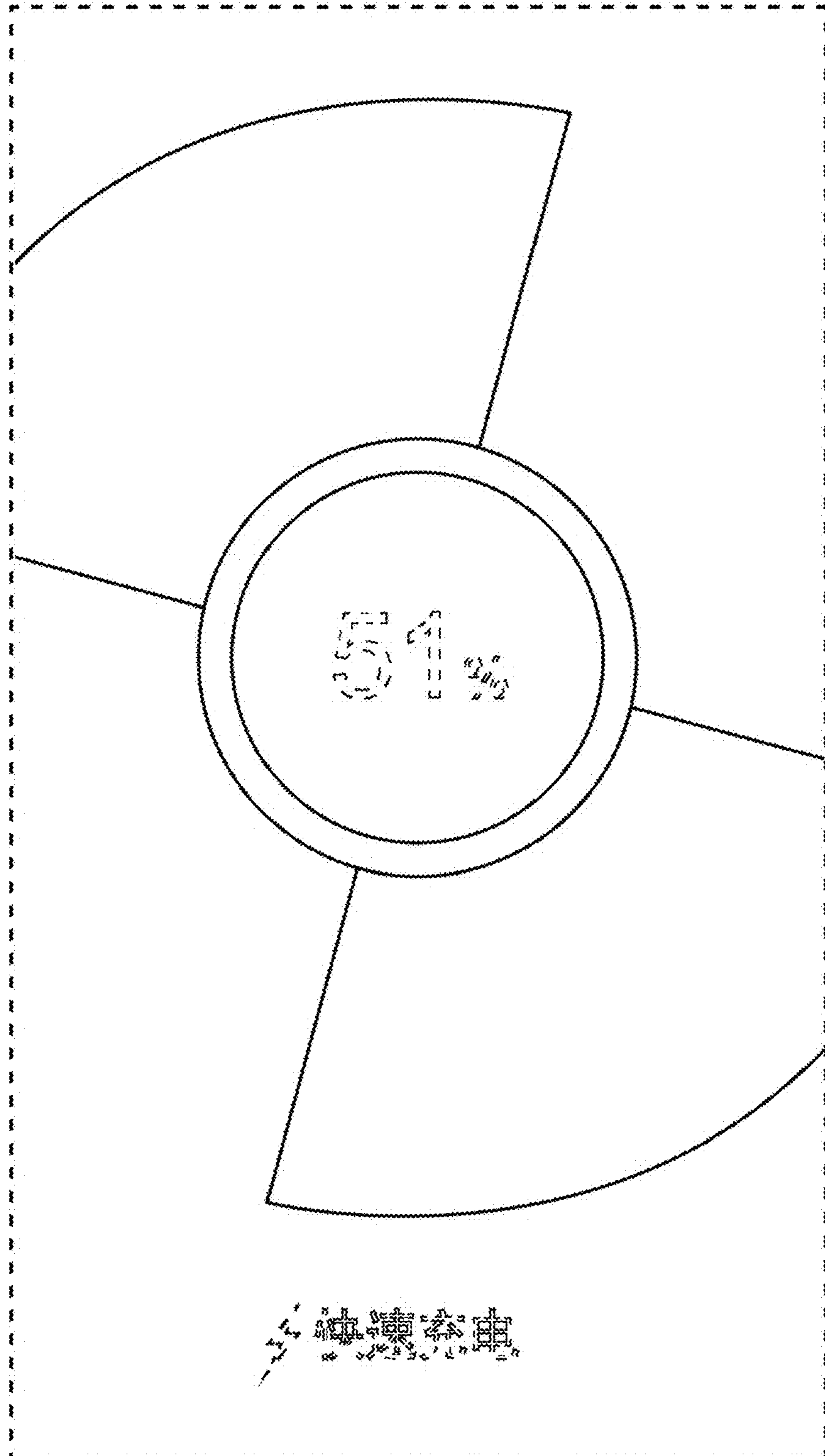
1.4



1.5



1.6





1.7

