



US00D923634S

(12) **United States Design Patent**
Han

(10) **Patent No.:** **US D923,634 S**

(45) **Date of Patent:** **** Jun. 29, 2021**

(54) **KEYCAP**

(71) Applicant: **Tai-Sheng Han**, New Taipei (TW)

(72) Inventor: **Tai-Sheng Han**, New Taipei (TW)

(73) Assignee: **EVGA CORPORATION**, New Taipei (TW)

(**) Term: **15 Years**

(21) Appl. No.: **29/691,103**

(22) Filed: **May 14, 2019**

(51) **LOC (13) Cl.** **14-02**

(52) **U.S. Cl.**
USPC **D14/456**

(58) **Field of Classification Search**
USPC D14/391-399, 455, 456, 385
CPC H01H 2219/036; H01H 2219/054; H01H
2223/03; B41J 5/12

See application file for complete search history.

(56) **References Cited**

U.S. PATENT DOCUMENTS

3,317,019	A *	5/1967	Braune	B41J 5/102 400/490
D212,865	S *	12/1968	Bowman et al.	D18/12
3,916,150	A *	10/1975	Abernethy	H01H 3/122 200/344
D311,913	S *	11/1990	Schaum	D14/456
D359,956	S *	7/1995	Franz	D14/456

D514,584	S *	2/2006	Summit	D14/456
D585,450	S *	1/2009	DeMaio	D14/456
8,884,174	B2 *	11/2014	Chou	H01H 13/83 200/314
10,115,538	B2 *	10/2018	Wang	F21V 3/062
2003/0190182	A1 *	10/2003	Huang	H01H 13/807 400/490
2004/0125000	A1 *	7/2004	Lee	B41J 5/12 341/22
2020/0321171	A1 *	10/2020	Xiao	H01H 13/83

* cited by examiner

Primary Examiner — Keli L Hill

Assistant Examiner — Harold E Blackwell, II

(74) *Attorney, Agent, or Firm* — Che-Yang Chen; Law Office of Michael Chen

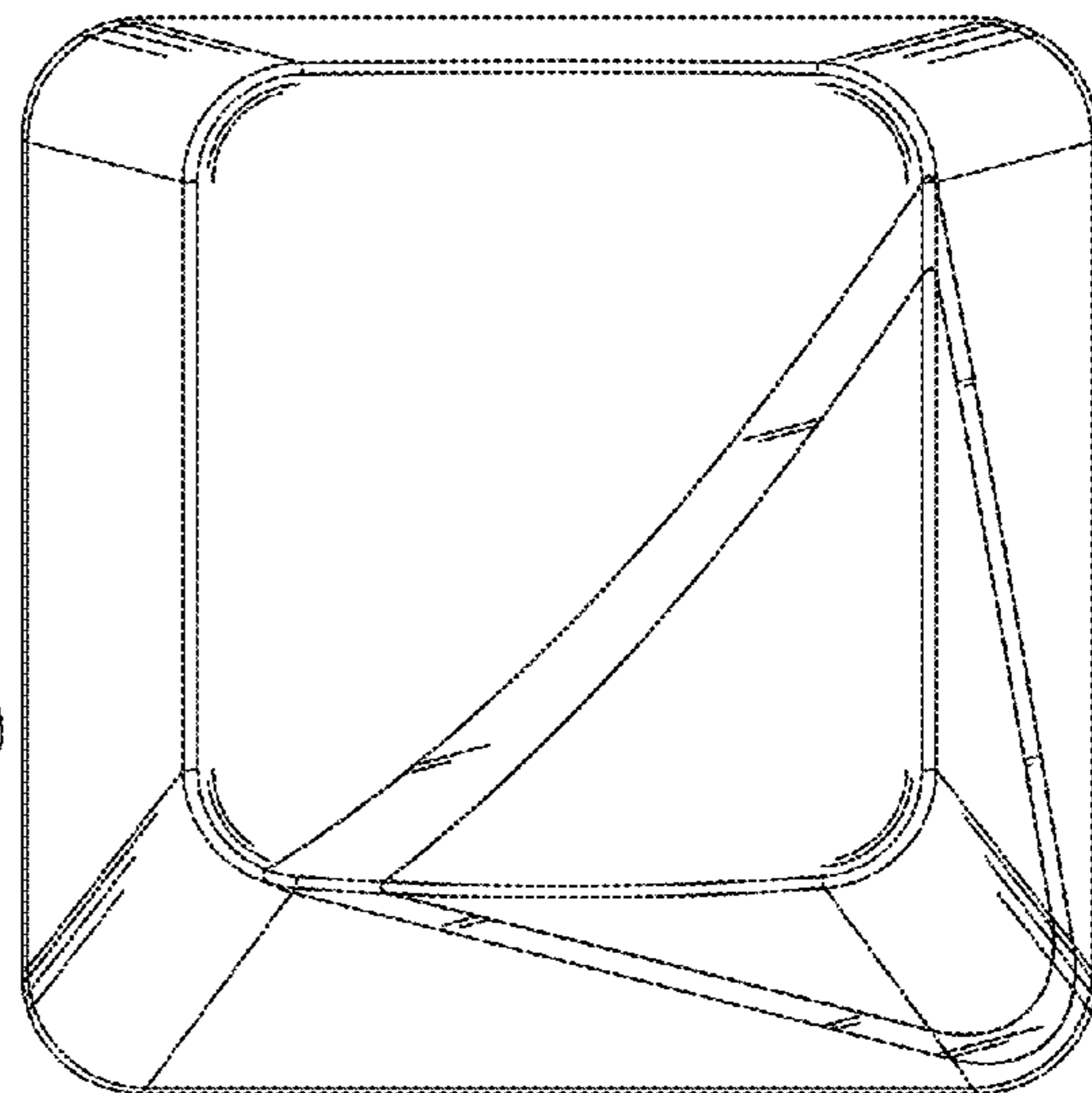
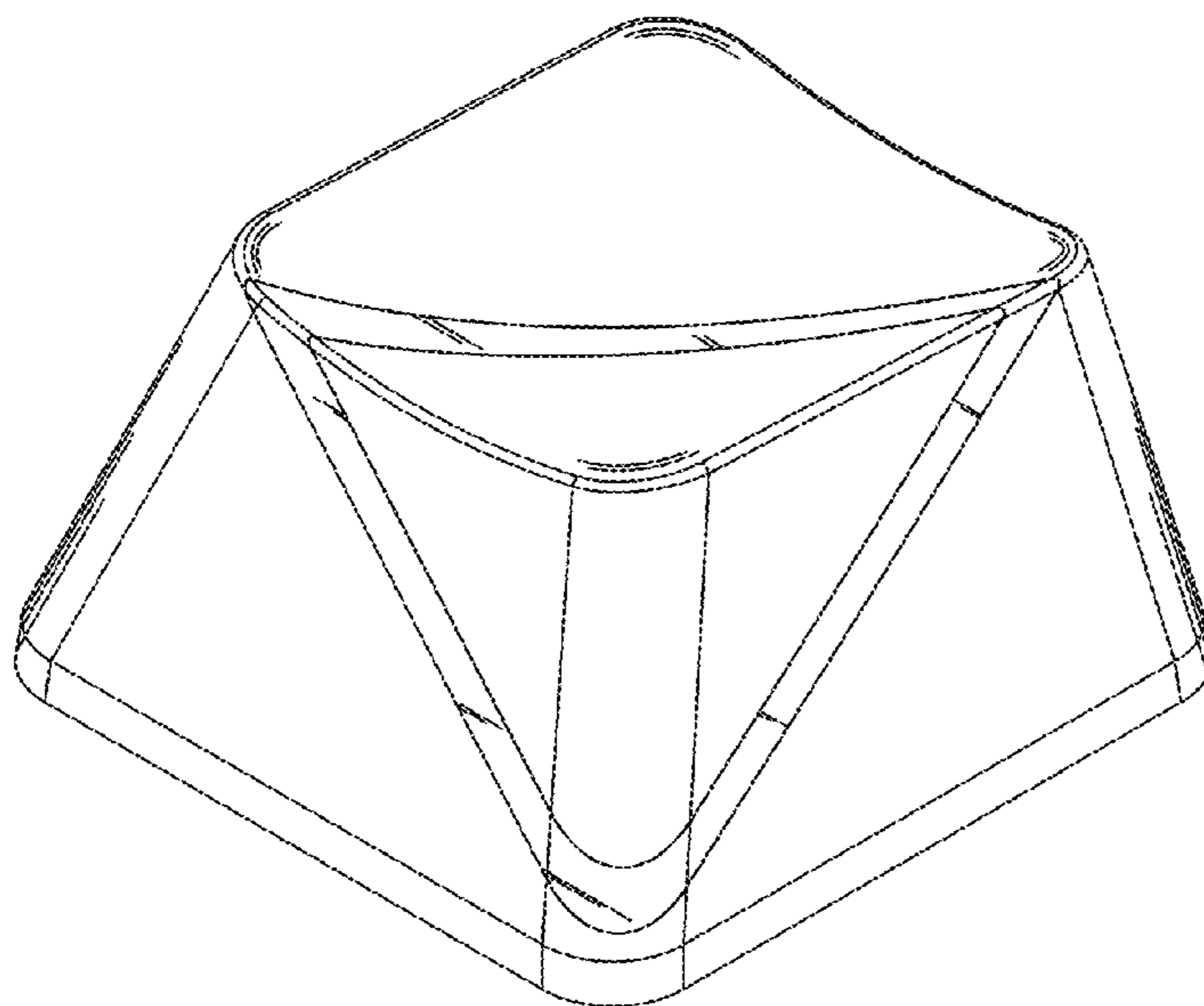
(57) **CLAIM**

The ornamental design for a keycap, as shown and described.

DESCRIPTION

FIG. 1 is a perspective view of a keycap showing my new design;
FIG. 2 is a front elevational view thereof;
FIG. 3 is a rear elevational view thereof;
FIG. 4 is a left side elevational view thereof;
FIG. 5 is a right side elevational view thereof; and,
FIG. 6 is a top plan view thereof.
The inverted triangle strip section of the keycap seen in FIGS. 1-3, 5 and 6 is transparent.

1 Claim, 6 Drawing Sheets



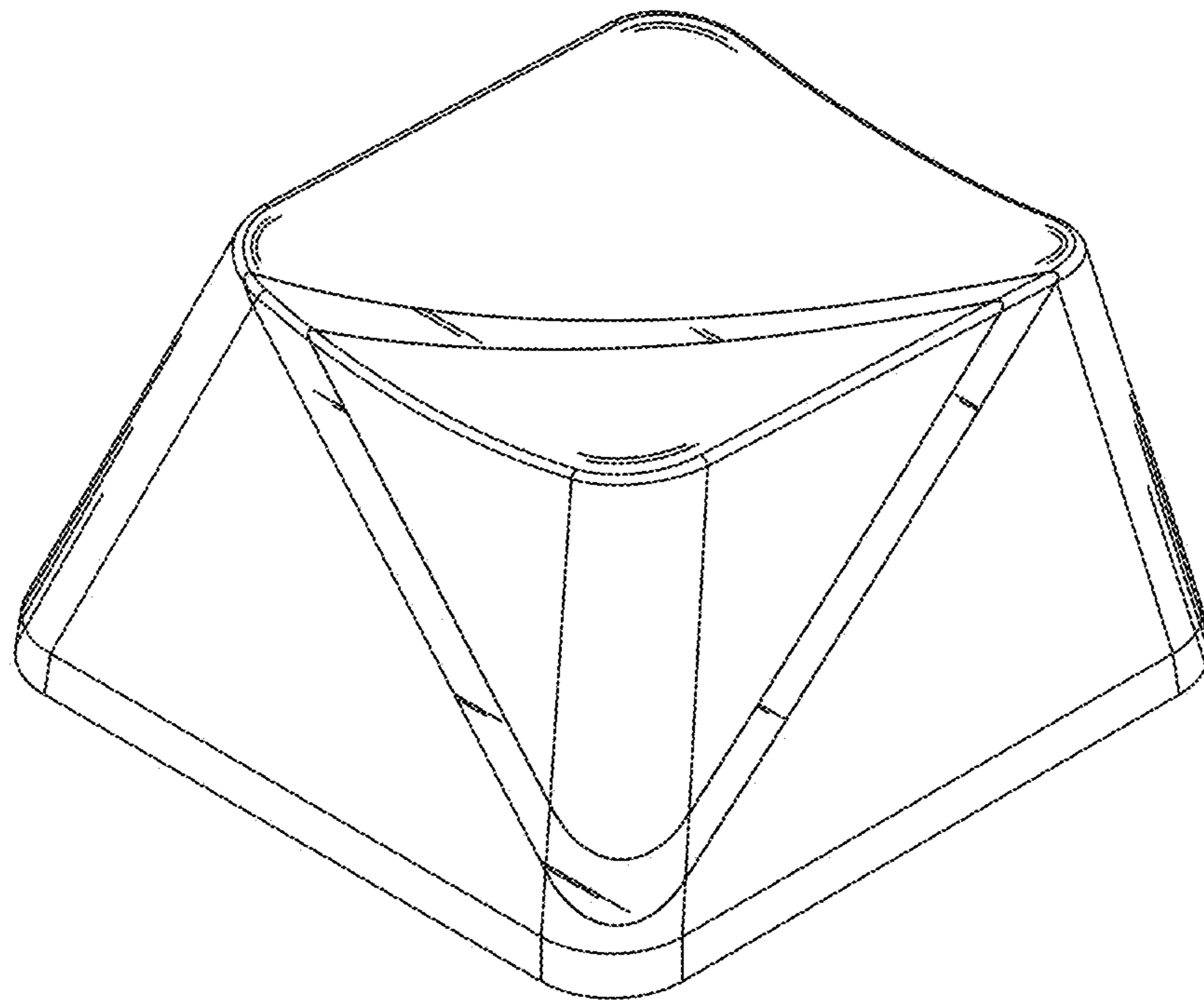


FIG. 1

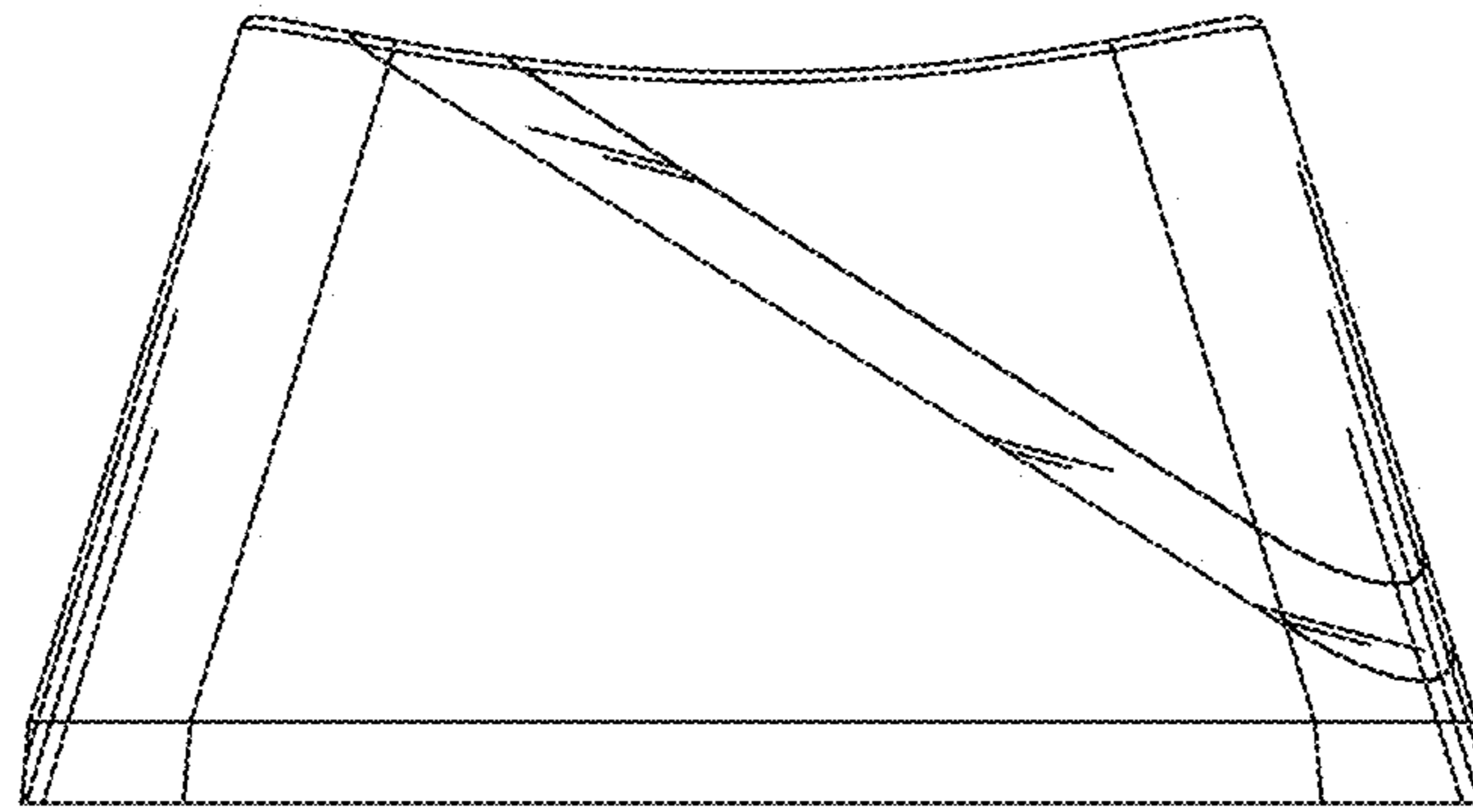


FIG. 2

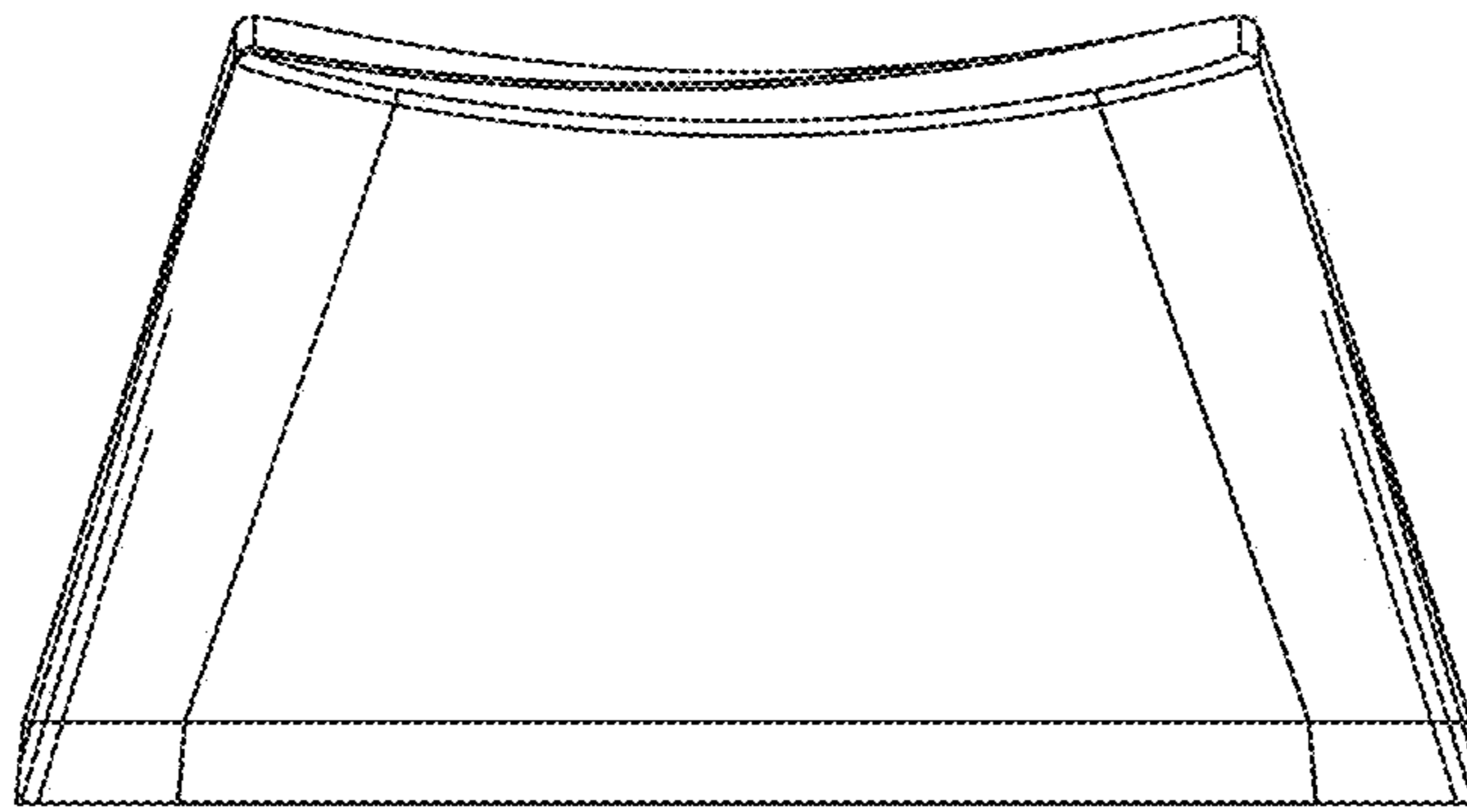


FIG. 3

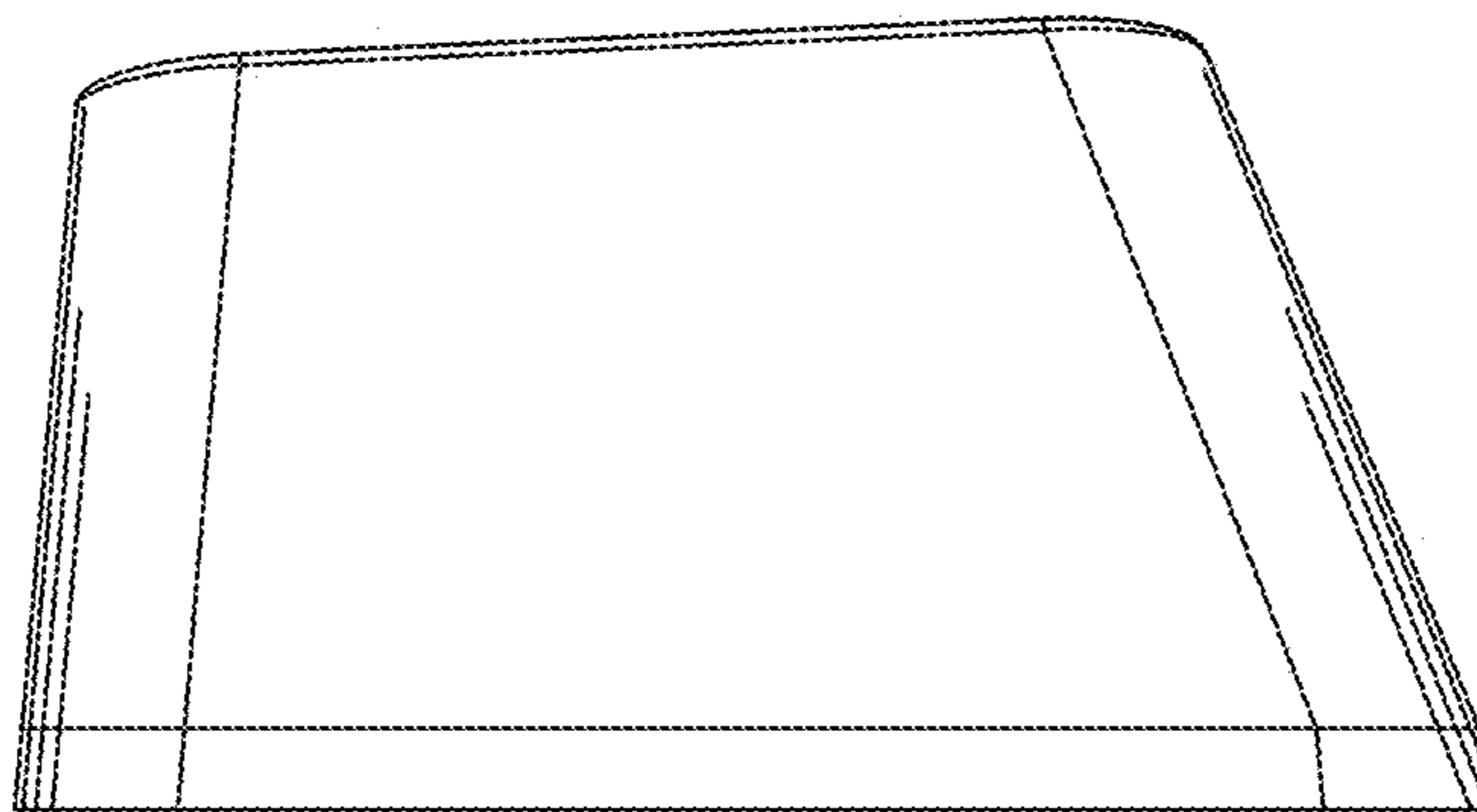


FIG. 4

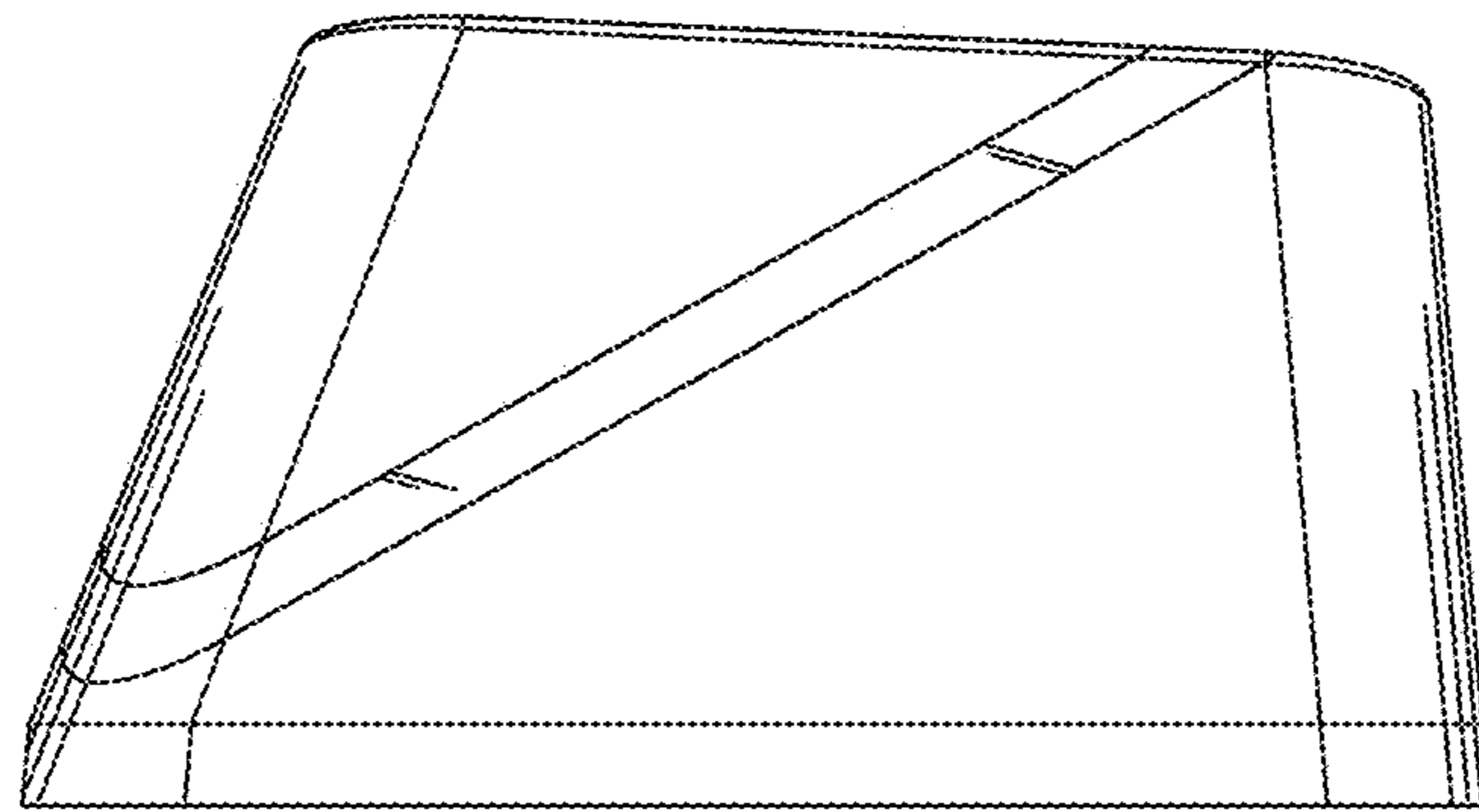


FIG. 5

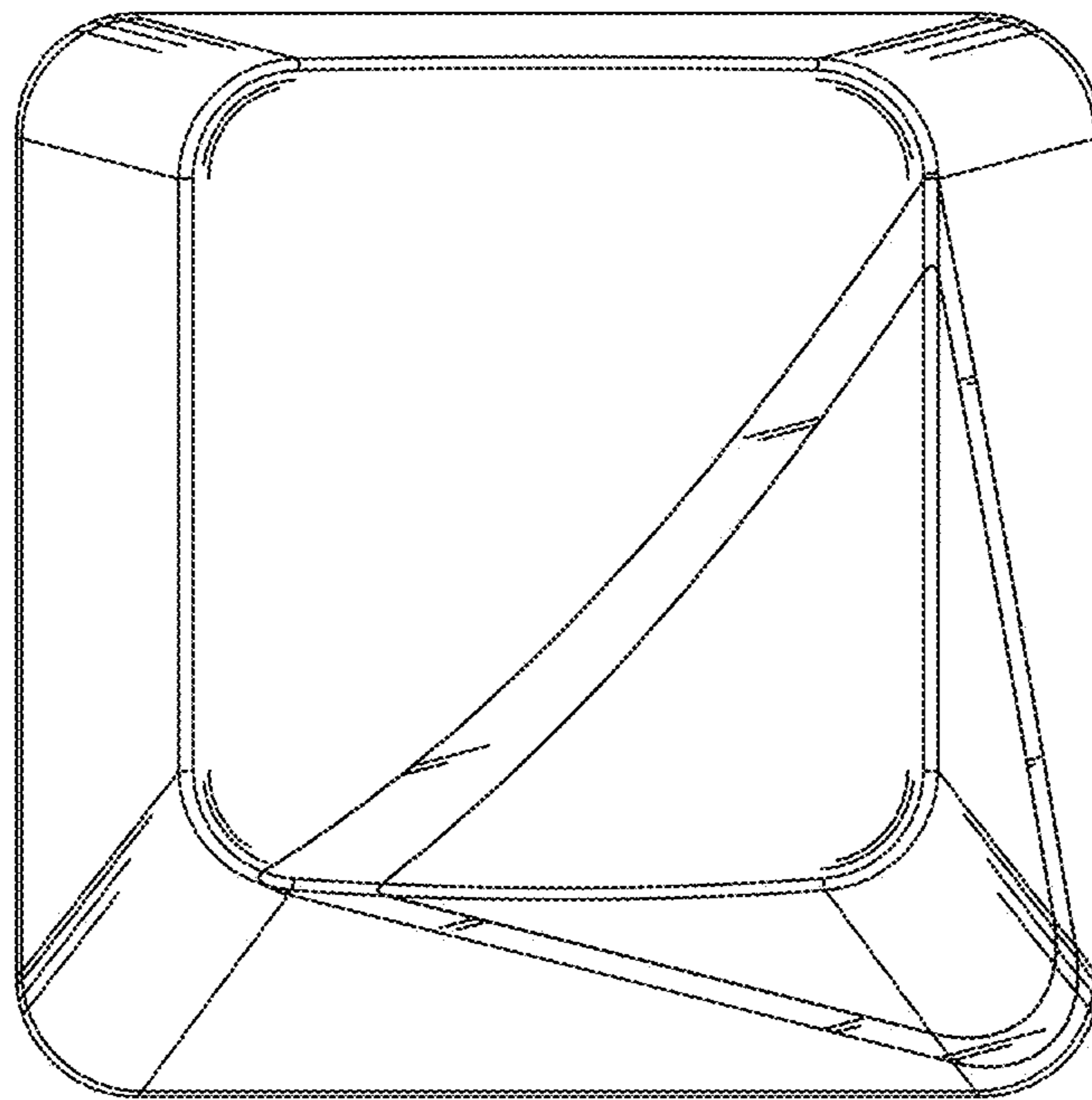


FIG. 6