



US00D923633S

(12) **United States Design Patent** (10) **Patent No.:** **US D923,633 S**
Akana et al. (45) **Date of Patent:** **** Jun. 29, 2021**

(54) **KEYBOARD**

(71) Applicant: **Apple Inc.**, Cupertino, CA (US)

(72) Inventors: **Jody Akana**, San Francisco, CA (US); **Molly Anderson**, San Francisco, CA (US); **Bartley K. Andre**, Palo Alto, CA (US); **Shota Aoyagi**, San Francisco, CA (US); **Anthony Michael Ashcroft**, San Francisco, CA (US); **Jeremy Bataillou**, San Francisco, CA (US); **Daniel J. Coster**, San Francisco, CA (US); **Daniele De Iuliis**, San Francisco, CA (US); **M. Evans Hankey**, San Francisco, CA (US); **Julian Hoenig**, San Francisco, CA (US); **Richard P. Howarth**, San Francisco, CA (US); **Jonathan P. Ive**, San Francisco, CA (US); **Duncan Robert Kerr**, San Francisco, CA (US); **Peter Russell-Clarke**, San Francisco, CA (US); **Benjamin Andrew Shaffer**, San Jose, CA (US); **Mikael Silvanto**, San Francisco, CA (US); **Christopher J. Stringer**, Woodside, CA (US); **Clement Tissandier**, San Francisco, CA (US); **Eugene Antony Whang**, San Francisco, CA (US); **Rico Zörkendörfer**, San Francisco, CA (US)

(73) Assignee: **Apple Inc.**, Cupertino, CA (US)

(**) Term: **15 Years**

(21) Appl. No.: **29/752,584**

(22) Filed: **Sep. 28, 2020**

Related U.S. Application Data

(63) Continuation of application No. 29/730,552, filed on Apr. 6, 2020, now Pat. No. Des. 897,352, which is a continuation of application No. 29/671,284, filed on Nov. 26, 2018, now Pat. No. Des. 880,488, which is a continuation of application No. 29/606,501, filed on

Jun. 5, 2017, now Pat. No. Des. 834,586, which is a continuation of application No. 29/558,786, filed on Mar. 21, 2016, now Pat. No. Des. 788,784.

(51) **LOC (13) Cl.** **14-02**

(52) **U.S. Cl.**
USPC **D14/455**

(58) **Field of Classification Search**

USPC D14/250, 315-327, 345, 391-399, 440, D14/455, 456

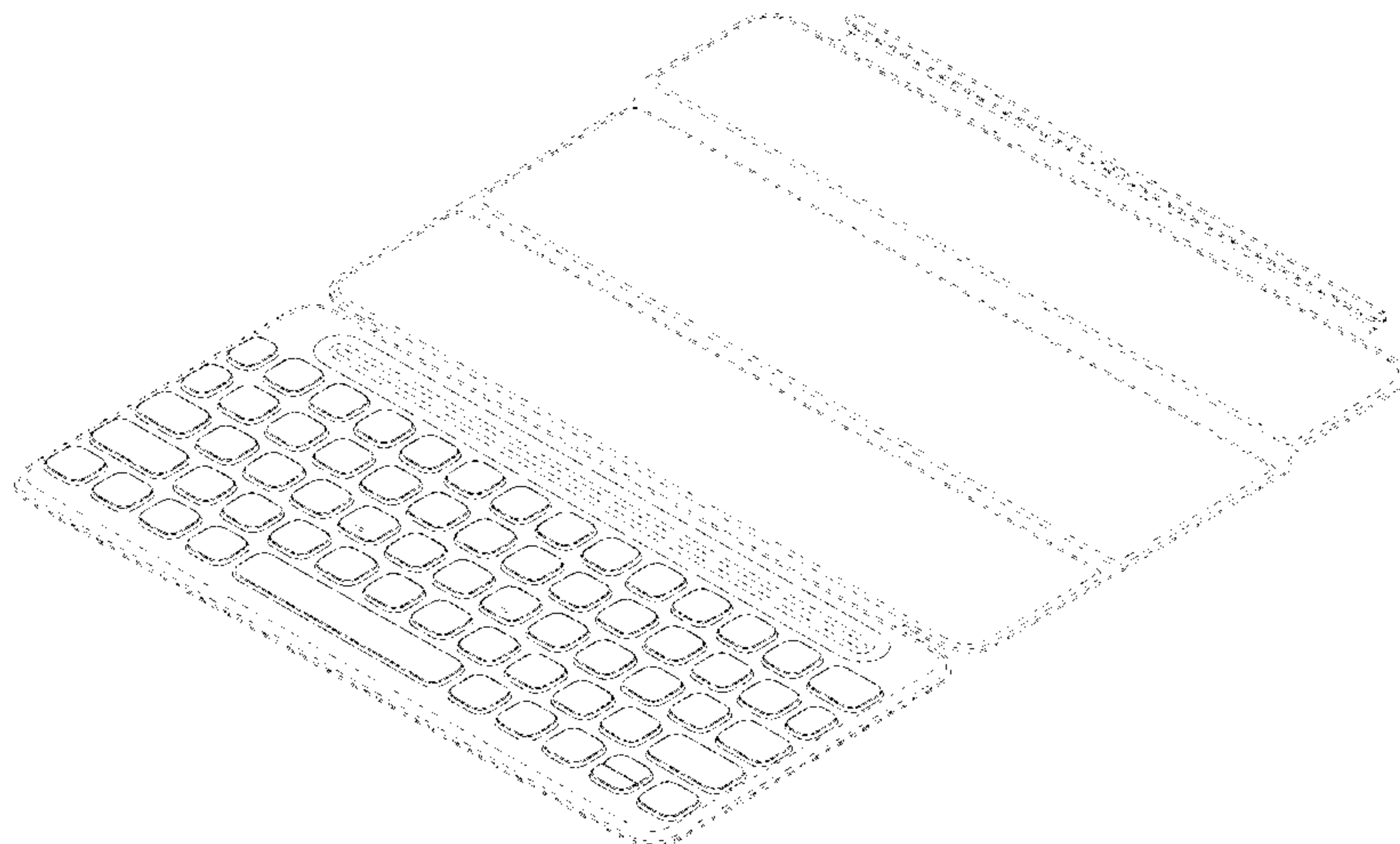
CPC G06F 1/16; G06F 1/1616; G06F 1/1626; G06F 1/1632; G06F 1/1613; G06F 1/1601; G06F 1/1618; G06F 1/162; G06F 3/0221; G06F 3/0216; H01R 35/02; H03M 11/00; G09B 13/04; H03K 17/94; G09G 5/00; F16M 11/10; H04K 5/00; H04M 1/0237; H01H 13/14; H01H 13/84; B41J 5/00; B41J 5/12; B41J 5/10

See application file for complete search history.

(56) **References Cited**

U.S. PATENT DOCUMENTS

3,461,009 A	8/1969	Snyder et al.
D317,935 S	7/1991	Sawano
D364,191 S	11/1995	Allen
D409,175 S	5/1999	Renk
5,908,265 A	6/1999	Mostkoff
D467,429 S	12/2002	Bone et al.
D470,150 S	2/2003	Lewis, Jr. et al.
D481,735 S	11/2003	Marucci et al.
6,900,794 B1	5/2005	San
D516,079 S	2/2006	Solomon et al.
D525,980 S	8/2006	Wang et al.
D581,726 S	12/2008	Shamoon
D582,423 S	12/2008	Ikeda et al.
D585,071 S	1/2009	Ikeda et al.
D592,211 S	5/2009	Ichise et al.
D598,451 S	8/2009	Andre et al.
D604,300 S	11/2009	Andre et al.
D604,736 S	11/2009	Andre et al.
D607,826 S	1/2010	Shaw
D607,827 S	1/2010	Shaw
D612,843 S	3/2010	Andre et al.
D616,886 S	6/2010	Andre et al.
D637,814 S	5/2011	Akana et al.
D640,695 S	6/2011	Andre et al.
D645,471 S	9/2011	Gardner et al.
D645,860 S	9/2011	Andre et al.



D653,665 S 2/2012 Maruyama
 8,124,216 B2 2/2012 Antonini
 D656,929 S 4/2012 Hsiung
 D658,186 S 4/2012 Akana et al.
 D669,477 S 10/2012 Akana et al.
 D671,114 S 11/2012 Akana et al.
 D672,353 S 12/2012 Liu
 D672,360 S 12/2012 Lee et al.
 D672,781 S 12/2012 Lu
 D674,800 S 1/2013 Kim
 D676,048 S 2/2013 McManigal et al.
 D676,848 S 2/2013 Smith et al.
 D677,668 S 3/2013 Phillips et al.
 D678,260 S 3/2013 Bau
 D678,278 S 3/2013 Brown
 D678,300 S 3/2013 Groene et al.
 D679,279 S 4/2013 Yang et al.
 D679,703 S 4/2013 Tanaka
 D682,832 S 5/2013 Smith et al.
 D682,839 S 5/2013 SampSon et al.
 D685,802 S 7/2013 Canizares et al.
 D688,251 S 8/2013 Akana et al.
 D689,059 S 9/2013 Tak et al.
 D691,135 S 10/2013 Choi
 D691,151 S 10/2013 Hsu
 D692,886 S 11/2013 Bates et al.
 D692,902 S 11/2013 Groene et al.
 D695,291 S 12/2013 Andre et al.
 D695,464 S 12/2013 Hardy
 D695,743 S 12/2013 Akana et al.
 D696,253 S 12/2013 Akana et al.
 D696,254 S 12/2013 Groene et al.
 D696,262 S 12/2013 Groene et al.
 D696,667 S 12/2013 Helwig et al.
 D701,214 S 3/2014 Gengler
 D703,209 S 4/2014 Marcus
 D704,702 S 5/2014 Akana et al.
 D704,717 S 5/2014 Tanaka
 D705,227 S 5/2014 Groene et al.
 D706,270 S 6/2014 Akana et al.
 D714,791 S 10/2014 Liu
 D720,355 S 12/2014 Akana et al.
 D720,747 S 1/2015 Kim et al.
 D720,748 S 1/2015 Groene et al.
 D727,324 S 4/2015 King
 D731,485 S 6/2015 Kim et al.
 D731,486 S 6/2015 Kim et al.
 D735,196 S 7/2015 Son
 D735,205 S 7/2015 Akana et al.
 D735,212 S 7/2015 Son
 D740,113 S 10/2015 Olenick
 D740,298 S 10/2015 Son et al.
 D740,831 S 10/2015 Colby
 D742,740 S 11/2015 Kim et al.
 D746,819 S 1/2016 Feiz et al.
 D749,587 S 2/2016 Lee et al.
 D750,079 S 2/2016 Chen et al.
 D750,081 S 2/2016 Jeong et al.
 D750,094 S 2/2016 Gengler
 D750,095 S 2/2016 Jeong et al.
 D750,629 S 3/2016 Kim et al.
 D751,553 S 3/2016 Kim et al.
 D751,567 S 3/2016 Seoc et al.
 D753,648 S 4/2016 Shyu et al.
 D754,652 S 4/2016 Roberts et al.
 D754,659 S 4/2016 Kim et al.
 D757,023 S 5/2016 Bowers et al.
 D758,377 S 6/2016 Warren et al.
 D761,267 S 7/2016 Chen et al.
 D765,630 S 9/2016 Harata et al.
 D772,885 S 11/2016 Akana et al.
 D772,886 S 11/2016 Akana et al.
 D773,474 S 12/2016 Akana et al.
 D775,133 S 12/2016 Akana et al.
 D775,630 S 1/2017 Starrett
 D776,115 S * 1/2017 Akana D14/392
 D776,116 S 1/2017 Akana et al.
 D778,918 S 2/2017 Sauvage
 D779,485 S 2/2017 Akana et al.

D779,489 S 2/2017 Akana et al.
 D779,490 S 2/2017 Akana et al.
 D780,758 S 3/2017 Bailey et al.
 D780,800 S 3/2017 Bi
 D786,249 S 5/2017 Feiz et al.
 D788,784 S 6/2017 Akana et al.
 D789,934 S 6/2017 Akana et al.
 D789,941 S 6/2017 Sauvage et al.
 D789,942 S 6/2017 Bailey et al.
 D791,780 S 7/2017 Bailey et al.
 D797,111 S 9/2017 Sauvage et al.
 D799,485 S 10/2017 Kim et al.
 D799,496 S 10/2017 Bailey et al.
 D801,973 S 11/2017 Feng
 D820,838 S 6/2018 Akana et al.
 D820,839 S 6/2018 Akana et al.
 D820,840 S 6/2018 Akana et al.
 D820,841 S 6/2018 Akana et al.
 D834,586 S 11/2018 Akana et al.
 D880,488 S 4/2020 Akana et al.
 D883,986 S * 5/2020 Akana D14/440
 D892,128 S * 8/2020 Chen D14/440
 D897,352 S * 9/2020 Akana D14/455
 D905,697 S * 12/2020 Chen D14/440
 D906,340 S * 12/2020 Akana D14/440
 D912,060 S * 3/2021 Zhu D14/440
 2007/0121311 A1 5/2007 Chou
 2008/0266782 A1 10/2008 Zhang
 2009/0159763 A1 6/2009 Kim
 2009/0283393 A1 11/2009 Chen et al.
 2011/0042195 A1 2/2011 Tsai
 2011/0227463 A1 9/2011 Hou et al.
 2012/0140396 A1 6/2012 Zelif et al.
 2012/0194448 A1 8/2012 Rothkopf
 2012/0211377 A1 8/2012 Sajid
 2012/0261289 A1 10/2012 Wynder et al.
 2013/0233762 A1 9/2013 Balaji et al.
 2014/0158645 A1 6/2014 Thomas
 2014/0186085 A1 7/2014 Zhang
 2014/0267050 A1 9/2014 Spollen et al.
 2016/0018854 A1 1/2016 Yu et al.
 2016/0119011 A1 4/2016 Thompson et al.

FOREIGN PATENT DOCUMENTS

JP D1475195 S 7/2013
 JP D1517990 S 2/2015
 JP D1537210 S 11/2015
 JP D1547736 S 4/2016
 KR 30-0779797 S 1/2015

OTHER PUBLICATIONS

Belkin International, Inc., “Belkin Expands Keyboard Lineup to New Apple iPad Mini,” dated Nov. 14, 2012.
 Wayback Machine Internet Archive, Tangram Design Lab Inc., “Smart Top: IP Ad and Wireless Keyboard at a Time” <<https://web.archive.org/web/20121013124127/http://tangramdesignlab.com/smarttop/en!>> dated Oct. 13, 2012.

* cited by examiner

Primary Examiner — Keli L Hill
Assistant Examiner — Harold E Blackwell, II
 (74) *Attorney, Agent, or Firm* — Sterne, Kessler, Goldstein & Fox P.L.L.C.

(57) CLAIM

The ornamental design for a keyboard, as shown and described.

DESCRIPTION

FIG. 1 is a top front perspective view of a keyboard showing the claimed design;

FIG. 2 is a bottom rear perspective view thereof;

FIG. 3 is a front view thereof;

FIG. 4 is a rear view thereof;

FIG. 5 is a left side view thereof;

FIG. 6 is a right side view thereof;

FIG. 7 is a top view thereof; and,

FIG. 8 is a bottom view thereof.

The broken lines in the figures show portions of the keyboard that form no part of the claimed design.

1 Claim, 6 Drawing Sheets

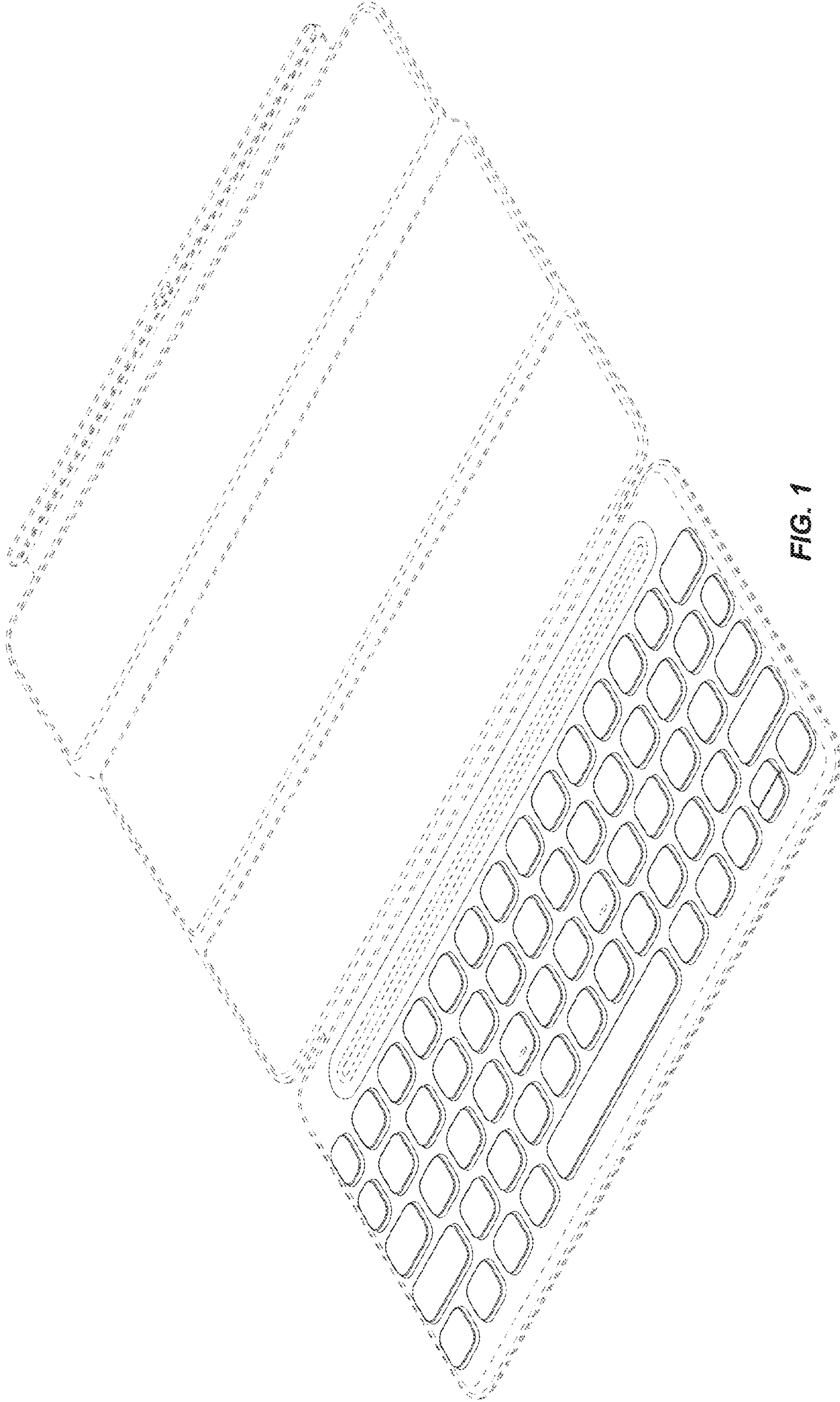


FIG. 1

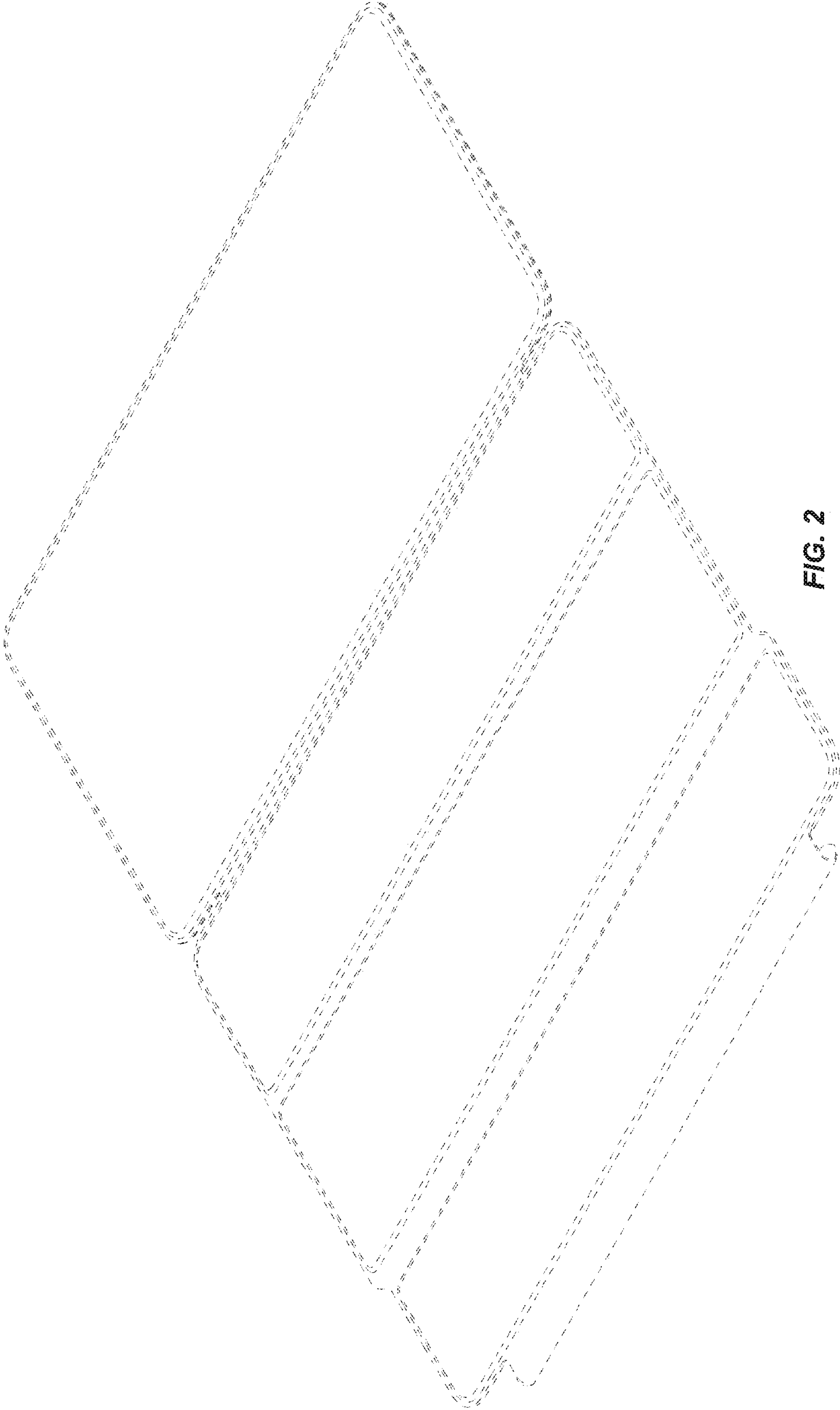


FIG. 2

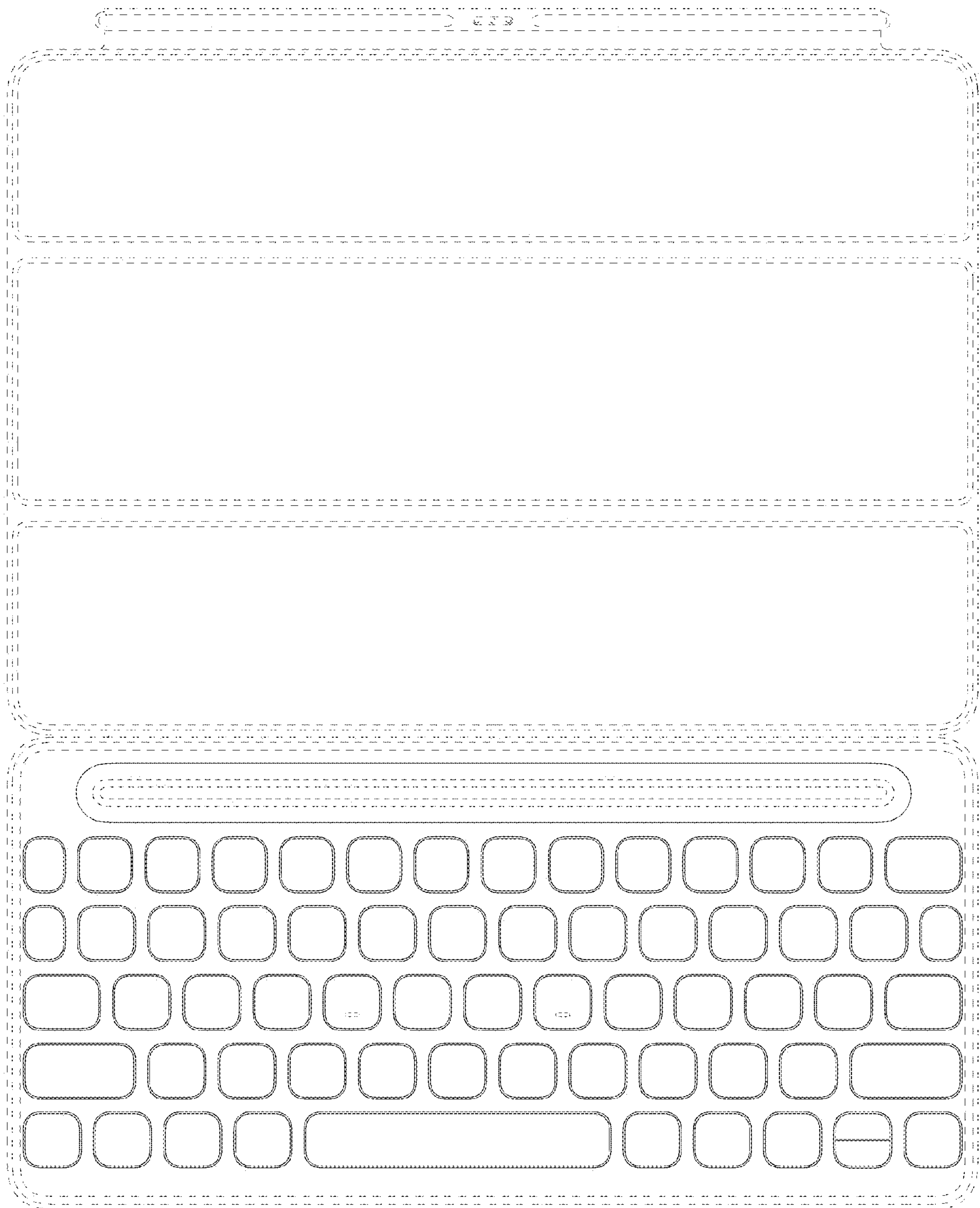


FIG. 3



FIG. 4

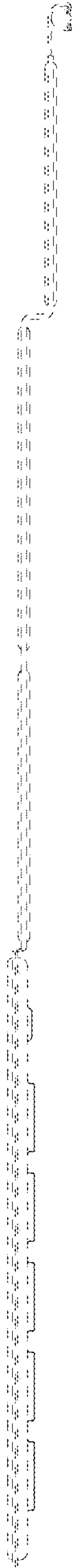


FIG. 5



FIG. 6

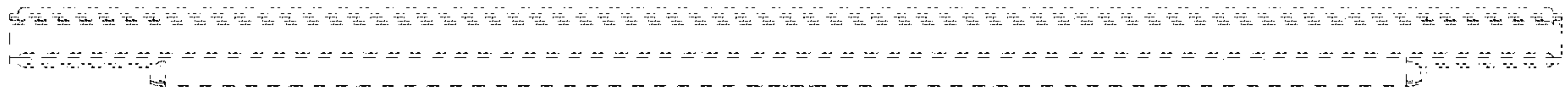


FIG. 7



FIG. 8