



US00D923632S

(12) **United States Design Patent**
Li

(10) **Patent No.:** **US D923,632 S**

(45) **Date of Patent:** **** Jun. 29, 2021**

(54) **NOTEBOOK STAND**

(71) Applicant: **Jiuzhen Li**, Fuyang (CN)

(72) Inventor: **Jiuzhen Li**, Fuyang (CN)

(**) Term: **15 Years**

(21) Appl. No.: **29/760,031**

(22) Filed: **Nov. 27, 2020**

(51) **LOC (13) Cl.** **08-07**

(52) **U.S. Cl.**
USPC **D14/447**

(58) **Field of Classification Search**
USPC D14/447, 432, 434, 439, 440, 451, 452,
D14/457, 239, 253; D8/363, 373, 380;
D6/406.3, 406.4, 406.5, 406.6; D12/415
CPC A47B 21/04; A47B 2097/006; A47B
2097/005; A47B 2023/049; A45C
2011/002; A45C 2011/003; F16M
2200/00; F16M 13/00

See application file for complete search history.

(56) **References Cited**

U.S. PATENT DOCUMENTS

D589,964 S * 4/2009 Heggland D14/434
D752,908 S * 4/2016 McGrath D6/699.5

9,326,598 B1 * 5/2016 West A47B 3/02
D829,216 S 9/2018 Belitz
D864,619 S * 10/2019 Hu D6/655
D882,987 S * 5/2020 Hu D6/656
D898,748 S * 10/2020 Ma D14/447
D903,689 S * 12/2020 Zheng D14/447
D907,640 S * 1/2021 Huang D14/447
D907,644 S * 1/2021 Li D14/447
2018/0008037 A1 * 1/2018 Laudadio A47B 9/16
2020/0375351 A1 * 12/2020 Xiang A47B 3/02

* cited by examiner

Primary Examiner — Angela J Lee

(74) *Attorney, Agent, or Firm* — Justin Lampel

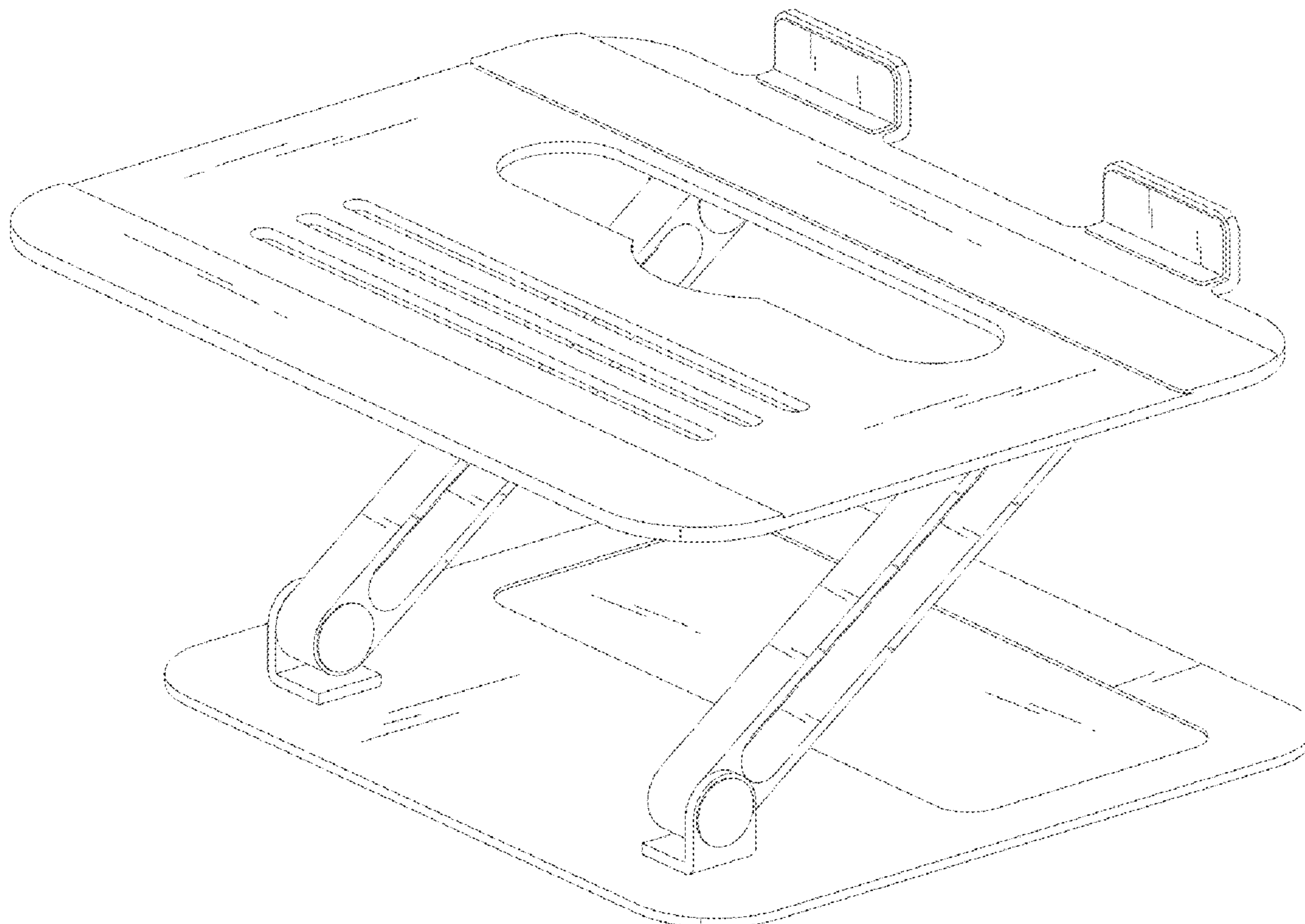
(57) **CLAIM**

The ornamental design for a notebook stand, as shown and described.

DESCRIPTION

FIG. 1 is a perspective view of a notebook stand showing the claimed design;
FIG. 2 is a top plan view thereof;
FIG. 3 is a left side view thereof;
FIG. 4 is a rear elevational view thereof;
FIG. 5 is a right side view thereof;
FIG. 6 is a front devotional view thereof; and,
FIG. 7 is a bottom plan view thereof.

1 Claim, 7 Drawing Sheets



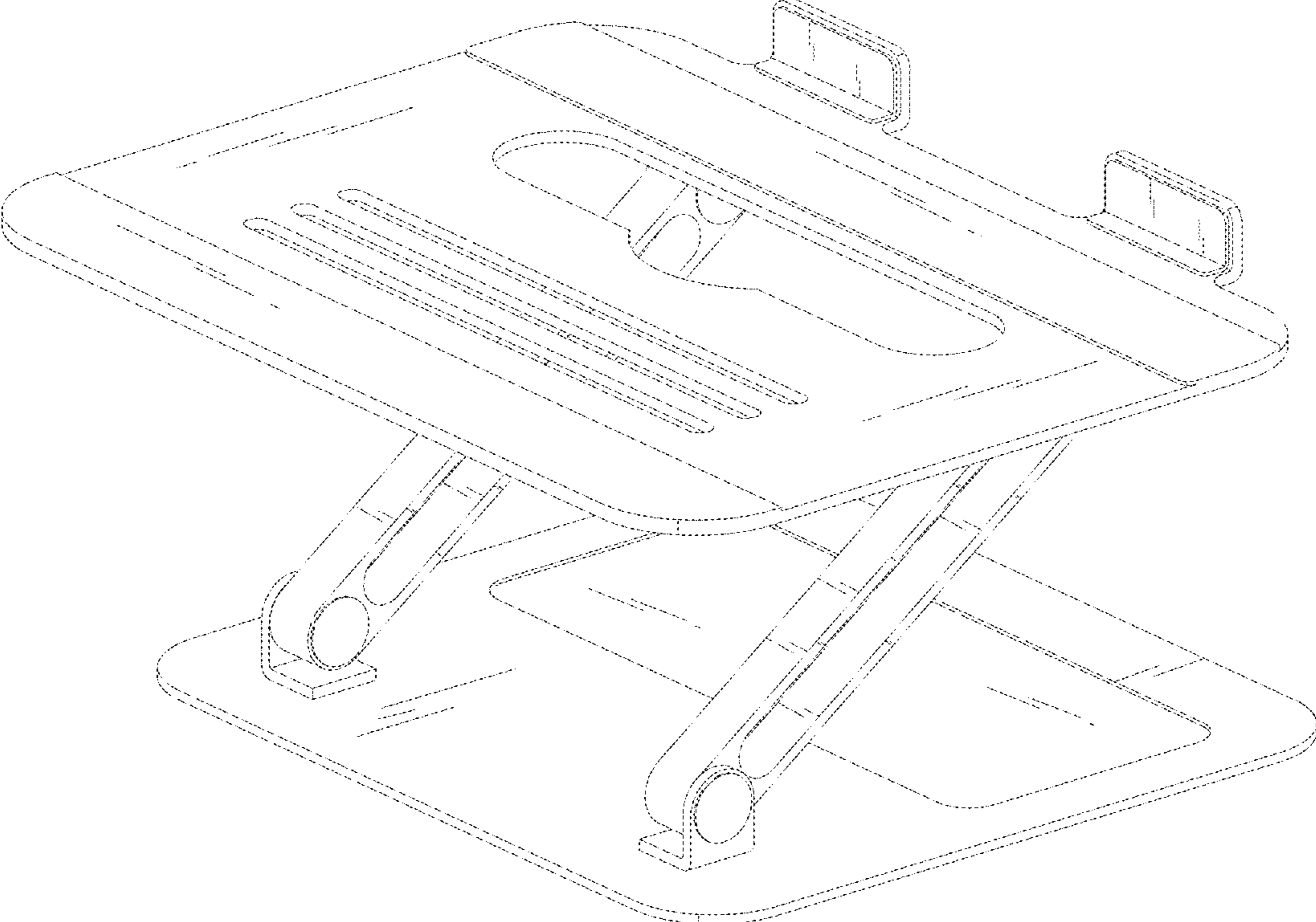


FIG.1

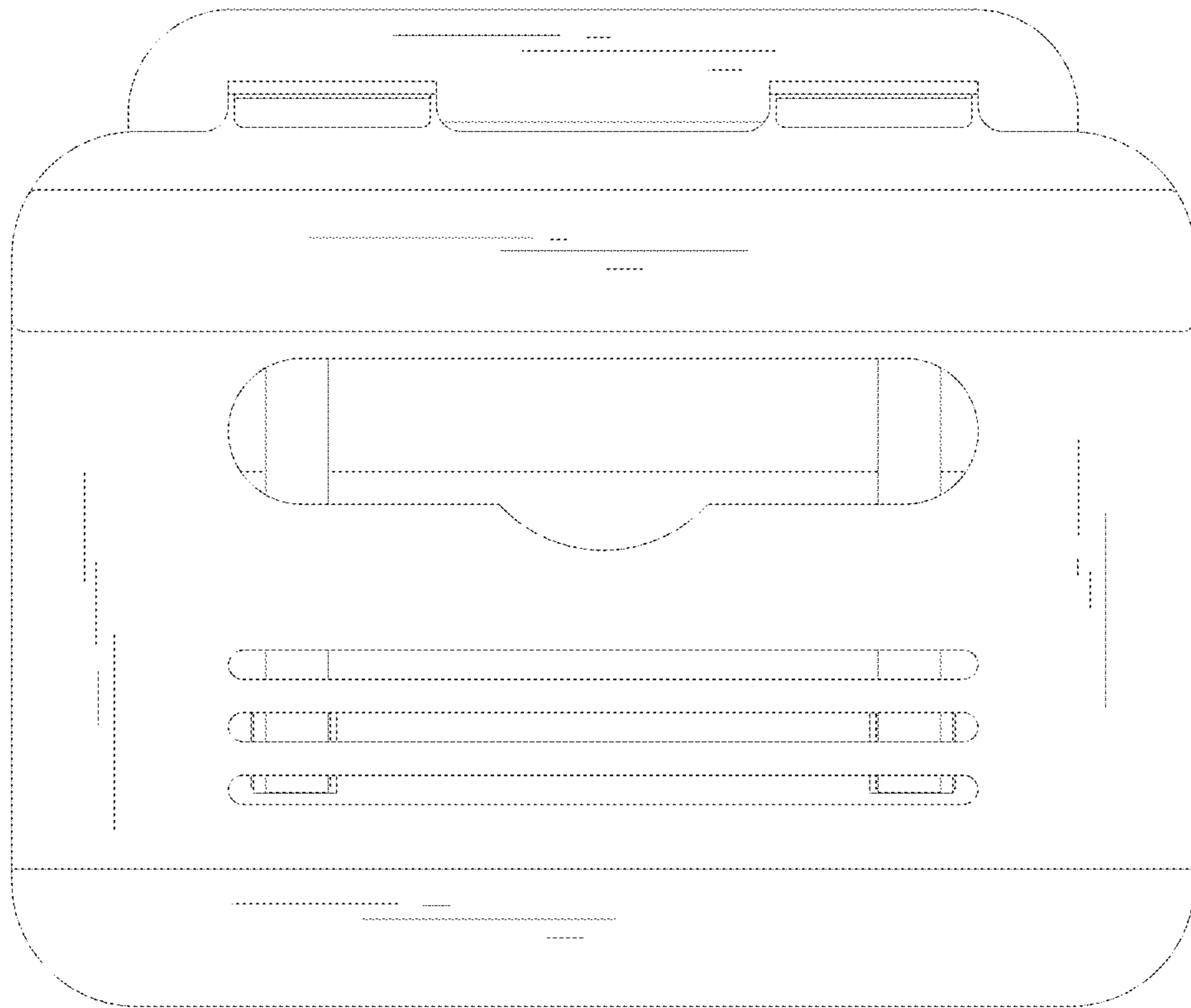


FIG. 2

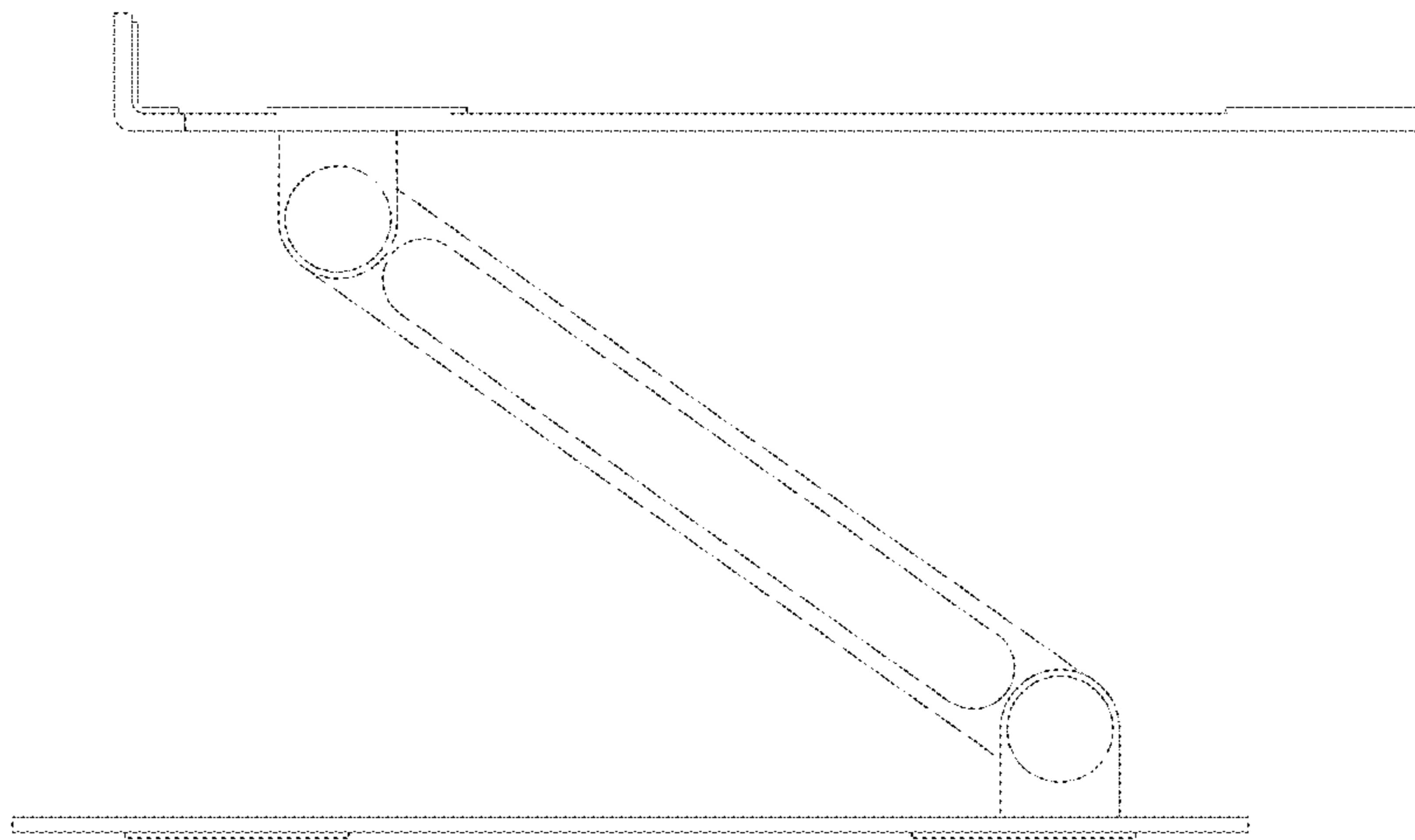


FIG.3

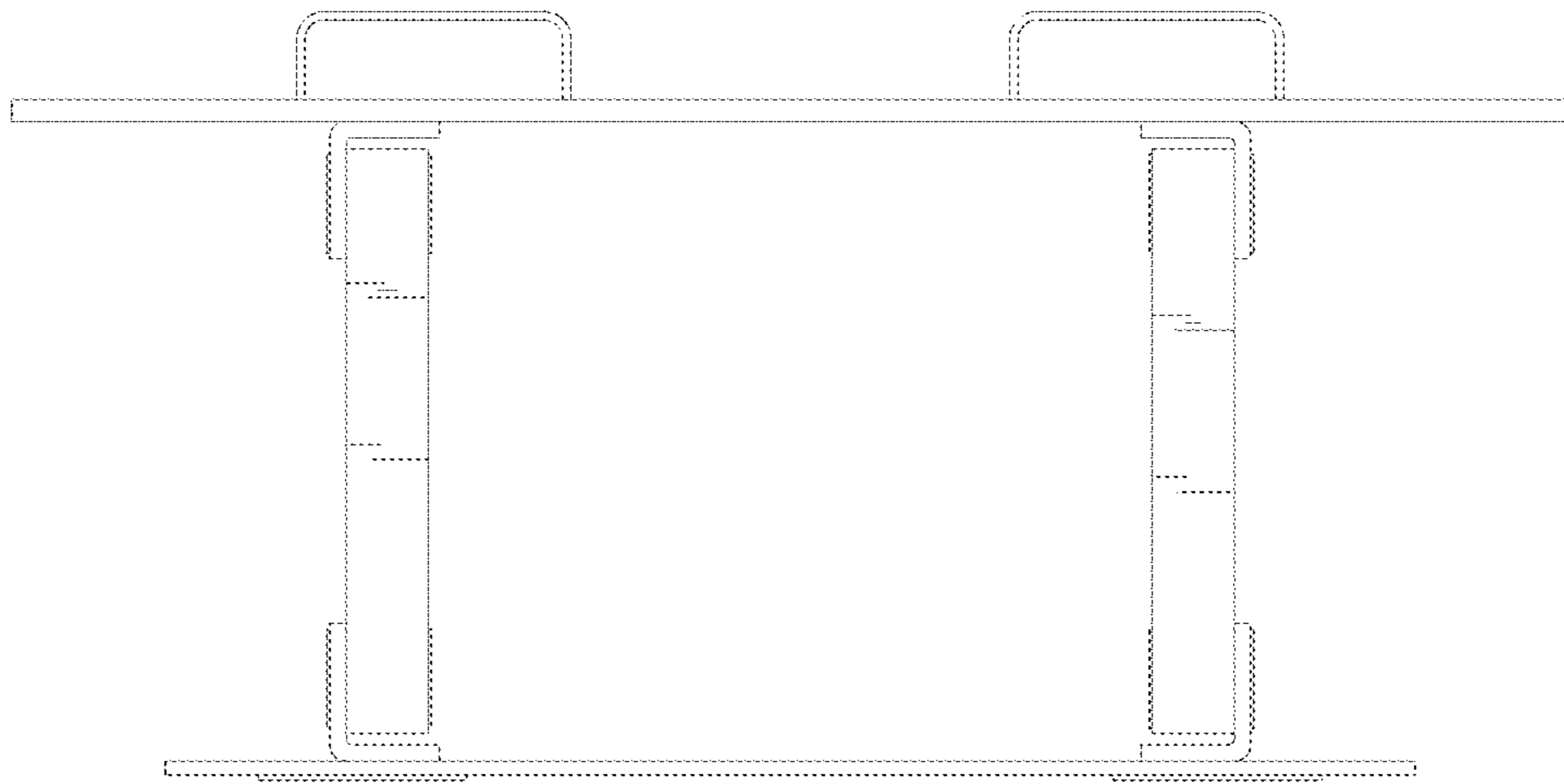


FIG.4

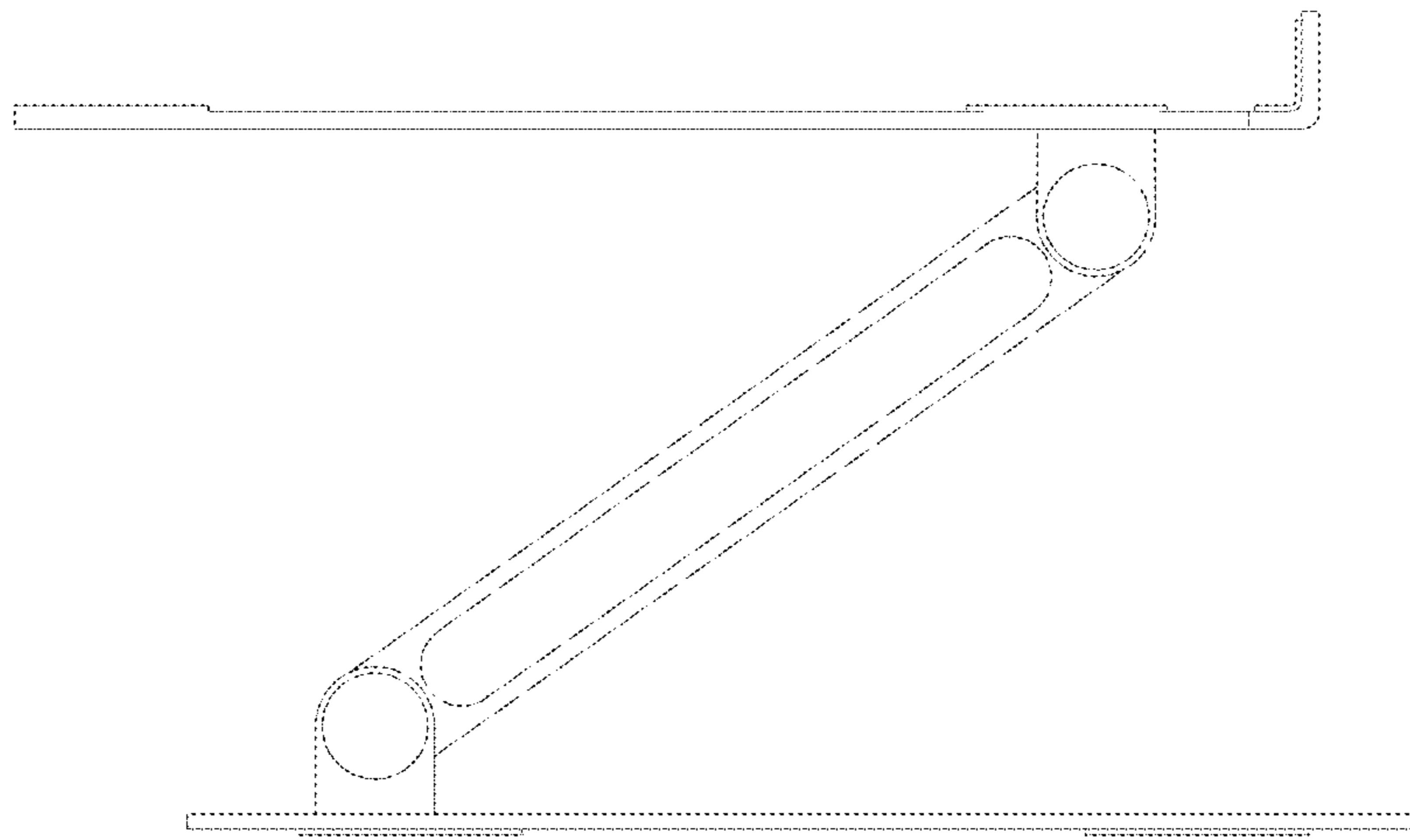


FIG. 5

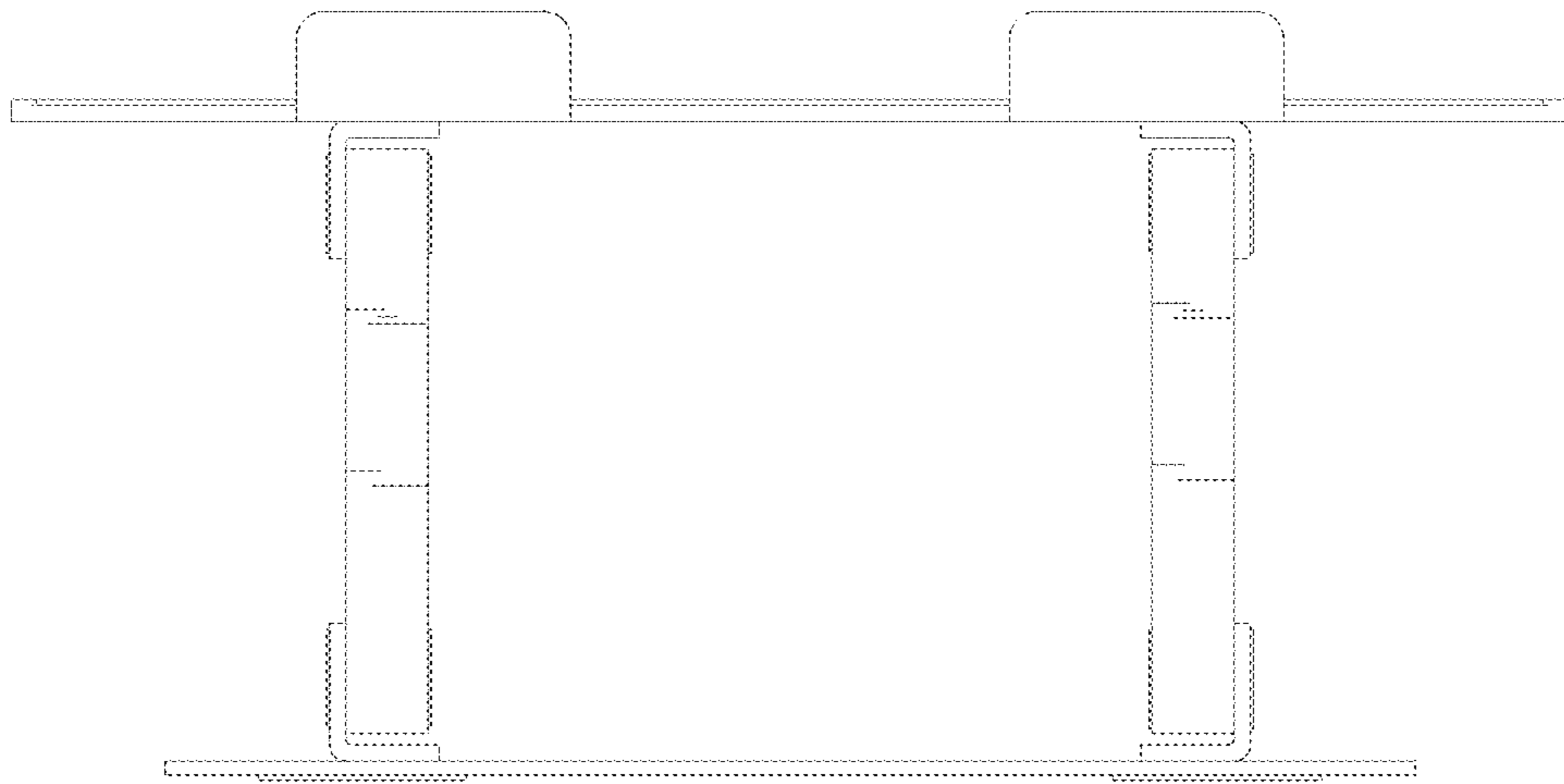


FIG.6

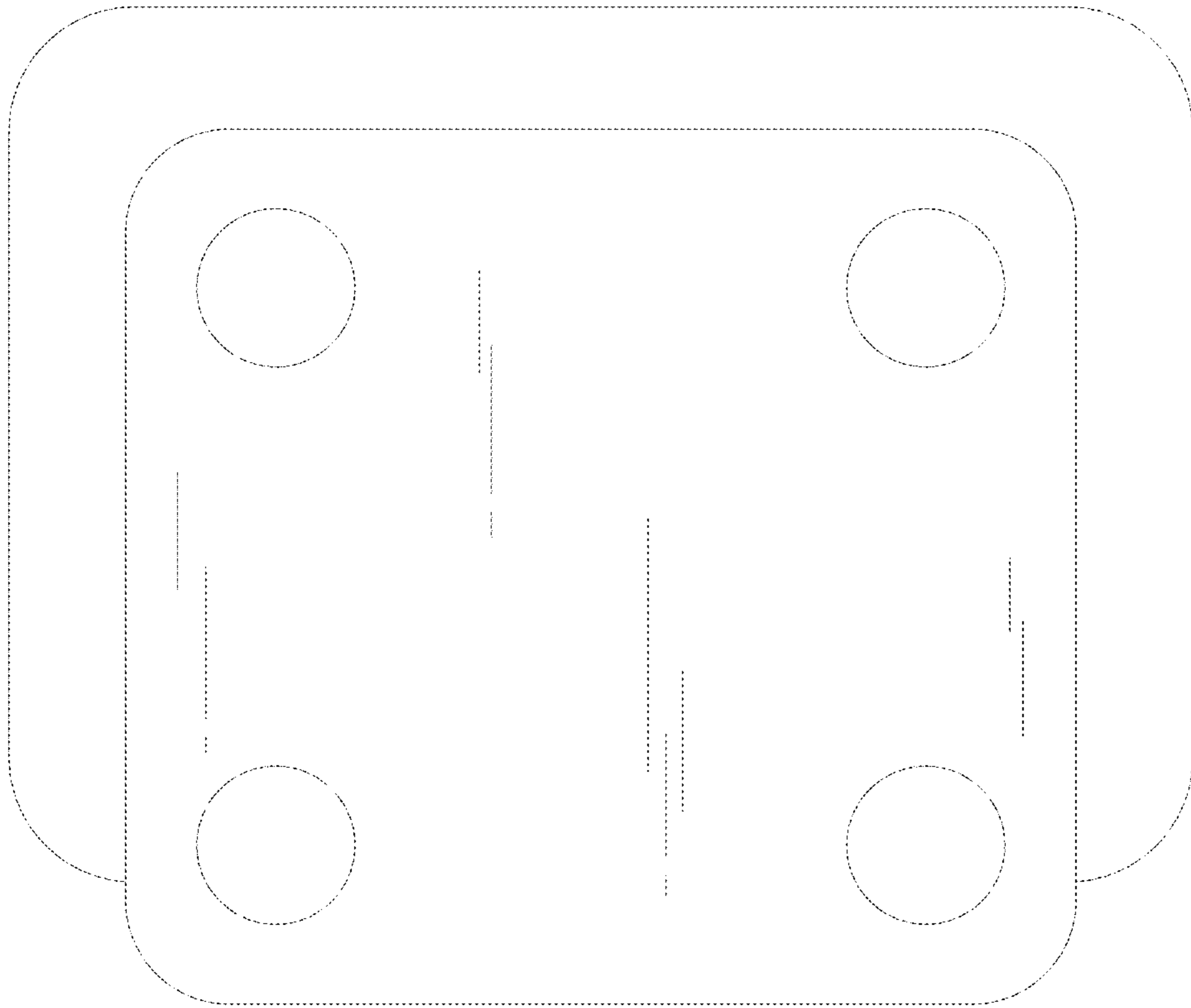


FIG. 7