



US00D923631S

(12) **United States Design Patent**
Chen

(10) **Patent No.:** **US D923,631 S**

(45) **Date of Patent:** **** Jun. 29, 2021**

(54) **LAPTOP STAND**
(71) Applicant: **DONGGUAN DUDIAOKE TRADING CO., LTD.**, Guangdong (CN)
(72) Inventor: **Cui Chen**, Guangdong (CN)
(73) Assignee: **DONGGUAN DUDIAOKE TRADING CO., LTD.**, Guangdong (CN)

9,326,598 B1 * 5/2016 West A47B 3/02
D857,025 S 8/2019 Guerrero, Jr. et al.
D864,619 S * 10/2019 Hu D6/655
D881,199 S 4/2020 Sheng
D882,987 S * 5/2020 Hu D6/656
D903,689 S * 12/2020 Zheng D14/447
D907,640 S * 1/2021 Huang D14/447
D907,644 S * 1/2021 Li D14/447
2018/0008037 A1 * 1/2018 Laudadio A47B 9/16
2020/0375351 A1 * 12/2020 Xiang A47B 3/02

* cited by examiner

Primary Examiner — Angela J Lee

(74) *Attorney, Agent, or Firm* — ScienBiziP, P.C.

(**) Term: **15 Years**
(21) Appl. No.: **29/757,053**

(22) Filed: **Nov. 2, 2020**
(51) **LOC (13) Cl.** **08-07**
(52) **U.S. Cl.**
USPC **D14/447**

(58) **Field of Classification Search**
USPC D14/447, 432, 434, 439, 440, 451, 452, D14/457, 239, 253; D8/363, 373, 380; D6/406.3, 406.4, 406.5, 406.6; D12/415
CPC A47B 21/04; A47B 2097/006; A47B 2097/005; A47B 2023/049; A45C 2011/002; A45C 2011/003; F16M 2200/00; F16M 13/00
See application file for complete search history.

(56) **References Cited**

U.S. PATENT DOCUMENTS

D385,727 S * 11/1997 Chang D6/691.8
D589,964 S * 4/2009 Heggland D14/434

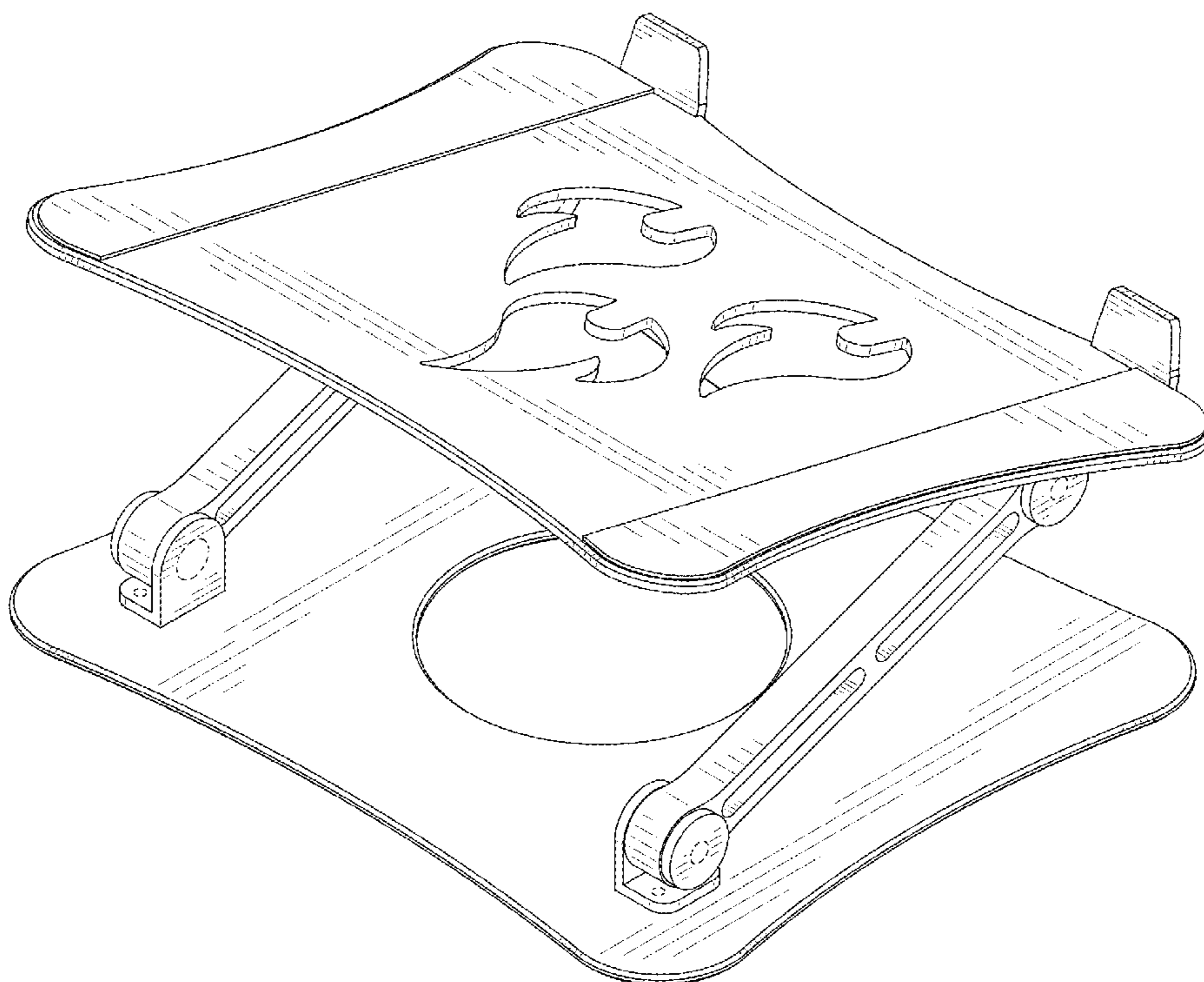
(57) **CLAIM**

The ornamental design for a laptop stand, as shown and described.

DESCRIPTION

FIG. 1 is a top perspective view of a laptop stand, showing my design.
FIG. 2 is a bottom perspective view thereof.
FIG. 3 is a front elevation view thereof.
FIG. 4 is a rear elevation view thereof.
FIG. 5 is a left side elevation thereof.
FIG. 6 is a right side elevation thereof.
FIG. 7 is a top plan view thereof; and,
FIG. 8 is a bottom plan view thereof.
The broken lines in the drawings depict environmental structure and boundaries and form no part of the claimed design.

1 Claim, 8 Drawing Sheets



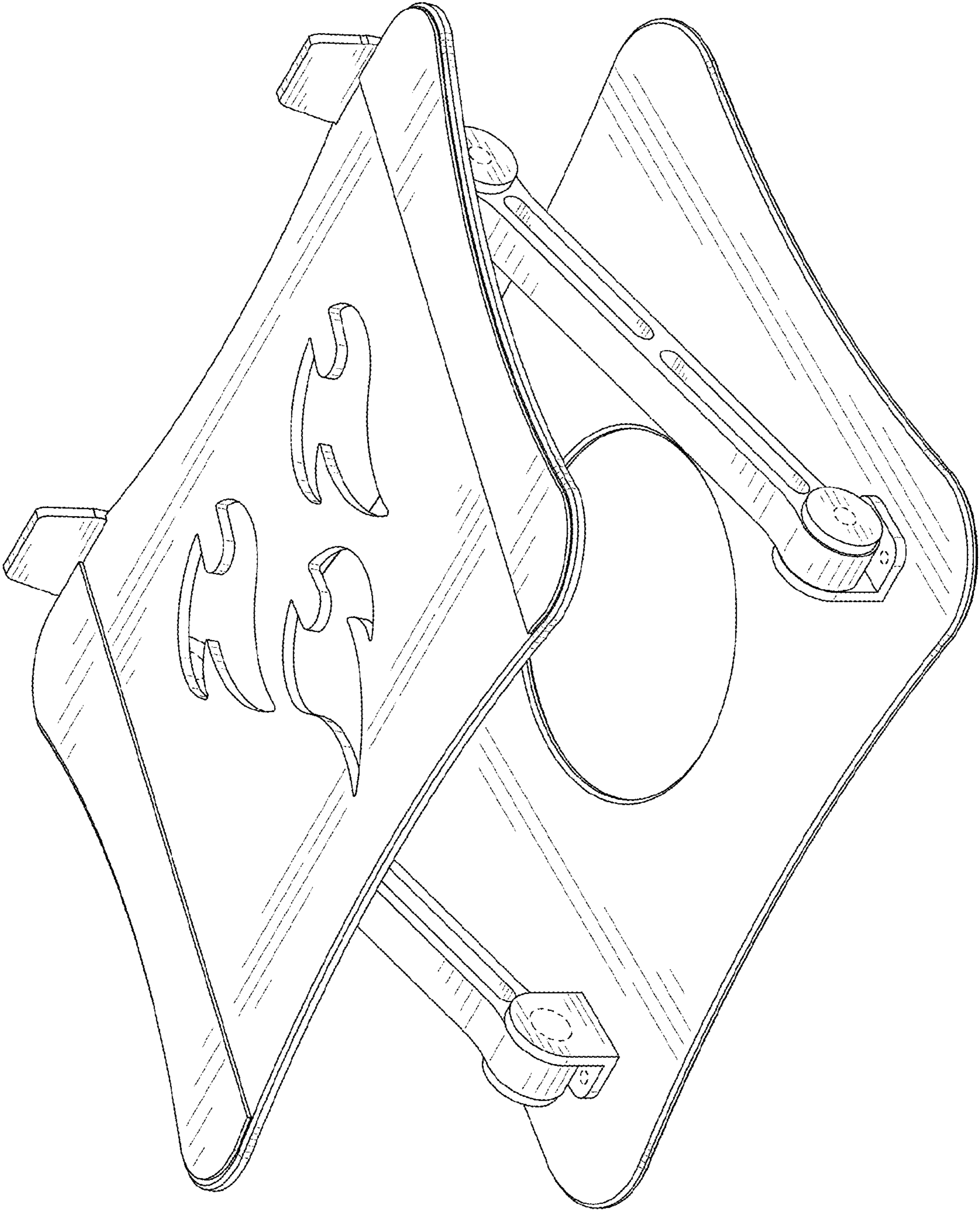


FIG. 1

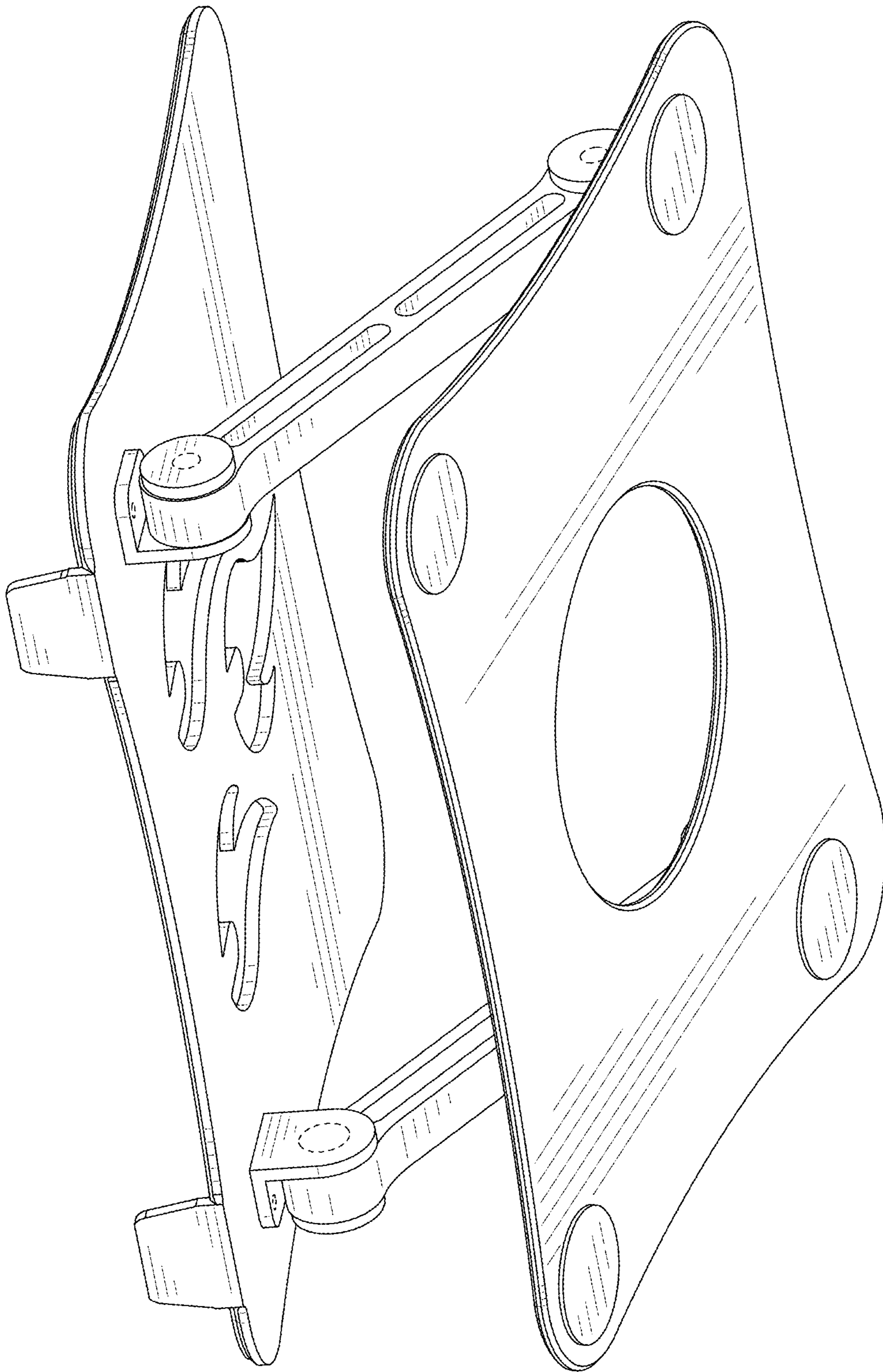


FIG. 2

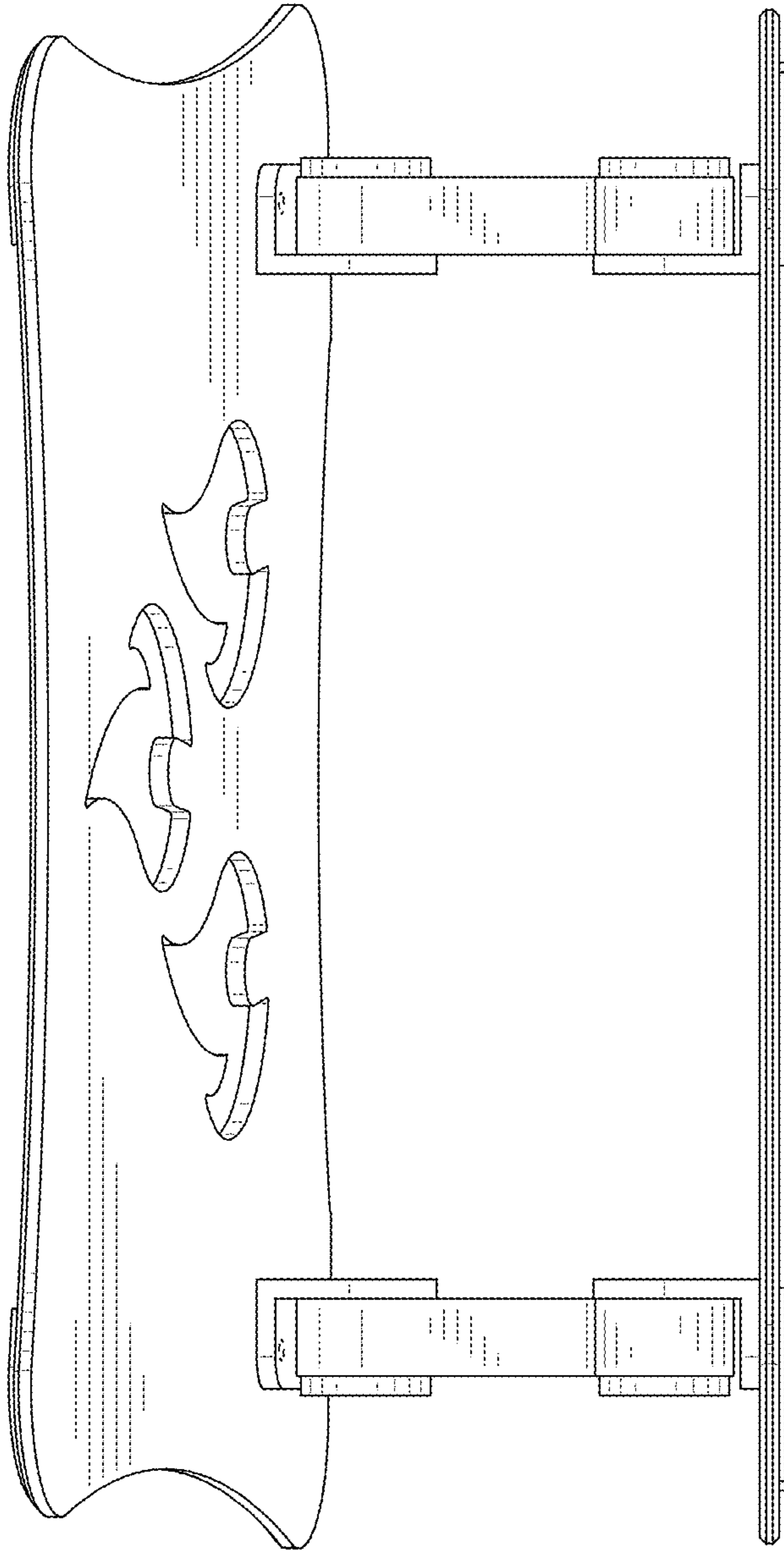


FIG. 3

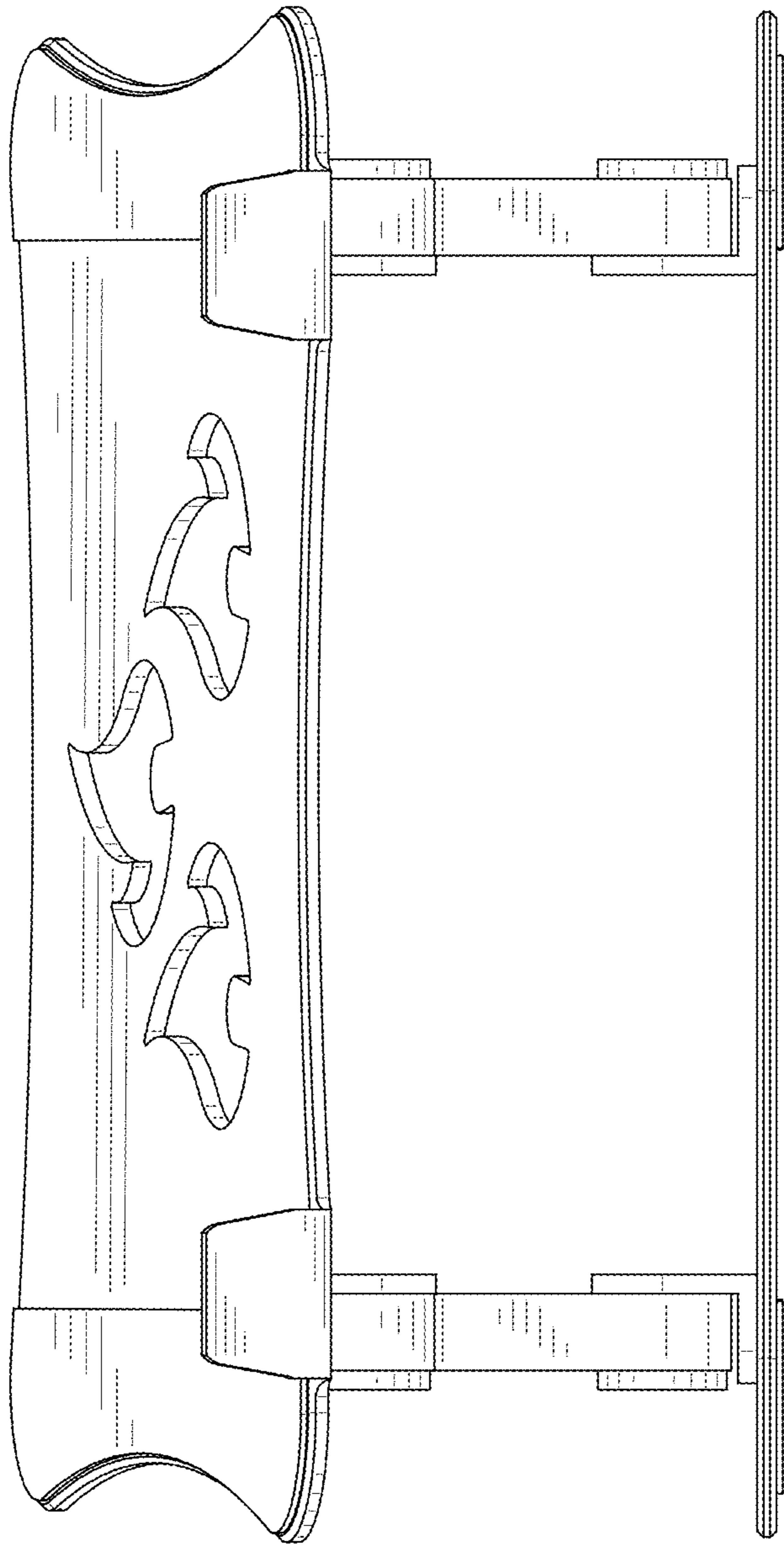


FIG. 4

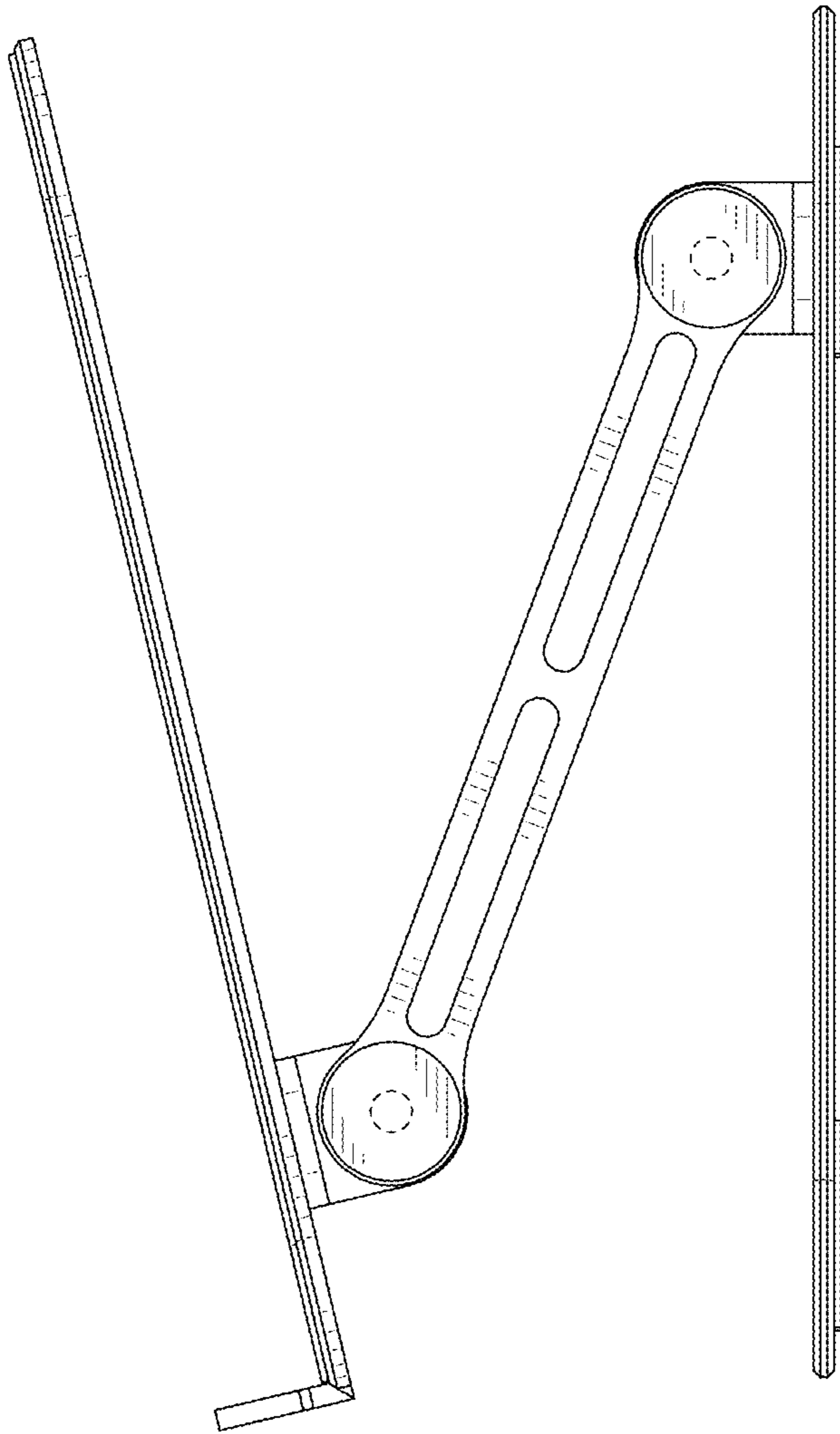


FIG. 5

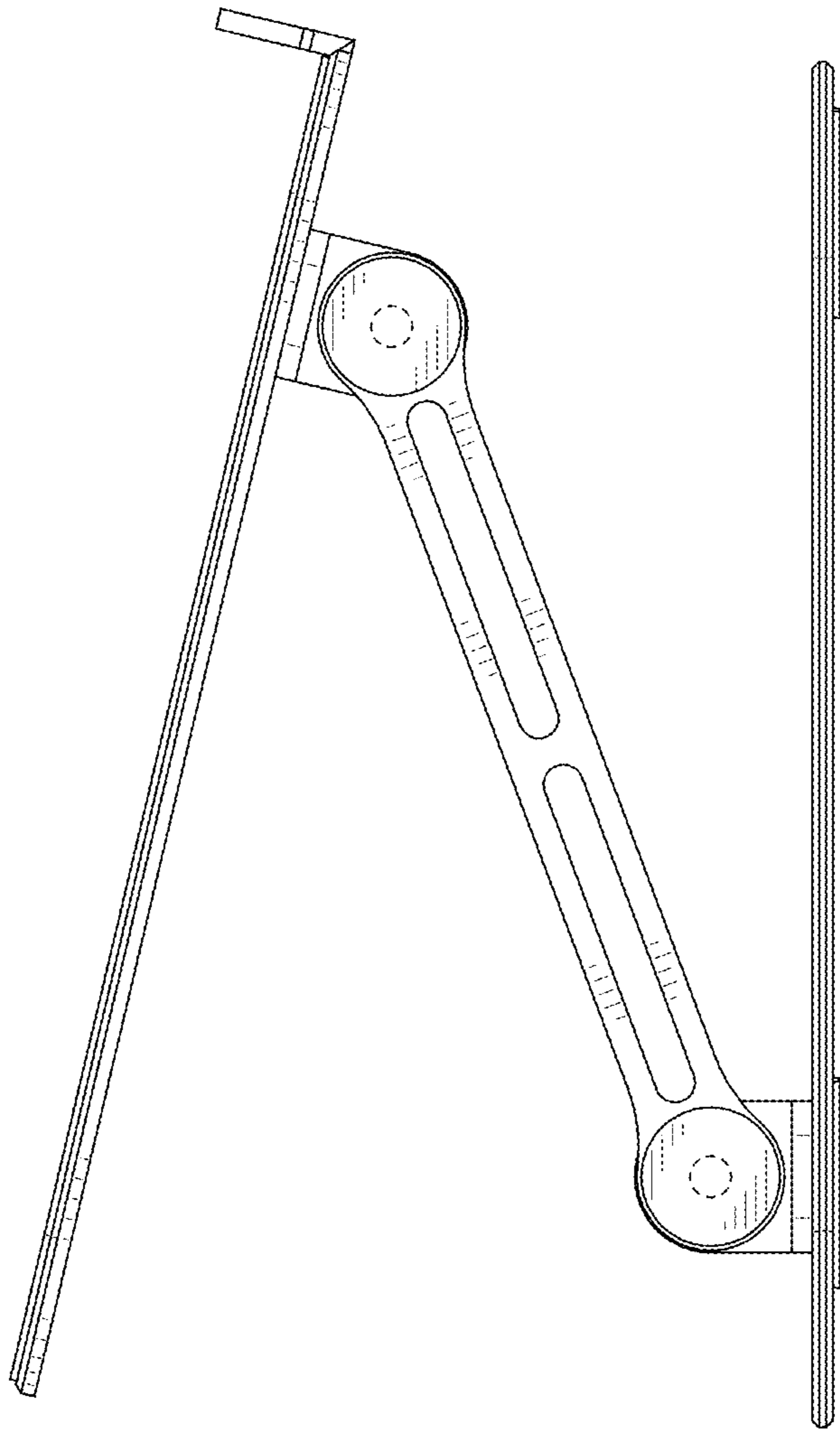


FIG. 6

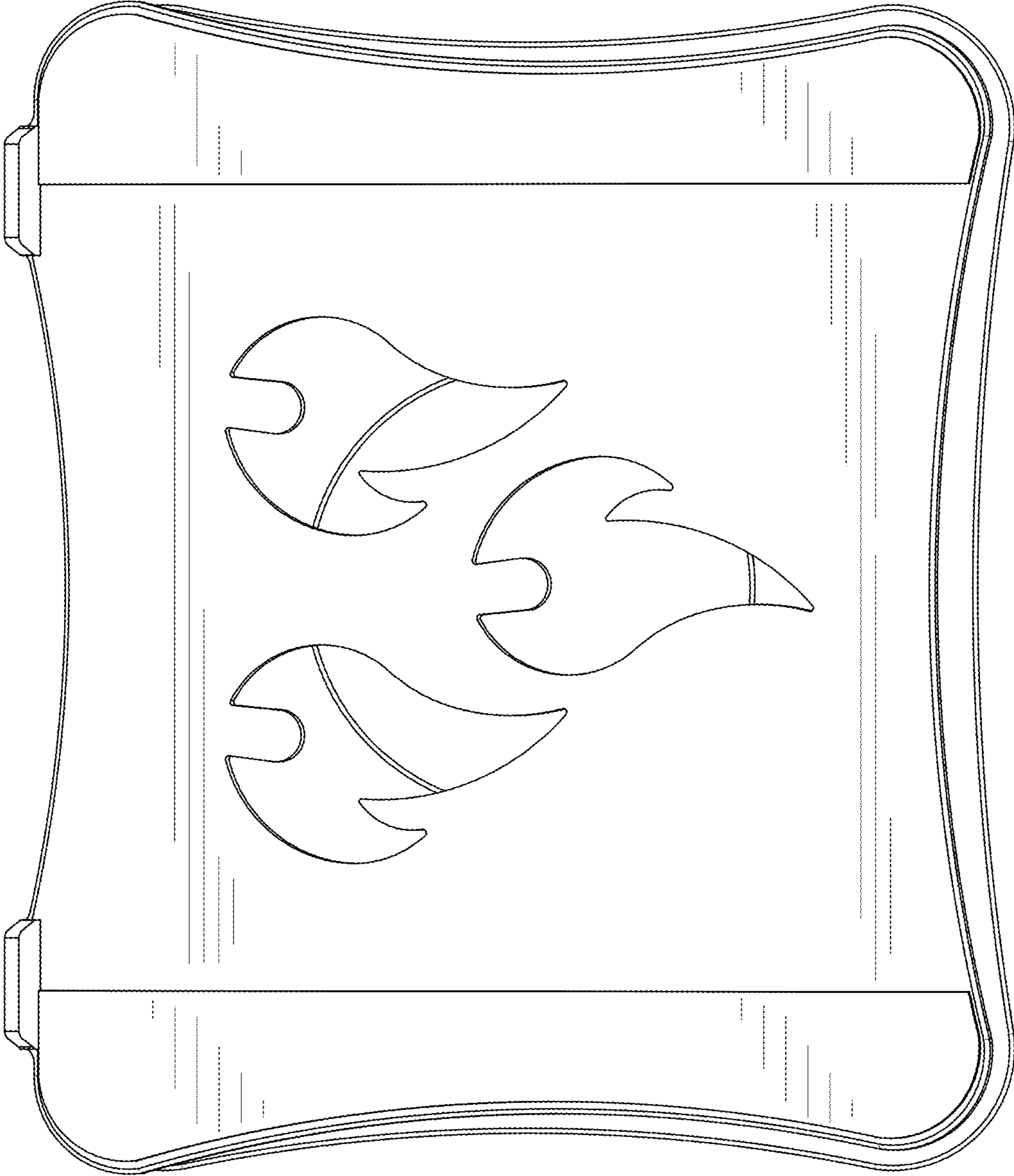


FIG. 7

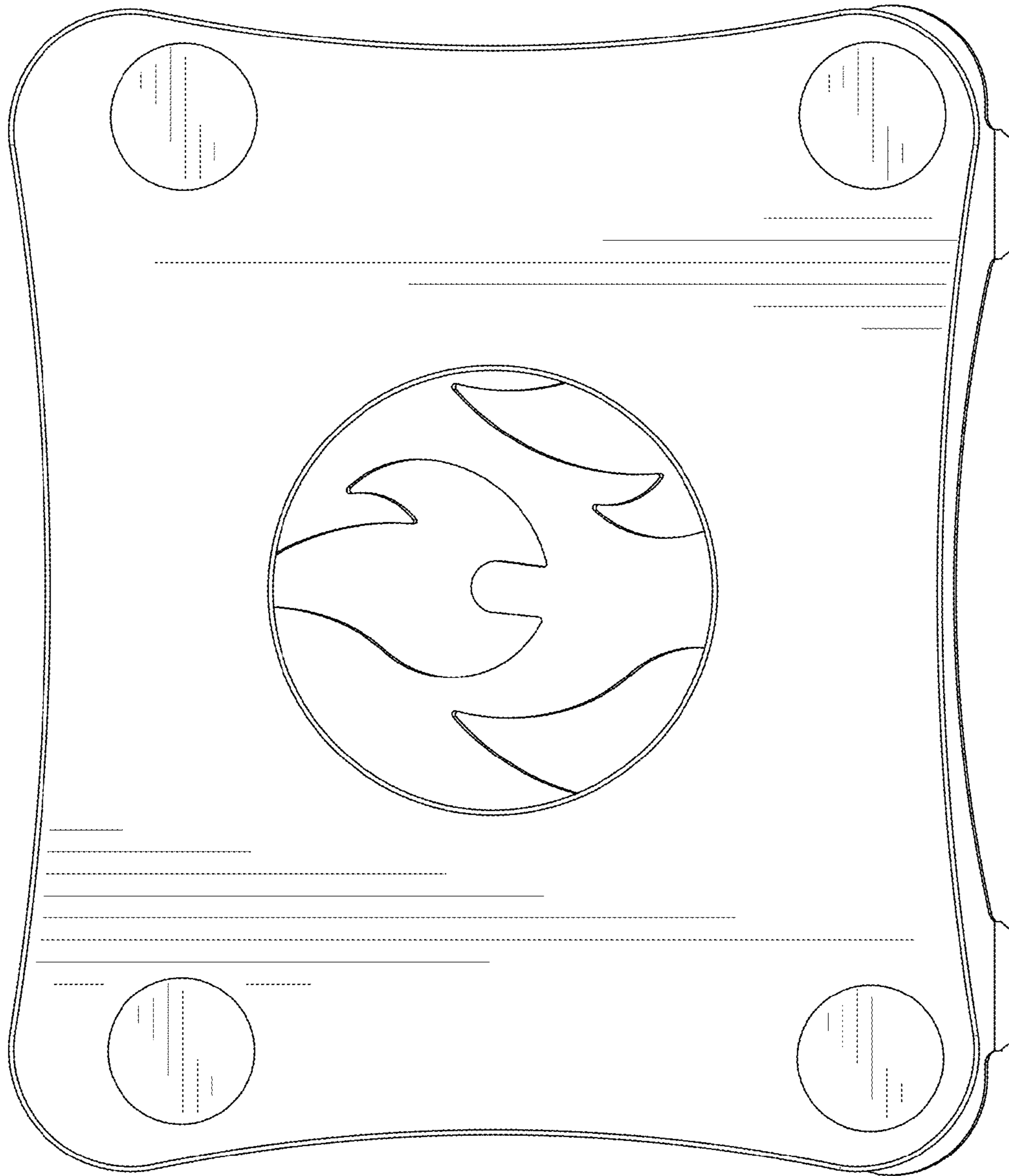


FIG. 8