



US00D923630S

(12) **United States Design Patent** (10) **Patent No.:** **US D923,630 S**  
**Lu** (45) **Date of Patent:** **\*\* Jun. 29, 2021**

(54) **LAPTOP STAND**  
(71) Applicant: **SHENZHEN PRIME TECHNOLOGY CO., LTD**, Shenzhen (CN)  
(72) Inventor: **Chengan Lu**, Shenzhen (CN)  
(73) Assignee: **SHENZHEN PRIME TECHNOLOGY CO., LTD**, Shenzhen (CN)

D483,771 S 12/2003 Esswein  
D626,964 S \* 11/2010 Richardson ..... D14/447  
D678,886 S \* 3/2013 Heckler ..... D14/447  
D705,785 S \* 5/2014 Wang ..... D14/447  
D721,710 S \* 1/2015 Messing ..... D14/447  
D733,155 S \* 6/2015 van Hooft ..... D14/447  
D804,490 S \* 12/2017 Wei ..... D14/447  
D868,073 S \* 11/2019 Smith ..... D14/447  
D870,116 S \* 12/2019 Lei ..... D14/447  
D894,195 S \* 8/2020 Chen ..... D14/447  
D913,290 S \* 3/2021 Mecchella ..... D14/434  
D915,414 S \* 4/2021 Yang ..... D14/447

\* cited by examiner

(\*\*) Term: **15 Years**

*Primary Examiner* — Angela J Lee

(21) Appl. No.: **29/751,670**

(57) **CLAIM**

(22) Filed: **Sep. 23, 2020**

The ornamental design for a laptop stand, as shown and described.

(51) **LOC (13) Cl.** ..... **08-07**

(52) **U.S. Cl.**  
USPC ..... **D14/447**

**DESCRIPTION**

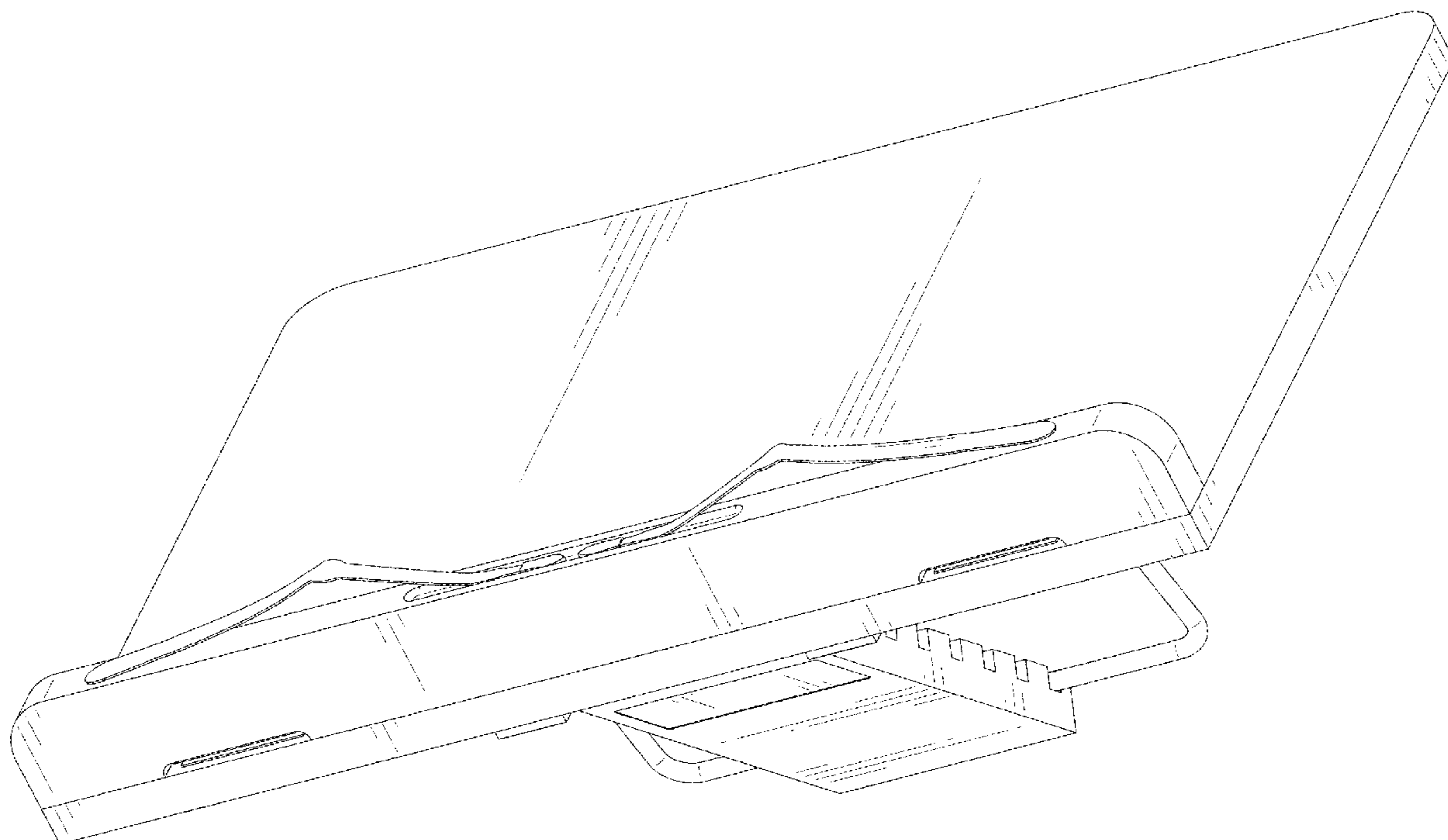
(58) **Field of Classification Search**  
USPC ..... D14/447, 432, 434, 439, 440, 451, 452, D14/457, 239, 253; D8/363, 373, 380; D6/406.3, 406.4, 406.5, 406.6; D12/415  
CPC ..... A47B 21/04; A47B 2097/006; A47B 2097/005; A47B 2023/049; A45C 2011/002; A45C 2011/003; F16M 2200/00; F16M 13/00  
See application file for complete search history.

FIG. 1 is a perspective view of a laptop stand showing my new design;  
FIG. 2 is another perspective view thereof;  
FIG. 3 is a front elevational view thereof;  
FIG. 4 is a rear elevational view thereof;  
FIG. 5 is a left side elevational view thereof;  
FIG. 6 is a right side elevational view thereof;  
FIG. 7 is a top plan view thereof;  
FIG. 8 is a bottom plan view thereof; and,  
FIG. 9 is a perspective view of the laptop stand where the laptop stand is in a configuration of use.  
The broken lines in the drawings depict portions of the laptop stand that form no part of the claimed design.

(56) **References Cited**  
U.S. PATENT DOCUMENTS

D443,999 S \* 6/2001 Cable ..... D6/406.4  
D468,542 S 1/2003 Hennekes et al.

**1 Claim, 9 Drawing Sheets**



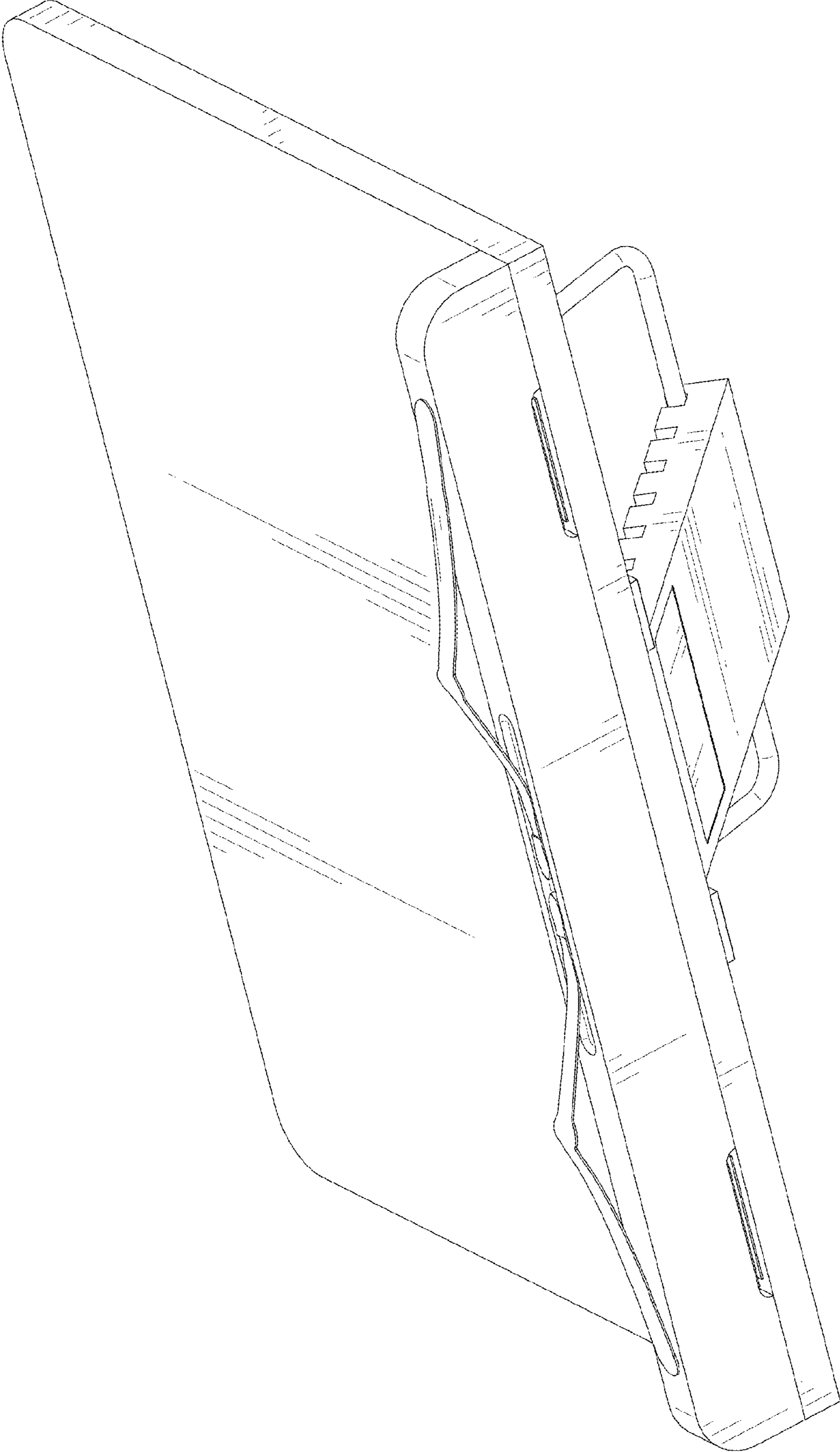


FIG. 1

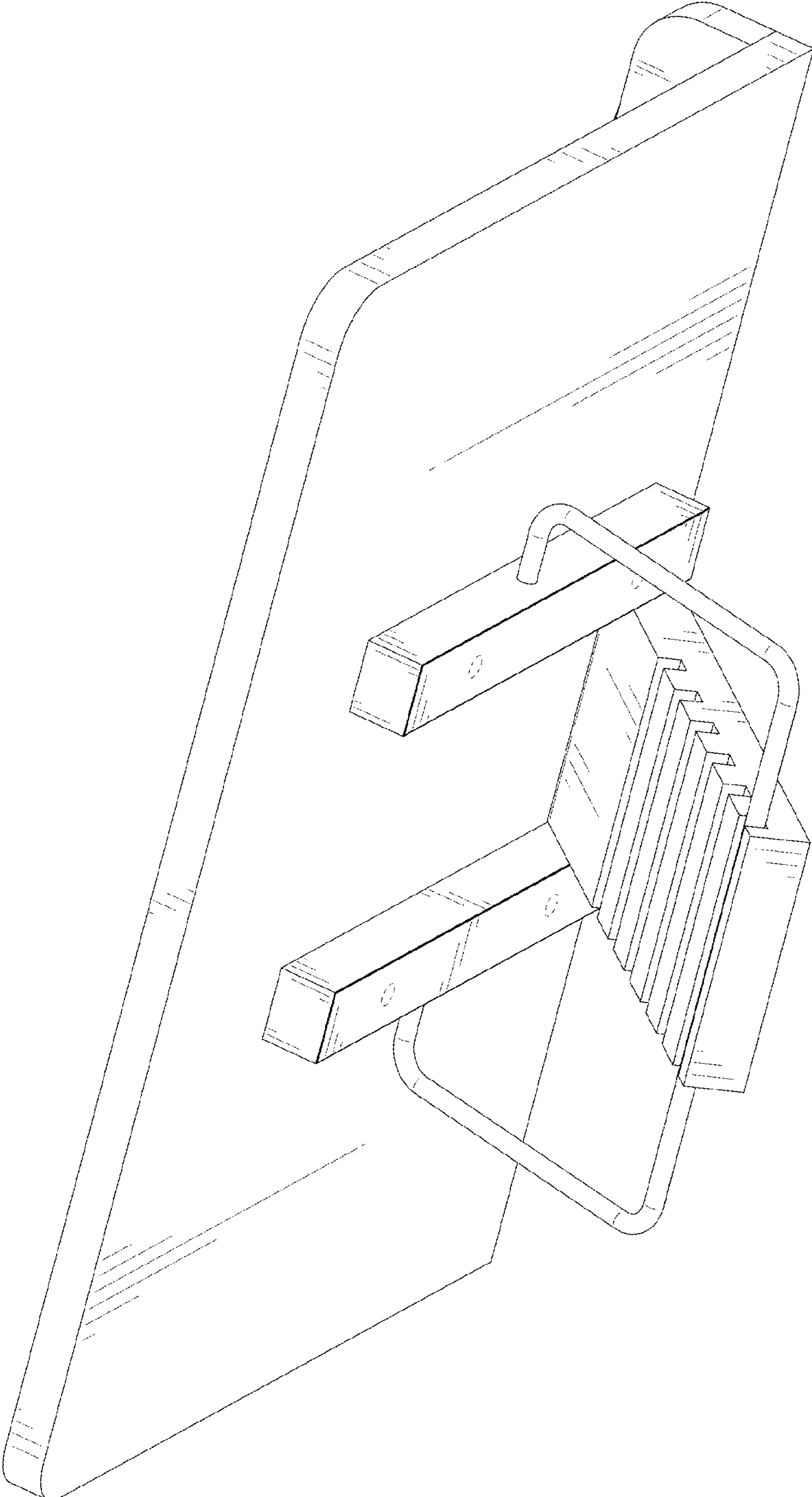


FIG. 2

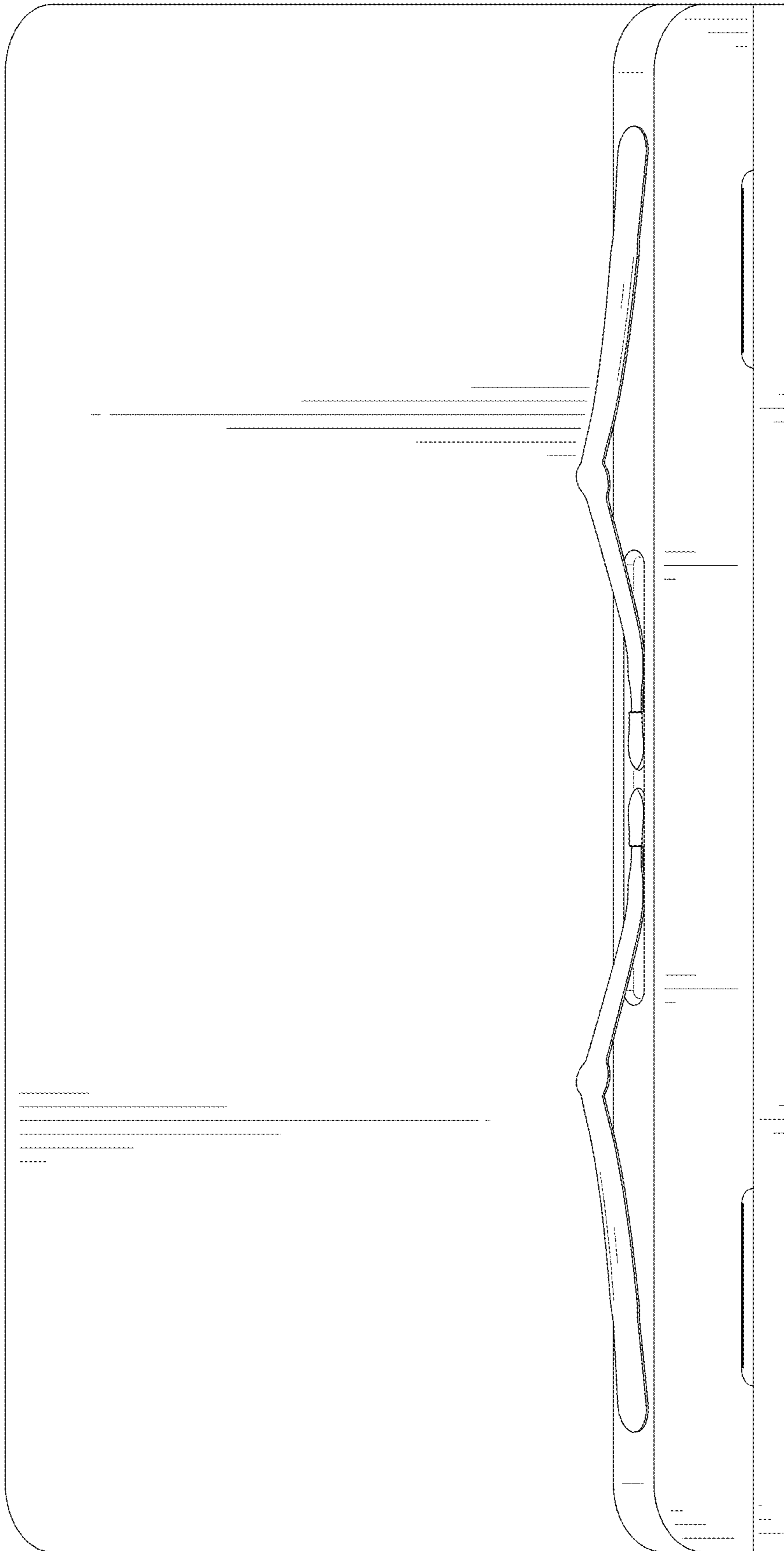


FIG. 3

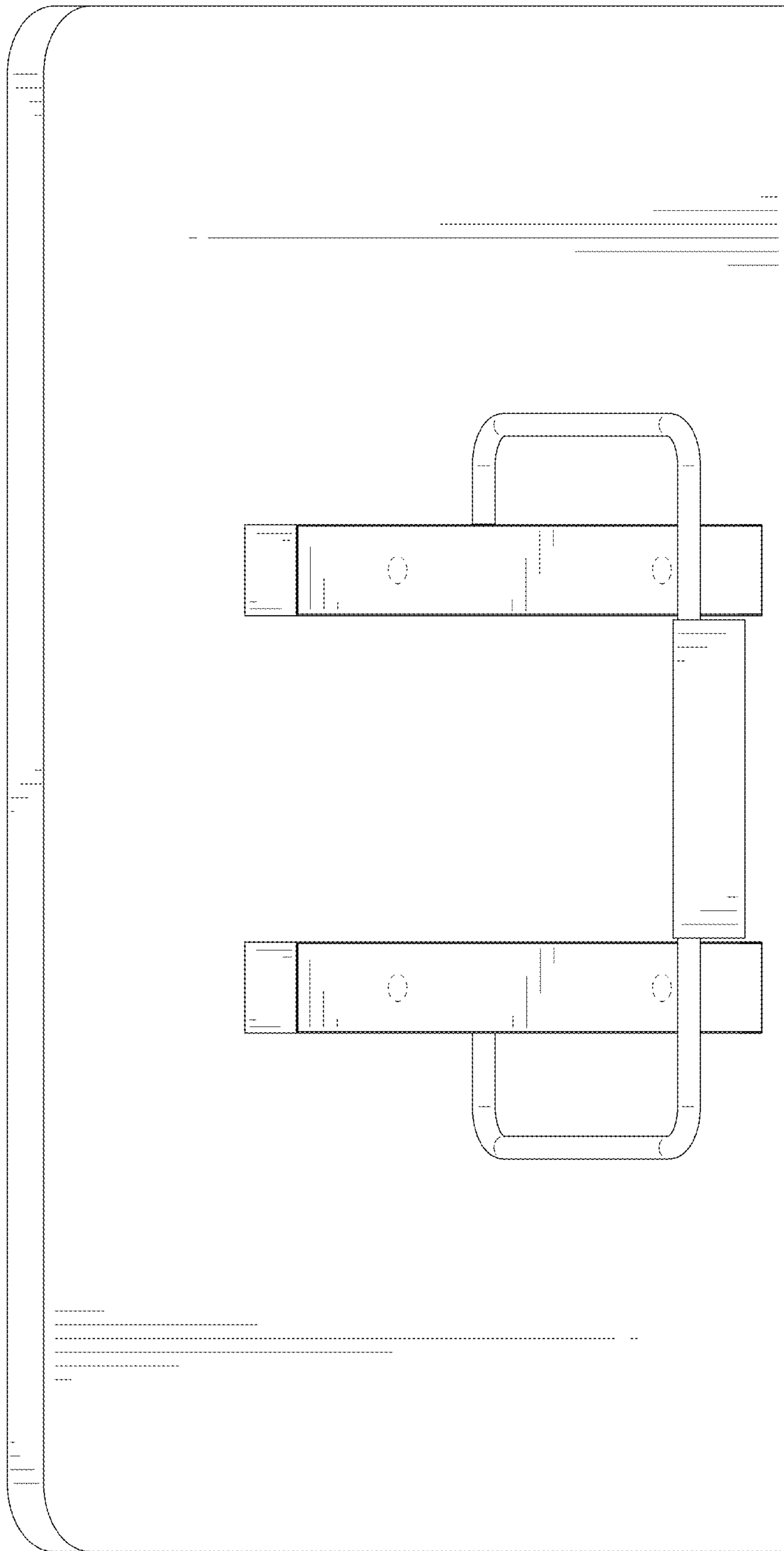


FIG. 4

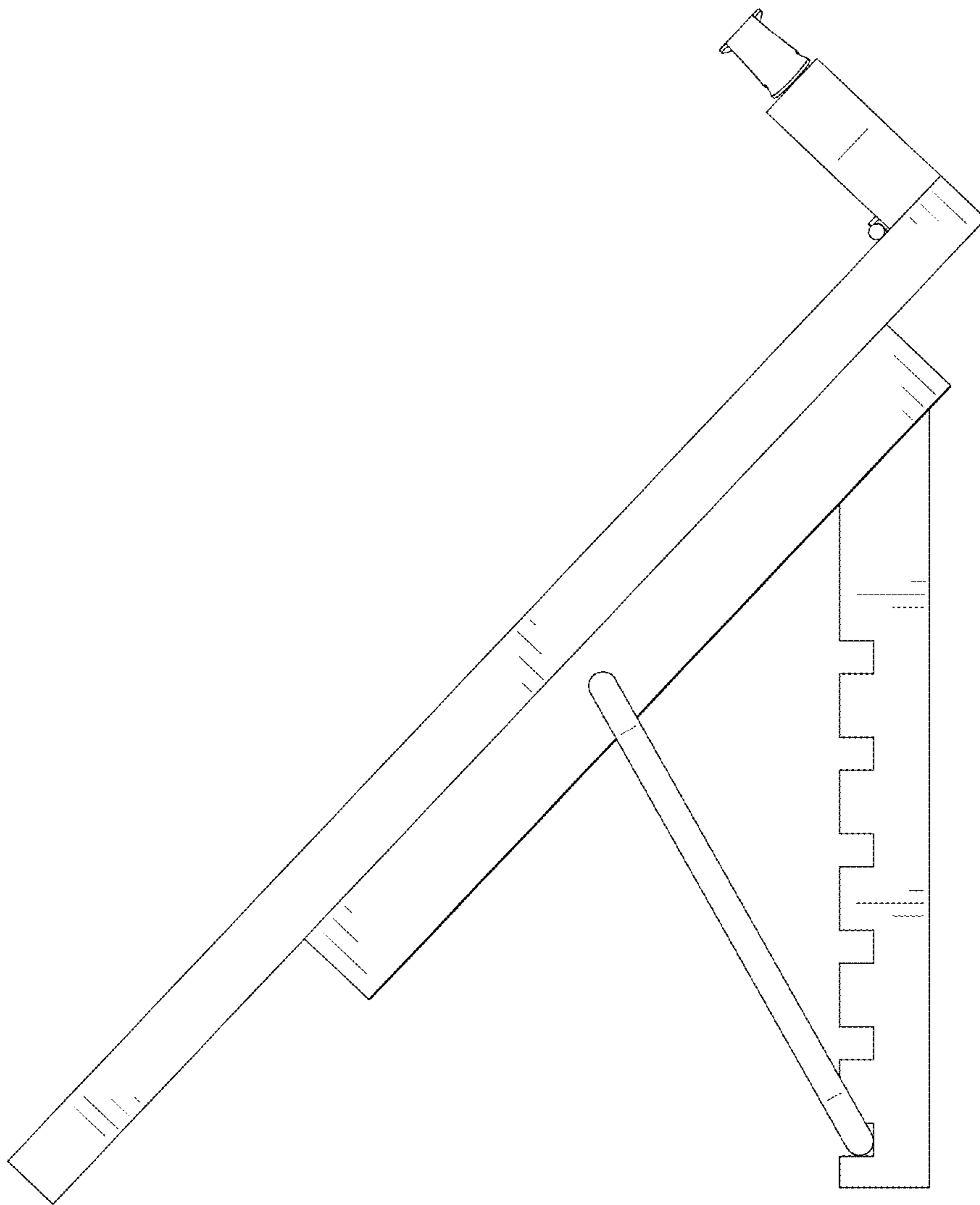


FIG. 5

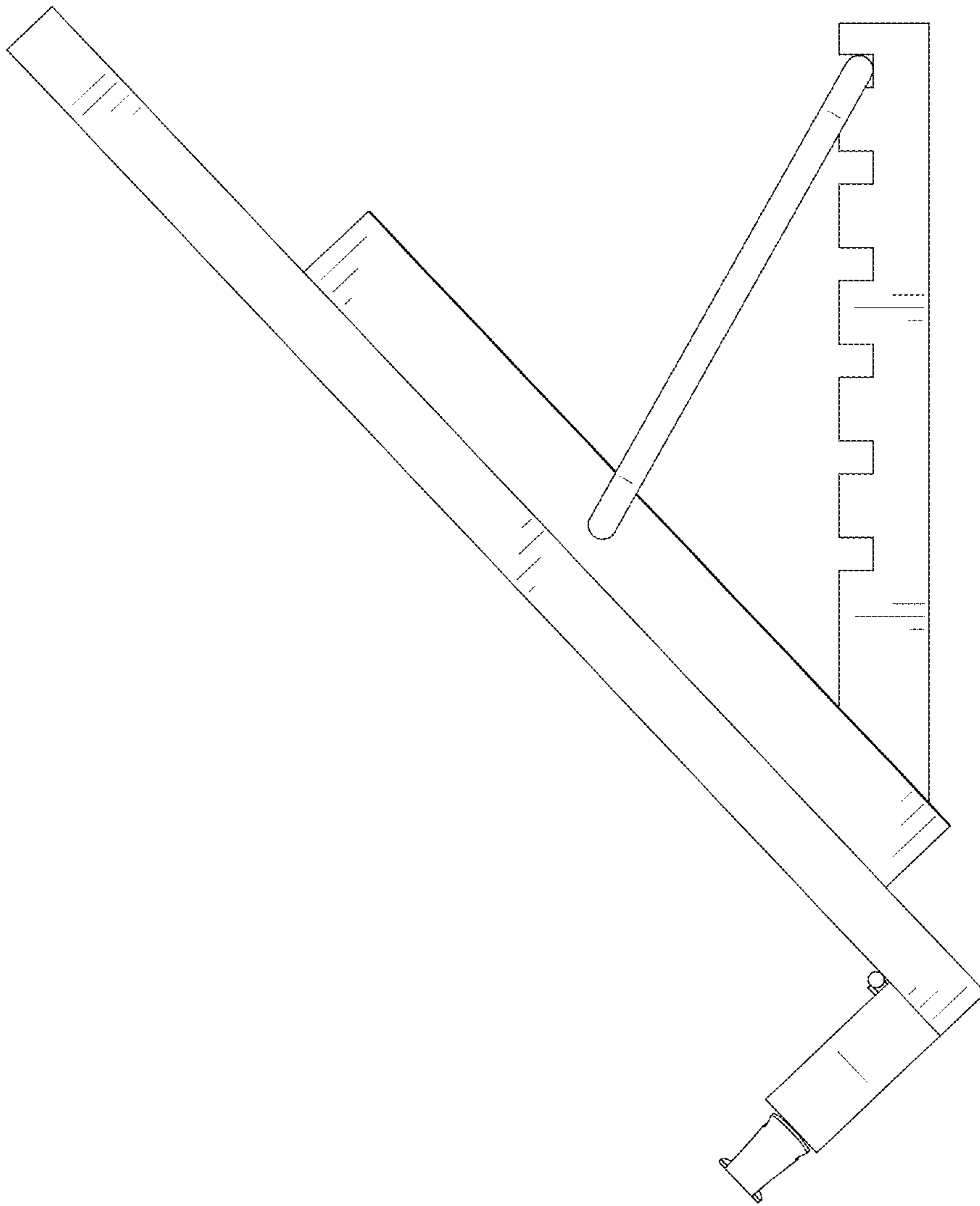


FIG. 6

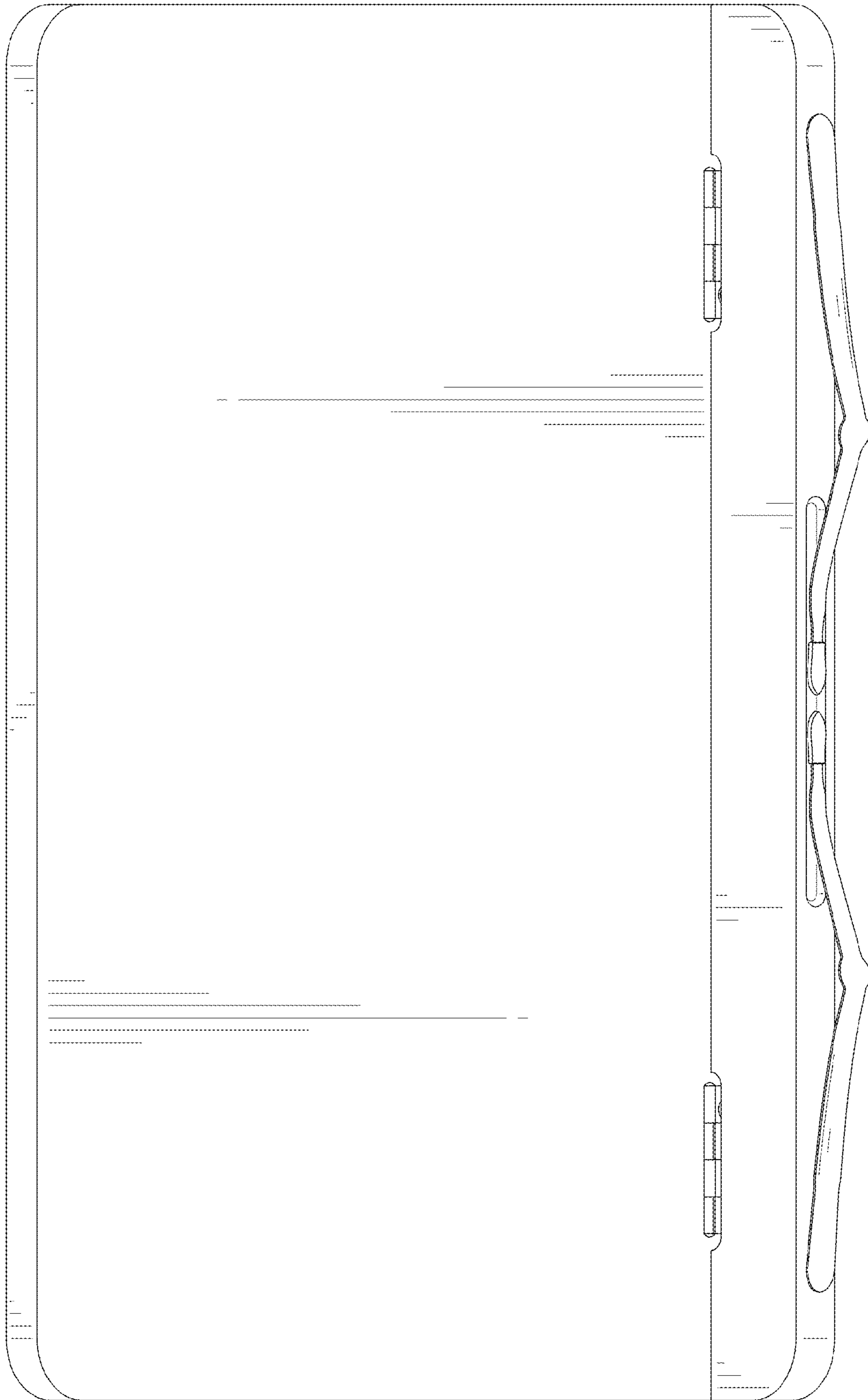


FIG. 7



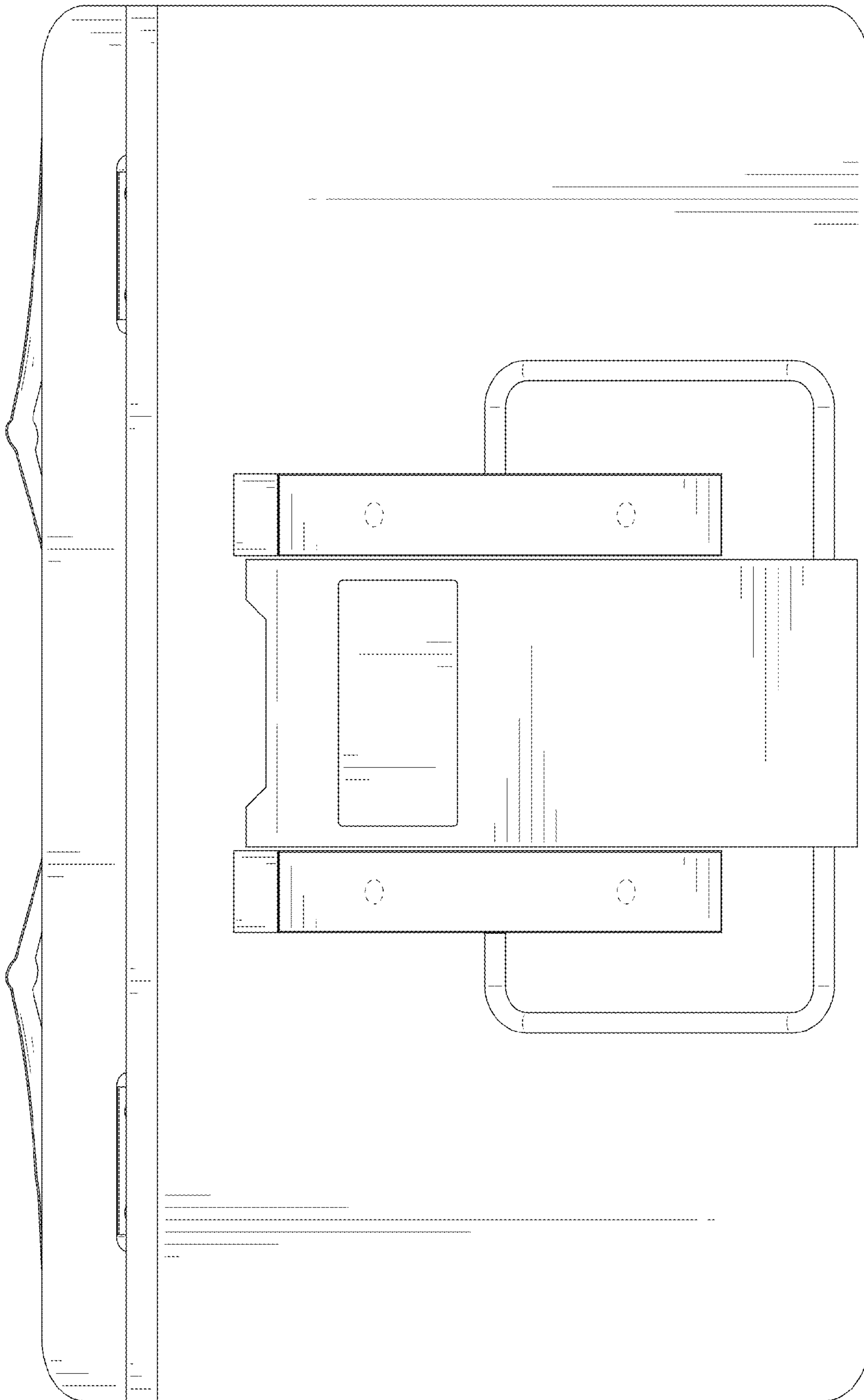


FIG. 8

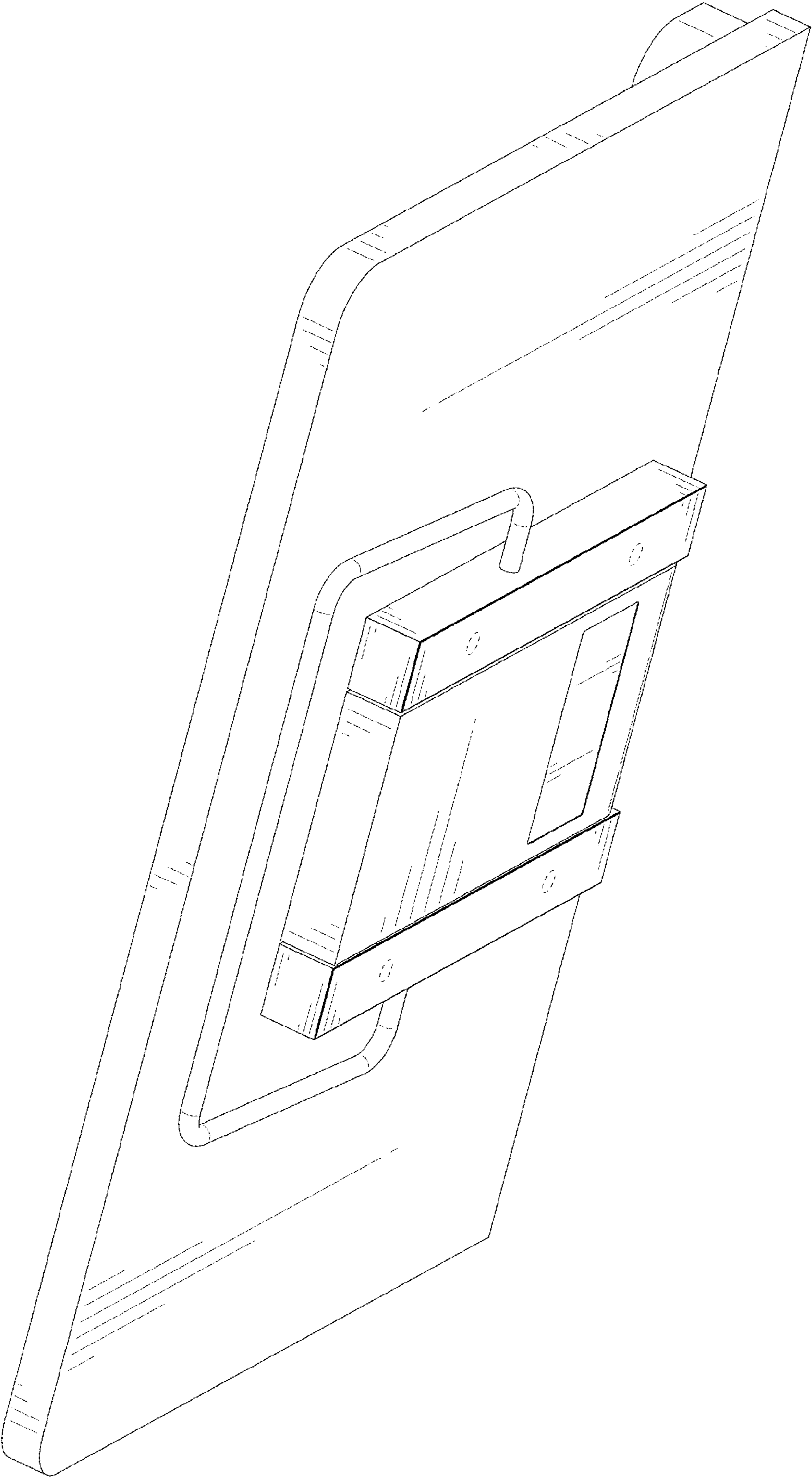


FIG. 9