



US00D923629S

(12) **United States Design Patent**
Ma

(10) **Patent No.:** **US D923,629 S**

(45) **Date of Patent:** **** Jun. 29, 2021**

- (54) **TABLET KEYBOARD CASE**
- (71) Applicant: **SHENZHEN DE FENG YUAN TECHNOLOGY CO., LTD**, Shenzhen (CN)
- (72) Inventor: **Yixun Ma**, Shantou (CN)
- (**) Term: **15 Years**
- (21) Appl. No.: **29/715,232**
- (22) Filed: **Nov. 29, 2019**
- (51) **LOC (13) Cl.** **14-02**
- (52) **U.S. Cl.**
USPC **D14/440**
- (58) **Field of Classification Search**
USPC D14/440, 447, 250; 206/45.23, 320, 206/45.2; 361/679.55; 294/25; 224/218
CPC G06F 1/1628; G06F 1/1626; G06F 1/699; A47B 23/044; H04B 1/3888
See application file for complete search history.

(56) **References Cited**

U.S. PATENT DOCUMENTS

8,434,601	B2 *	5/2013	Hou	A47B 23/043 190/1
D696,256	S *	12/2013	Piedra	D14/440
D696,669	S *	12/2013	Akana	D14/440
D700,611	S *	3/2014	Boldetti	D14/440
D719,169	S *	12/2014	McBroom	D14/440
8,905,231	B2 *	12/2014	Couch, III	A45C 13/02 206/320
D723,568	S *	3/2015	Kim	D14/440
D724,090	S *	3/2015	Kim	D14/440
D724,092	S *	3/2015	Zangari	D14/440
D727,916	S *	4/2015	Melmon	D14/440
D727,919	S *	4/2015	Melmon	D14/440
D729,253	S *	5/2015	Nyholm	D14/440
D733,152	S *	6/2015	Sirichai	D14/440
D734,340	S *	7/2015	Kim	D14/440
9,095,194	B2 *	8/2015	Hassett	A45C 11/00

D744,489	S *	12/2015	Sirichai	D14/440
D744,492	S *	12/2015	Lin	G06F 1/1632 D14/440
9,307,062	B2 *	4/2016	Kim	F16M 13/00
D764,472	S *	8/2016	Corcoran	D14/440
D819,038	S *	5/2018	Diebel	D14/440
D822,675	S *	7/2018	Zhu	D14/455
D832,270	S *	10/2018	Cheng	D14/440
D832,271	S *	10/2018	Cheng	A45C 11/00 D14/440
D837,219	S *	1/2019	Gao	D14/440
D845,305	S *	4/2019	Xu	D14/440

(Continued)

Primary Examiner — Cynthia R Underwood

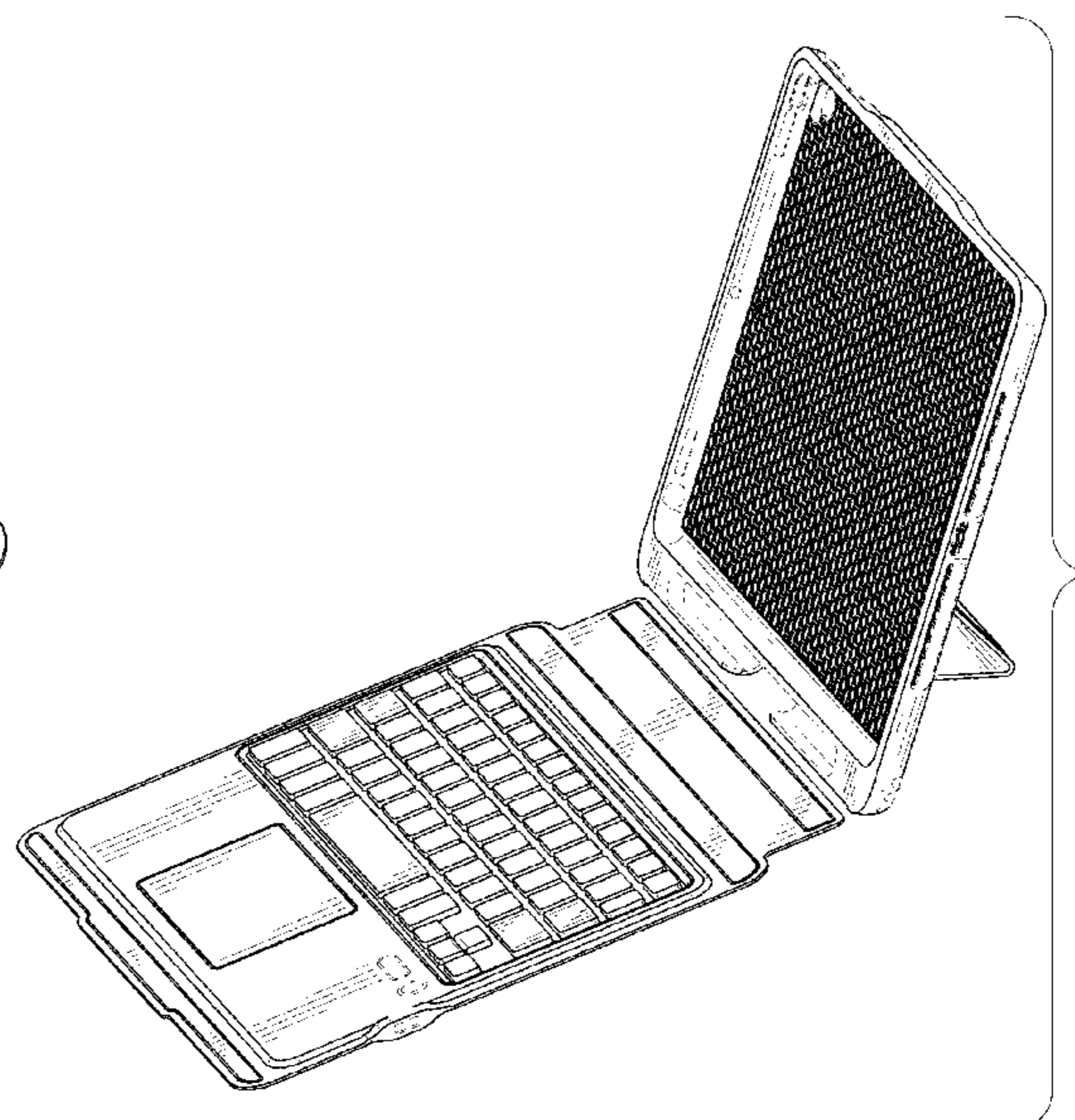
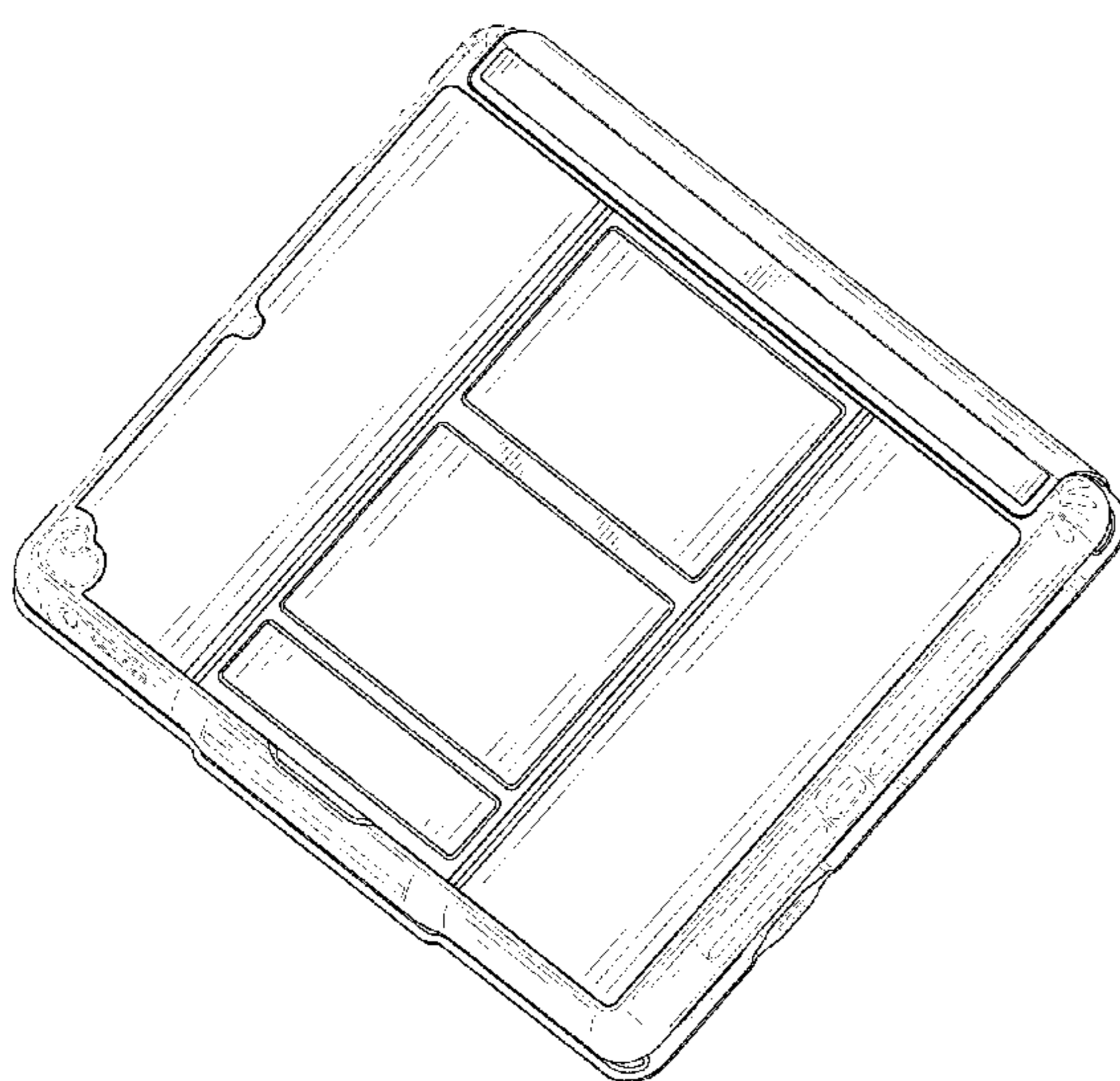
(57) **CLAIM**

The ornamental design for a tablet keyboard case, as shown and described.

DESCRIPTION

FIG. 1 is a perspective view of a tablet keyboard case showing my new design;
 FIG. 2 is a front view thereof;
 FIG. 3 is a back view thereof;
 FIG. 4 is a left side view thereof;
 FIG. 5 is a right side view thereof;
 FIG. 6 is a top view thereof;
 FIG. 7 is a bottom view thereof;
 FIG. 8 is a perspective view of another state of the tablet keyboard case thereof;
 FIG. 9 is a perspective view of futher another state of the tablet keyboard case thereof;
 FIG. 10 is a perspective view of futher another state of the tablet keyboard case thereof; and,
 FIG. 11 is a perspective view of futher another state of the tablet keyboard case thereof.
 The broken lines shown in the drawings depict portions of the tablet keyboard case in which the design is embodied that form no part of the claimed design.

1 Claim, 11 Drawing Sheets



(56)

References Cited

U.S. PATENT DOCUMENTS

D846,550 S * 4/2019 Feng D14/440
 D846,551 S * 4/2019 Feng D14/440
 D846,552 S * 4/2019 Feng D14/440
 D846,553 S * 4/2019 Feng D14/440
 D848,409 S * 5/2019 Feng D14/250
 10,389,398 B1 * 8/2019 Garcia A45C 13/005
 D868,072 S * 11/2019 Lei D14/440
 D868,788 S * 12/2019 Weng D14/440
 D872,093 S * 1/2020 Xu D14/440
 D881,895 S * 4/2020 Liu D14/440
 D883,989 S * 5/2020 Cheng D14/440
 D885,399 S * 5/2020 Chen D14/440
 D892,803 S * 8/2020 Armstrong D14/440
 D901,512 S * 11/2020 Chen D14/440
 10,842,237 B2 * 11/2020 Takano A47B 23/044
 2007/0057140 A1 * 3/2007 Liou F16M 11/10
 248/456
 2008/0029412 A1 * 2/2008 Ho F16M 11/2014
 206/320
 2009/0159763 A1 * 6/2009 Kim F16M 11/22
 248/174
 2009/0178938 A1 * 7/2009 Palmer A45C 5/03
 206/45.23
 2009/0194209 A1 * 8/2009 De Filippis A45C 11/00
 150/107

2011/0227463 A1 * 9/2011 Hou A47B 23/043
 312/223.1
 2011/0266194 A1 * 11/2011 Bau H04B 1/3888
 206/736
 2011/0290687 A1 * 12/2011 Han A45C 13/002
 206/320
 2011/0297566 A1 * 12/2011 Gallagher F16M 11/2021
 206/320
 2012/0044638 A1 * 2/2012 Mongan A45C 11/00
 361/679.55
 2013/0140194 A1 * 6/2013 Han G06F 1/1656
 206/45.23
 2013/0233762 A1 * 9/2013 Balaji B29C 65/7802
 206/736
 2014/0291175 A1 * 10/2014 Chung G06F 1/1656
 206/45.23
 2015/0083615 A1 * 3/2015 Lay F16M 11/38
 206/45.24
 2015/0263776 A1 * 9/2015 Shyu A45C 13/002
 455/575.8
 2015/0280768 A1 * 10/2015 Huang H04B 1/3888
 455/575.8
 2015/0296068 A1 * 10/2015 Chin A45C 13/002
 455/575.8
 2015/0374118 A1 * 12/2015 van Hooft A45C 11/00
 248/451
 2016/0187937 A1 * 6/2016 Ahee A45C 13/005
 361/679.09

* cited by examiner

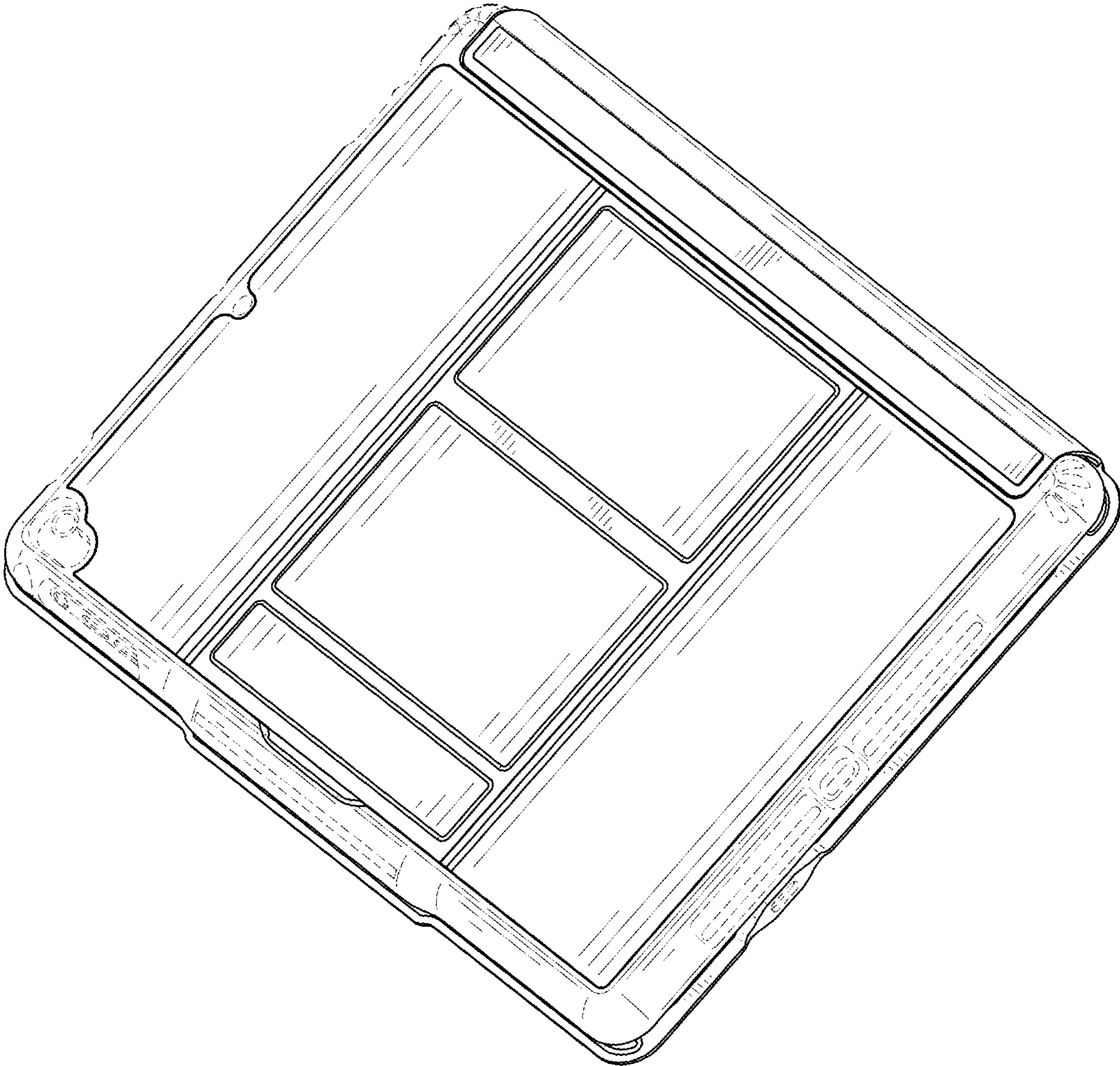


FIG. 1

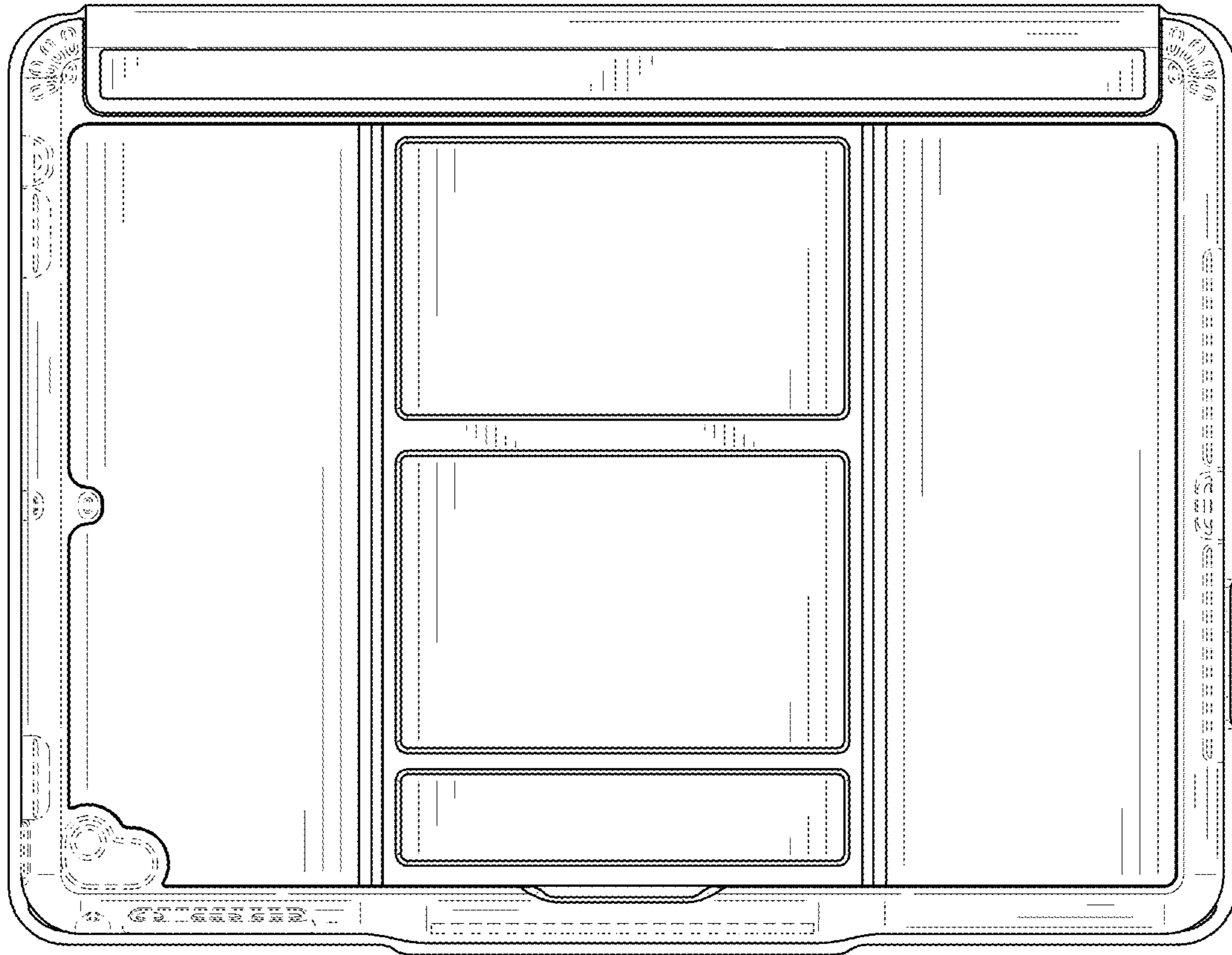


FIG. 2

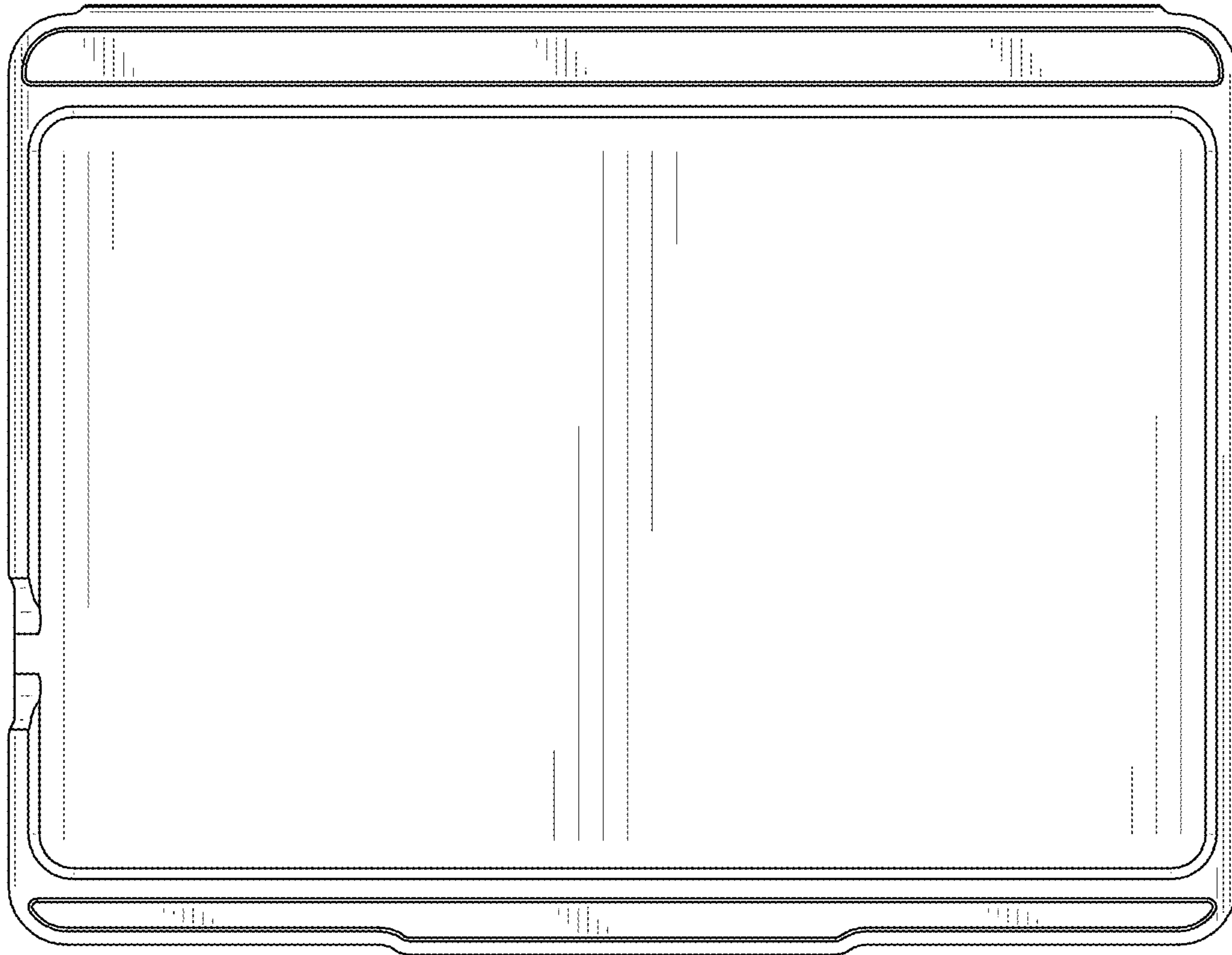


FIG. 3

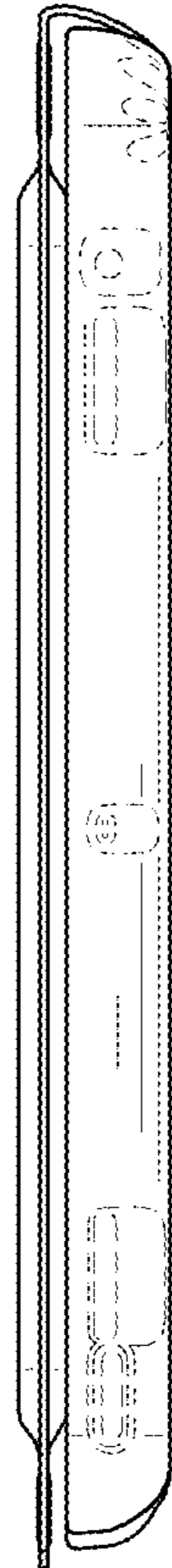


FIG. 4



FIG. 5



FIG. 6



FIG. 7

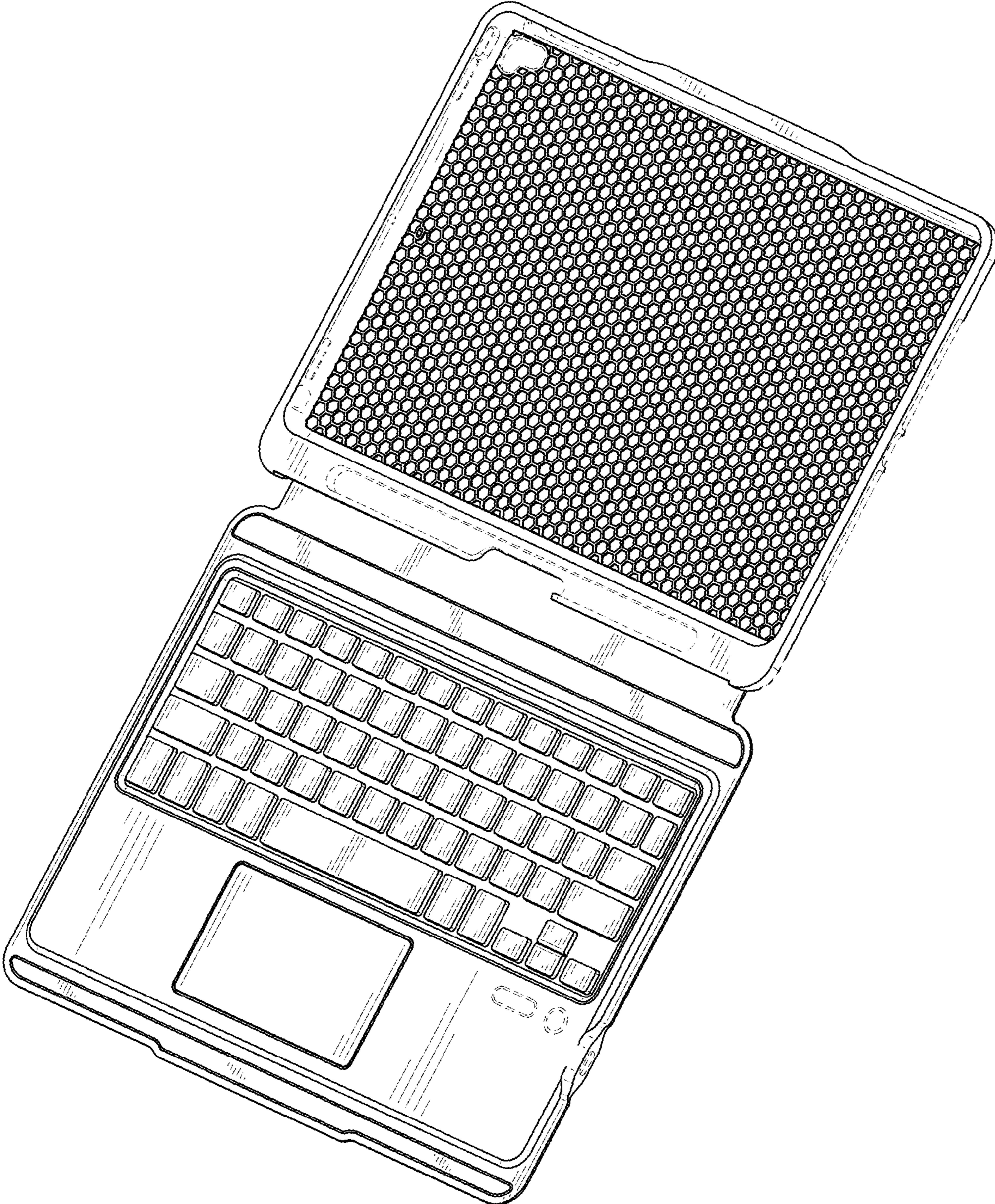


FIG. 8

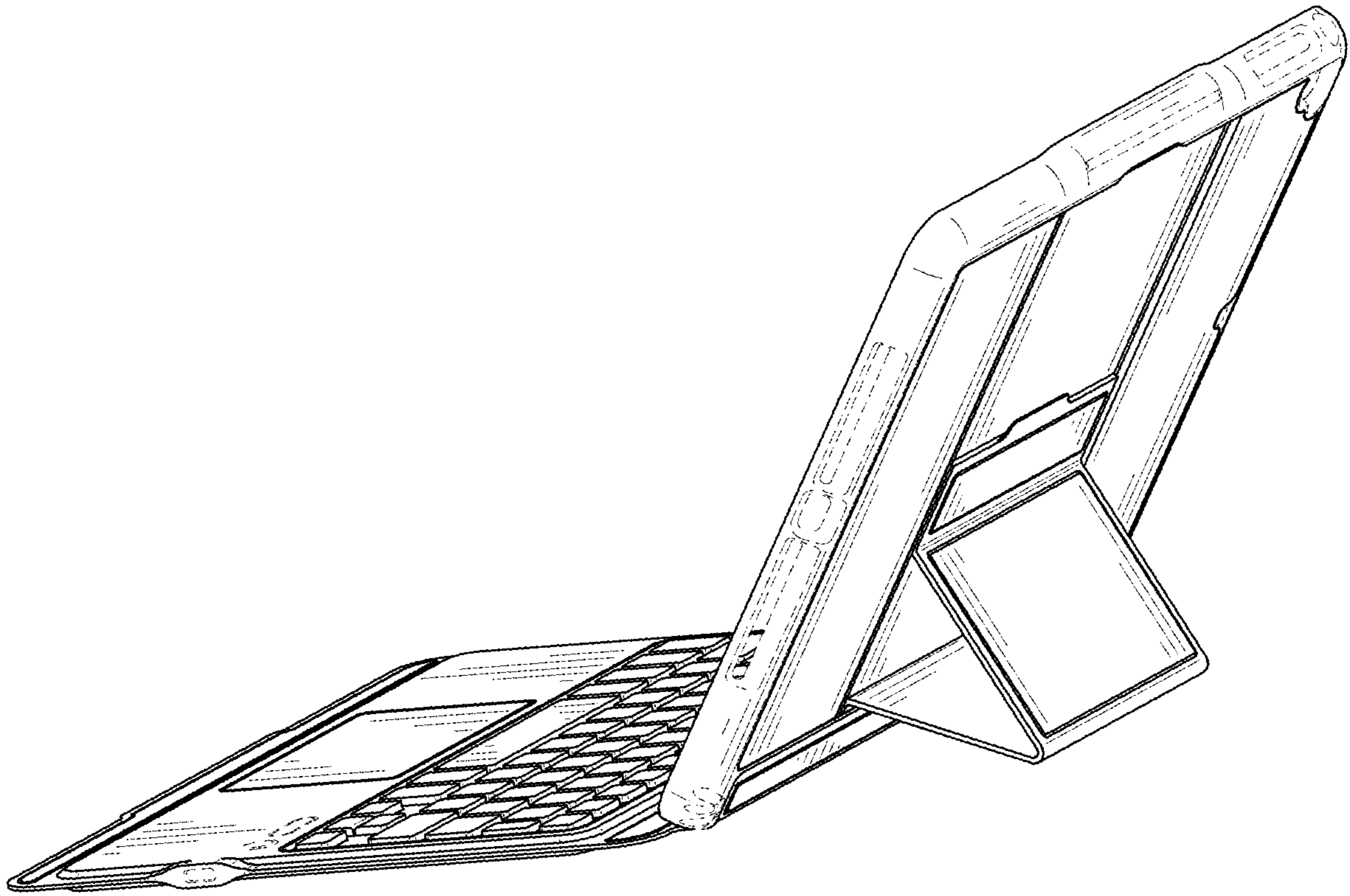


FIG. 9

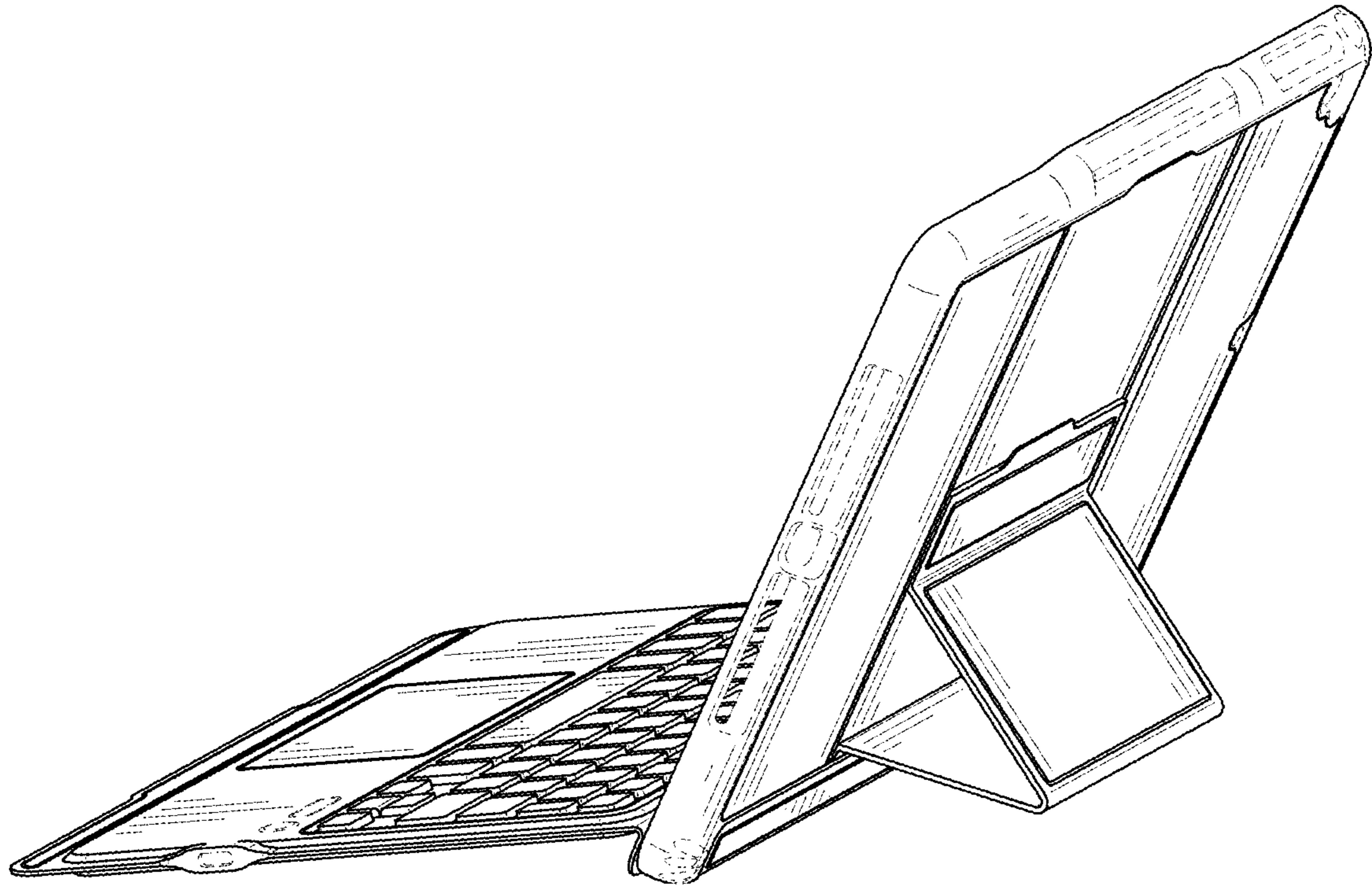


FIG. 10

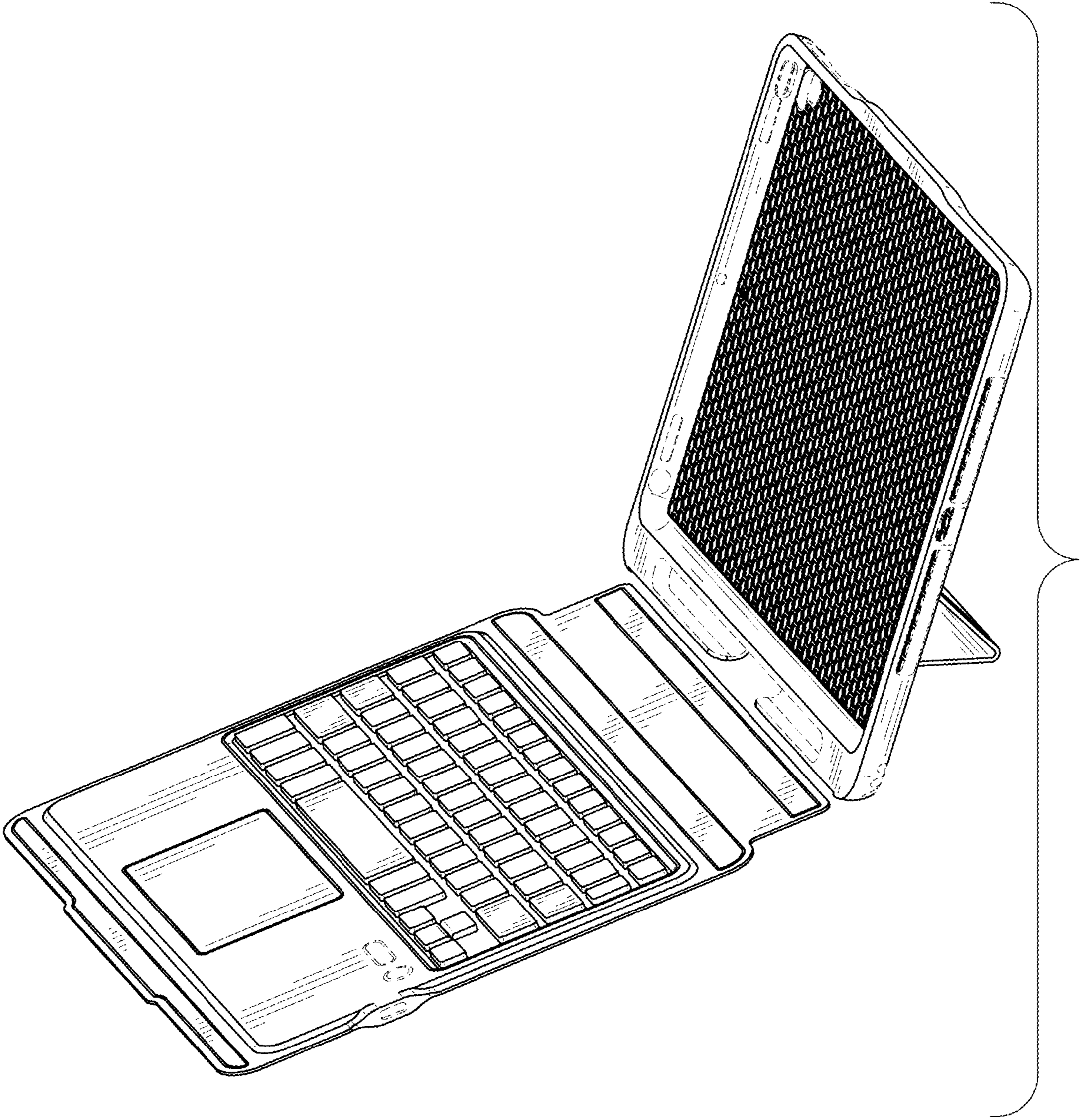


FIG. 11