



US00D923627S

(12) **United States Design Patent** (10) **Patent No.:** **US D923,627 S**  
**Akana et al.** (45) **Date of Patent:** **\*\* \*Jun. 29, 2021**

(54) **DOCK**

(71) Applicant: **Apple Inc.**, Cupertino, CA (US)

(72) Inventors: **Jody Akana**, San Francisco, CA (US); **Bartley K. Andre**, Palo Alto, CA (US); **Shota Aoyagi**, San Francisco, CA (US); **Anthony Michael Ashcroft**, San Francisco, CA (US); **Jeremy Bataillou**, San Francisco, CA (US); **Daniel J. Coster**, San Francisco, CA (US); **Daniele De Iuliis**, San Francisco, CA (US); **M. Evans Hankey**, San Francisco, CA (US); **Julian Hoenig**, San Francisco, CA (US); **Richard P. Howarth**, San Francisco, CA (US); **Jonathan P. Ive**, San Francisco, CA (US); **Duncan Robert Kerr**, San Francisco, CA (US); **Matthew Dean Rohrbach**, San Francisco, CA (US); **Peter Russell-Clarke**, San Francisco, CA (US); **Benjamin Andrew Shaffer**, San Jose, CA (US); **Mikael Silvano**, San Francisco, CA (US); **Christopher J. Stringer**, Woodside, CA (US); **Eugene Antony Whang**, San Francisco, CA (US); **Rico Zörkendörfer**, San Francisco, CA (US)

(73) Assignee: **Apple Inc.**, Cupertino, CA (US)

(\*) Notice: This patent is subject to a terminal disclaimer.

(\*\*) Term: **15 Years**

(21) Appl. No.: **29/745,032**

(22) Filed: **Aug. 3, 2020**

**Related U.S. Application Data**

(63) Continuation of application No. 29/633,341, filed on Jan. 12, 2018, now Pat. No. Des. 892,122, which is a continuation of application No. 29/569,968, filed on

Jul. 1, 2016, now Pat. No. Des. 808,971, which is a continuation of application No. 29/501,654, filed on Sep. 5, 2014, now Pat. No. Des. 760,721.

(51) **LOC (13) Cl.** ..... **14-02**

(52) **U.S. Cl.**  
USPC ..... **D14/434**

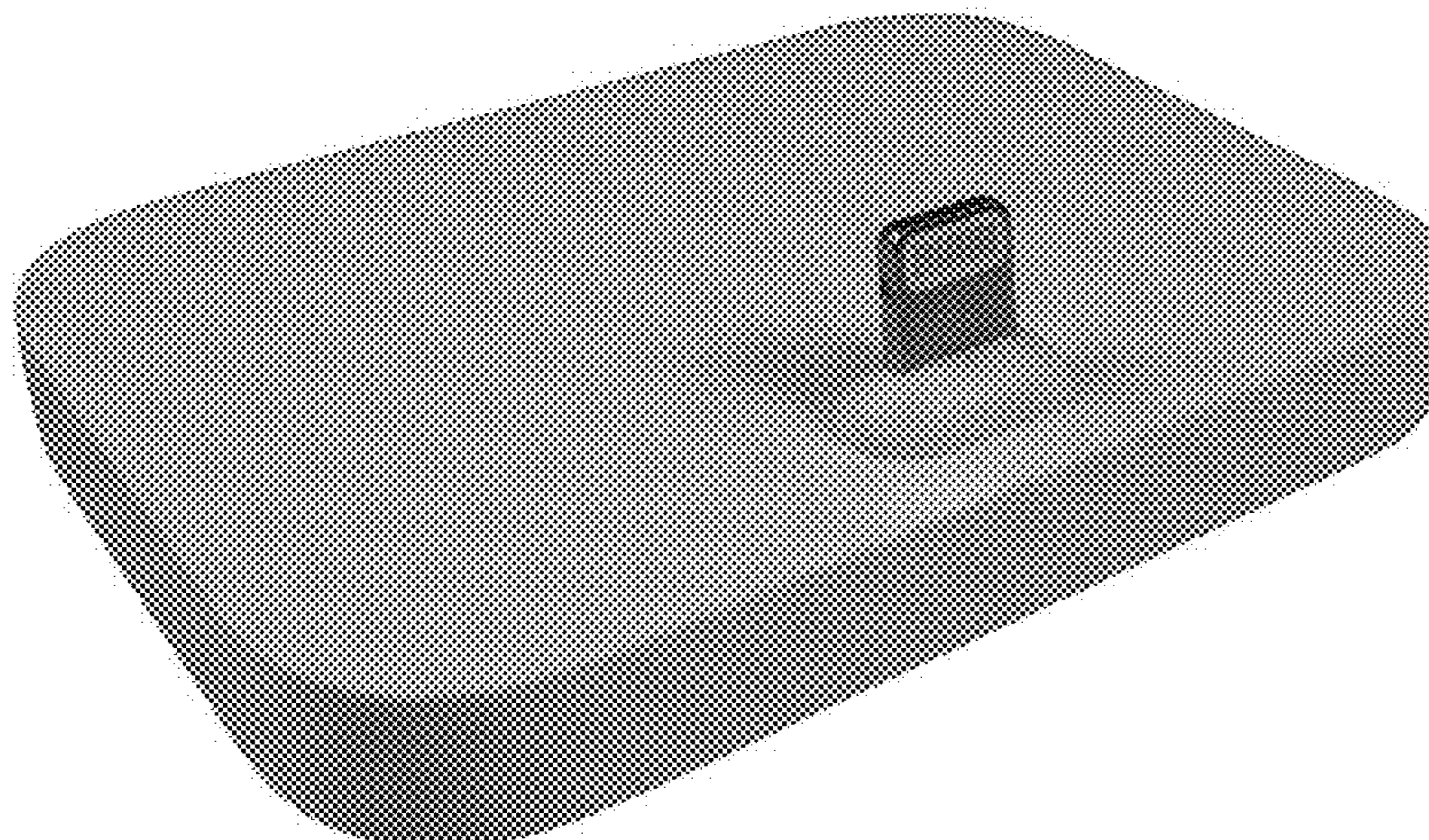
(58) **Field of Classification Search**  
USPC ... D14/432, 433, 434, 435.1, 447, 451, 217, D14/251, 253, 203.8, 209.1; D13/107, D13/133, 137.1, 138.1, 147, 154  
CPC .... G06F 1/1632; H04M 1/04; H01R 13/6315; H01R 13/74; H05K 5/0204; H02J 7/00; H02J 7/02; H02J 7/022

See application file for complete search history.

(56) **References Cited**

**U.S. PATENT DOCUMENTS**

D288,555 S	3/1987	Gemmell	
D374,858 S	10/1996	Chu	
D385,530 S	10/1997	Hames et al.	
D397,996 S	9/1998	Smith	
5,952,814 A	9/1999	Van Lerberghe	
D442,939 S	5/2001	Goldenburg	
6,307,348 B1	10/2001	Green	
D495,336 S	8/2004	Andre et al.	
D503,679 S	4/2005	Andre et al.	
6,898,080 B2	5/2005	Yin et al.	
D521,001 S *	5/2006	Xiao	D14/356
D525,616 S	7/2006	Andre et al.	
7,075,579 B2	7/2006	Whitby et al.	
D526,648 S	8/2006	Andre et al.	
D537,807 S *	3/2007	Griffin	D14/155
D542,288 S	5/2007	Andre et al.	
D554,107 S	10/2007	Calco et al.	
D558,738 S	1/2008	Andre et al.	
D558,739 S	1/2008	Andre et al.	
D567,800 S	4/2008	Andre et al.	
D568,874 S	5/2008	Andre et al.	
D575,275 S	8/2008	Andre et al.	
D578,512 S	10/2008	Andre et al.	
D579,917 S	11/2008	Marchand et al.	
D584,731 S *	1/2009	Montgomery	D14/434
D585,898 S	2/2009	Skurdal	
D590,770 S	4/2009	Moss	
D595,265 S	6/2009	Andre et al.	
D597,079 S	7/2009	Andre et al.	
7,580,255 B2	8/2009	Crooijmans et al.	



D599,783 S 9/2009 Andre et al.  
D606,518 S 12/2009 Andre et al.  
D607,879 S 1/2010 Ferber et al.  
D608,352 S 1/2010 Andre et al.  
D612,809 S 3/2010 Zhao et al.  
7,719,830 B2 5/2010 Howarth et al.  
D618,240 S 6/2010 Larmour et al.  
D626,940 S 11/2010 Andre et al.  
D628,562 S 12/2010 Akana et al.  
D631,468 S 1/2011 Akana et al.  
D647,080 S 10/2011 Akana et al.  
D647,908 S 11/2011 Chen et al.  
D648,325 S 11/2011 Akana et al.  
D648,707 S 11/2011 Akana et al.  
D648,725 S 11/2011 Akana et al.  
D657,362 S 4/2012 Lister et al.  
D660,794 S 5/2012 Fahrenedorff et al.  
D662,471 S 6/2012 Fahrenedorff et al.  
D662,491 S 6/2012 Andre et al.  
D665,754 S 8/2012 Cobbett et al.  
D667,411 S 9/2012 Kim  
D671,898 S 12/2012 Andre et al.  
D674,392 S \* 1/2013 Cheng ..... D14/434  
D680,541 S 4/2013 Lee et al.  
D682,835 S 5/2013 Daniel  
D684,539 S 6/2013 Akana et al.  
D684,976 S 6/2013 Akana et al.  
D687,437 S 8/2013 Hagenauer  
D689,484 S \* 9/2013 Kuo ..... D14/358  
D690,286 S 9/2013 Petersen  
D699,188 S 2/2014 Akana et al.  
D703,145 S 4/2014 Akana et al.  
D707,680 S 6/2014 Akana et al.  
D713,350 S 9/2014 Akana et al.  
D713,351 S 9/2014 Akana et al.  
D713,352 S 9/2014 Akana et al.  
D713,399 S 9/2014 Green  
D713,796 S 9/2014 Akana et al.  
D716,234 S 10/2014 Tien  
8,905,793 B2 12/2014 Golko et al.  
D725,646 S 3/2015 Minn et al.  
D731,434 S 6/2015 Akana et al.  
D733,658 S 7/2015 Yang et al.  
D736,210 S \* 8/2015 Paradise ..... D14/434  
D744,428 S 12/2015 Rodriguez et al.  
D745,464 S 12/2015 Koenig  
D748,581 S 2/2016 Chen  
D751,560 S 3/2016 Akana et al.  
D751,991 S 3/2016 Akana et al.  
D755,724 S 5/2016 Akana et al.  
D757,649 S 5/2016 Pisharodi  
D758,316 S 6/2016 Graham  
D760,657 S 7/2016 Hung  
D760,721 S 7/2016 Akana et al.  
D762,178 S 7/2016 Liu et al.  
D765,600 S 9/2016 Hoshikawa  
D765,601 S 9/2016 Palmer  
D769,877 S 10/2016 Akana et al.  
9,466,927 B2 10/2016 Ardisana, II et al.  
D770,456 S 11/2016 Akana et al.  
D772,216 S 11/2016 Lau  
D772,879 S 11/2016 Eliyahu  
D776,058 S 1/2017 Blum et al.  
D779,432 S 2/2017 Wong et al.  
D779,433 S 2/2017 Fries et al.  
D789,300 S 6/2017 Perez et al.  
D791,072 S 7/2017 Hoehn  
D791,699 S 7/2017 Watanabe  
D793,397 S 8/2017 Eliyahu  
D793,958 S \* 8/2017 Rautiainen ..... D13/108  
D795,876 S 8/2017 Fletcher et al.  
D796,433 S \* 9/2017 Langhammer ..... D13/108  
D797,666 S \* 9/2017 Zhao ..... D13/108  
D797,751 S 9/2017 Houston et al.  
D798,808 S 10/2017 Ptok et al.  
D801,340 S 10/2017 Kim  
9,778,690 B2 10/2017 Ardisana, II et al.  
D801,975 S 11/2017 Qin  
D808,971 S 1/2018 Akana et al.

D810,678 S 2/2018 Choi et al.  
D811,343 S 2/2018 Lau et al.  
D813,803 S 3/2018 Massar  
D813,805 S 3/2018 Zhong  
D813,820 S 3/2018 Akana et al.  
D815,598 S 4/2018 Koenig  
D816,606 S 5/2018 Georgiades  
D824,379 S 7/2018 Symons  
D827,568 S 9/2018 Turksu et al.  
D834,023 S 11/2018 Yang et al.  
D835,033 S 12/2018 Sorias  
D835,079 S 12/2018 Yun  
D835,611 S 12/2018 Yun  
D838,669 S \* 1/2019 Miller ..... D13/108  
D839,824 S 2/2019 Parra et al.  
D841,595 S 2/2019 Akana et al.  
D841,652 S 2/2019 Akana et al.  
D844,009 S 3/2019 Kim et al.  
D846,502 S 4/2019 Akana et al.  
D848,408 S 5/2019 Akana et al.  
D851,090 S 6/2019 Tak et al.  
D855,570 S 8/2019 Vladimirovich et al.  
D858,530 S 9/2019 Liao  
D861,598 S 10/2019 Xiao  
D868,742 S 12/2019 Cao  
D874,452 S 2/2020 Chen  
D896,226 S \* 9/2020 Yu ..... D14/434  
2007/0047198 A1 3/2007 Crooijmans et al.  
2008/0219488 A1 9/2008 Crooijmans et al.  
2009/0009957 A1 1/2009 Crooijmans et al.  
2014/0073170 A1 3/2014 Golko et al.  
2014/0097793 A1 4/2014 Wurtz et al.  
2019/0067966 A1\* 2/2019 Zhang ..... H02J 7/022

FOREIGN PATENT DOCUMENTS

EM	002183608-0001	2/2013
KR	30-0598013	5/2011
TW	D158571	1/2014

OTHER PUBLICATIONS

Chargers. (Design—© Questel) orbit.com. [online PDF] 6 pgs., retrieved Mar. 24, 2020 <<https://www.orbit.com/export/QPTUJ214/pdf2/0d90639f-bc9a-4b6d-92eb-1eac84b8c995-152150.pdf>>.  
Docking station. (Design—© Questel) orbit.com. [online PDF] 4 pgs., retrieved Jan. 28, 2020 <<https://sobjprd.questel.fr/export/QPTUJ214/pdf2/df2ec91f-3b13-47c3-8756-6582b39ac4a0-225249.pdf>>.

\* cited by examiner

*Primary Examiner* — Marie D. Fast Horse  
(74) *Attorney, Agent, or Firm* — Sterne, Kessler, Goldstein & Fox P.L.L.C.

(57) **CLAIM**

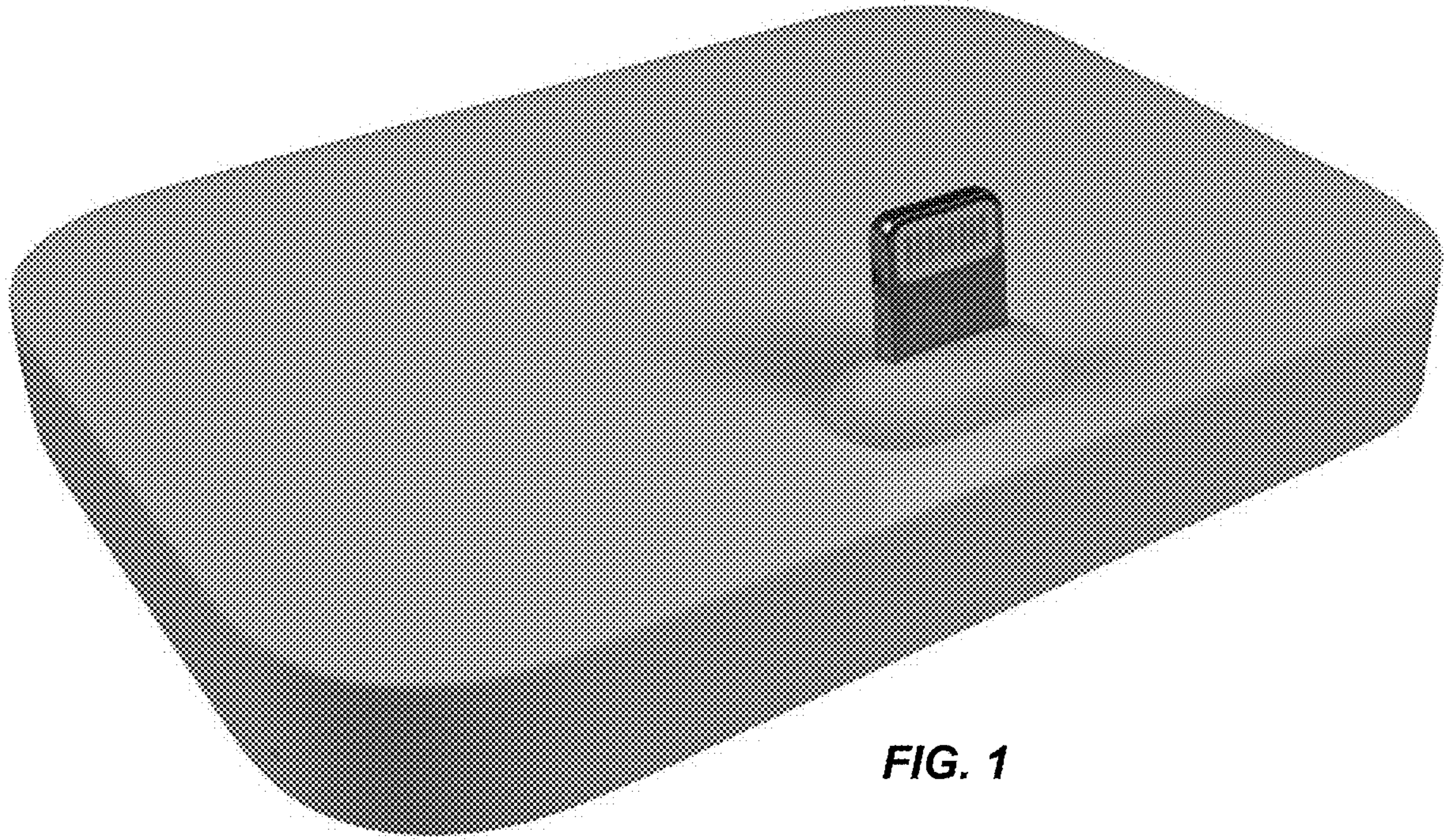
The ornamental design for a dock, as shown.

**DESCRIPTION**

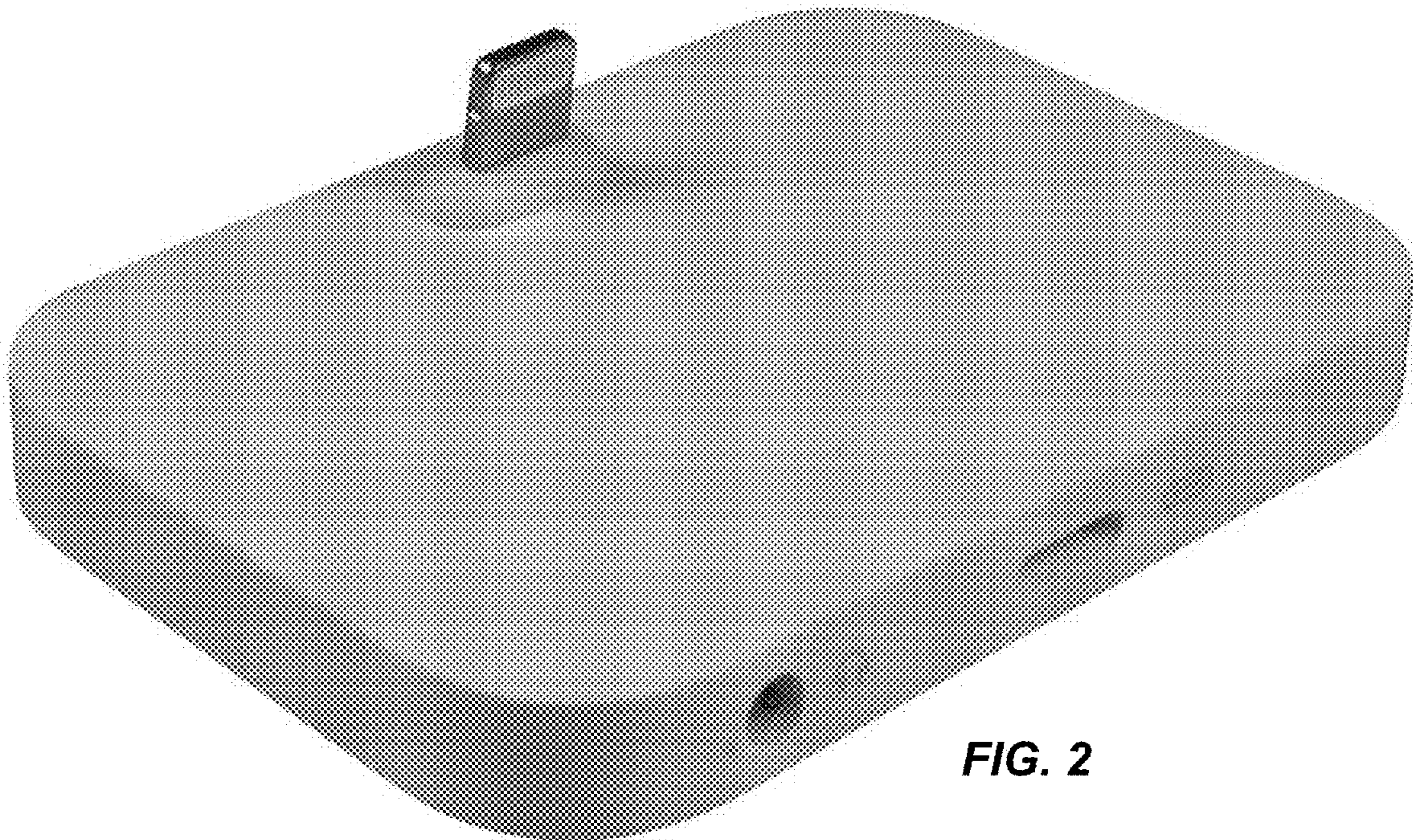
The file of this patent contains at least one drawing/photograph executed in color. Copies of this patent with color drawing(s)/photograph(s) will be provided by the Office upon request and payment of the necessary fee.  
FIG. 1 is a front perspective view of a dock showing the claimed design;  
FIG. 2 is a rear perspective view thereof;  
FIG. 3 is front view thereof;  
FIG. 4 is a rear view thereof;  
FIG. 5 is a left side view thereof;  
FIG. 6 is a right side view thereof;

FIG. 7 is a top view thereof; and,  
FIG. 8 is a bottom view thereof.

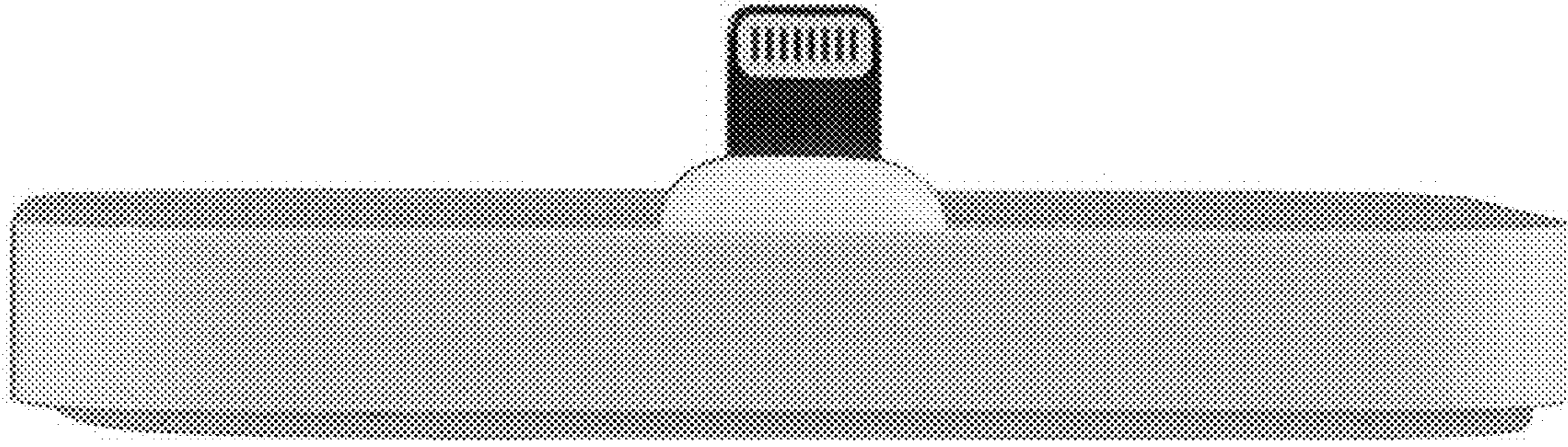
**1 Claim, 4 Drawing Sheets**  
**(4 of 4 Drawing Sheet(s) Filed in Color)**



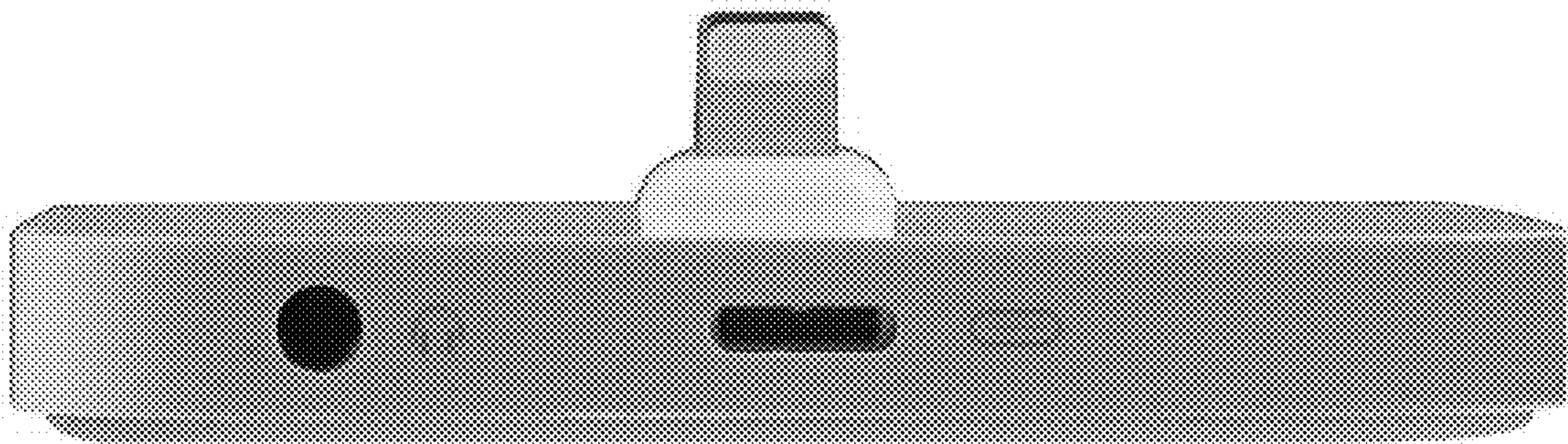
**FIG. 1**



**FIG. 2**



**FIG. 3**



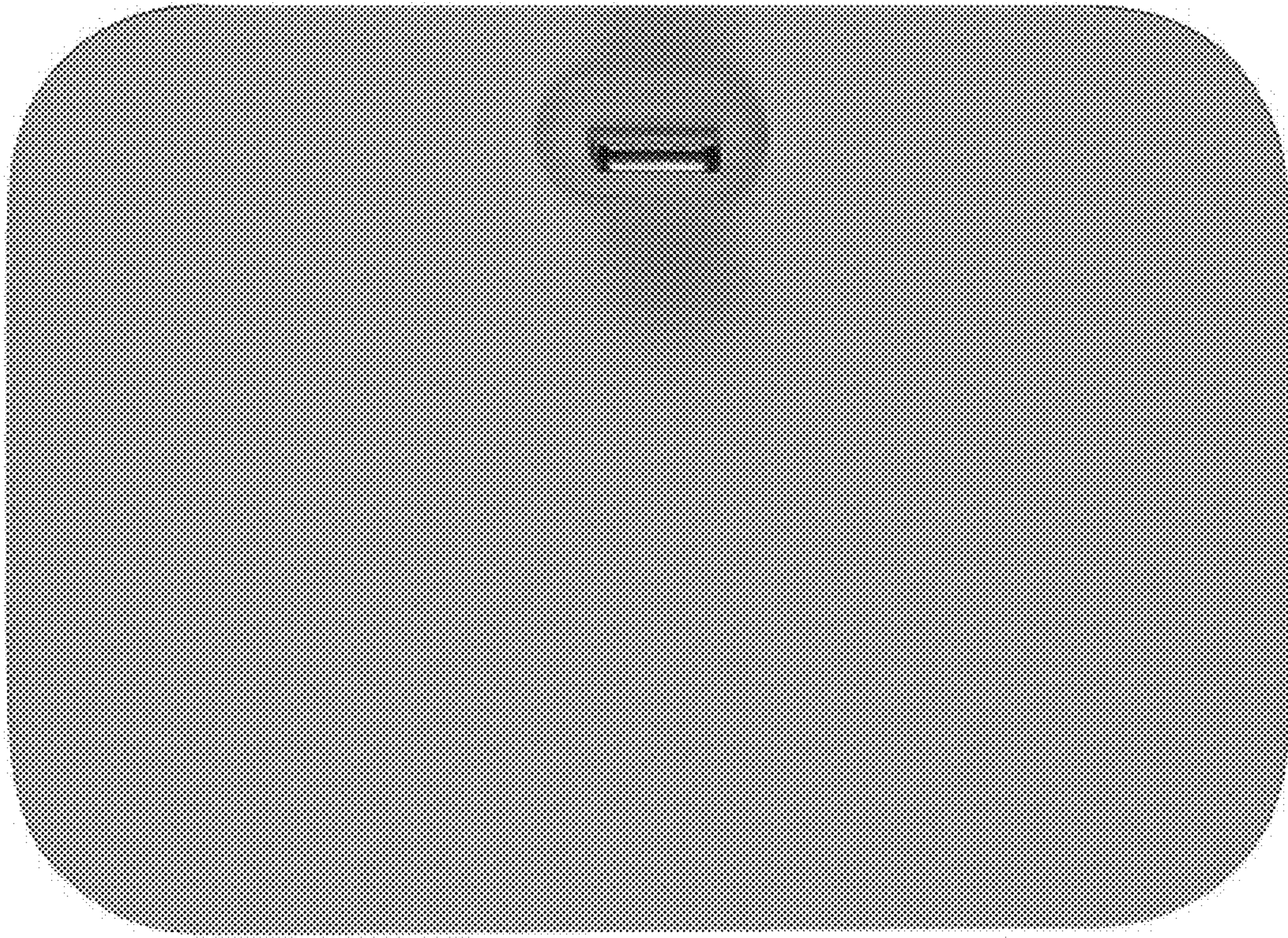
**FIG. 4**



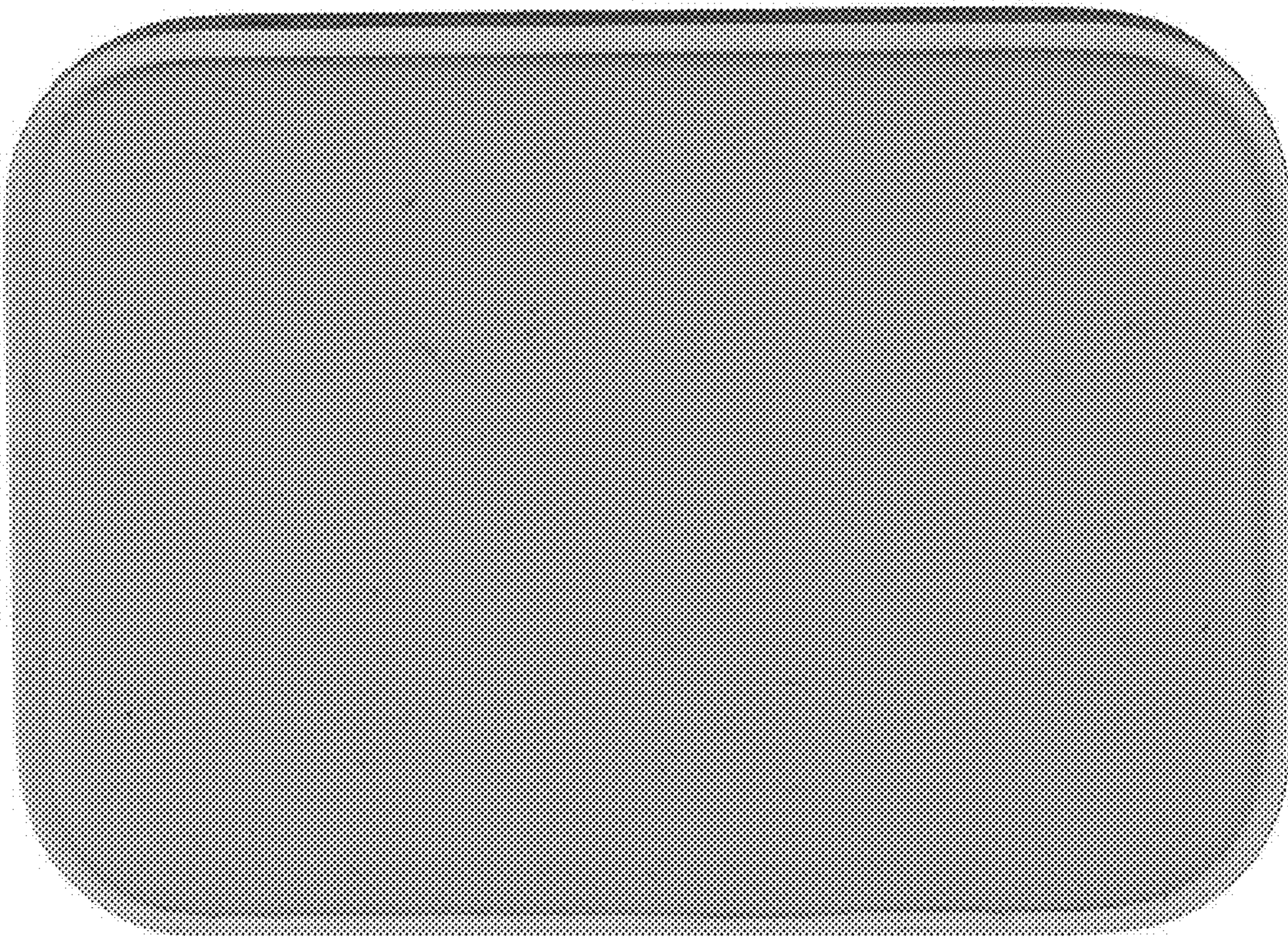
**FIG. 5**



**FIG. 6**



**FIG. 7**



**FIG. 8**