



US00D923626S

(12) **United States Design Patent** (10) **Patent No.:** **US D923,626 S**
Zhang et al. (45) **Date of Patent:** **** Jun. 29, 2021**

(54) **MULTI-FUNCTION CONVERTER**
(71) Applicant: **UGREEN GROUP LIMITED**,
Shenzhen (CN)
(72) Inventors: **Qingsen Zhang**, Shenzhen (CN);
Junling Chen, Shenzhen (CN); **Tuo**
Zhu, Shenzhen (CN)
(**) Term: **15 Years**
(21) Appl. No.: **29/700,406**
(22) Filed: **Aug. 2, 2019**
(51) **LOC (13) Cl.** **14-02**
(52) **U.S. Cl.**
USPC **D14/433; D14/434; D14/457**
(58) **Field of Classification Search**
USPC ... D14/434, 432, 433, 435, 435.1, 356, 357,
D14/358, 251-253, 217, 299, 496, 169;
D13/103, 107, 108, 184, 110, 123, 133,
D13/135, 179; D21/324, 332, 333
CPC G06F 1/16; G06F 1/1632; G06F 1/266;
G06F 13/00; G06F 13/38; G06F 13/382;
G06F 13/385; G06F 13/387; G06F 3/065;
G06F 9/541; G06F 2213/3814; G06F
2213/40; G06F 2213/4004
See application file for complete search history.

D864,209 S * 10/2019 Wang D14/434
D865,676 S * 11/2019 Liao D13/147
D879,779 S * 3/2020 Liao D14/433
D880,481 S * 4/2020 Liao D14/433
D885,339 S * 5/2020 Duan D13/110
D886,825 S * 6/2020 Zhang D14/433
D889,469 S * 7/2020 Zhang D14/433
(Continued)

FOREIGN PATENT DOCUMENTS

EM 006630778-0005 * 7/2019
Primary Examiner — Marie D. Fast Horse

(57) **CLAIM**

The ornamental design for a multi-function converter, as shown and described.

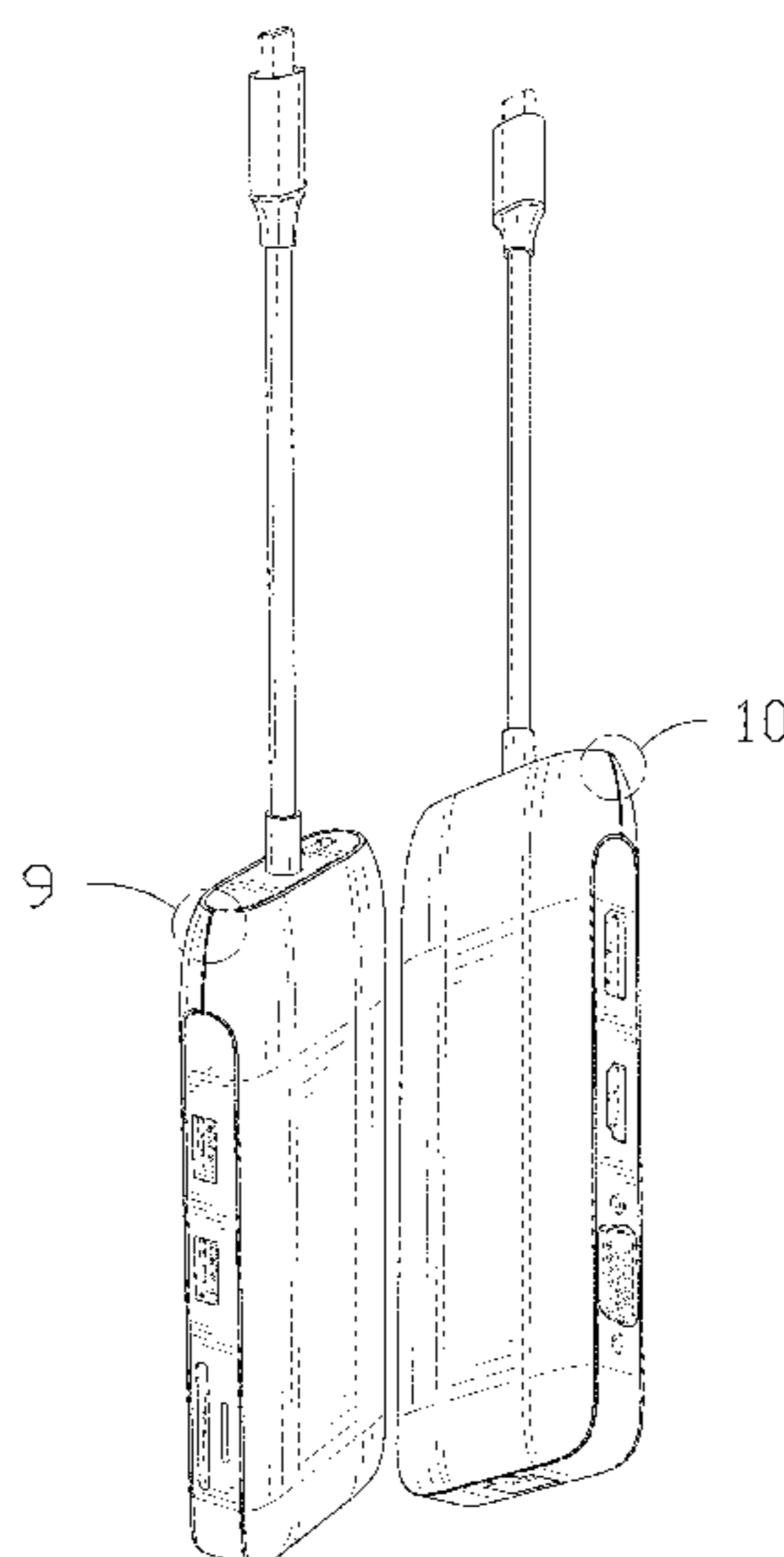
DESCRIPTION

FIG. 1 is a left side perspective view of a multi-function converter showing our new design;
FIG. 2 is a right side perspective view thereof;
FIG. 3 is a front view thereof;
FIG. 4 is a back view thereof;
FIG. 5 is a left side view thereof;
FIG. 6 is a right side view thereof;
FIG. 7 is a top view thereof;
FIG. 8 is a bottom view thereof;
FIG. 9 is an enlarged view of a portion of the multi-function converter indicated in FIG. 1;
FIG. 10 is an enlarged view of a portion of the multi-function converter indicated in FIG. 2; and,
FIG. 11 is an enlarged view of a portion of the multi-function converter indicated in FIG. 5.
The broken lines in the figures depict portions of the multi-function converter that form no part of the claimed design.
The broken lines consisting of a long dash and a short dash depict reference to the enlargements shown in the figures and form no part of the claim.

1 Claim, 11 Drawing Sheets

(56) **References Cited**
U.S. PATENT DOCUMENTS

D788,112 S * 5/2017 Liao D14/433
D798,811 S * 10/2017 Liao D13/110
D828,839 S * 9/2018 Zhang D14/433
D828,840 S * 9/2018 Zhang D14/433
D828,841 S * 9/2018 Zhang D14/433
D838,241 S * 1/2019 Xie D14/434
D847,139 S * 4/2019 Wang D14/433
D853,396 S * 7/2019 Kong D14/434
D854,020 S * 7/2019 Liao D14/434
D856,278 S * 8/2019 Turksu D13/108
D862,385 S * 10/2019 Turksu D13/108



(56)

References Cited

U.S. PATENT DOCUMENTS

| | | | | | | |
|----------|---|---|---------|--------|-------|---------|
| D889,470 | S | * | 7/2020 | Zhang | | D14/433 |
| D892,801 | S | * | 8/2020 | Liu | | D14/434 |
| D893,488 | S | * | 8/2020 | Liu | | D14/433 |
| D894,190 | S | * | 8/2020 | Zhang | | D14/433 |
| D894,828 | S | * | 9/2020 | Chen | | D13/108 |
| D896,220 | S | * | 9/2020 | Wu | | D14/357 |
| D896,814 | S | * | 9/2020 | Zhang | | D14/433 |
| D900,107 | S | * | 10/2020 | Wu | | D14/433 |
| D900,108 | S | * | 10/2020 | Wu | | D14/433 |
| D900,109 | S | * | 10/2020 | Wu | | D14/433 |
| D900,824 | S | * | 11/2020 | Wu | | D14/433 |
| D902,211 | S | * | 11/2020 | Jiang | | D14/433 |
| D903,683 | S | * | 12/2020 | Zhang | | D14/433 |
| D905,063 | S | * | 12/2020 | Liu | | D14/434 |
| D908,127 | S | * | 1/2021 | Wu | | D14/433 |
| D909,385 | S | * | 2/2021 | Kong | | D14/433 |
| D911,346 | S | * | 2/2021 | Turksu | | D14/433 |
| D912,056 | S | * | 3/2021 | Liao | | D14/433 |
| D916,093 | S | * | 4/2021 | Liao | | D14/433 |
| D916,094 | S | * | 4/2021 | Liao | | D14/433 |
| D916,705 | S | * | 4/2021 | Liao | | D14/433 |

* cited by examiner

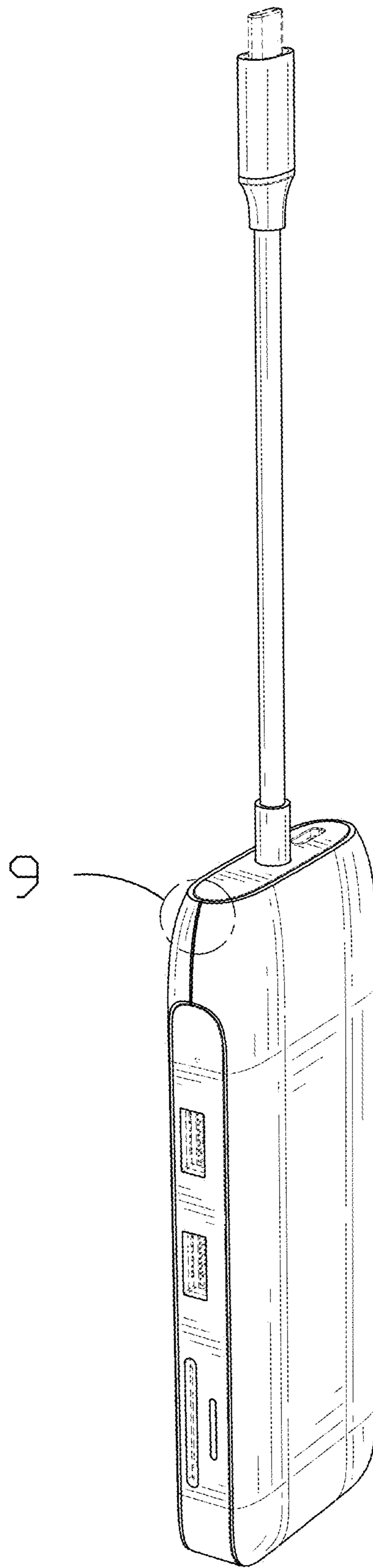


FIG. 1

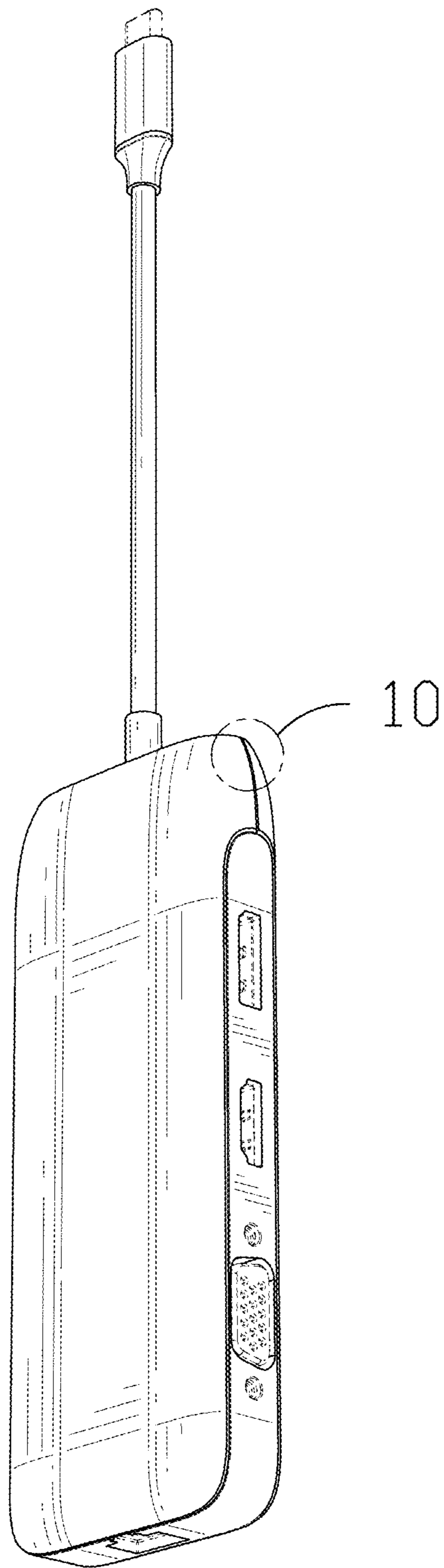


FIG. 2

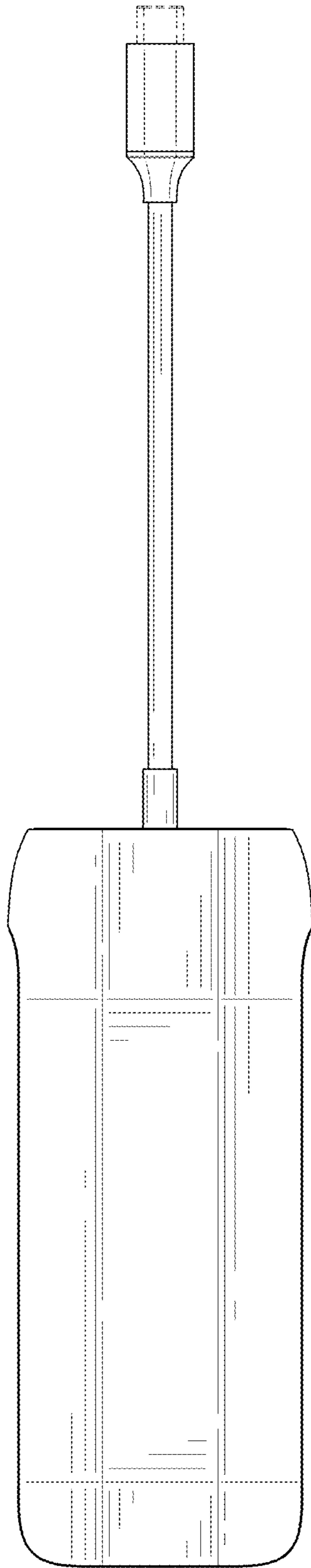


FIG. 3

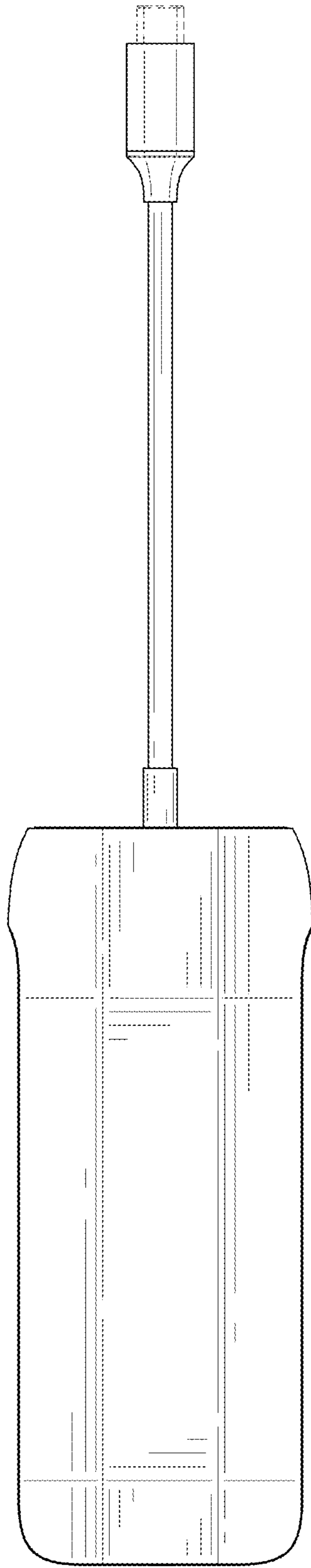


FIG. 4

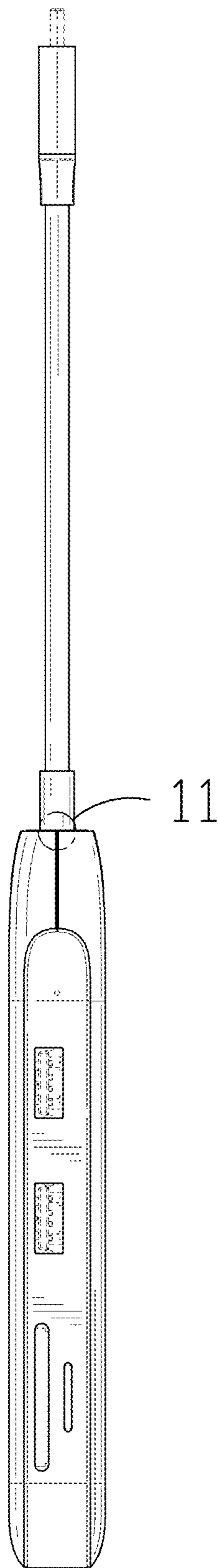


FIG. 5

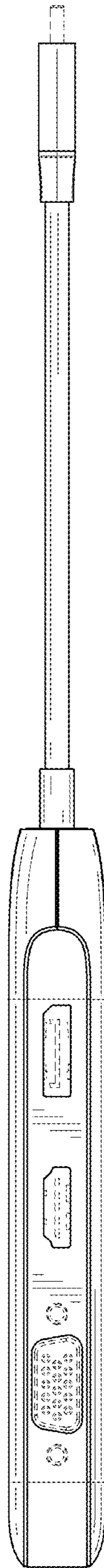


FIG. 6

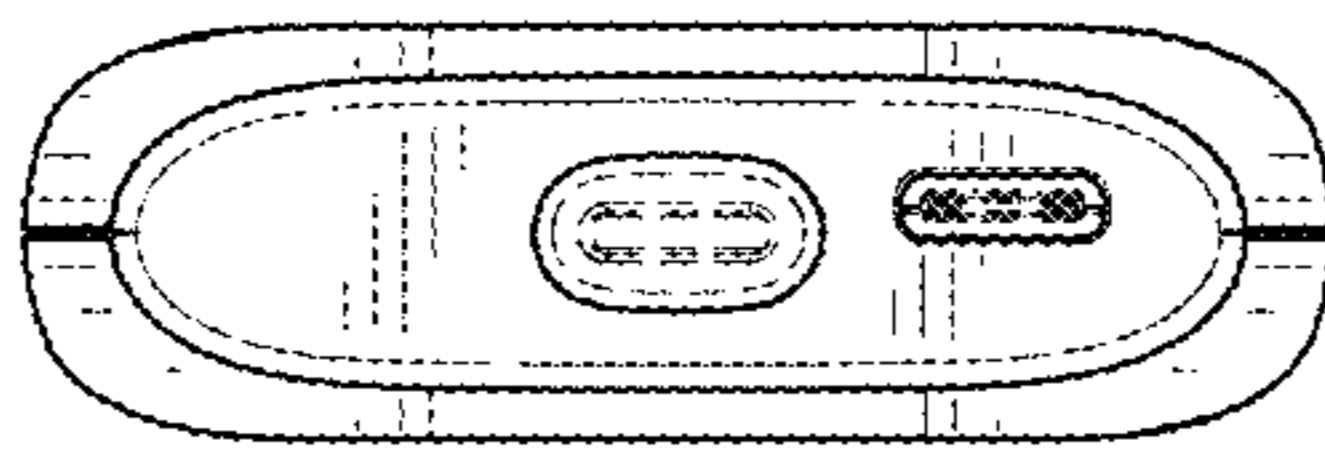


FIG. 7

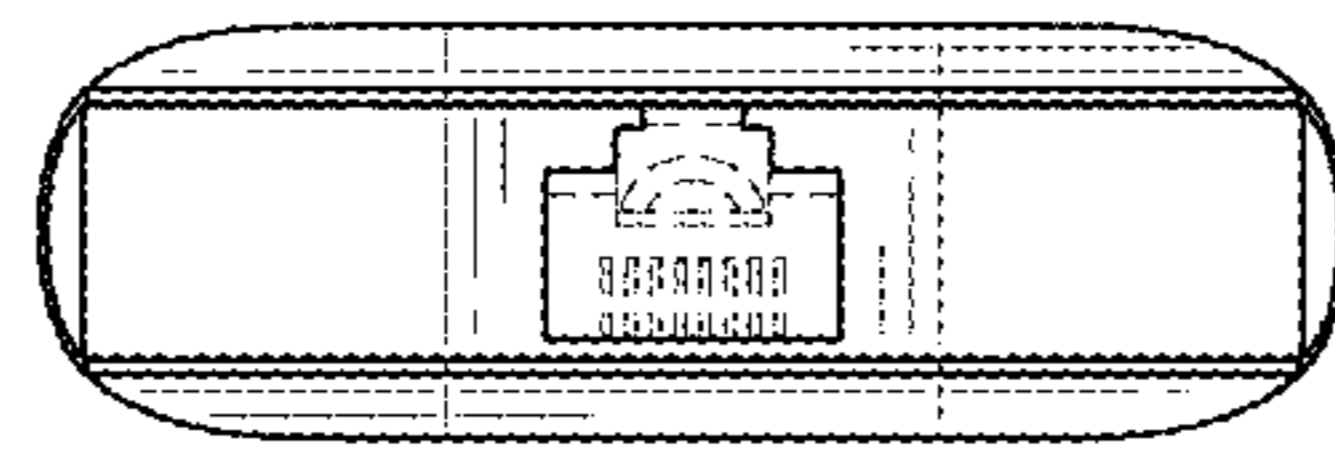


FIG. 8

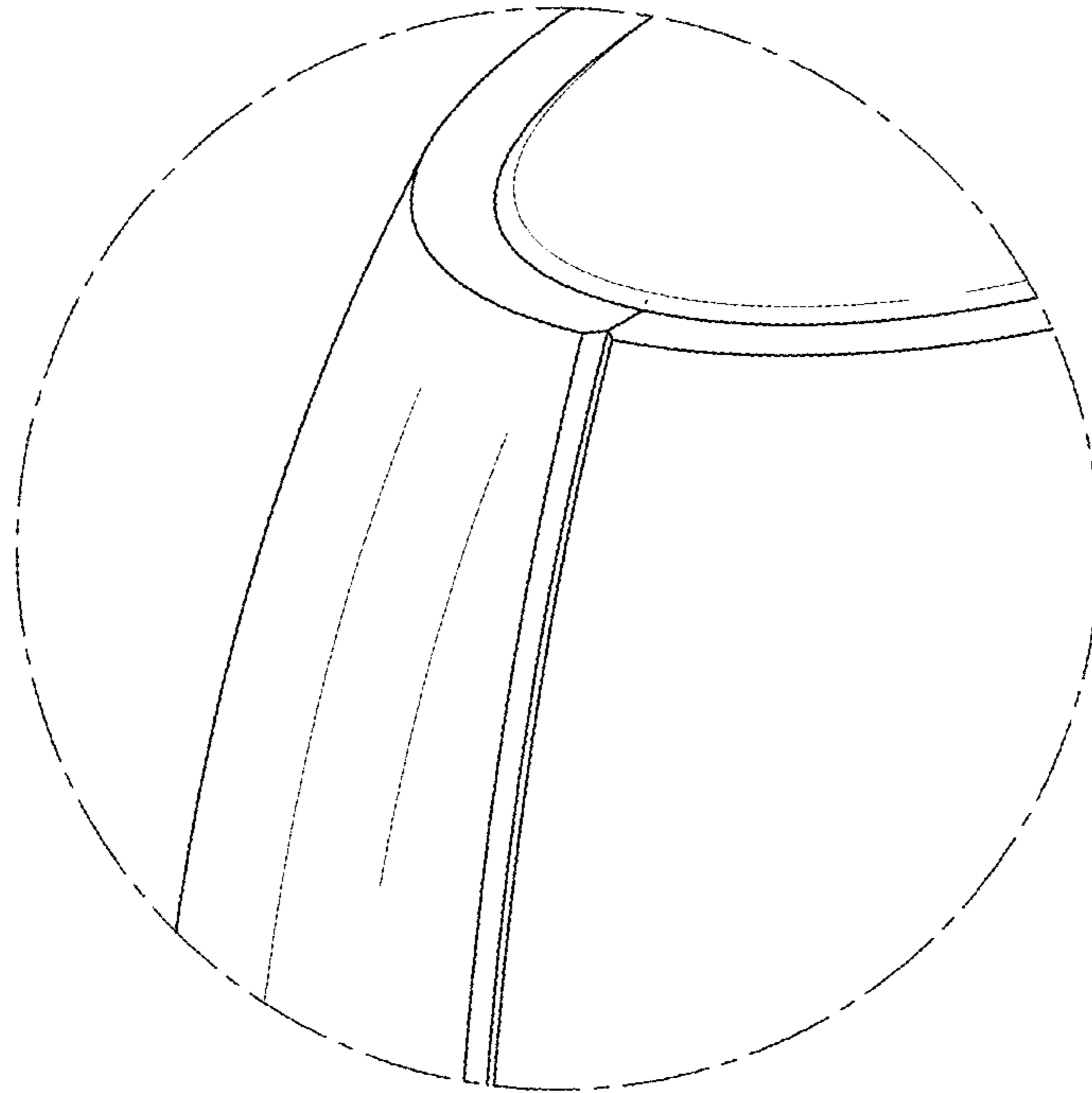


FIG. 9

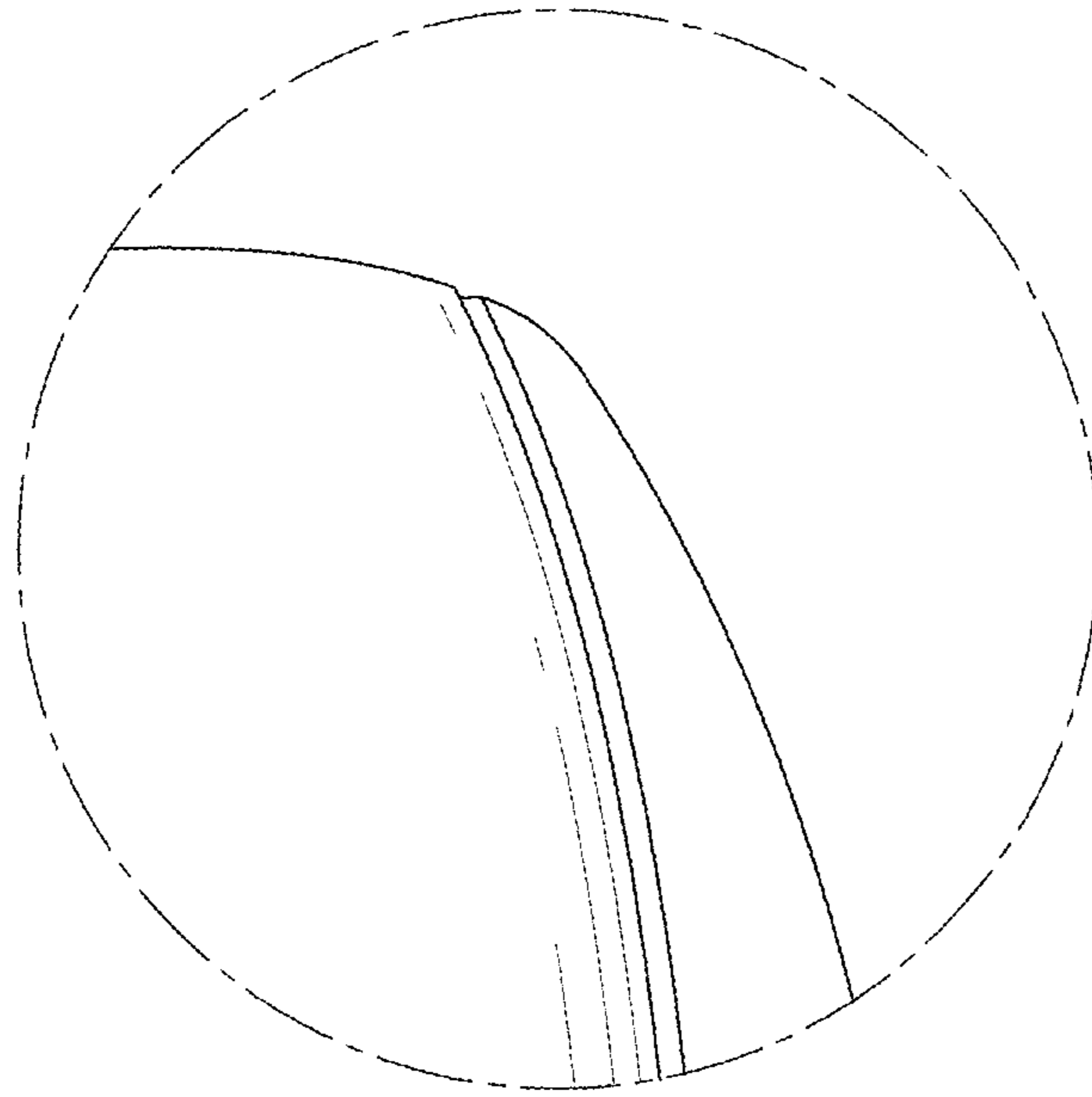


FIG. 10

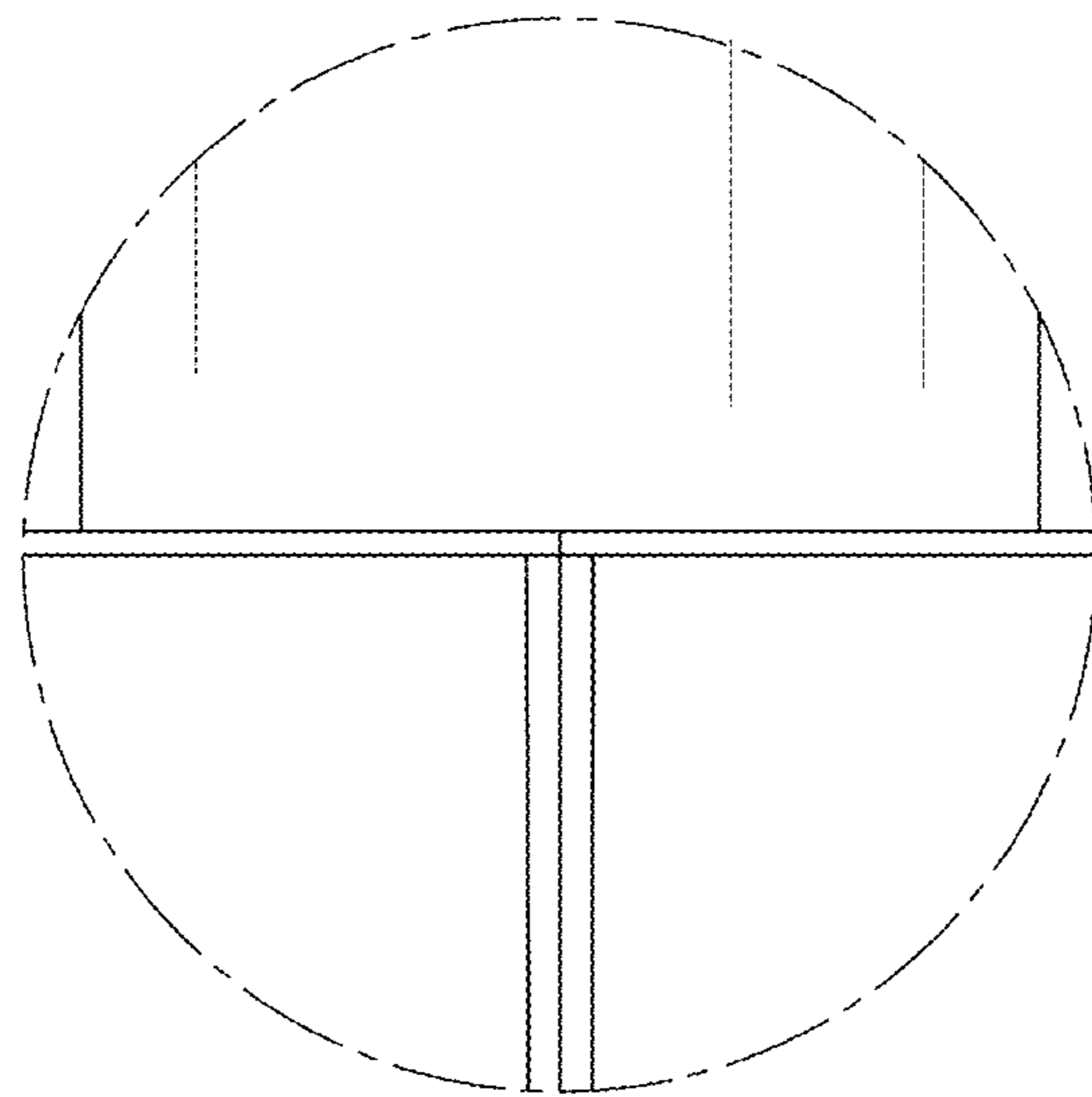


FIG. 11