



US00D923625S

(12) **United States Design Patent** (10) **Patent No.:** **US D923,625 S**  
**Siminoff et al.** (45) **Date of Patent:** **\*\* Jun. 29, 2021**

(54) **KEYPAD**

- (71) Applicant: **Amazon Technologies, Inc.**, Seattle, WA (US)
- (72) Inventors: **James Siminoff**, Pacific Palisades, CA (US); **Mark D. Siminoff**, Mountain View, CA (US); **Wen-Yo Lu**, Pasadena, CA (US); **Christopher Loew**, Palo Alto, CA (US); **Jia Li**, Nutley, NJ (US); **Wei-Chung Wang**, New Taipei (TW); **Gregory Berlin**, Spring City, PA (US); **Andrew Louis Russell**, Havertown, PA (US); **Curtis Rowe**, Phoenixville, WA (US)
- (73) Assignee: **Amazon Technologies, Inc.**, Seattle, WA (US)
- (\*\*) Term: **15 Years**
- (21) Appl. No.: **29/714,031**
- (22) Filed: **Nov. 20, 2019**
- (51) **LOC (13) Cl.** ..... **14-02**
- (52) **U.S. Cl.**  
USPC ..... **D14/399**; D10/106.95
- (58) **Field of Classification Search**  
USPC ..... D14/388, 389, 390, 391, 392, 396, 397, D14/398, 399, 400, 401, 320, 331, 333, D14/334, 338, 339, 341, 346, 356, 347, D14/379, 380, 384, 218, 455, 383, 387; D18/6, 7, 8, 12, 12.1, 12.2, 24, 29, 57; D21/324-333, 517, 512; D99/43, 99; D13/162, 162.1, 164, 168, 184, 123; D10/46, 75, 104.1, 106.1, 106.3, 106.9, D10/106.95  
CPC .. G06F 15/0225; G06F 1/1669; G06F 1/1671; G06F 3/016; G08B 13/00; G08B 13/02; G08C 17/00; G08C 17/02; H04B 1/202  
See application file for complete search history.

(56) **References Cited**

U.S. PATENT DOCUMENTS

- D205,493 S \* 8/1966 Vogt ..... D20/10  
D241,323 S \* 9/1976 Sparks ..... D10/106.1  
D246,034 S \* 10/1977 Sparks ..... D10/106.1  
D327,856 S \* 7/1992 Loew ..... D10/106.95  
D361,731 S \* 8/1995 Stegar ..... D10/106.1  
D389,762 S \* 1/1998 Yorkey ..... D10/104.1

(Continued)

OTHER PUBLICATIONS

RE652-Pinpad\_47-0007-08\_RevC\_Web. (online) 2 pgs. Revised Mar. 2, 2018 [Retrieved Feb. 23, 2021] [https://alula.net/wp-content/uploads/2019/11/RE652-Pinpad\\_47-0007-08\\_RevC\\_Web.pdf](https://alula.net/wp-content/uploads/2019/11/RE652-Pinpad_47-0007-08_RevC_Web.pdf)\*

(Continued)

*Primary Examiner* — Marie D. Fast Horse

(74) *Attorney, Agent, or Firm* — Lee & Hayes, P.C.

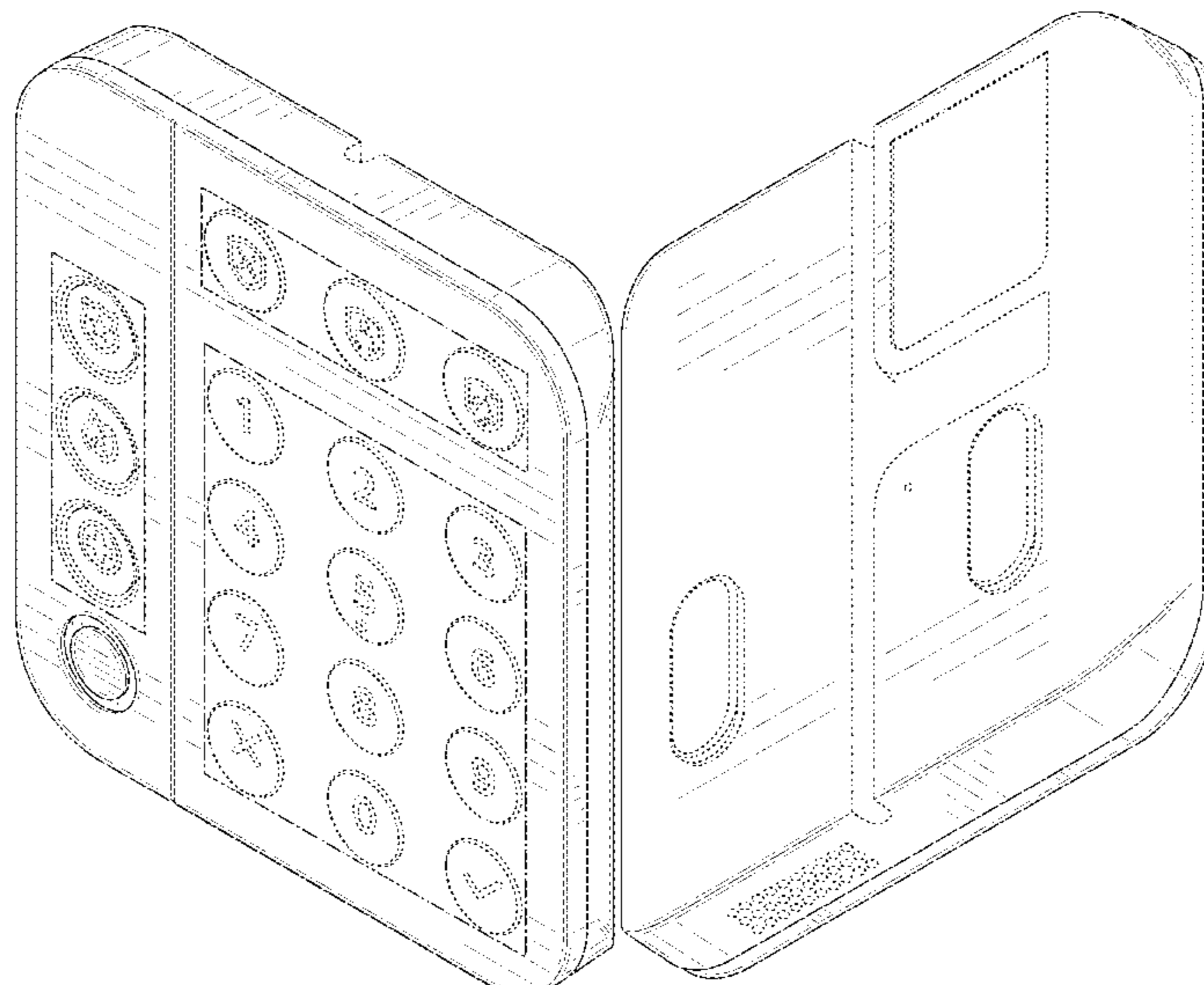
(57) **CLAIM**

The ornamental design for a keypad, as shown and described.

**DESCRIPTION**

FIG. 1 is a top, front, right-side perspective view of a keypad;  
FIG. 2 is a bottom, back, left-side perspective view thereof;  
FIG. 3 is a front view thereof;  
FIG. 4 is a back view thereof;  
FIG. 5 is a left-side view thereof;  
FIG. 6 is a right-side view thereof;  
FIG. 7 is a top view thereof; and,  
FIG. 8 is a bottom view thereof.  
The dashed broken lines depict portions of the keypad that form no part of the claimed design. The dot-dashed broken lines represent boundaries of the claimed keypad and form no part of the claimed design.

**1 Claim, 8 Drawing Sheets**



(56)

References Cited

U.S. PATENT DOCUMENTS

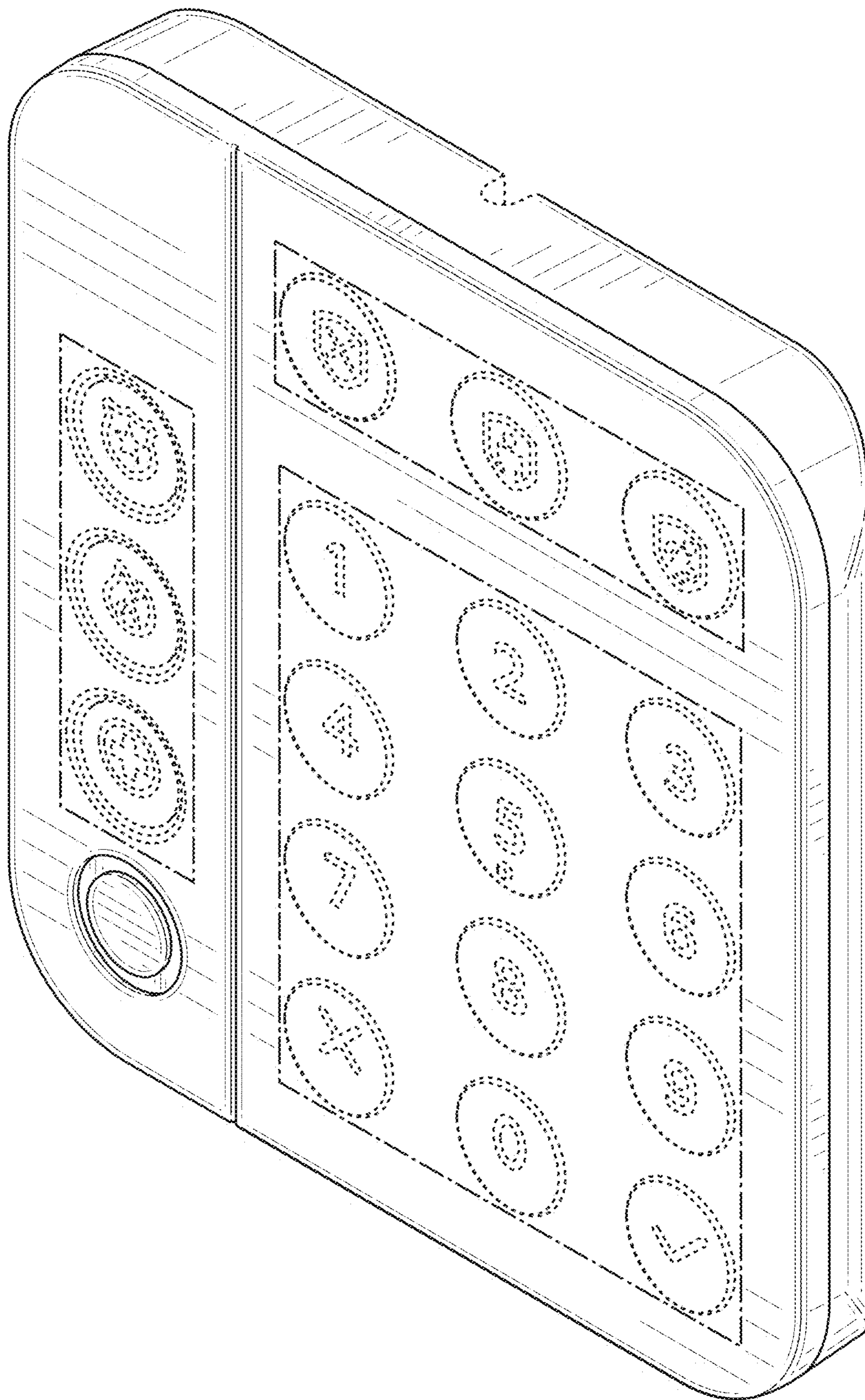
D415,133 S \* 10/1999 Mah ..... D14/299  
 D456,364 S \* 4/2002 Suen ..... D13/162  
 D456,365 S \* 4/2002 Suen ..... D13/164  
 D457,144 S \* 5/2002 Suen ..... D13/162  
 D489,722 S \* 5/2004 Matuschek ..... D14/388  
 D507,976 S \* 8/2005 Roher ..... D10/50  
 D541,800 S \* 5/2007 Ponnert ..... D14/388  
 D542,792 S \* 5/2007 Beamish ..... D14/388  
 D547,275 S \* 7/2007 Bonnaud ..... D13/168  
 D559,719 S \* 1/2008 Schaecken ..... D10/106.1  
 D614,145 S \* 4/2010 Arosio ..... D13/168  
 D633,910 S \* 3/2011 Cacioppo ..... D14/218  
 D645,045 S \* 9/2011 Cacioppo ..... D14/218  
 D673,153 S \* 12/2012 Bousfield ..... D14/385  
 D678,219 S \* 3/2013 Higashijima ..... D13/168  
 D678,795 S \* 3/2013 Saikawa ..... D10/108  
 D679,210 S \* 4/2013 Saikawa ..... D10/108  
 D680,972 S \* 4/2013 Hunter ..... D13/168  
 D699,613 S \* 2/2014 Ke ..... D10/106.95  
 D715,228 S \* 10/2014 Lee ..... D13/158  
 D718,720 S \* 12/2014 Rader ..... D13/162  
 D718,721 S \* 12/2014 Rader ..... D13/162  
 D741,269 S \* 10/2015 Bhattacharya ..... D13/162  
 D755,132 S \* 5/2016 Kashimoto ..... D13/168  
 D755,734 S \* 5/2016 Kashimoto ..... D13/168  
 D764,419 S \* 8/2016 Kashimoto ..... D13/168  
 D766,241 S \* 9/2016 Maletz ..... D14/399  
 D769,241 S \* 10/2016 Mazz ..... D14/341  
 D777,683 S \* 1/2017 Kashimoto ..... D13/168  
 D778,190 S \* 2/2017 VanDuyen ..... D10/104.1  
 D778,191 S \* 2/2017 VanDuyen ..... D10/104.1  
 D778,244 S \* 2/2017 Feldstein ..... D13/162  
 D778,245 S \* 2/2017 Feldstein ..... D13/162  
 D780,131 S \* 2/2017 Kashimoto ..... D13/168  
 D784,332 S \* 4/2017 Hsu ..... D14/383  
 D784,333 S \* 4/2017 Hsu ..... D14/383  
 D784,334 S \* 4/2017 Tehranchi ..... D14/383

D792,357 S \* 7/2017 Tehranchi ..... D13/164  
 D809,520 S \* 2/2018 Jou ..... D14/455  
 D813,868 S \* 3/2018 Jou ..... D14/390  
 D818,387 S \* 5/2018 Chen ..... D10/118.2  
 D822,005 S \* 7/2018 Goltche ..... D14/218  
 D822,022 S \* 7/2018 Huff ..... D14/385  
 D825,564 S \* 8/2018 Castle ..... D14/399  
 D827,455 S \* 9/2018 Farenski ..... D10/50  
 D828,816 S \* 9/2018 Spors ..... D13/162  
 D830,869 S \* 10/2018 Siminoff ..... D10/106.1  
 D844,570 S \* 4/2019 Kornacki ..... D13/162  
 D844,613 S \* 4/2019 Laurans ..... D14/399  
 D844,614 S \* 4/2019 Laurans ..... D14/399  
 D844,615 S \* 4/2019 Laurans ..... D14/399  
 D844,616 S \* 4/2019 Castle ..... D14/399  
 D849,742 S \* 5/2019 Siminoff ..... D14/399  
 D850,298 S \* 6/2019 Alcorn ..... D10/49  
 D858,523 S \* 9/2019 Siminoff ..... D14/399  
 D874,461 S \* 2/2020 Siminoff ..... D14/399  
 D875,569 S \* 2/2020 Swanson ..... D10/50  
 D877,157 S \* 3/2020 Tang ..... D14/455  
 D886,656 S \* 6/2020 Zaidi ..... D10/106.95  
 D898,685 S \* 10/2020 Zhang ..... D13/168  
 D902,206 S \* 11/2020 Laurans ..... D14/383  
 D902,207 S \* 11/2020 Laurans ..... D14/383  
 D906,145 S \* 12/2020 Siminoff ..... D10/106.1  
 D908,099 S \* 1/2021 Kornacki ..... D13/162

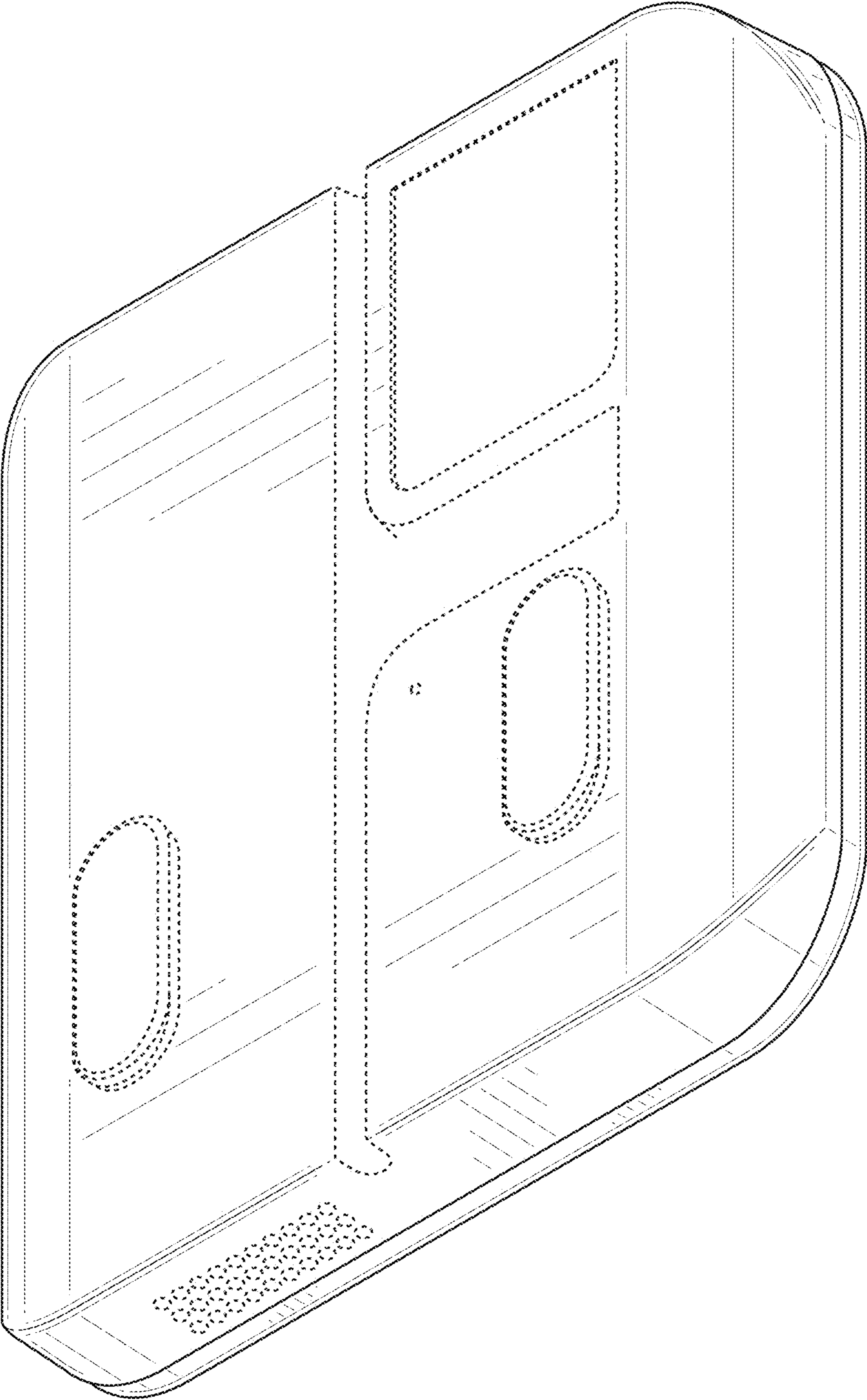
OTHER PUBLICATIONS

Wall-hanging-type tablet and keypad. (Design—© Questel) orbit.com. [online PDF of Foreign References selected by Examiner] 9 pgs. Print Dates range Sep. 2, 2015-Aug. 10, 2017 [Retrieved Feb. 23, 2021] <https://www.orbit.com/export/QPTUJ214/pdf2/b63cde04-5d7c-41e7-9d40-7cbea26818e2-230908.pdf>.  
 Chinese Office Action dated Aug. 27, 2020 for Chinese Patent Application No. 202030227101.9, a counterpart of U.S. Appl. No. 29/714,031, 1 page.

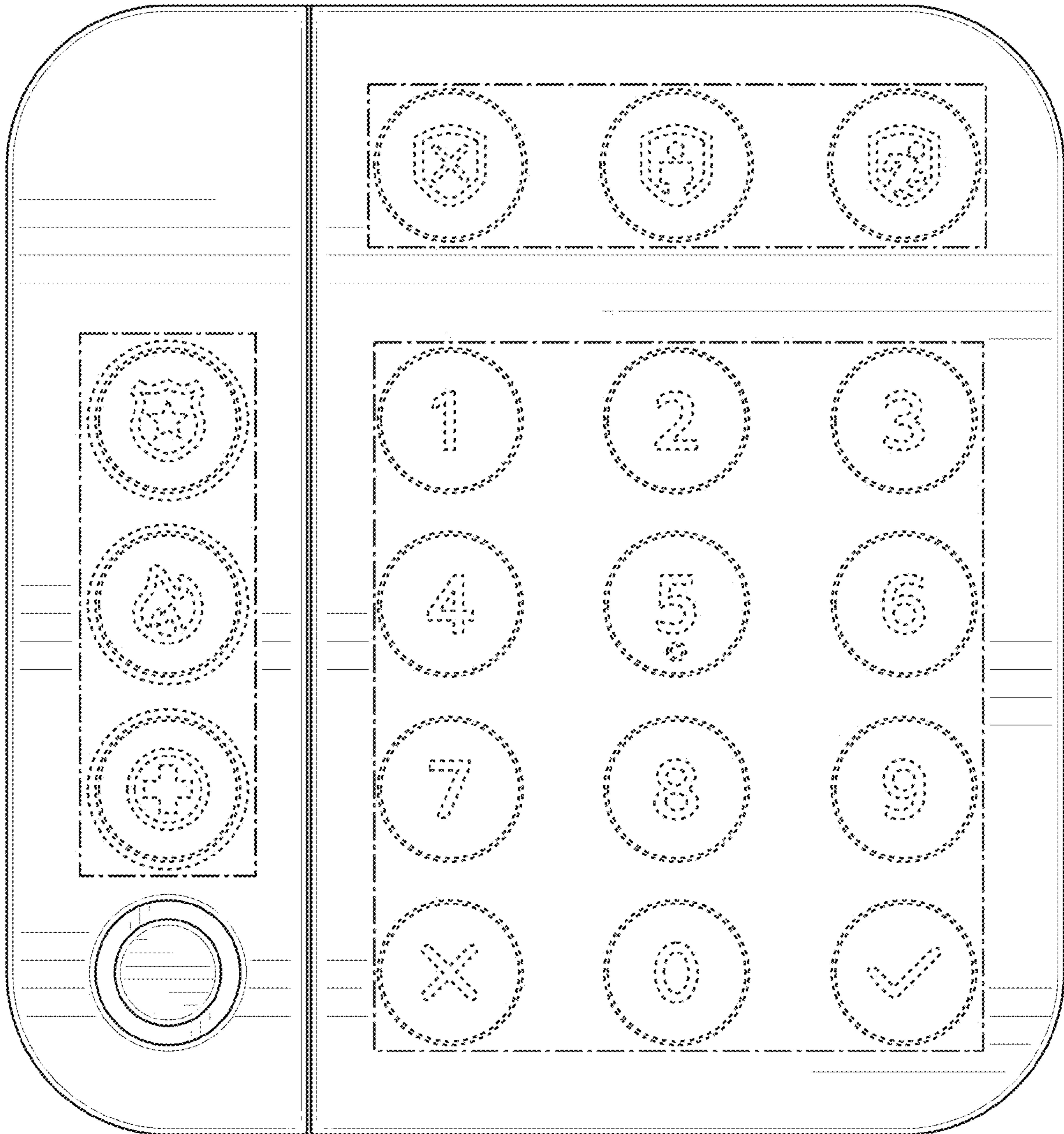
\* cited by examiner



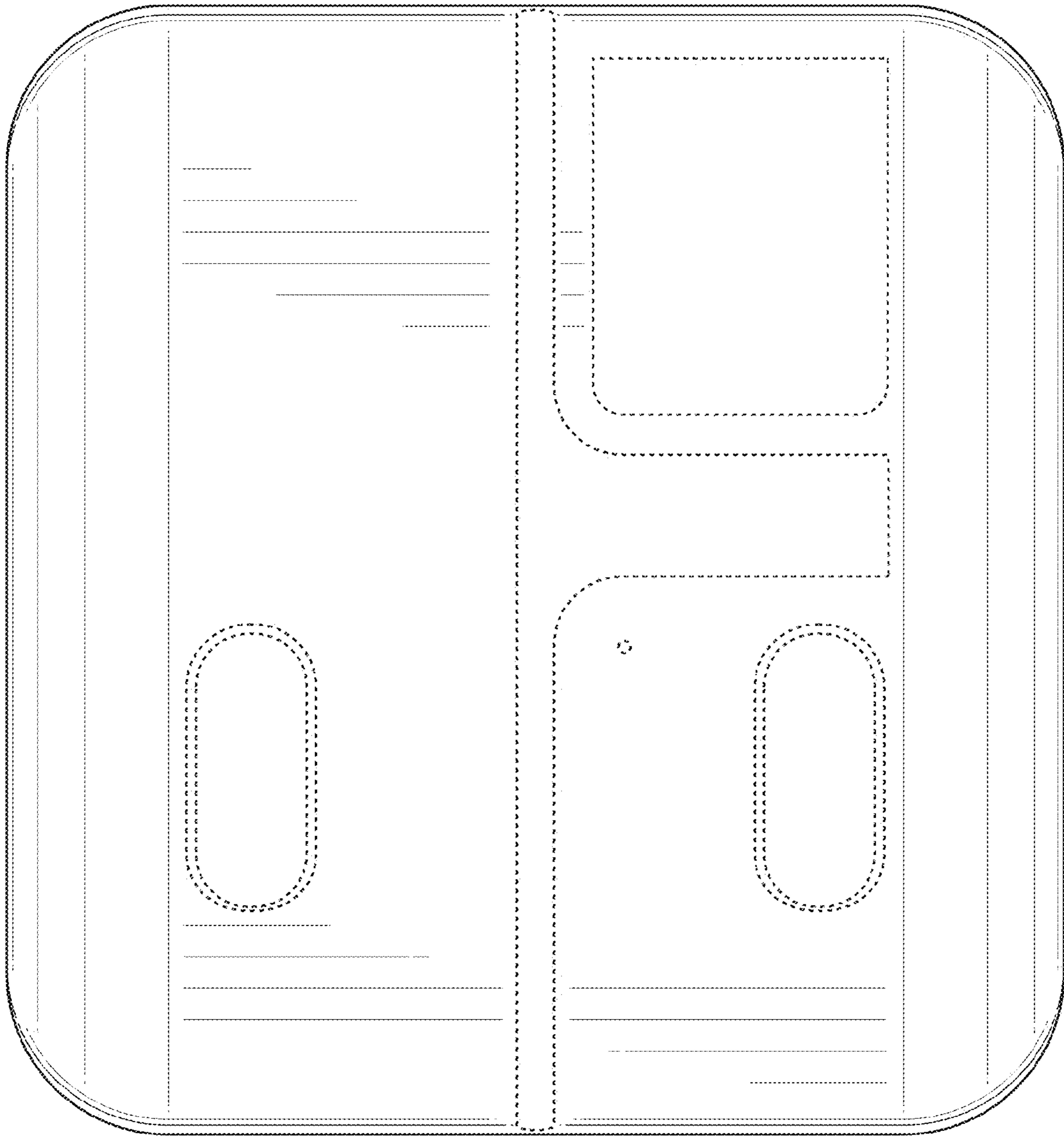
**FIG. 1**



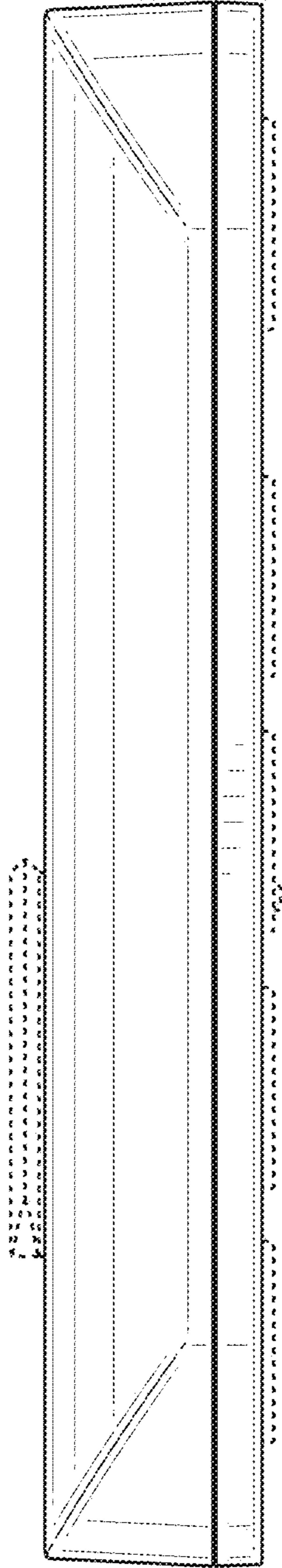
**FIG. 2**



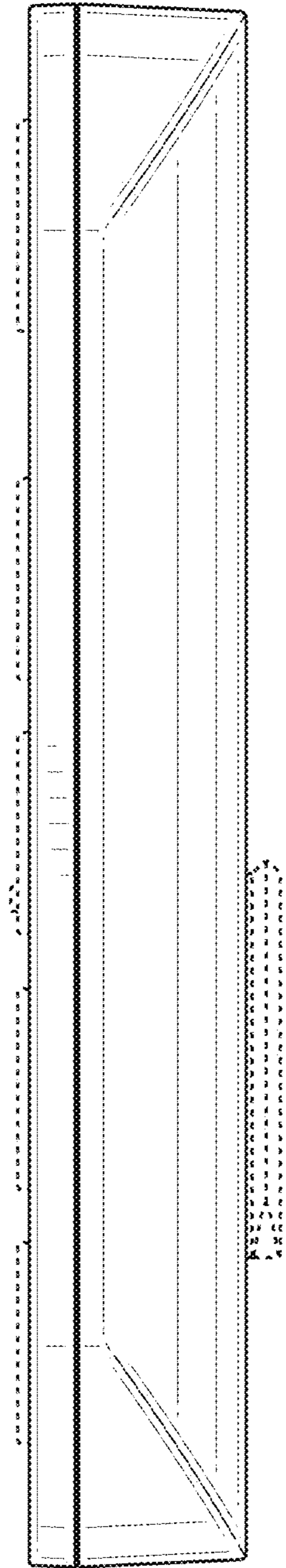
**FIG. 3**



**FIG. 4**

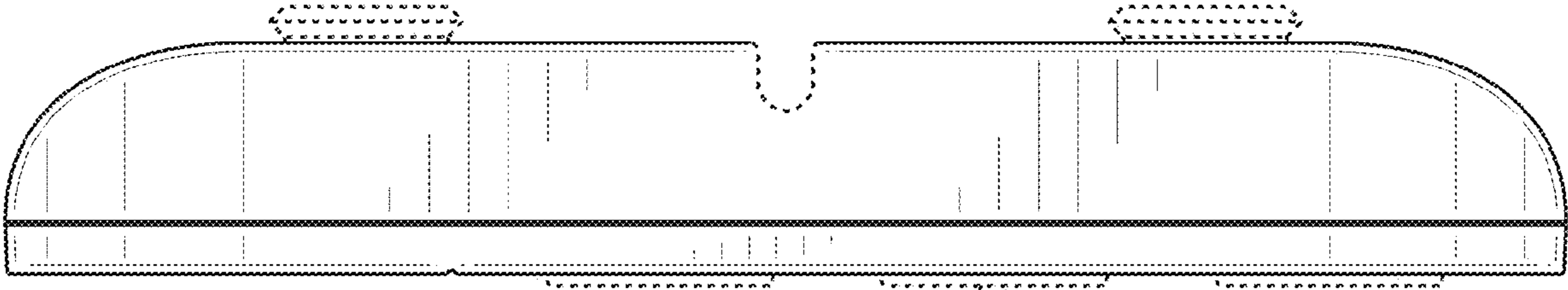


**FIG. 5**

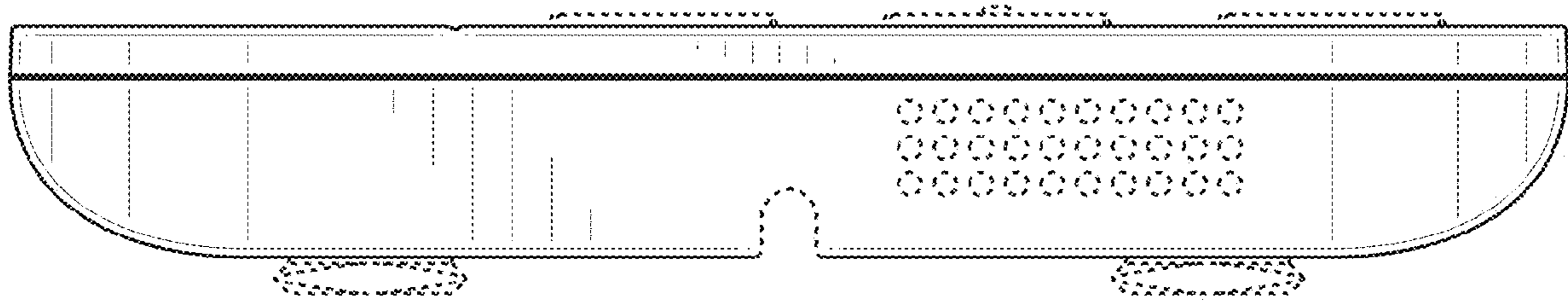


**FIG. 6**





**FIG. 7**



**FIG. 8**